



US00D424652S

**United States Patent** [19]  
**Minneman**

[11] **Patent Number: Des. 424,652**  
[45] **Date of Patent: \*\* May 9, 2000**

[54] **TARGET STAND**  
[75] Inventor: **Steven W. Minneman**, Clayton, Ohio  
[73] Assignee: **MTM Molded Products Company**,  
Dayton, Ohio  
[\*\*] Term: **14 Years**

5,058,302 10/1991 Minneman .  
5,067,683 11/1991 Wagner .  
5,145,133 9/1992 France .  
5,169,157 12/1992 Salmon .  
5,395,122 3/1995 Kraemer ..... 273/400  
5,553,717 9/1996 Minneman et al. .  
5,649,708 7/1997 Podlesny .  
5,860,534 1/1999 Minneman et al. .

[21] Appl. No.: **29/100,398**  
[22] Filed: **Feb. 10, 1999**

*Primary Examiner*—Louis S. Zarfes  
*Assistant Examiner*—Monica A. Weingart  
*Attorney, Agent, or Firm*—Jacox, Meckstroth & Jenkins

[51] **LOC (7) Cl.** ..... **22-04**  
[52] **U.S. Cl.** ..... **D22/113**; 100/199  
[58] **Field of Search** ..... D22/100, 113,  
D22/199; 237/407, 408, 409, 410; 473/415

[57] **CLAIM**  
The ornamental design for a target stand, as shown and described.

[56] **References Cited**  
U.S. PATENT DOCUMENTS  
D. 362,484 9/1995 Minneman et al. .  
D. 379,399 5/1997 Reinaker ..... D22/113  
2,538,118 1/1951 Miller ..... 273/407  
3,080,166 3/1963 Clark ..... 273/407  
3,602,504 8/1971 Chapman ..... 473/416  
4,029,318 6/1977 Boss .  
4,323,251 4/1982 Loveland et al. .  
4,811,956 3/1989 Foreman .  
4,913,389 4/1990 McCracken .

**DESCRIPTION**

FIG. 1 is a perspective view of the target stand;  
FIG. 2 is a right-side view of the target stand;  
FIG. 3 is a left-side view of the target stand.  
FIG. 4 is a rear view of the target stand;  
FIG. 5 is a top view of the target stand; and,  
FIG. 6 is a bottom view of the target stand.  
The broken line showing of a target in FIG. 1 of the drawing is for illustrative purposes only and forms no part of the claimed design.

**1 Claim, 2 Drawing Sheets**

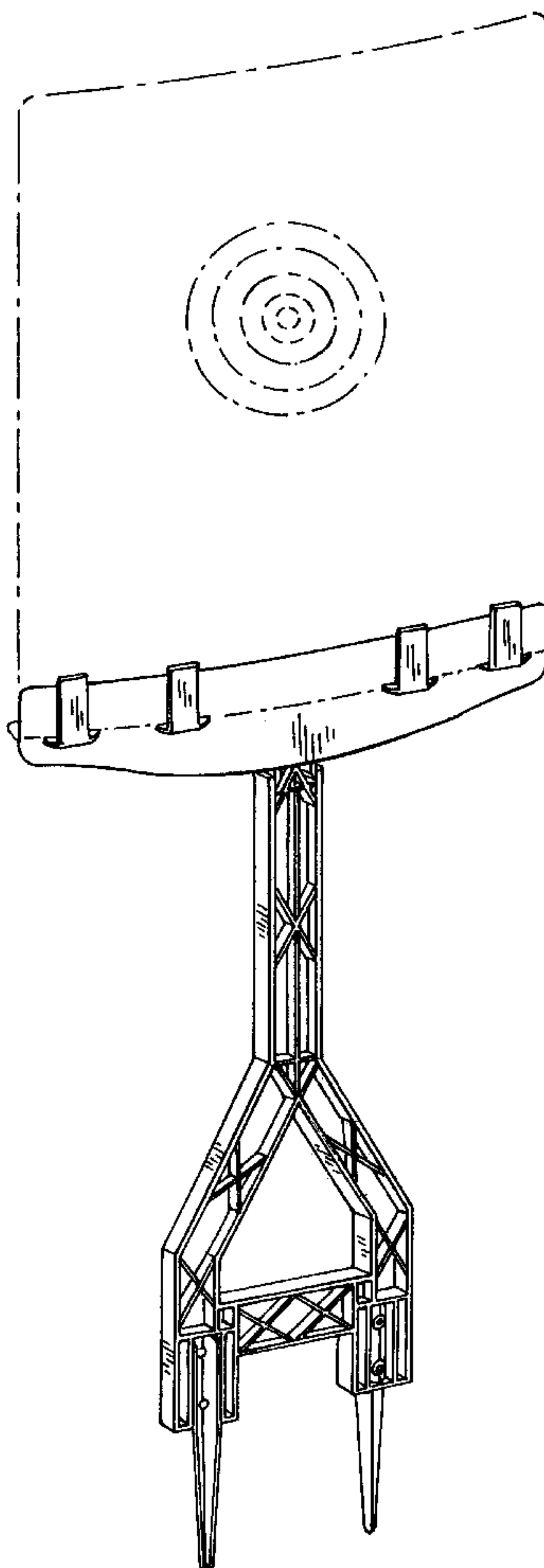


FIG-1

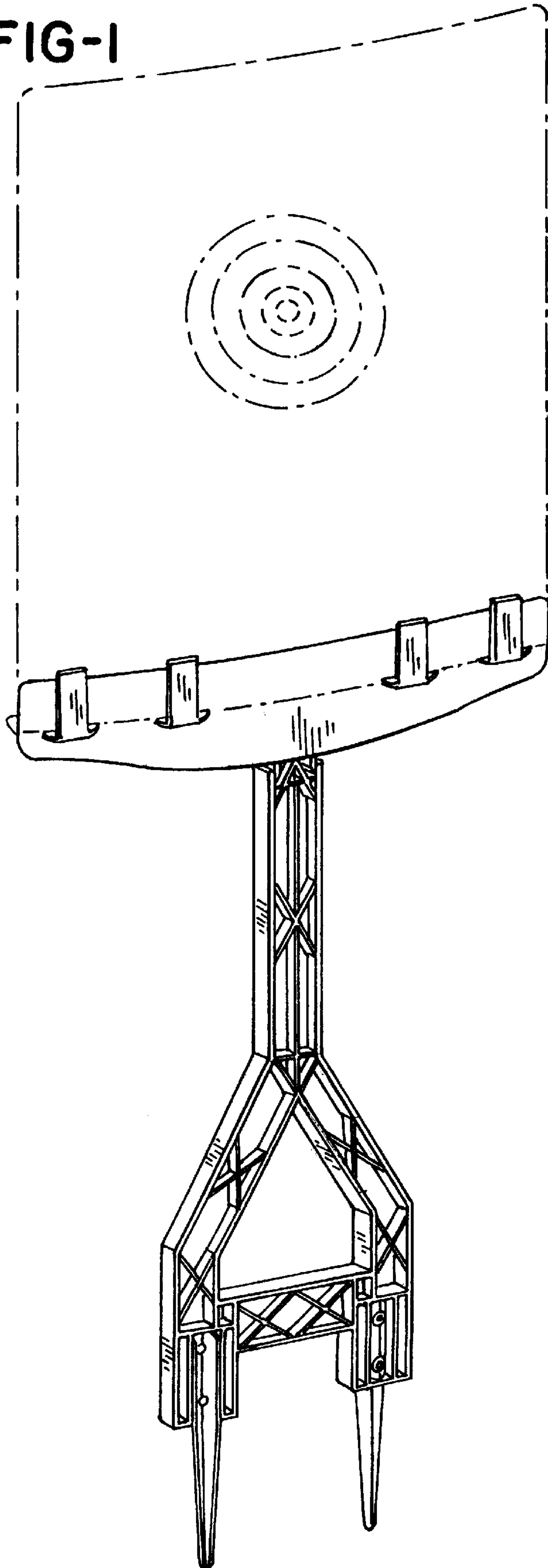


FIG-2

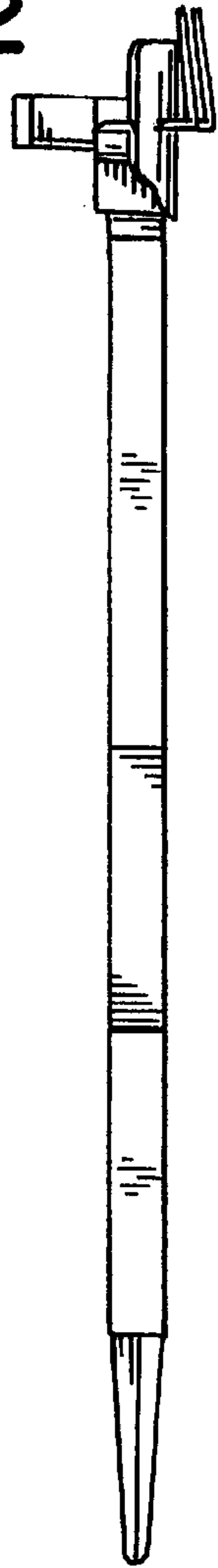


FIG-3

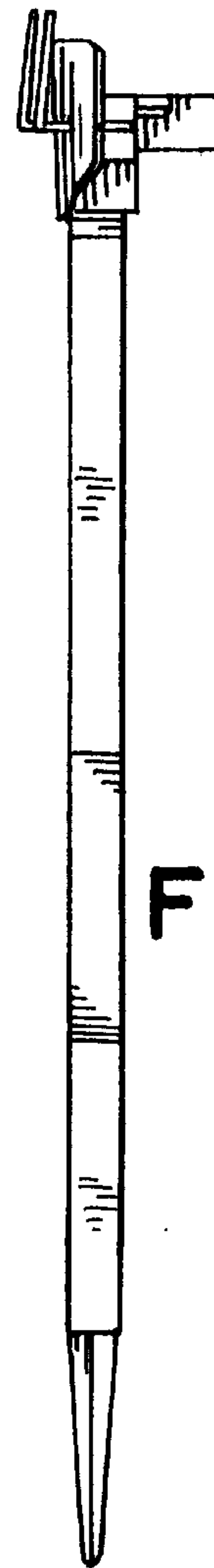


FIG-4

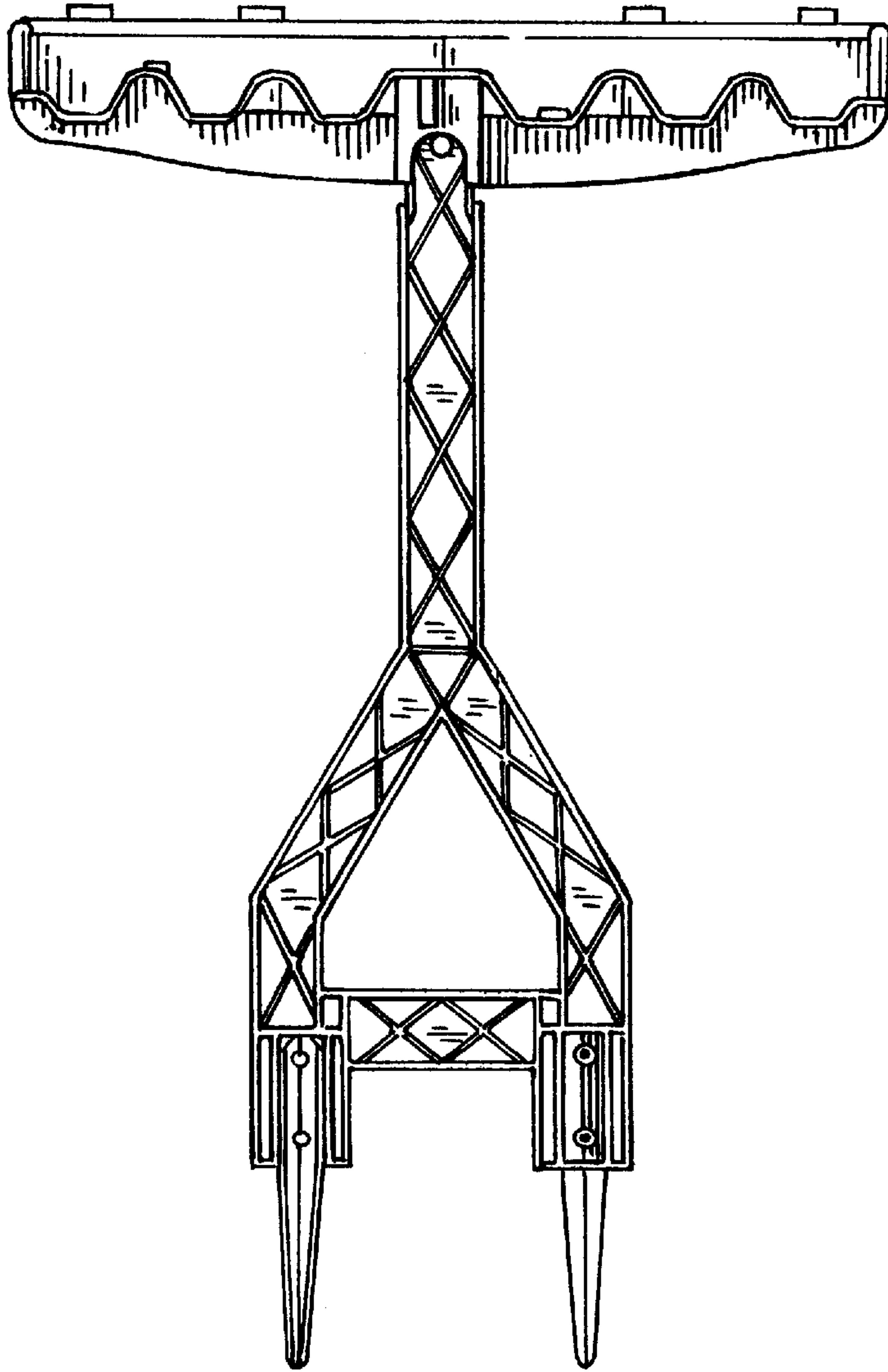


FIG-5

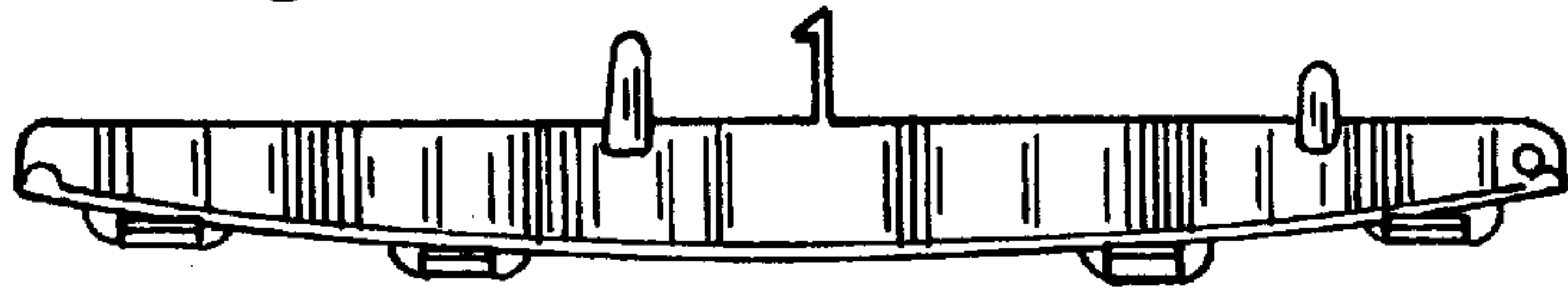


FIG-6

