



US00D424651S

**United States Patent** [19]  
**Primeau, IV**

[11] **Patent Number: Des. 424,651**  
[45] **Date of Patent: \*\* May 9, 2000**

[54] **THERMALLY DISSIPATING TACTICAL MOUNT FOR FIREARM ACCESSORIES AND DEVICES**

[76] Inventor: **Daniel F Primeau, IV**, 5605 Kraus Rd., Clarence, N.Y. 14031

[\*\*] Term: **14 Years**

[21] Appl. No.: **29/099,882**

[22] Filed: **Jan. 29, 1999**

[51] **LOC (7) Cl.** ..... **22-01**

[52] **U.S. Cl.** ..... **D22/110; D22/100; D22/108; D22/109; D22/199**

[58] **Field of Search** ..... **D22/100, 108, D22/109, 110, 199; 42/90, 94, 96, 97, 100**

[56] **References Cited**

**U.S. PATENT DOCUMENTS**

D. 281,804	12/1985	Bechtel	.....	D22/108
D. 331,443	12/1992	Bechtel	.....	D22/110
D. 406,632	3/1999	Edgar	.....	D22/110
D. 411,868	7/1999	Herrick	.....	D22/109
D. 415,239	10/1999	Fell et al.	.....	D22/110
2,073,755	3/1937	Poate	.....	42/97
5,671,561	9/1997	Johnson et al.	.....	42/100 X

*Primary Examiner*—Louis S. Zarfaz  
*Assistant Examiner*—Monica A. Weingart  
*Attorney, Agent, or Firm*—Kellie Muffoletto Ulrich

[57] **CLAIM**

The ornamental design for thermally dissipating tactical mount for firearm accessories and devices, as shown and described.

**DESCRIPTION**

FIG. 1 is a three quarter view of my new design.

FIG. 2 is a three quarter view of my new design broken into components and shown in an exploded view.

FIG. 3 is a front view of the subcomponents of my new design as unassembled.

FIG. 4 is a front view of the subcomponents of my new design as assembled.

FIG. 5 is a top view of the subcomponents of my new design as assembled.

FIG. 6 is a rear view of the subcomponents of my new design as assembled.

FIG. 7 is a bottom view of the subcomponents of my new design as assembled.

FIG. 8 is an interior view of the left side plate subcomponent of my new design.

FIG. 9 is an interior view of the right side plate subcomponent of my new design.

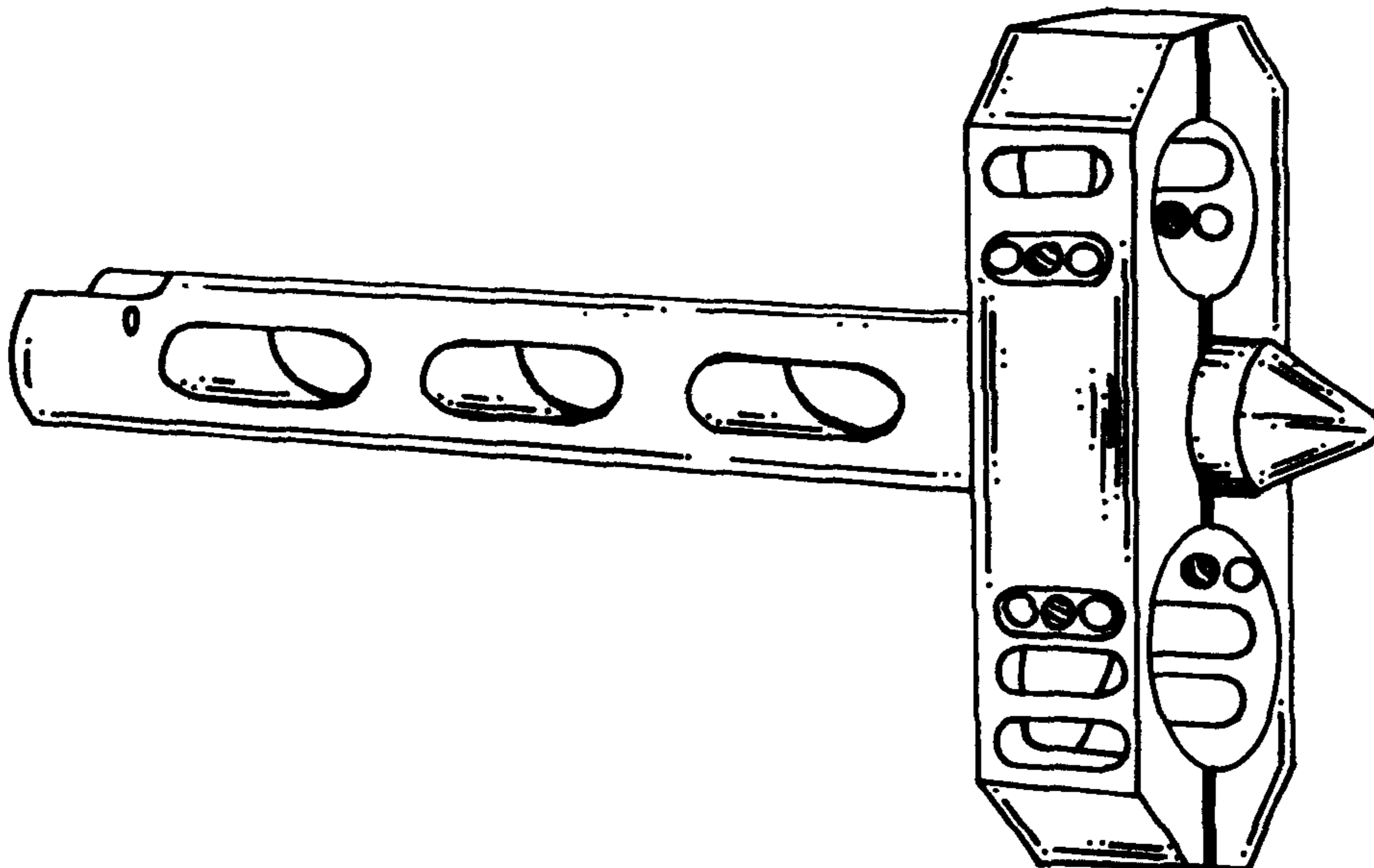
FIG. 10 is an outside view of the left side plate of my new design.

FIG. 11 is an outside view of the right side plate of my new design; and,

FIG. 12 is a side view of the anchor subcomponent of my new design.

A thermally dissipating tactical mount for firearm accessories and devices comprised of a right side plate, a left side plate and an anchor.

**1 Claim, 4 Drawing Sheets**



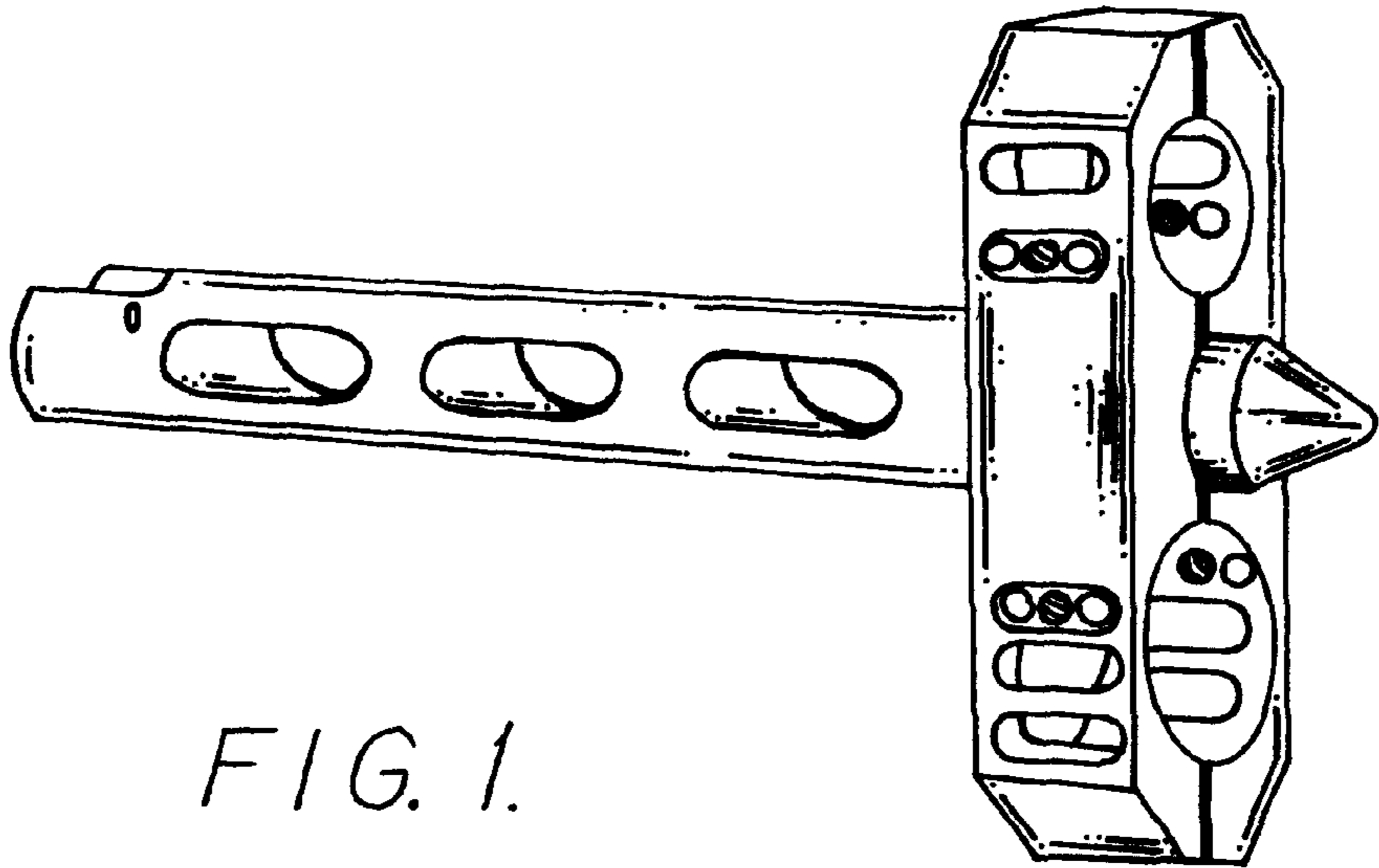


FIG. 1.

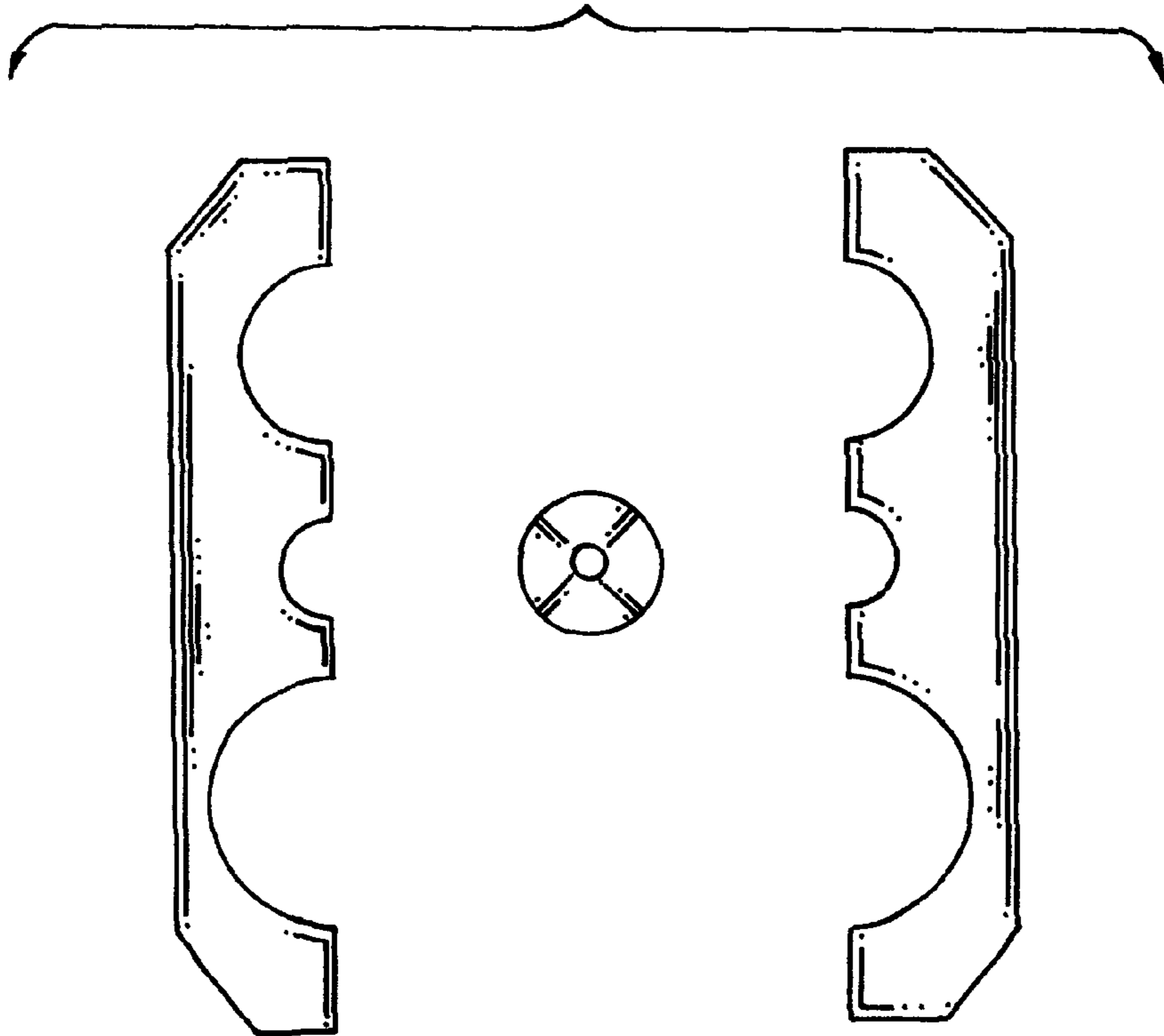


FIG. 3.

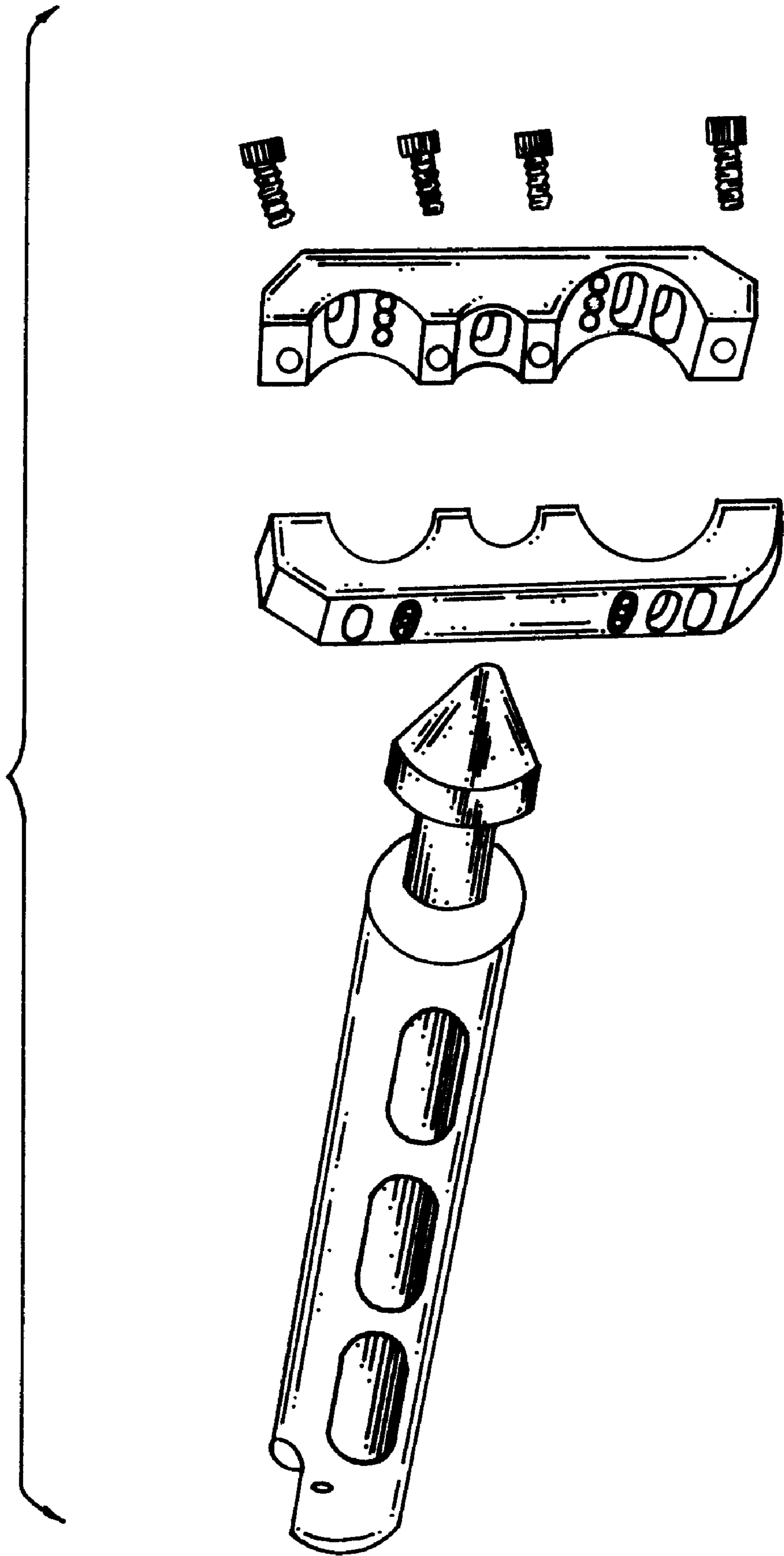


FIG. 2.

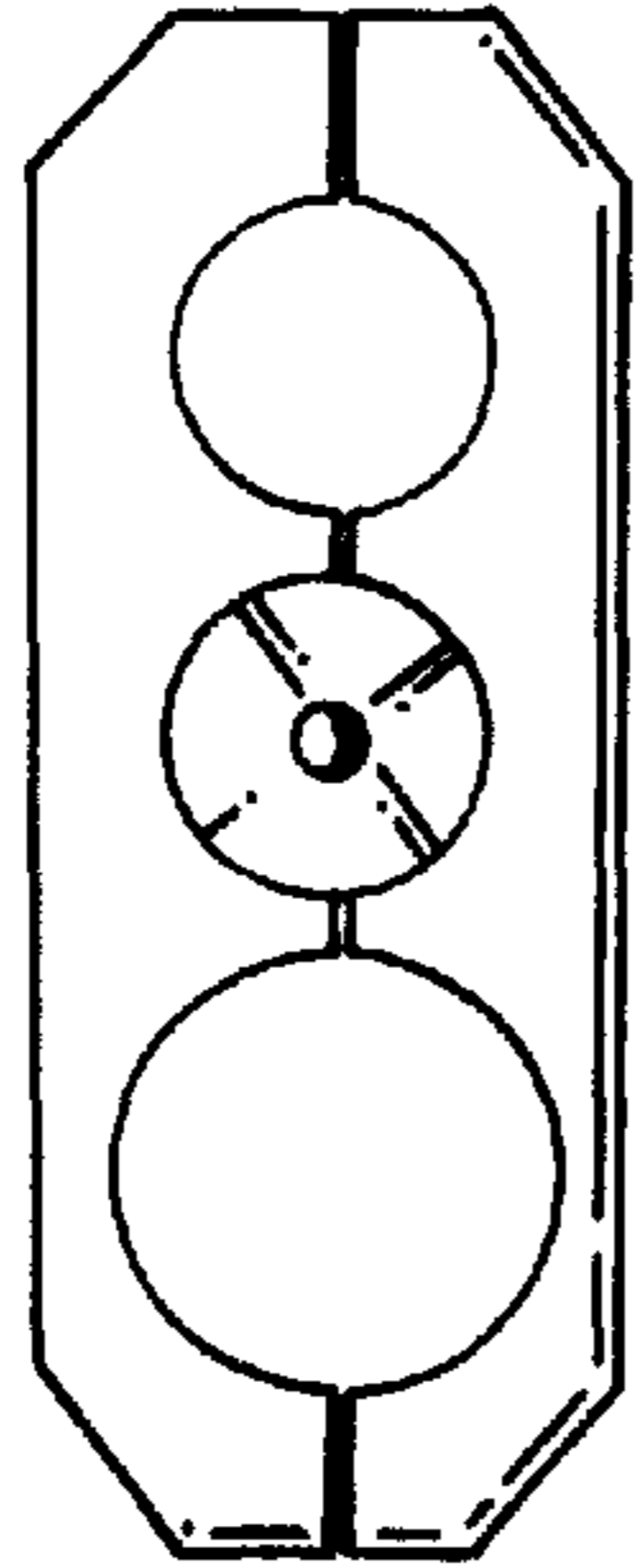


FIG. 4.

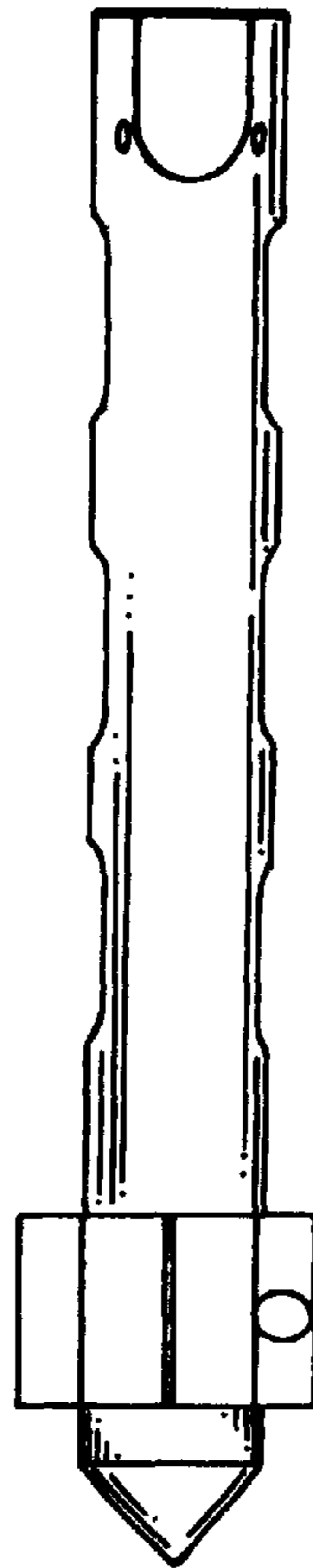


FIG. 5.

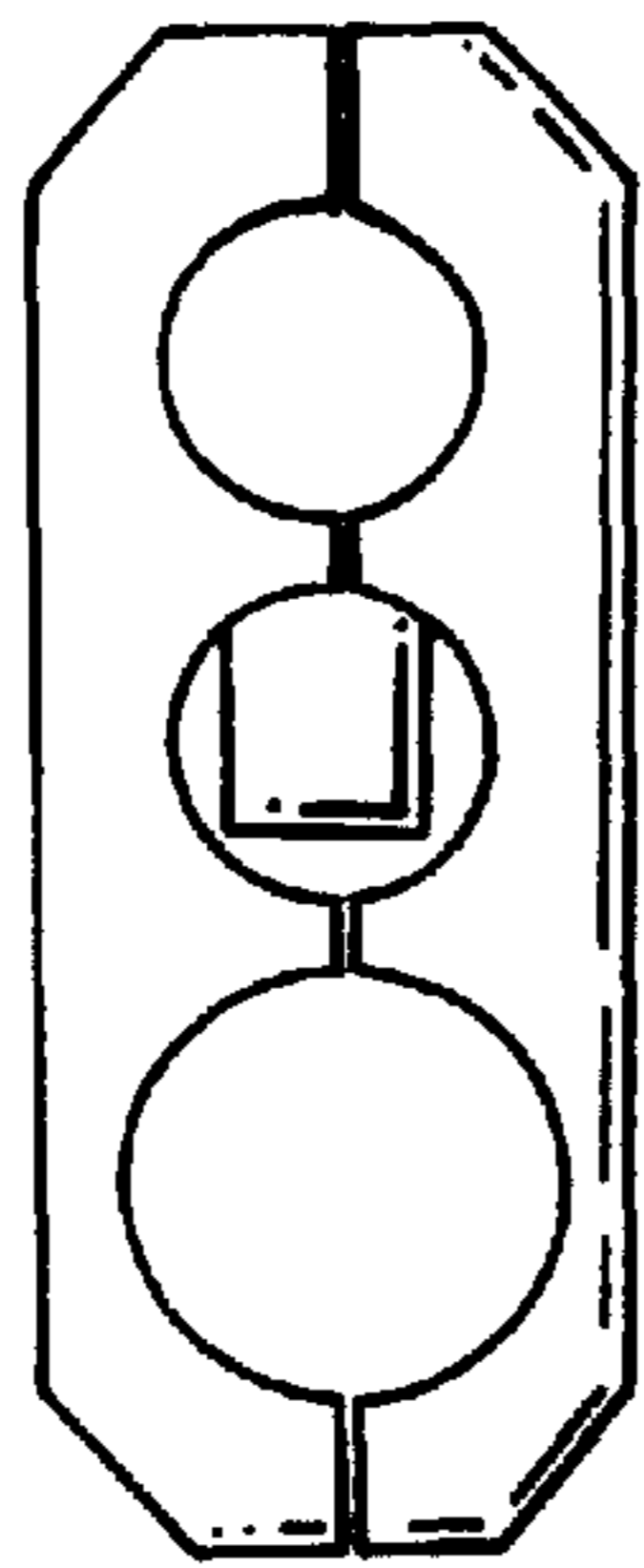


FIG. 6.

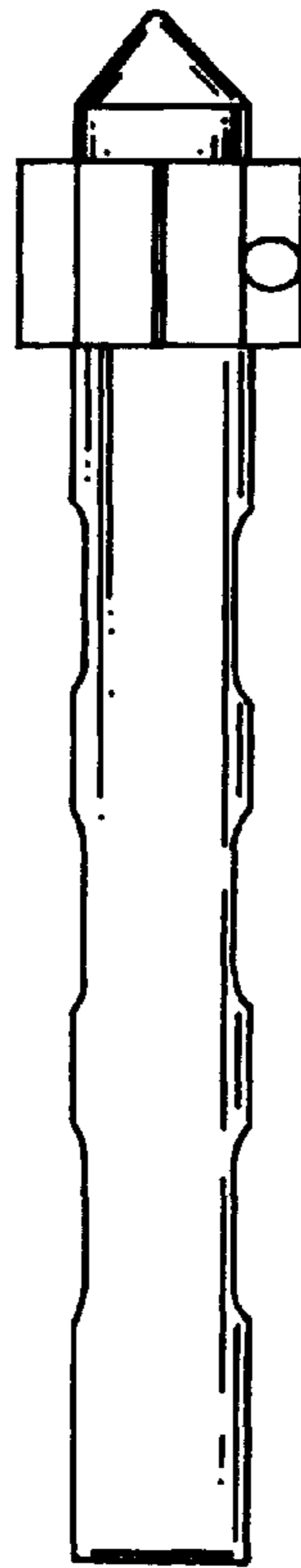


FIG. 7.

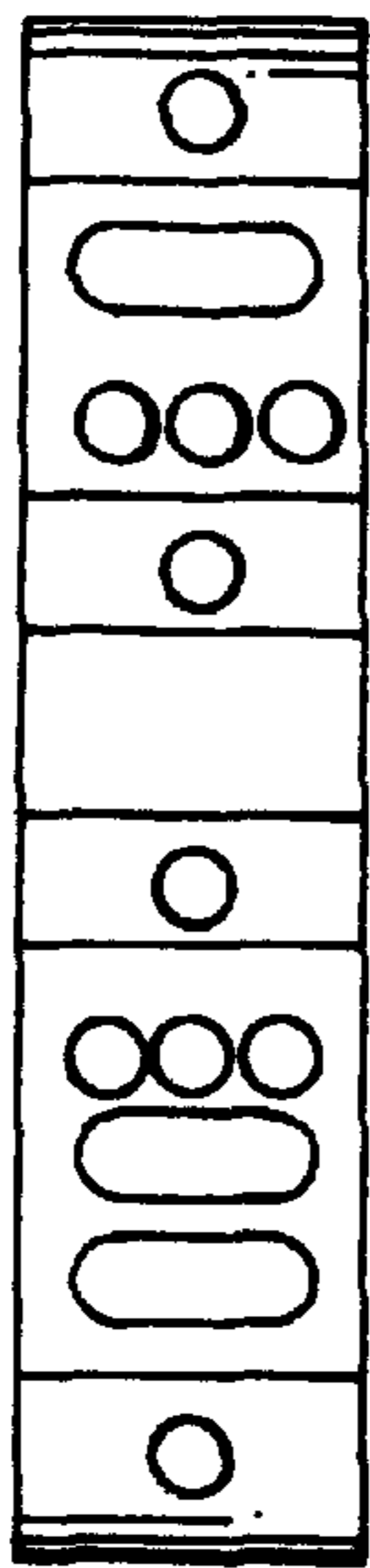


FIG. 8.

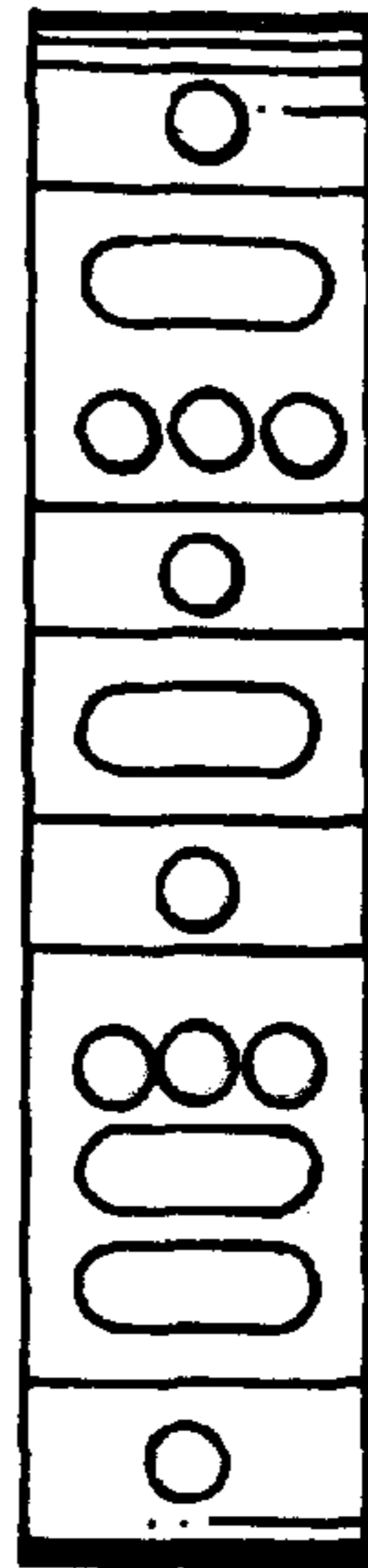


FIG. 9.

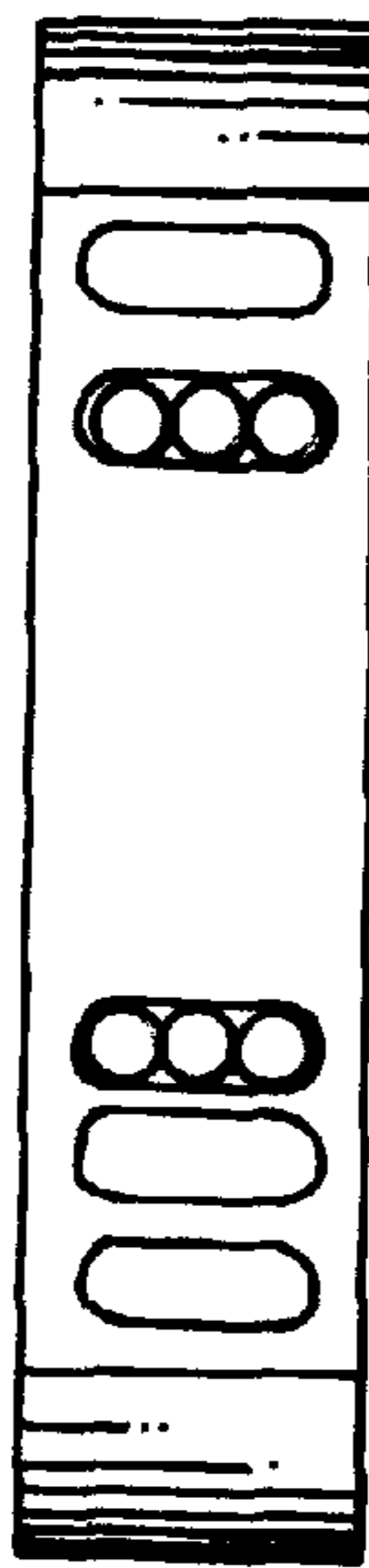


FIG. 10.

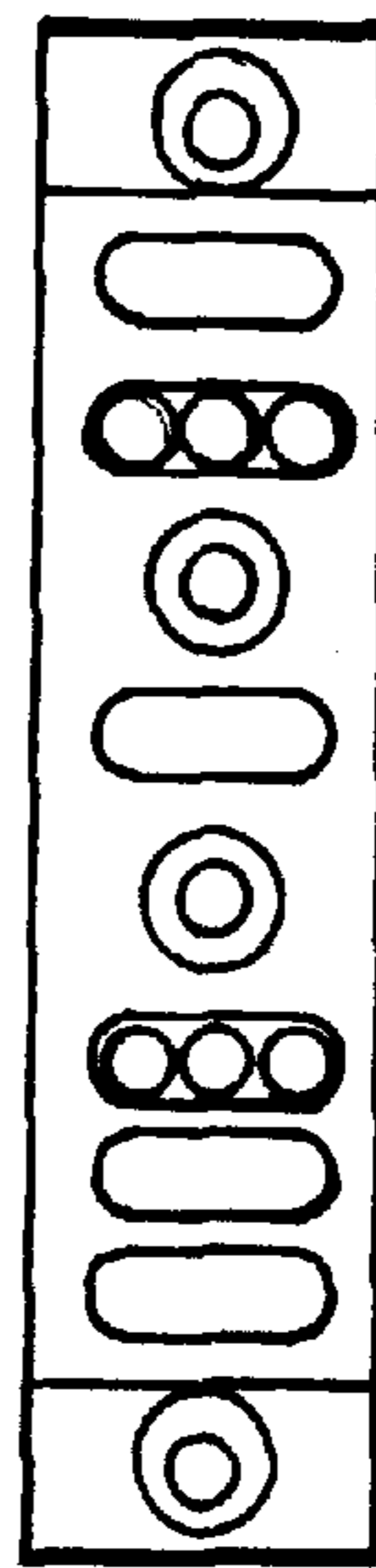


FIG. 11.

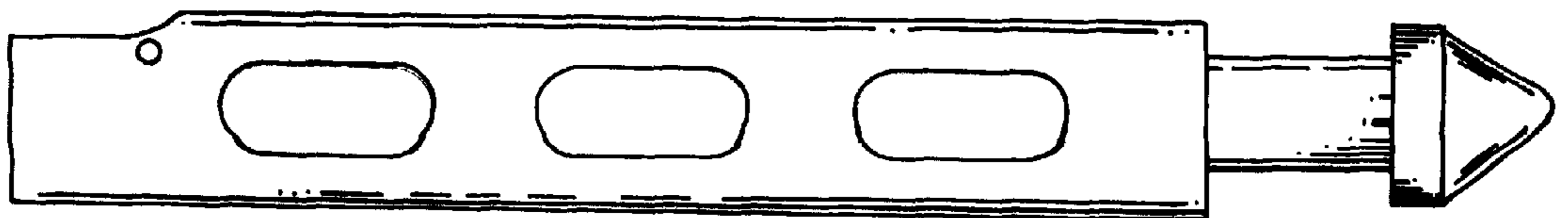


FIG. 12.