



US00D424650S

United States Patent [19]
Reichow

[11] **Patent Number: Des. 424,650**

[45] **Date of Patent: ** May 9, 2000**

[54] **TRUNNION LOAD CELL**

[75] Inventor: **Keith W. Reichow**, Kent, Wash.

[73] Assignee: **Stress-Tek, Inc.**, Kent, Wash.

[**] Term: **14 Years**

[21] Appl. No.: **29/097,323**

[22] Filed: **Dec. 4, 1998**

[51] **LOC (7) Cl.** **22-01**

[52] **U.S. Cl.** **D22/108; D22/100; D22/199**

[58] **Field of Search** **D22/100, 108, D22/199; 89/37.07, 40.09, 40.11**

[56] **References Cited**

U.S. PATENT DOCUMENTS

378,282	2/1888	Brankston	89/37.07
670,735	3/1901	Sachs	89/37.07
1,161,501	11/1915	Messinger	89/37.07
1,475,186	11/1923	Joyce	89/37.07
2,564,568	8/1951	Franklin	89/37.07
5,062,347	11/1991	Allais et al.	89/37.07

Primary Examiner—Louis S. Zarfes
Assistant Examiner—Monica A. Weingart
Attorney, Agent, or Firm—Jensen & Puntigam, P.S.

[57] **CLAIM**

The ornamental design for a trunnion load cell, as shown and described.

DESCRIPTION

FIG. 1 is a perspective view of the trunnion load cell showing my new design;

FIG. 2 is an elevational view of one side of the new design of FIG. 1;

FIG. 3 is a side elevational view of the new design, opposite to the side of FIG. 2;

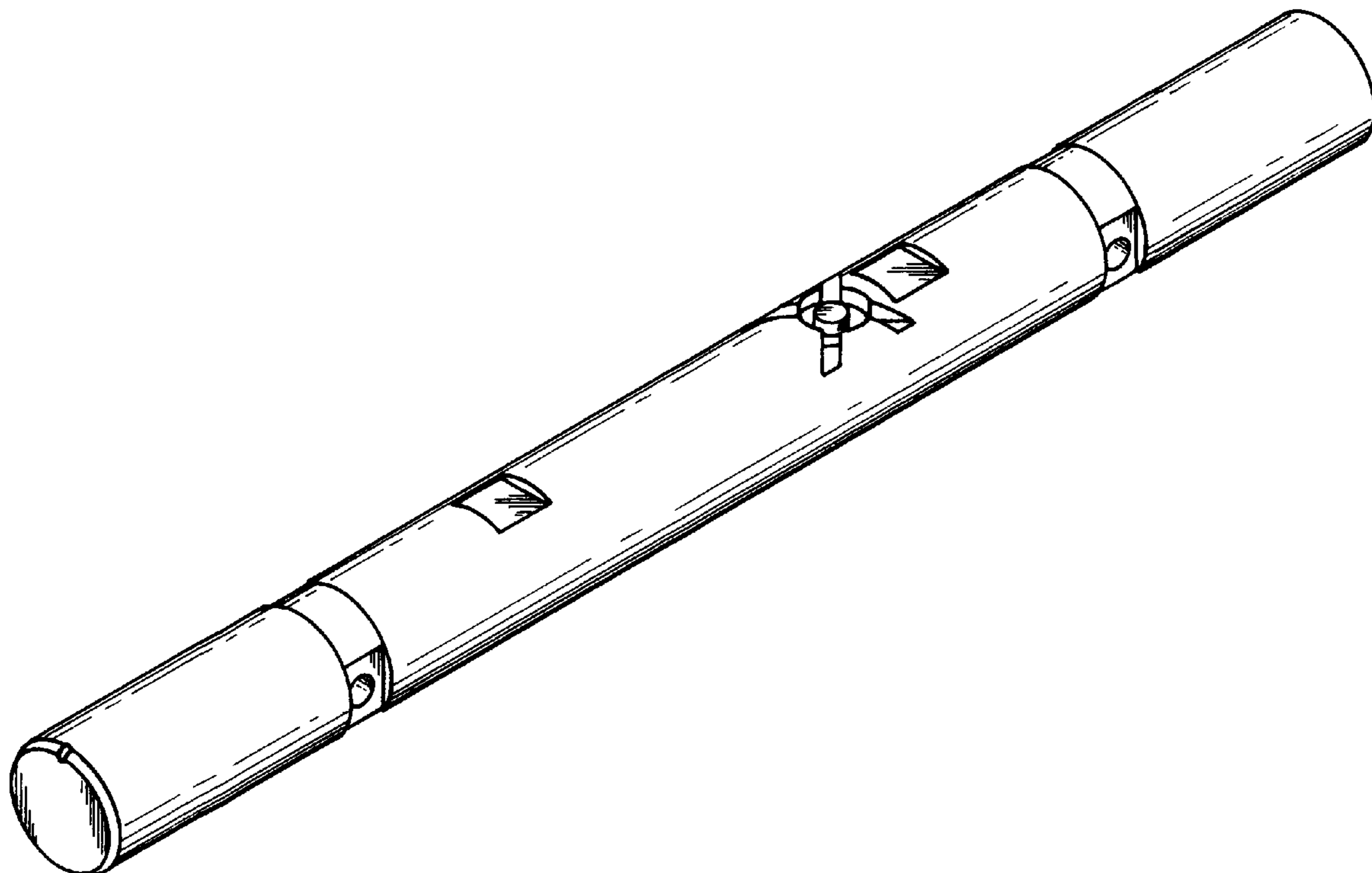
FIG. 4 is a top plan view of the new design;

FIG. 5 is a bottom view of the new design; and,

FIG. 6 is an end view of the new design, the other end being identical thereto.

FIGS. 2–5 have been shown broken away for ease of illustration.

1 Claim, 2 Drawing Sheets



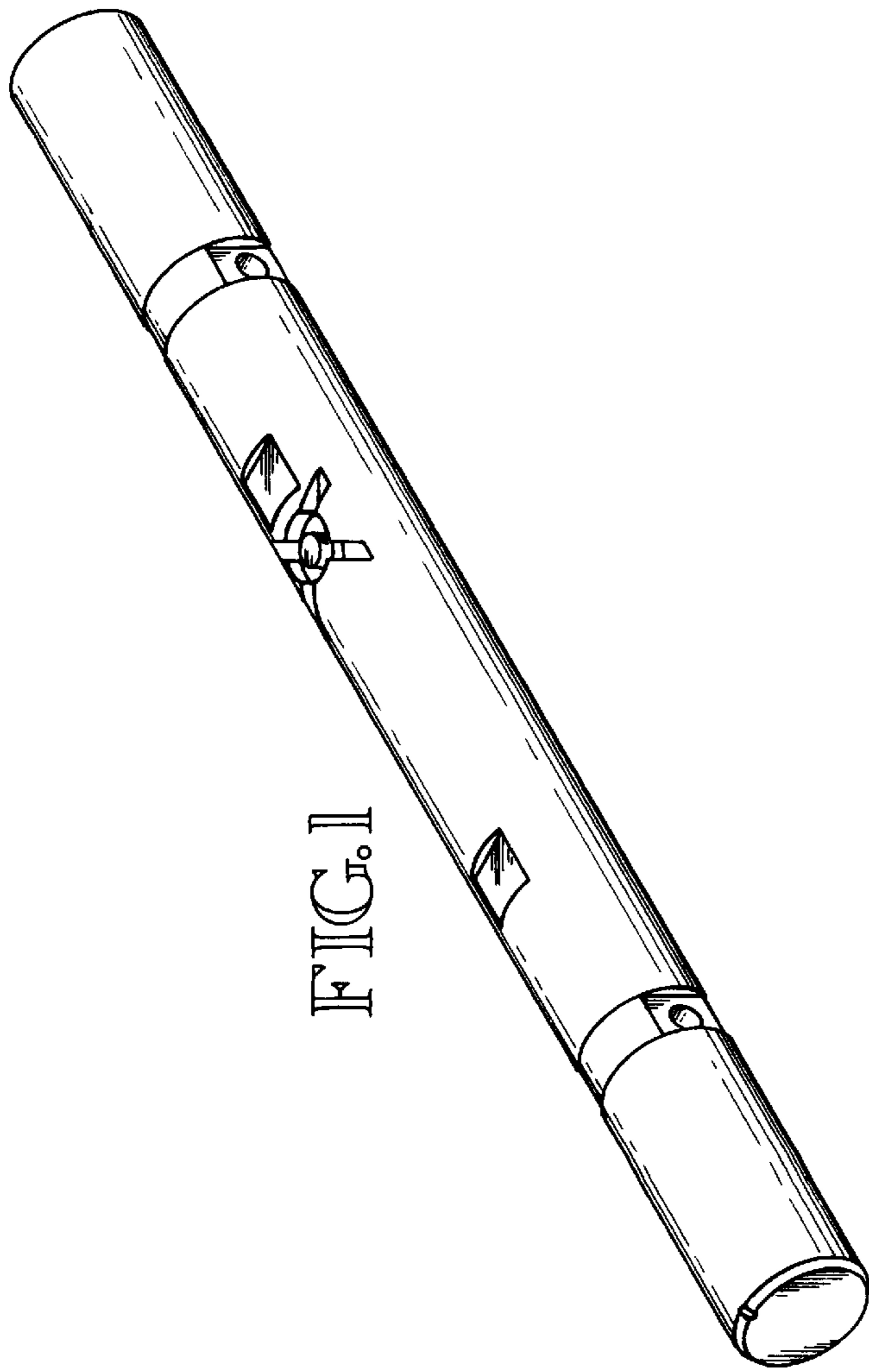


FIG. 1

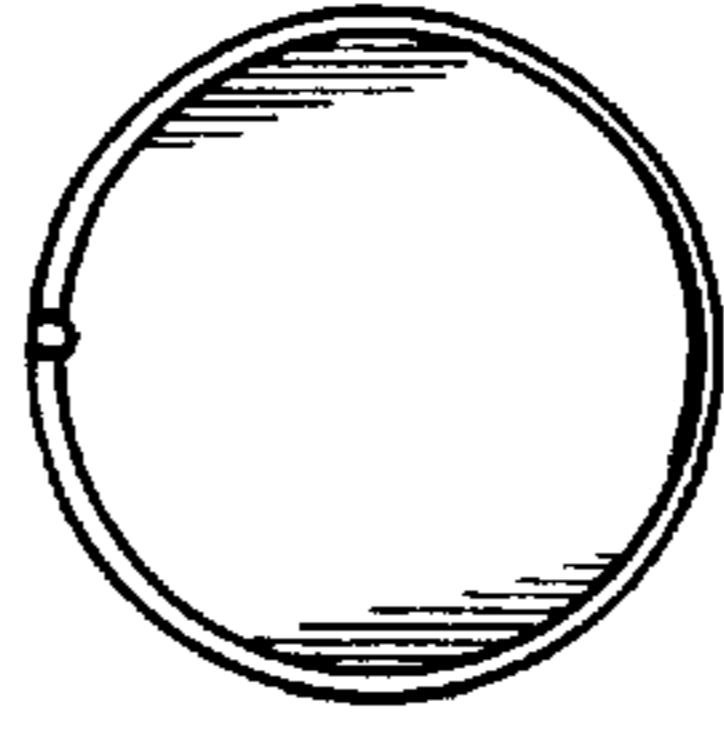


FIG. 6

FIG. 2

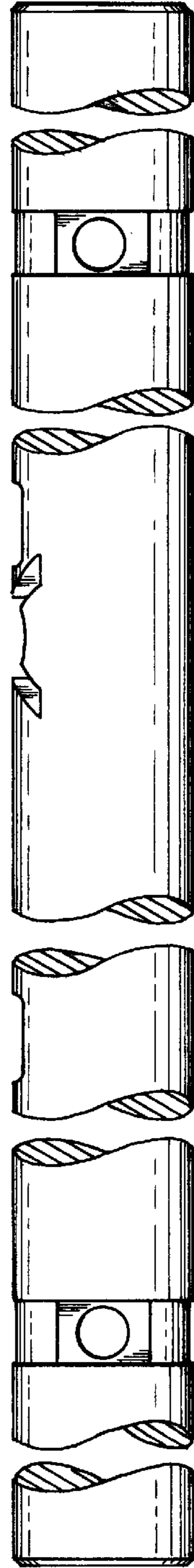


FIG. 3

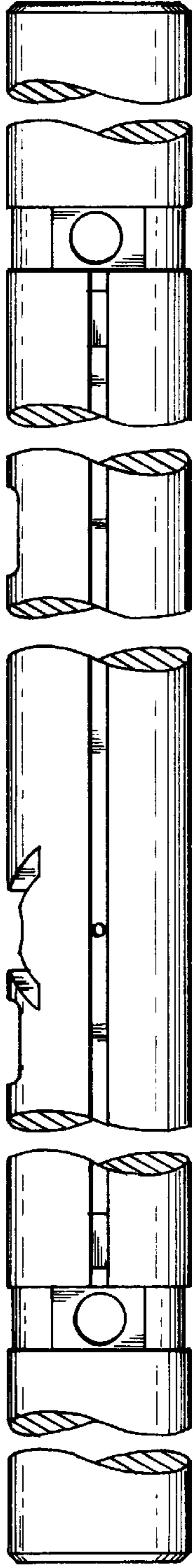


FIG. 4

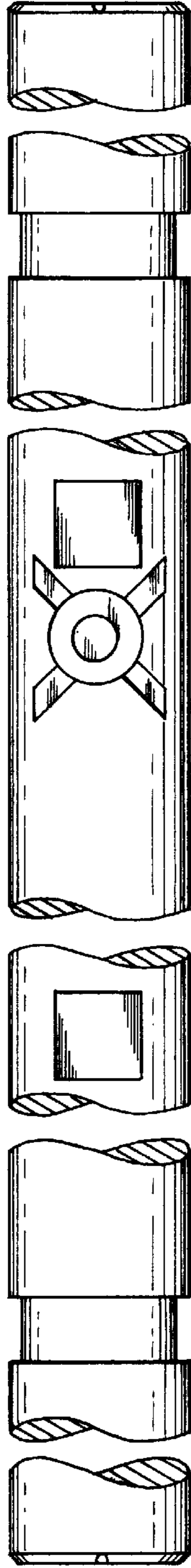


FIG. 5

