



US00D424645S

United States Patent [19]
McClaskey

[11] **Patent Number: Des. 424,645**

[45] **Date of Patent: ** May 9, 2000**

[54] **WAKEBOARD**

[76] **Inventor: Darryl W. McClaskey**, 12552 Hinton Way, Santa Ana, Calif. 92705

[**] **Term: 14 Years**

[21] **Appl. No.: 29/086,275**

[22] **Filed: Apr. 9, 1998**

[51] **LOC (7) Cl. 21-02**

[52] **U.S. Cl. D21/770; D21/769**

[58] **Field of Search D21/770, 769, D21/760; 441/65-79**

[56] **References Cited**

U.S. PATENT DOCUMENTS

- D. 199,470 10/1964 Ziff D21/770
- D. 290,151 6/1987 Cashmere D21/769
- 5,116,269 5/1992 Moran 441/65

Primary Examiner—Kay H. Chin
Attorney, Agent, or Firm—Charles C. Logan, II

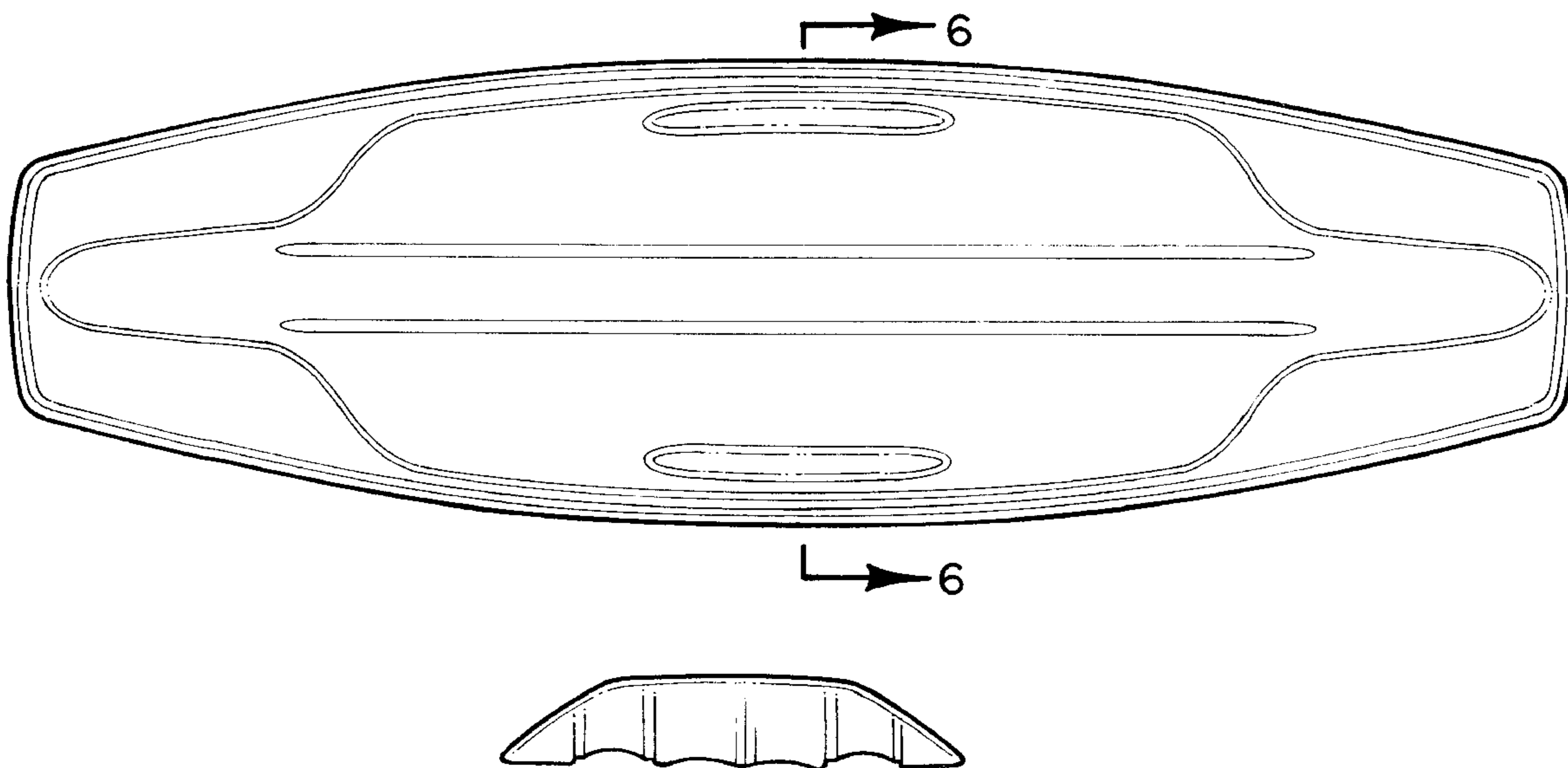
[57] **CLAIM**

The ornamental design for a wakeboard, as shown and described.

DESCRIPTION

FIG. 1 is a top plan view of the novel wakeboard showing my new design;
 FIG. 2 is a left side elevation view thereof and the right side elevation view is identical but reversed;
 FIG. 3 is a front end elevation view thereof;
 FIG. 4 is a rear end elevation view thereof;
 FIG. 5 is a bottom plan view thereof; and,
 FIG. 6 is a cross sectional view taken along lines 6—6 of FIG. 1.

1 Claim, 2 Drawing Sheets



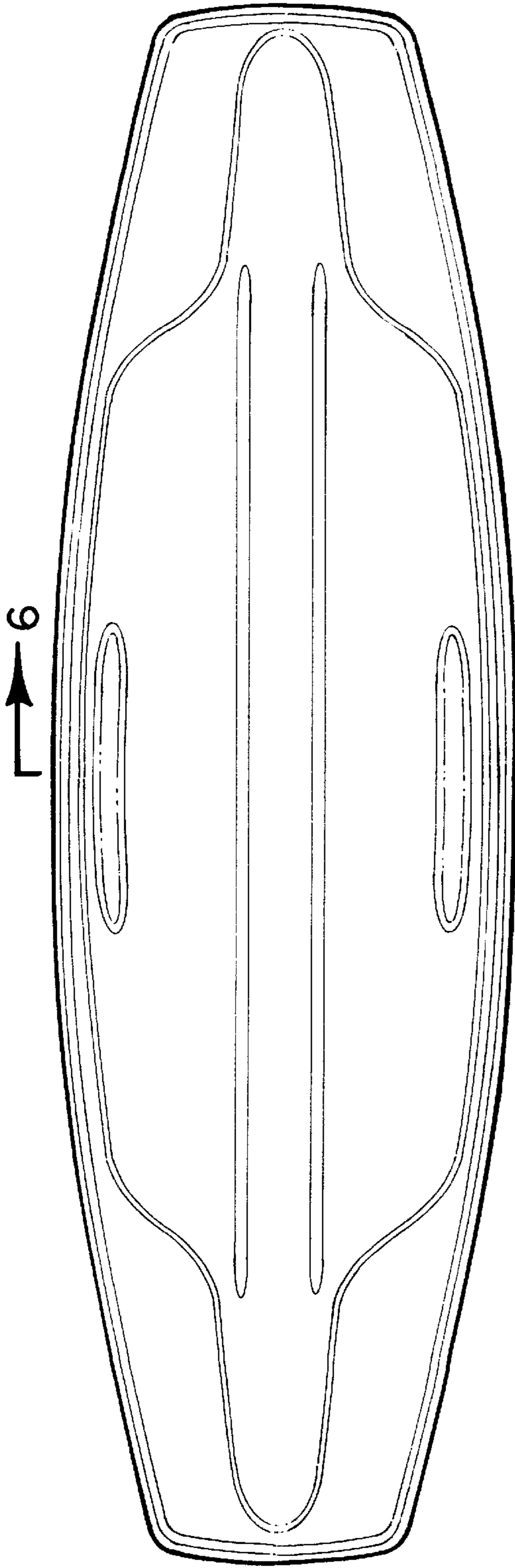


FIG. 1



FIG. 2

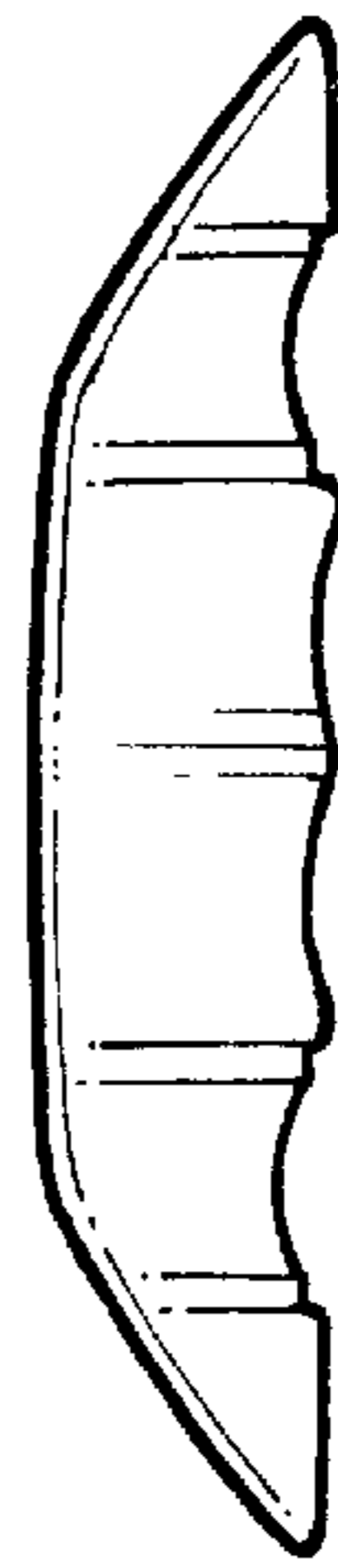


FIG. 3



FIG. 4

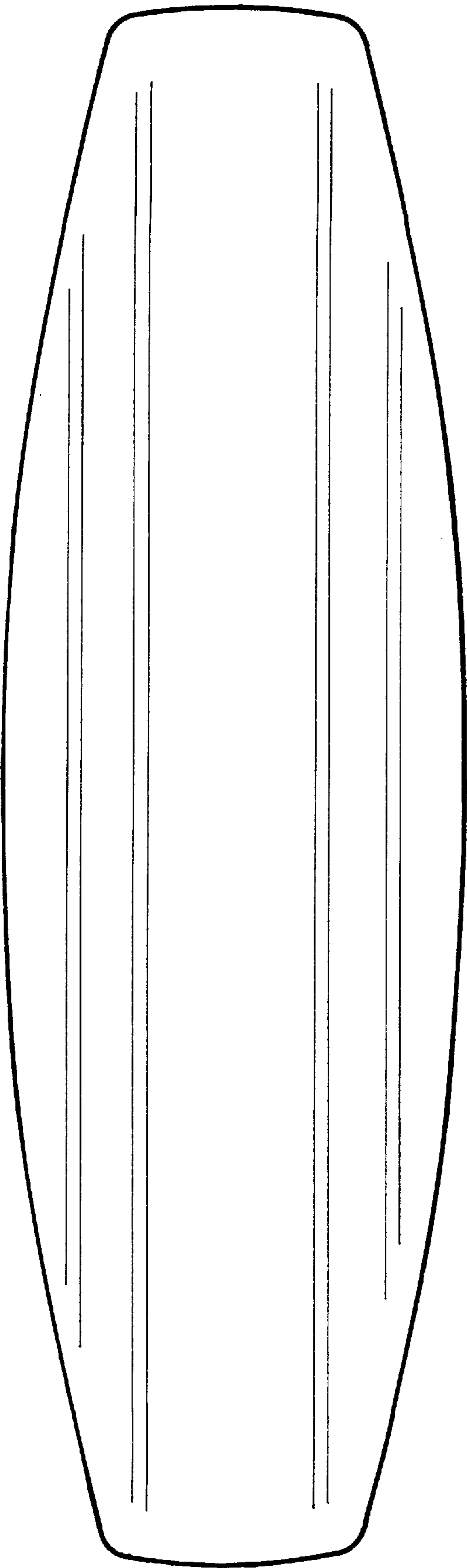


FIGURE 5

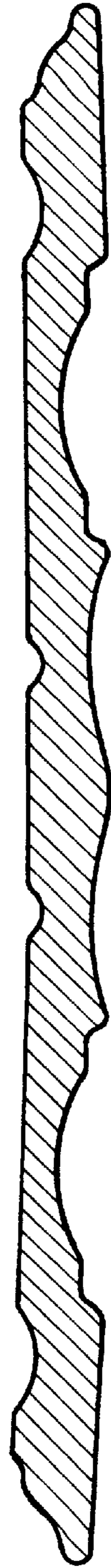


FIGURE 6