



US00D424635S

# United States Patent [19]

Hollis et al.

[11] **Patent Number: Des. 424,635**

[45] **Date of Patent: \*\* May 9, 2000**

[54] **RECONFIGURABLE TOY VEHICLE**

[75] Inventors: **John Hollis; Christine Hollis**, both of Topanga Canyon, Calif.

[73] Assignee: **May Cheong Toy Products Factory Ltd.**, Kowloon, The Hong Kong Special Administrative Region of the People's Republic of China

[\*\*] Term: **14 Years**

[21] Appl. No.: **29/109,835**

[22] Filed: **Aug. 23, 1999**

[51] **LOC (7) Cl. .... 21-01**

[52] **U.S. Cl. .... D21/548**

[58] **Field of Search** ..... D21/533, 539, D21/548-552, 557-560, 579, 580, 442, 436, 447; 446/465, 470, 471, 487; D12/326-329, 86-89, 91-92

### [56] **References Cited**

#### U.S. PATENT DOCUMENTS

D. 224,744 9/1972 Spiegel ..... D21/548

D. 274,740	7/1984	Santaw	.....	D21/549
D. 295,299	4/1988	Shibukawa	.....	D21/442
D. 303,412	9/1989	Matsuda	.....	D21/580
D. 314,651	2/1991	Ross, Jr. et al.	.....	D21/548
5,810,638	9/1998	Wood	.....	446/487

*Primary Examiner*—Raphael Barkai  
*Attorney, Agent, or Firm*—Alix, Yale & Ristas, LLP

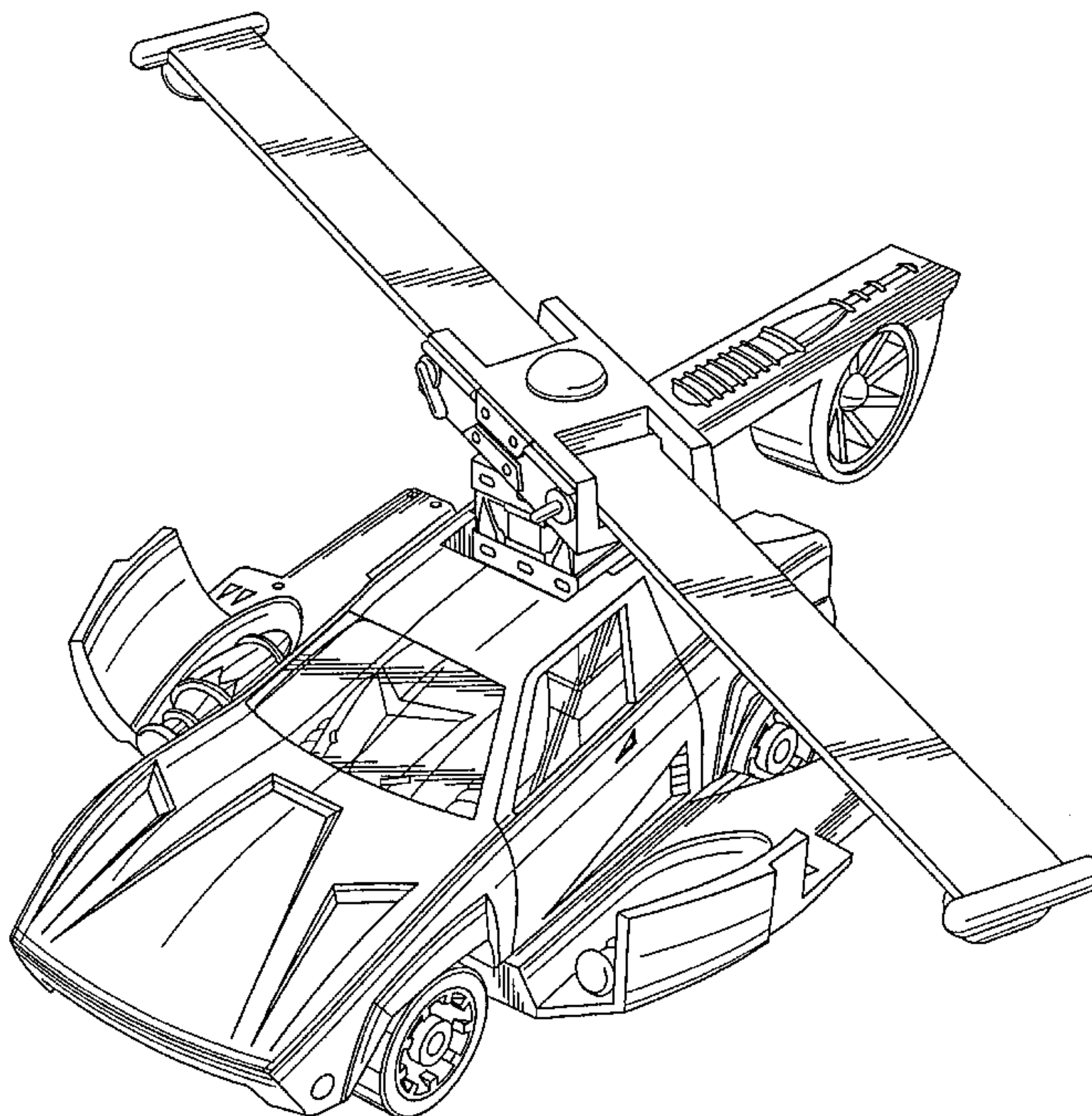
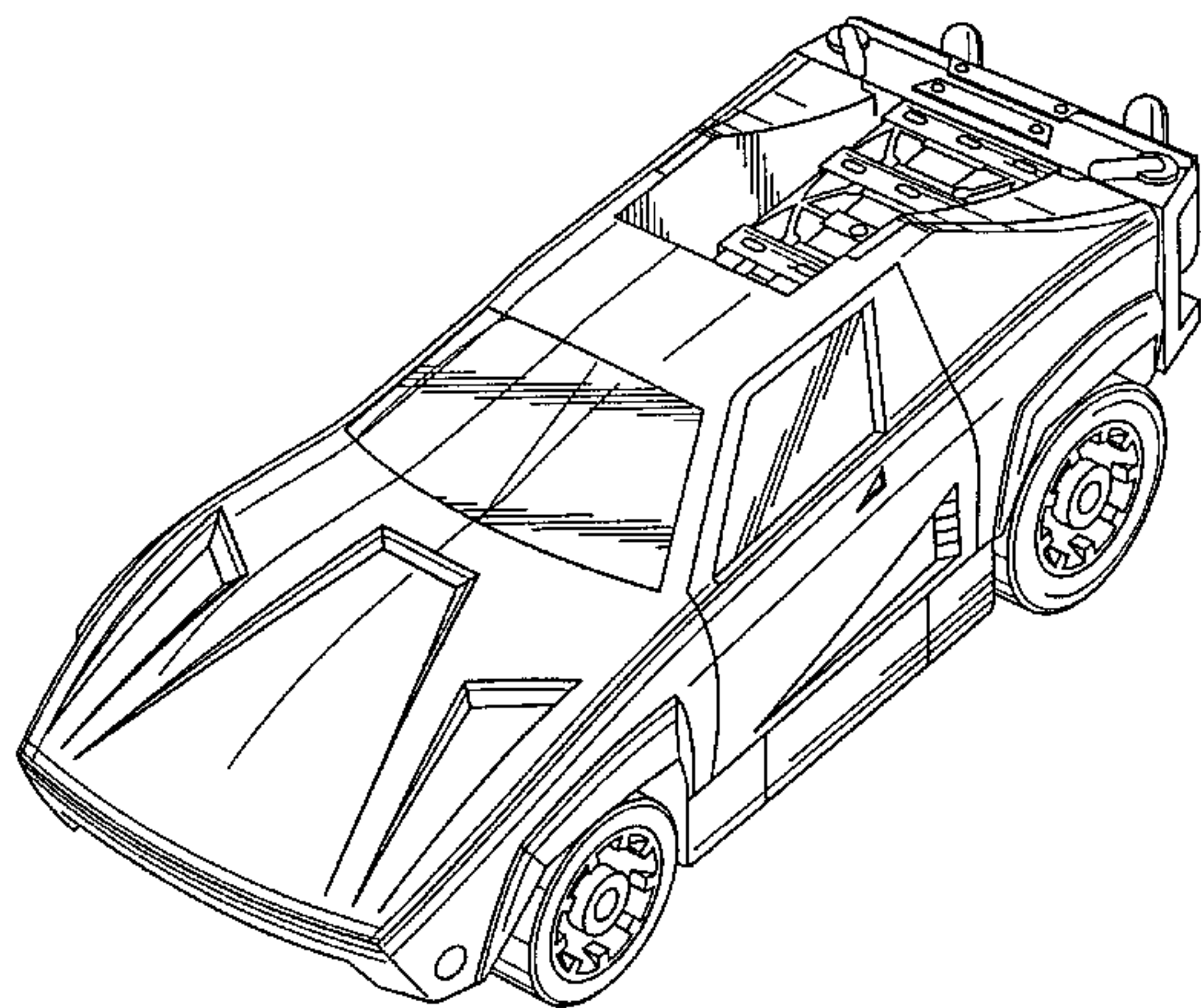
### [57] **CLAIM**

The ornamental design for a reconfigurable toy vehicle, as shown and described.

### **DESCRIPTION**

FIG. 1 is a front elevational view of a reconfigurable toy vehicle showing our new design; FIG. 2 is a rear elevational view thereof; FIG. 3 is a left side elevational view thereof; FIG. 4 is a right side elevational view thereof; FIG. 5 is a top plan view thereof; FIG. 6 is a bottom plan view thereof; FIG. 7 is a top perspective view thereof; and, FIG. 8 is a perspective view of the design shown in FIG. 7 through 7 in a reconfigurable condition.

**1 Claim, 5 Drawing Sheets**



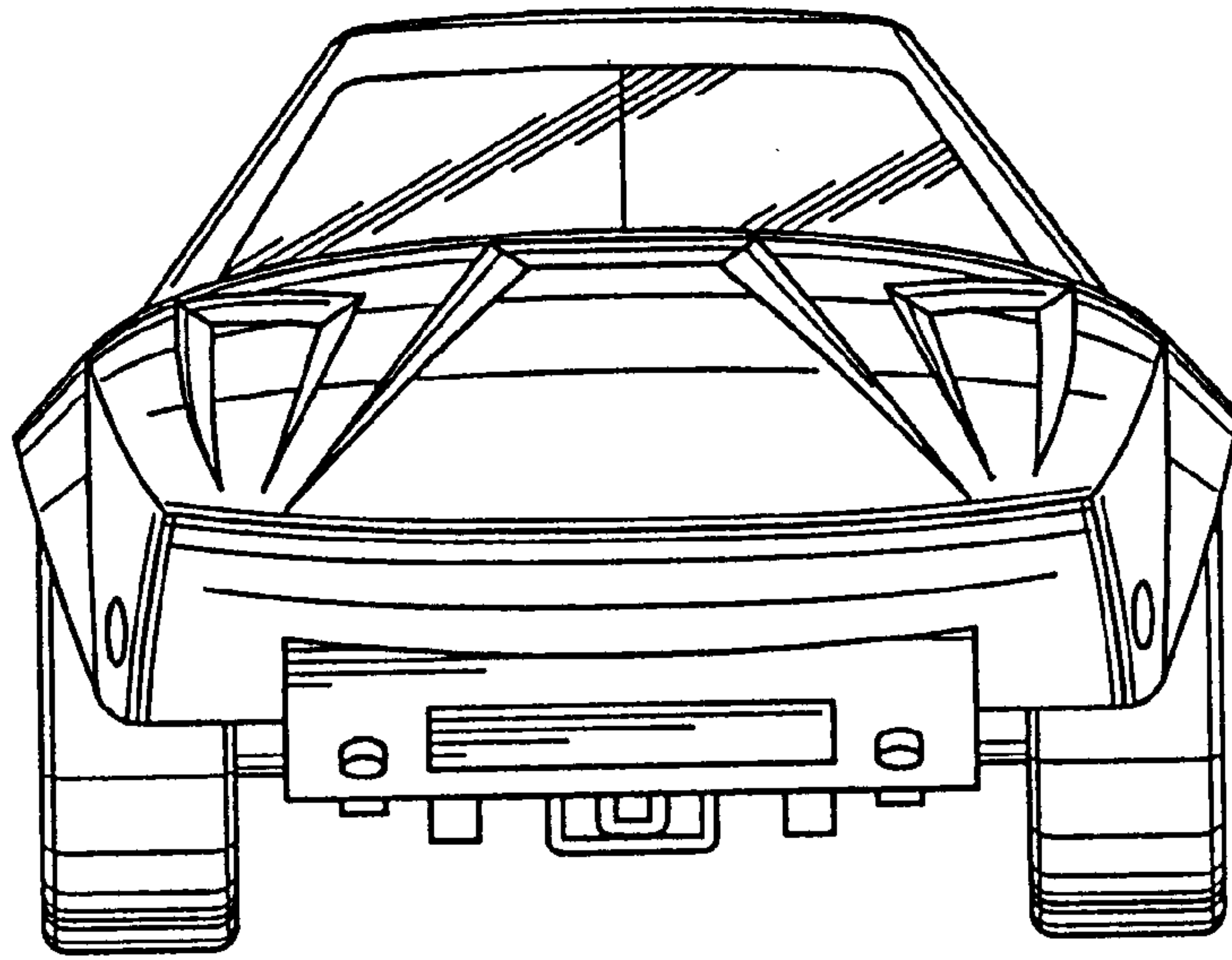


FIG. 1

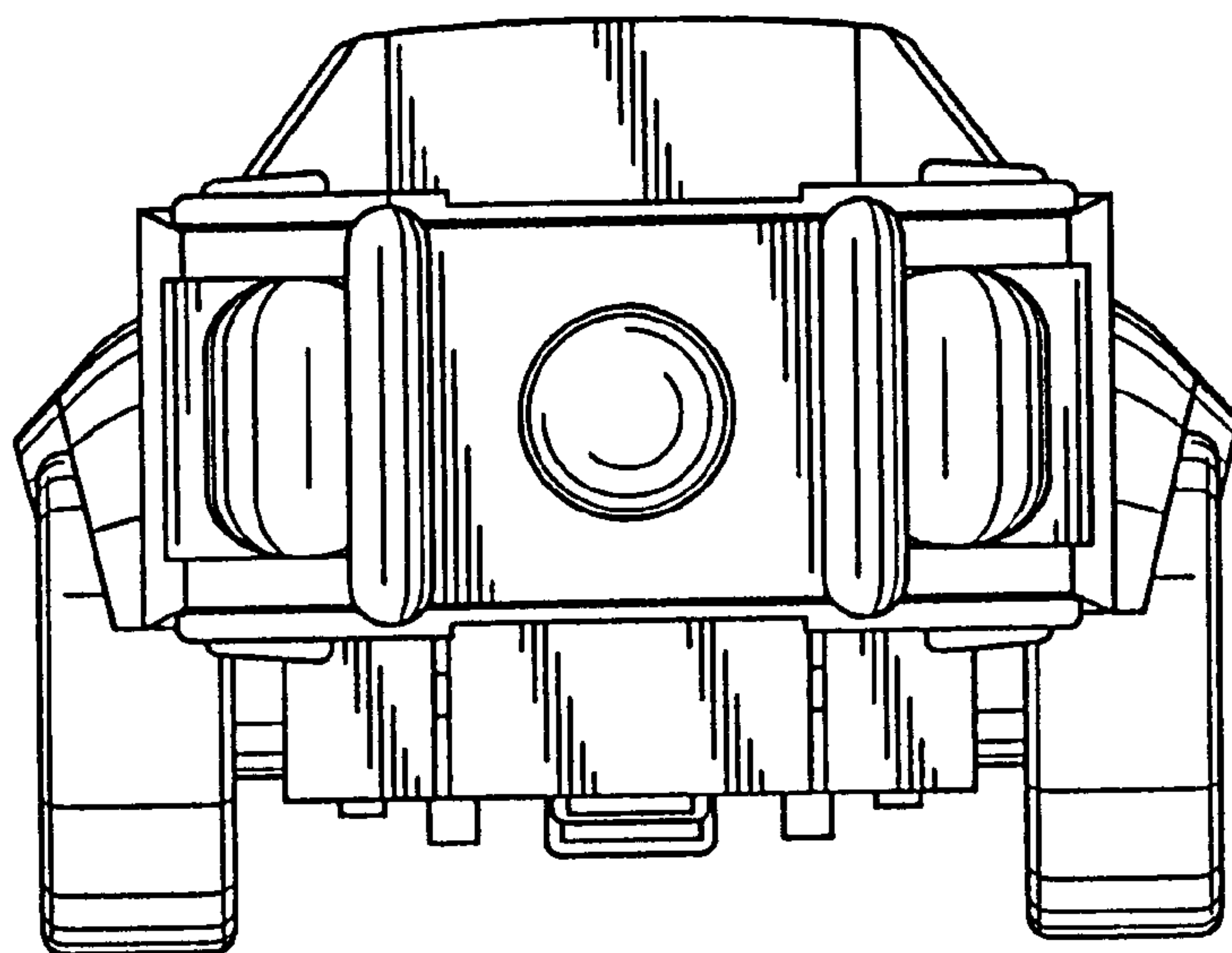


FIG. 2

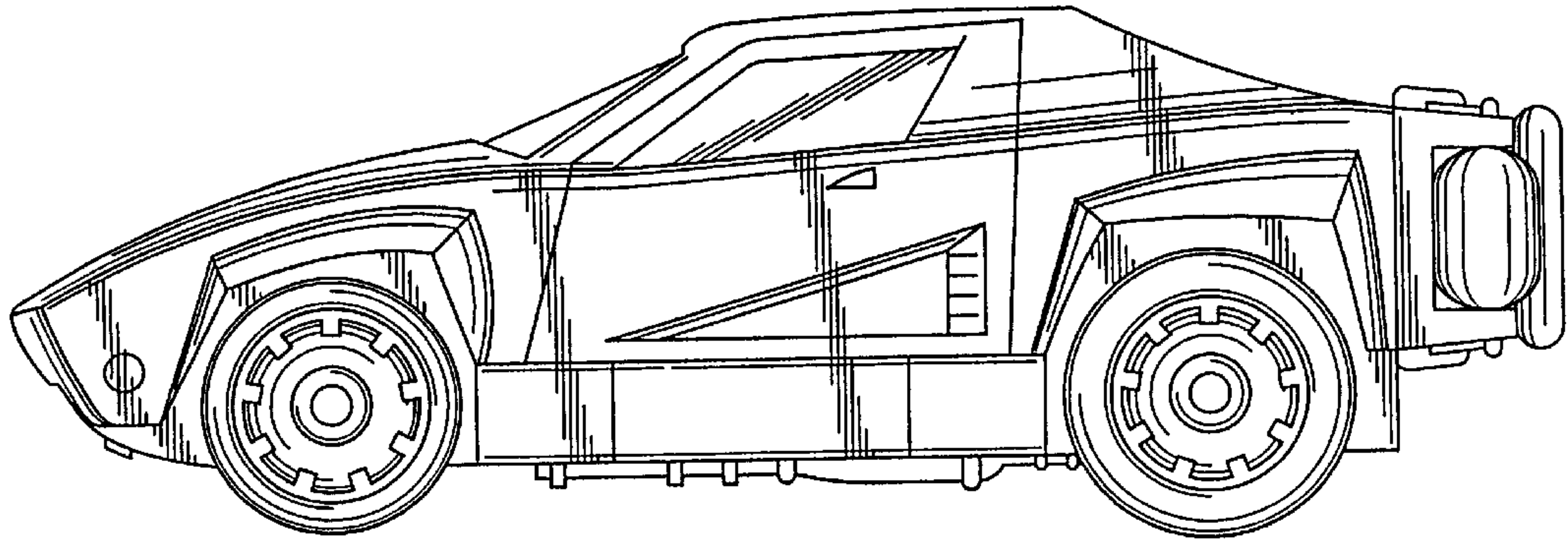


FIG. 4

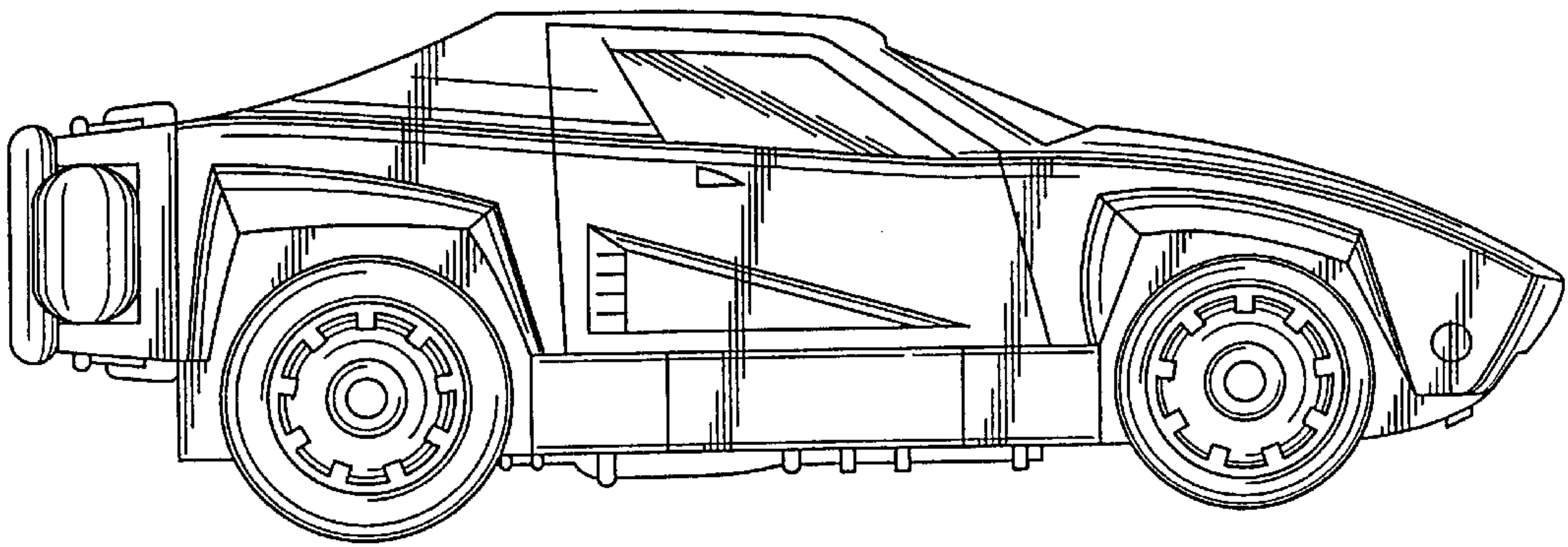


FIG. 3



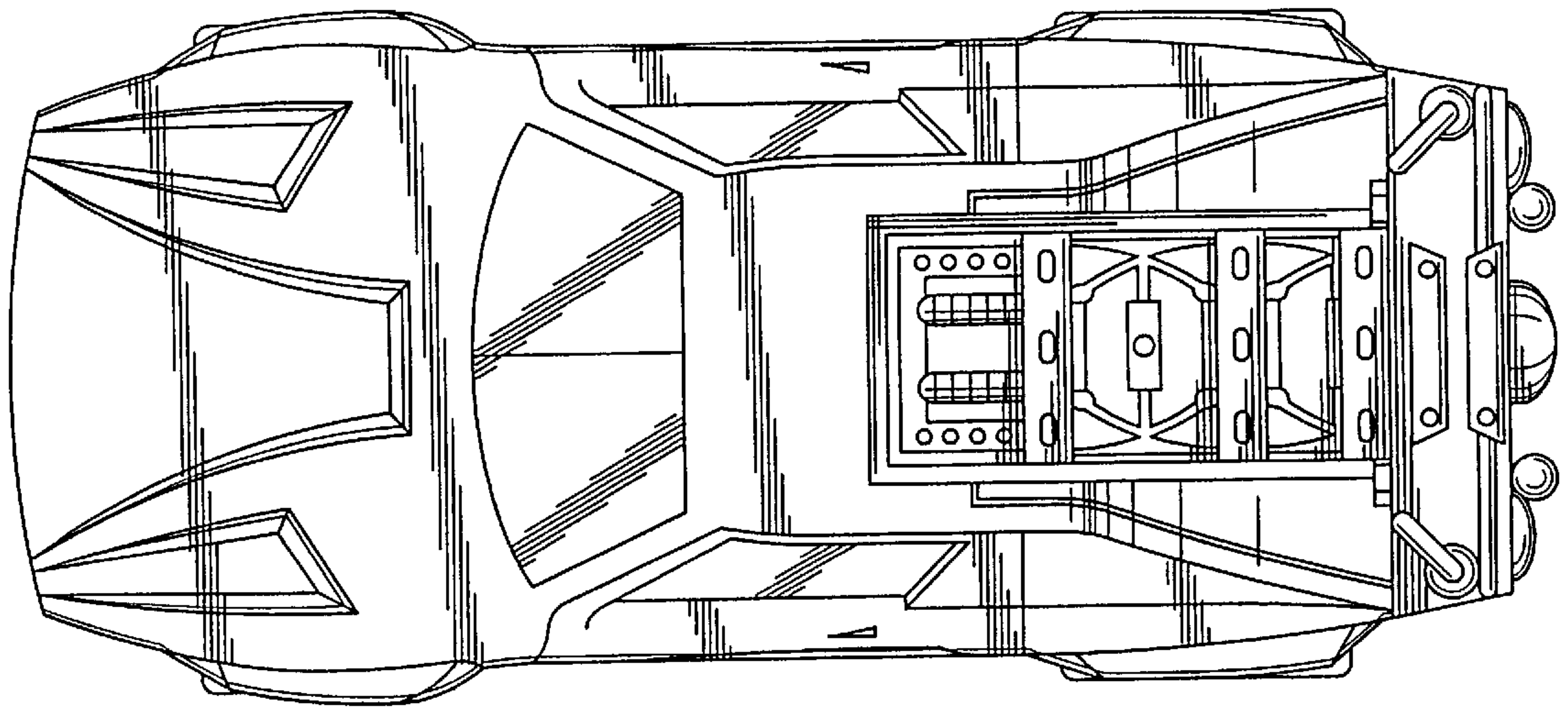


FIG. 5

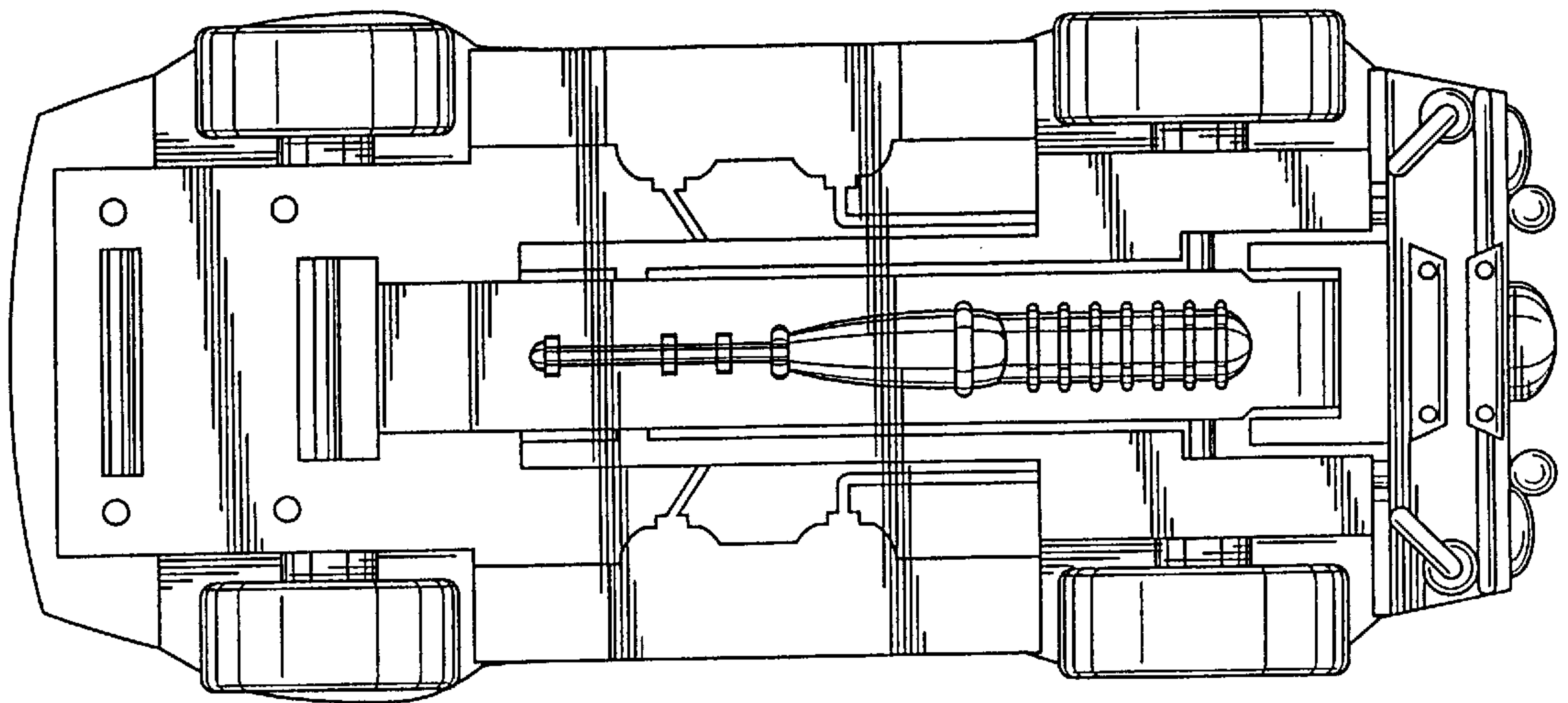


FIG. 6

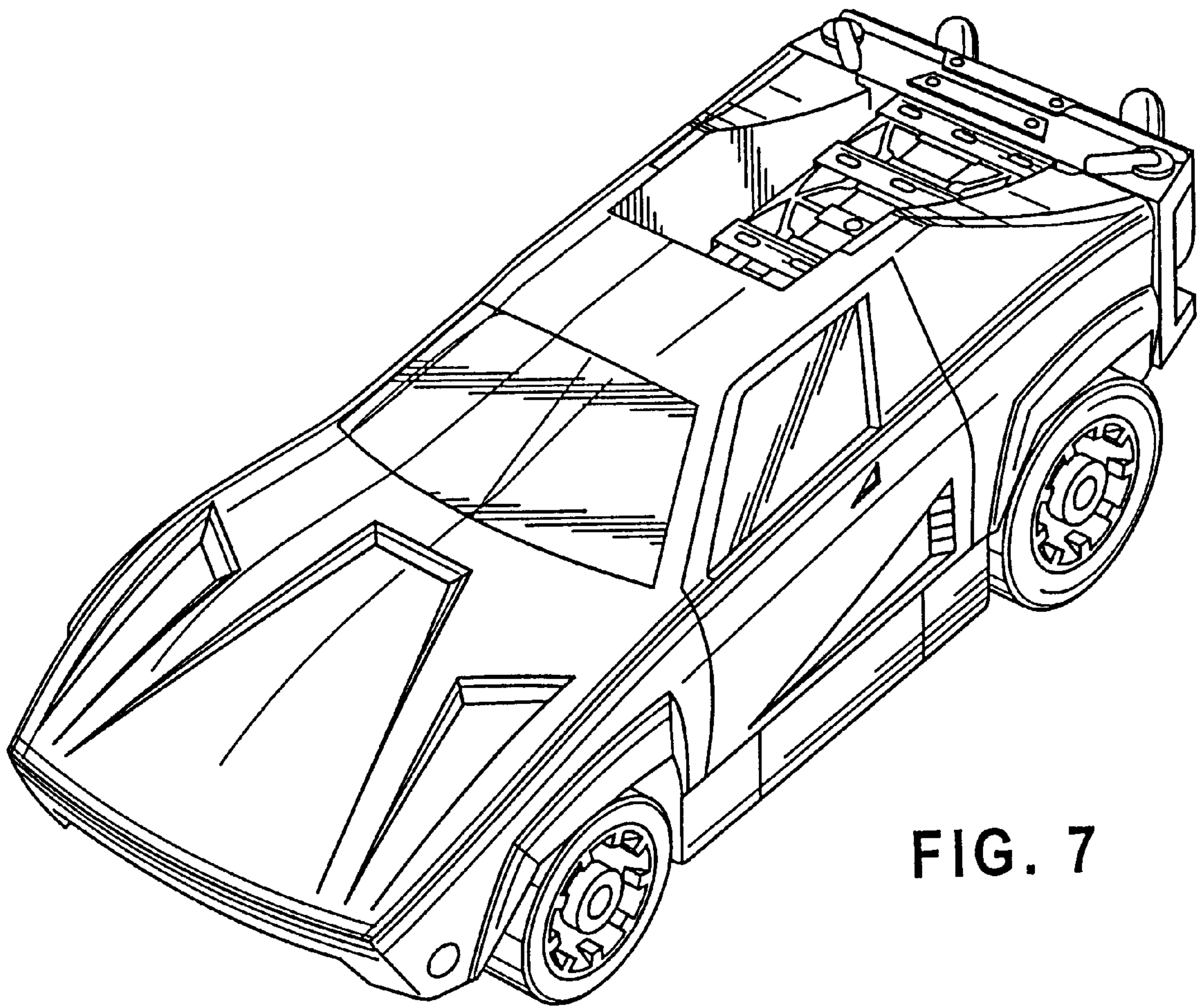


FIG. 7

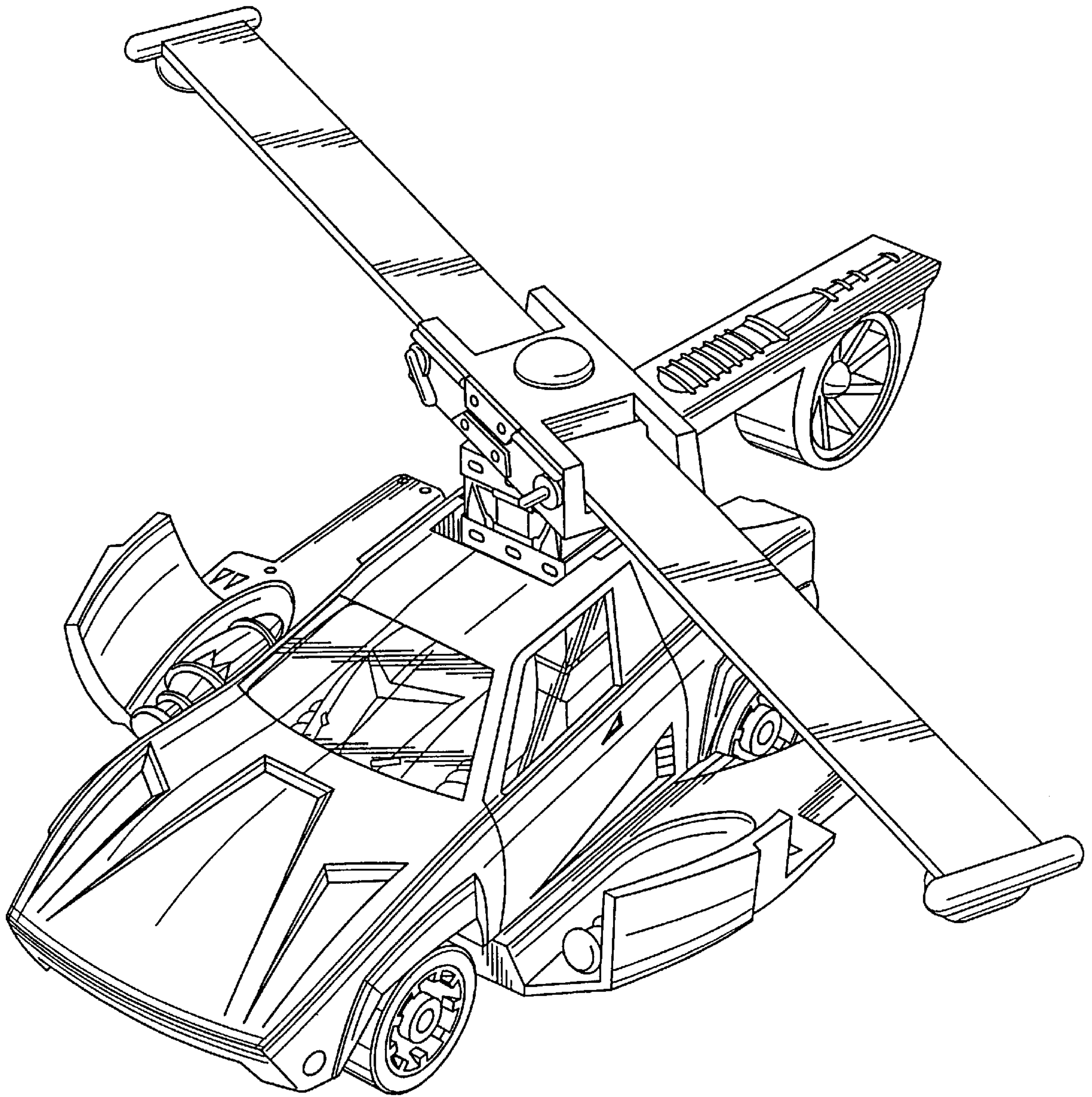


FIG. 8