



US00D424634S

United States Patent [19]

[11] **Patent Number: Des. 424,634**

Hollis et al.

[45] **Date of Patent: ** May 9, 2000**

[54] **RECONFIGURABLE TOY VEHICLE**

D. 220,508	4/1971	Good	D21/551
D. 275,873	10/1984	Manning	D21/548
D. 295,299	4/1988	Shibukawa	D21/550
D. 301,264	5/1989	Ishizawa	D21/580
D. 368,746	4/1996	Chilton et al.	D21/550
5,810,638	9/1998	Wood	446/487

[75] Inventors: **John Hollis; Christine Hollis**, both of Topanga Canyon, Calif.

[73] Assignee: **May Cheong Toy Products Factory Ltd.**, Kowloon, The Hong Kong Special Administrative Region of the People's Republic of China

Primary Examiner—Raphael Barkai
Attorney, Agent, or Firm—Alix, Yale & Ristas, LLP

[**] Term: **14 Years**

[57] CLAIM

[21] Appl. No.: **29/109,526**

The ornamental design for a reconfigurable toy vehicle, as shown and described.

[22] Filed: **Aug. 17, 1999**

DESCRIPTION

[51] **LOC (7) Cl.** **21-01**

FIG. 1 is a front elevational view of a reconfigurable toy vehicle showing our new design;
FIG. 2 is a rear elevational view thereof;
FIG. 3 is a left side elevational view thereof;
FIG. 4 is a right side elevational view thereof;
FIG. 5 is a top plan view thereof;
FIG. 6 is a bottom plan view thereof;
FIG. 7 is a top perspective view thereof; and,
FIG. 8 is a perspective view of the design shown in FIG. 1 through 7 in a reconfigurable condition.

[52] **U.S. Cl.** **D21/548**

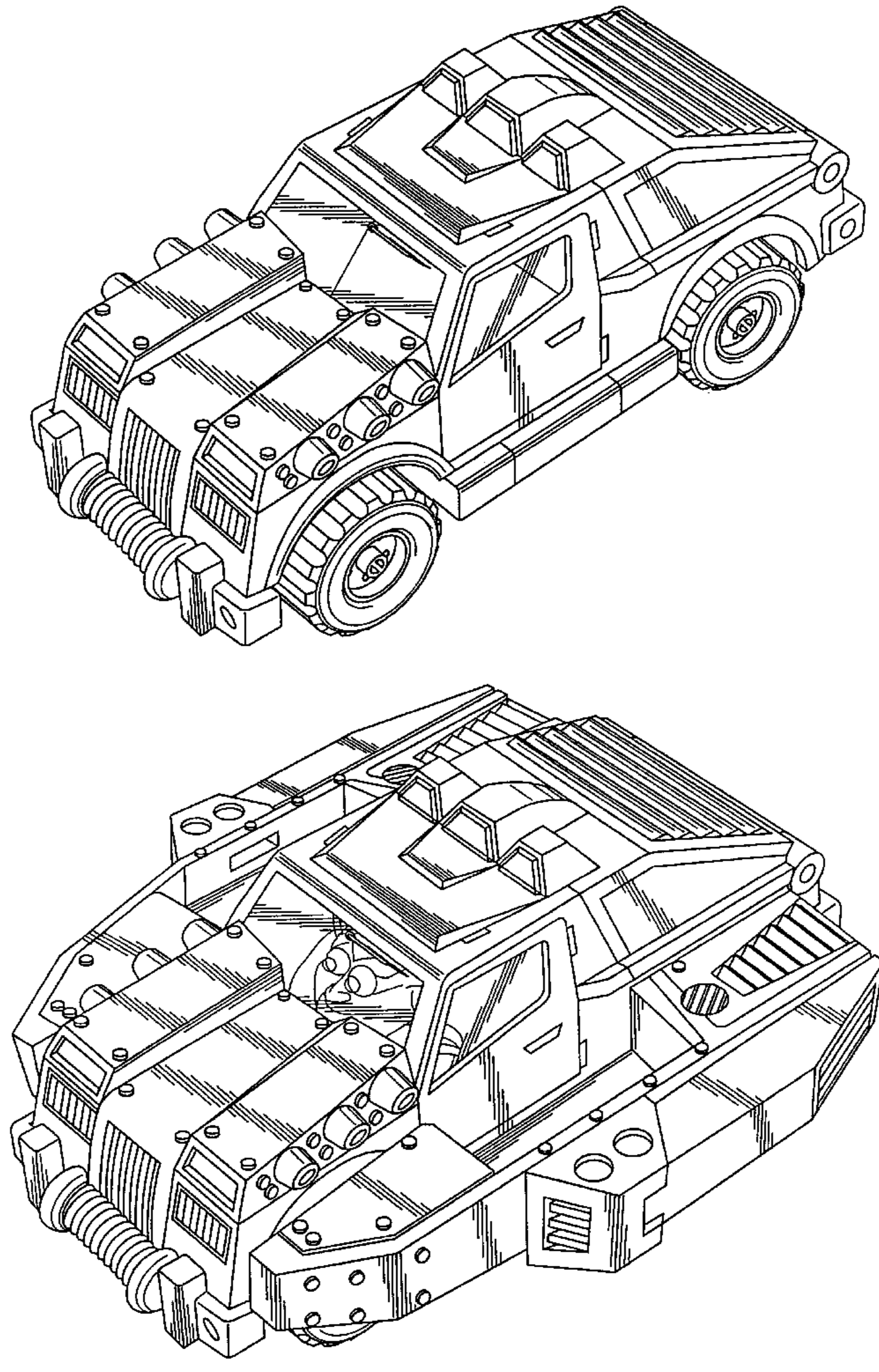
[58] **Field of Search** D21/533, 539, D21/548-552, 557-560, 579, 580-583, 442, 436, 447; D12/86-89, 91-92, 1-4, 12; 446/465, 470, 471, 487

[56] References Cited

U.S. PATENT DOCUMENTS

D. 191,793 11/1961 Alvanev D21/539

1 Claim, 5 Drawing Sheets



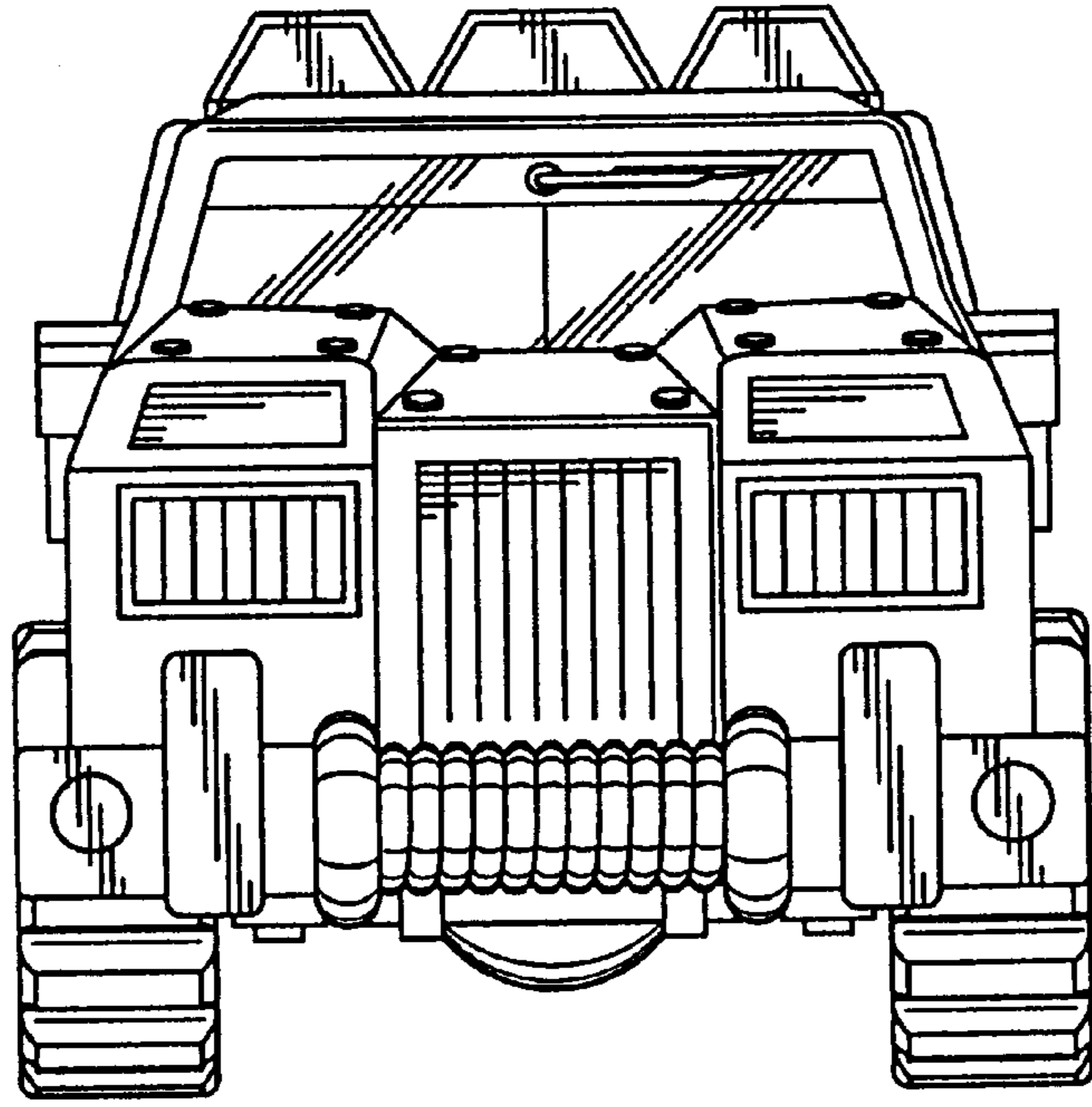


FIG. 1

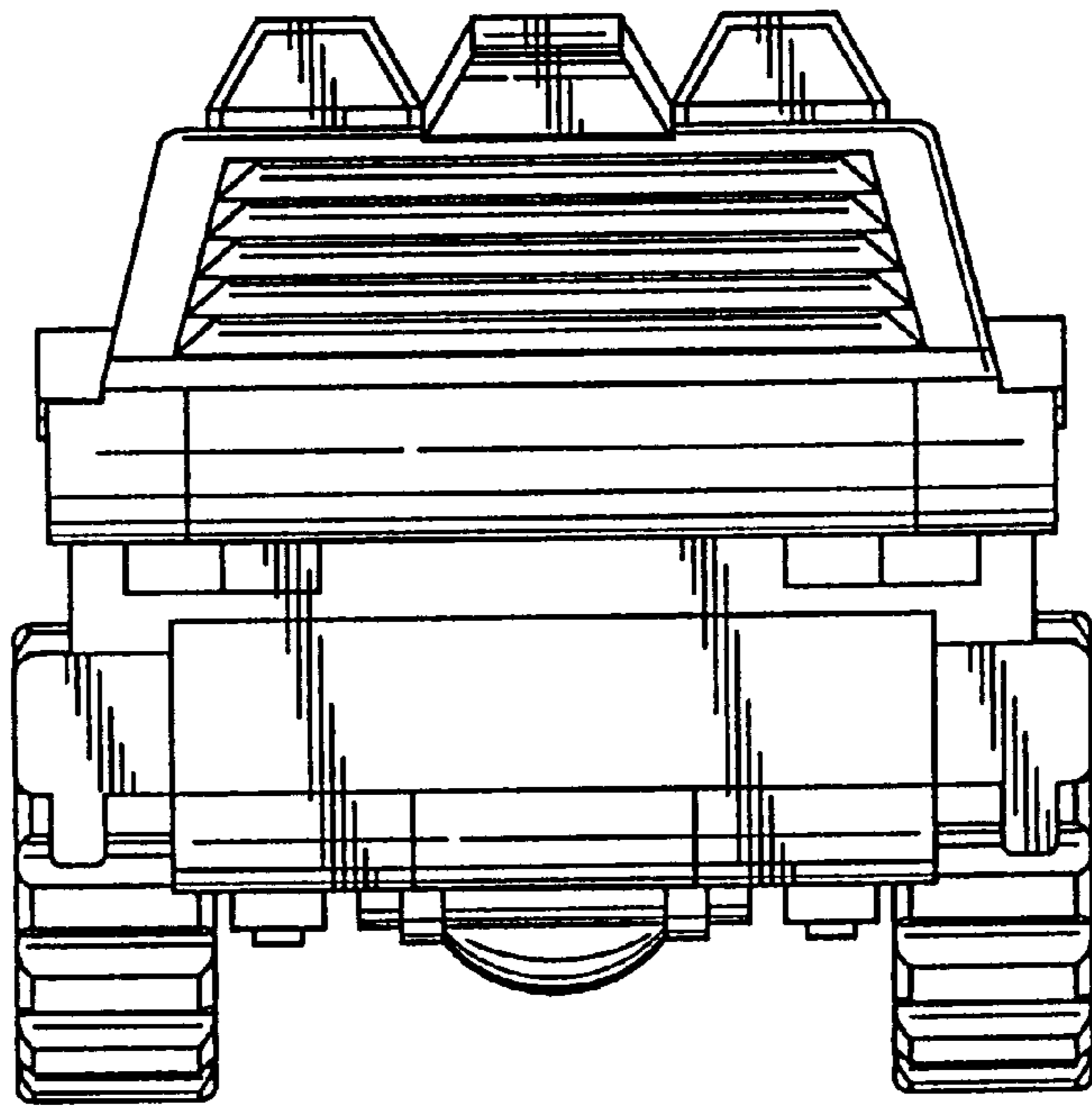


FIG. 2

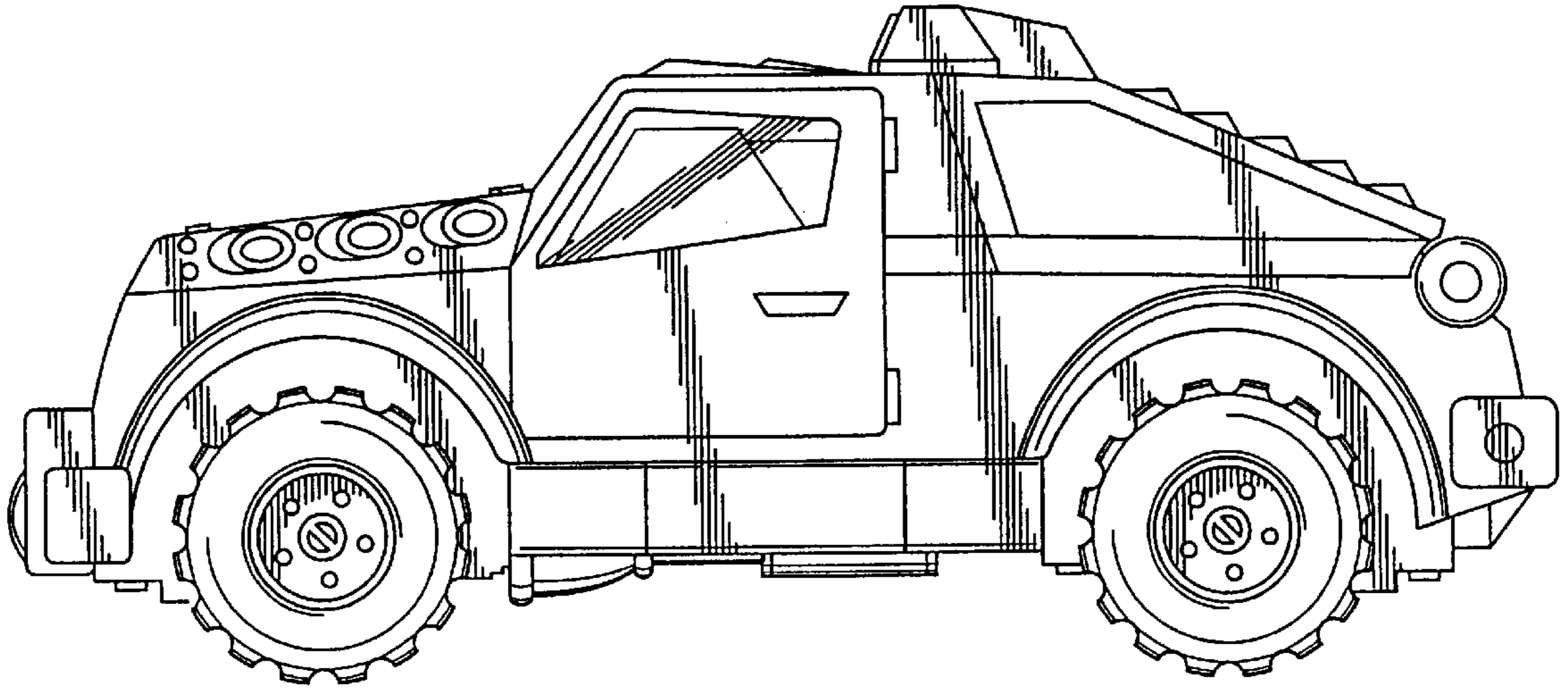


FIG. 4

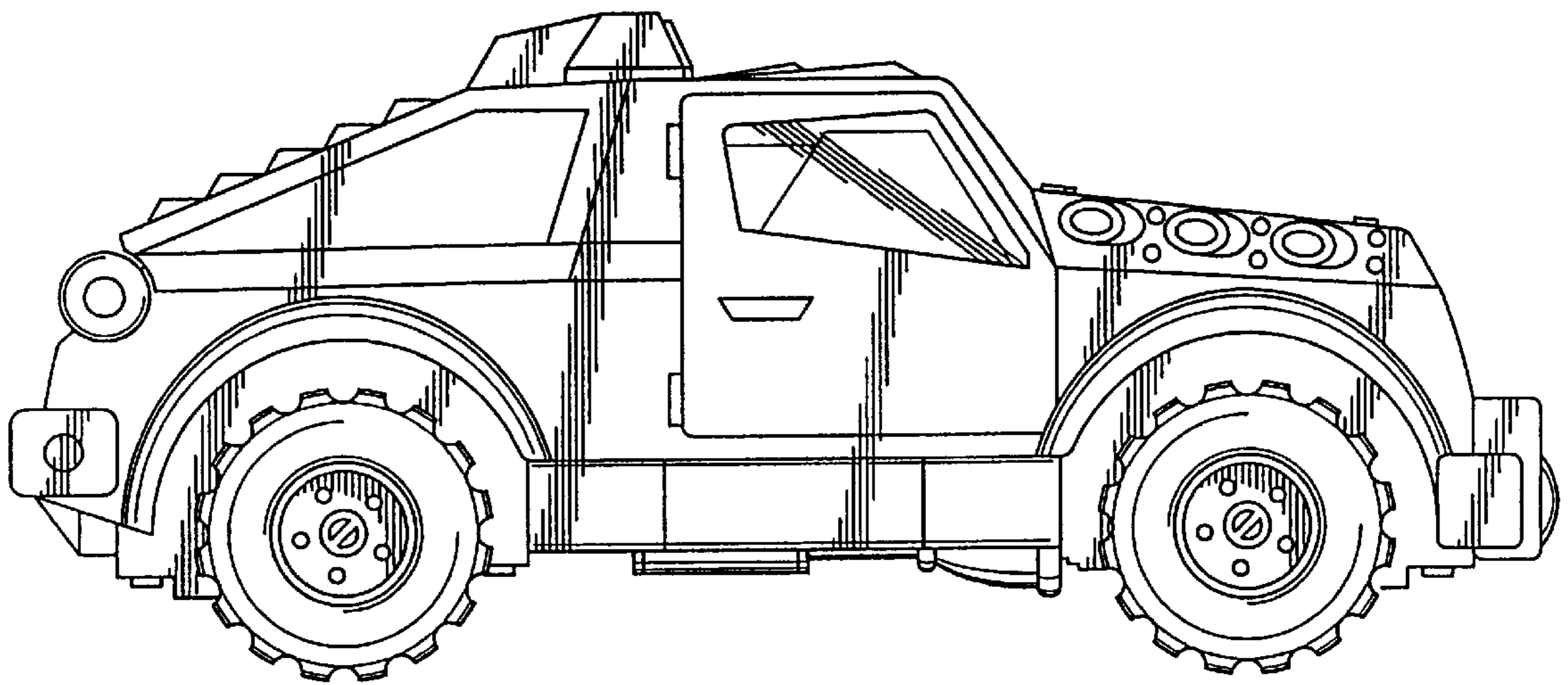


FIG. 3

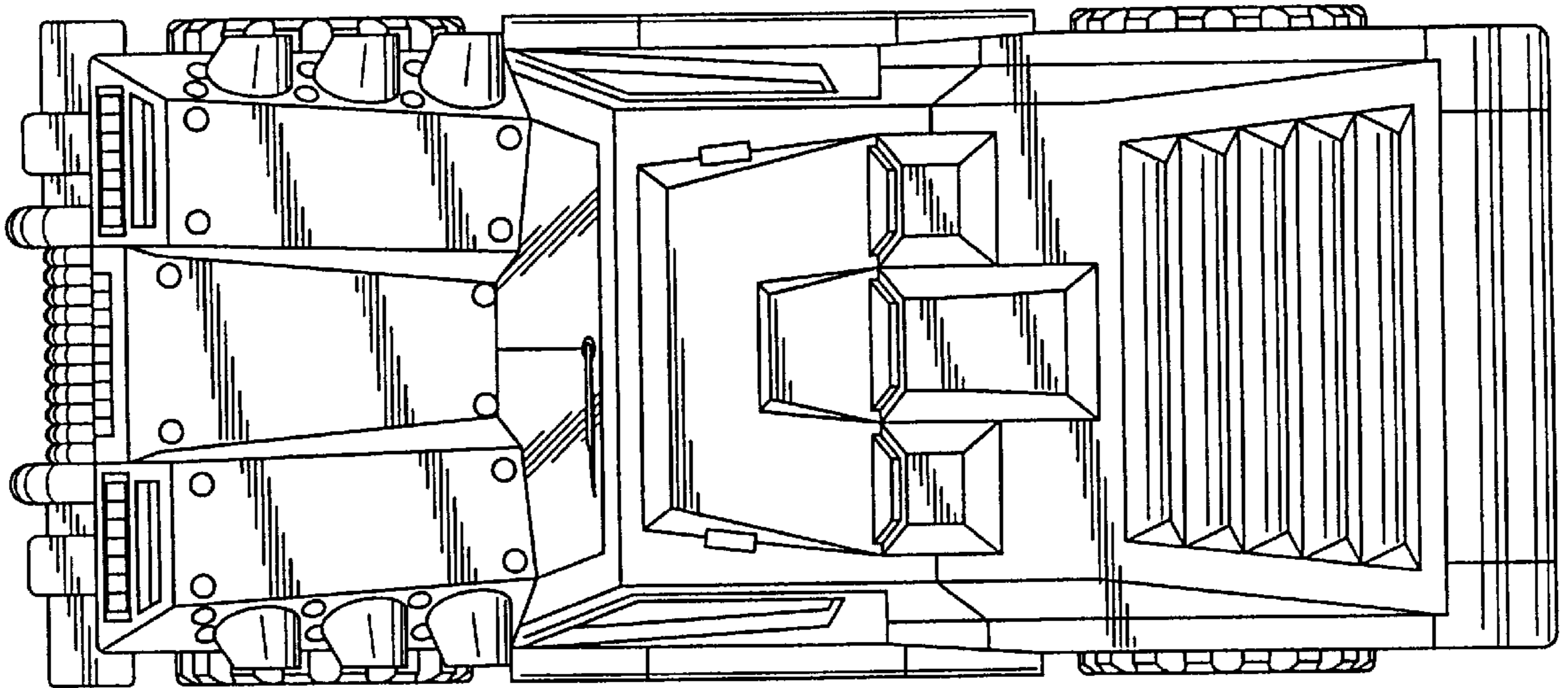


FIG. 5

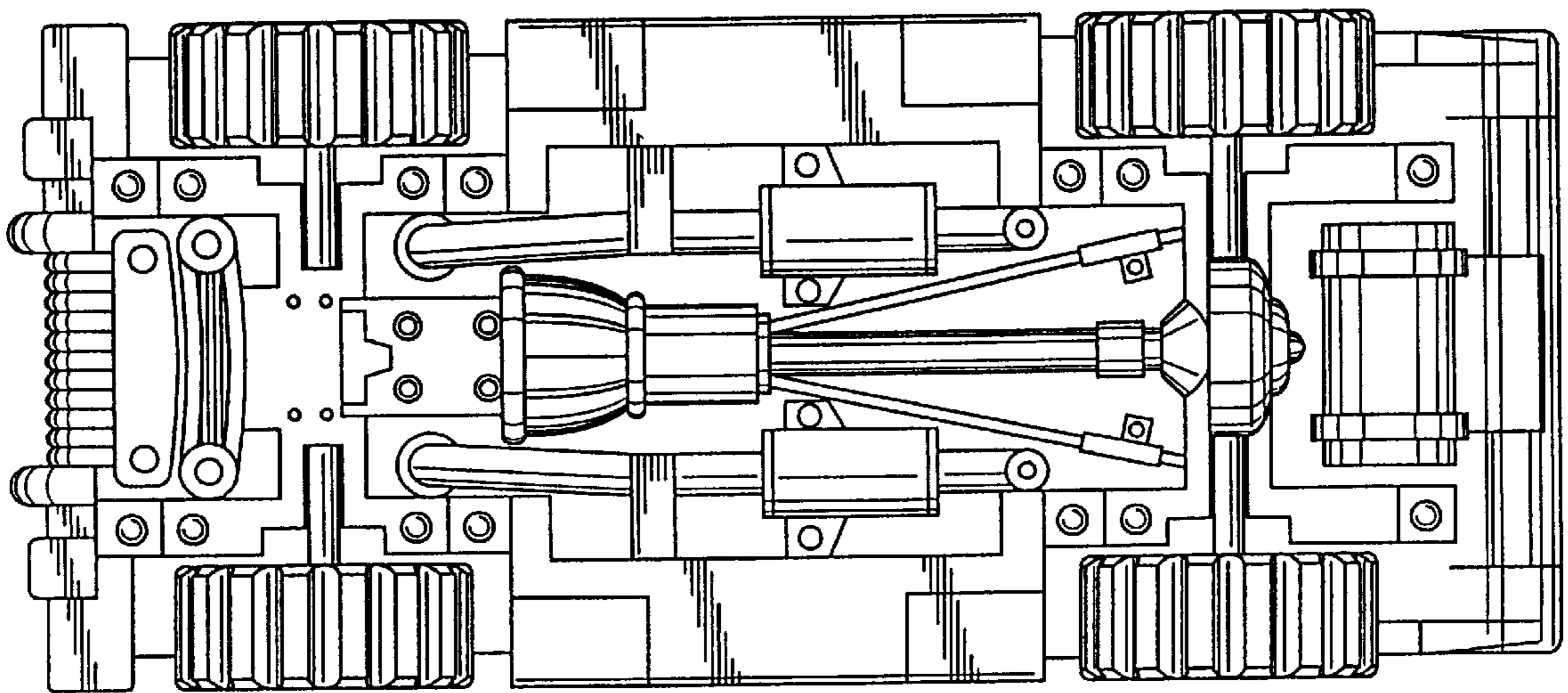


FIG. 6

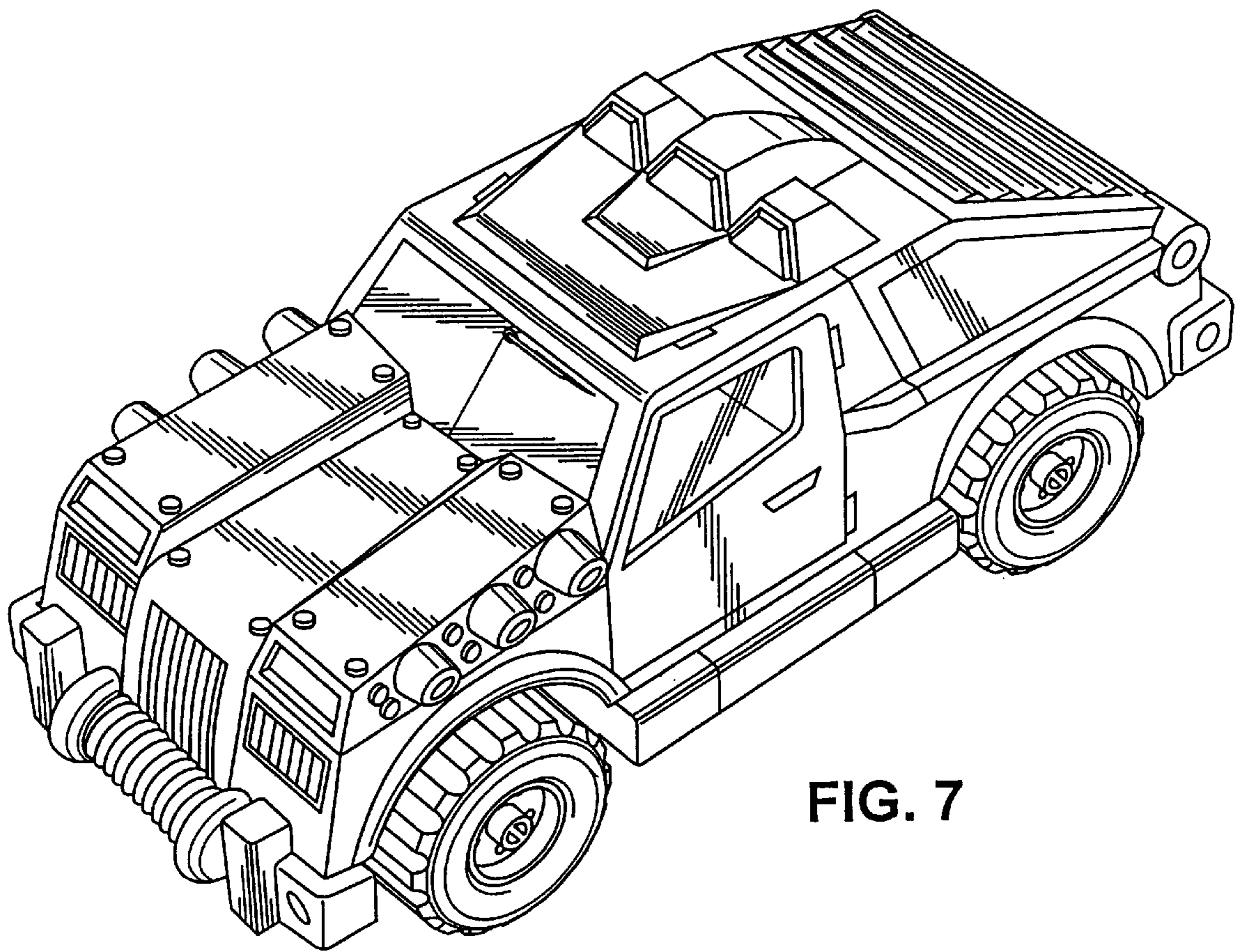


FIG. 7

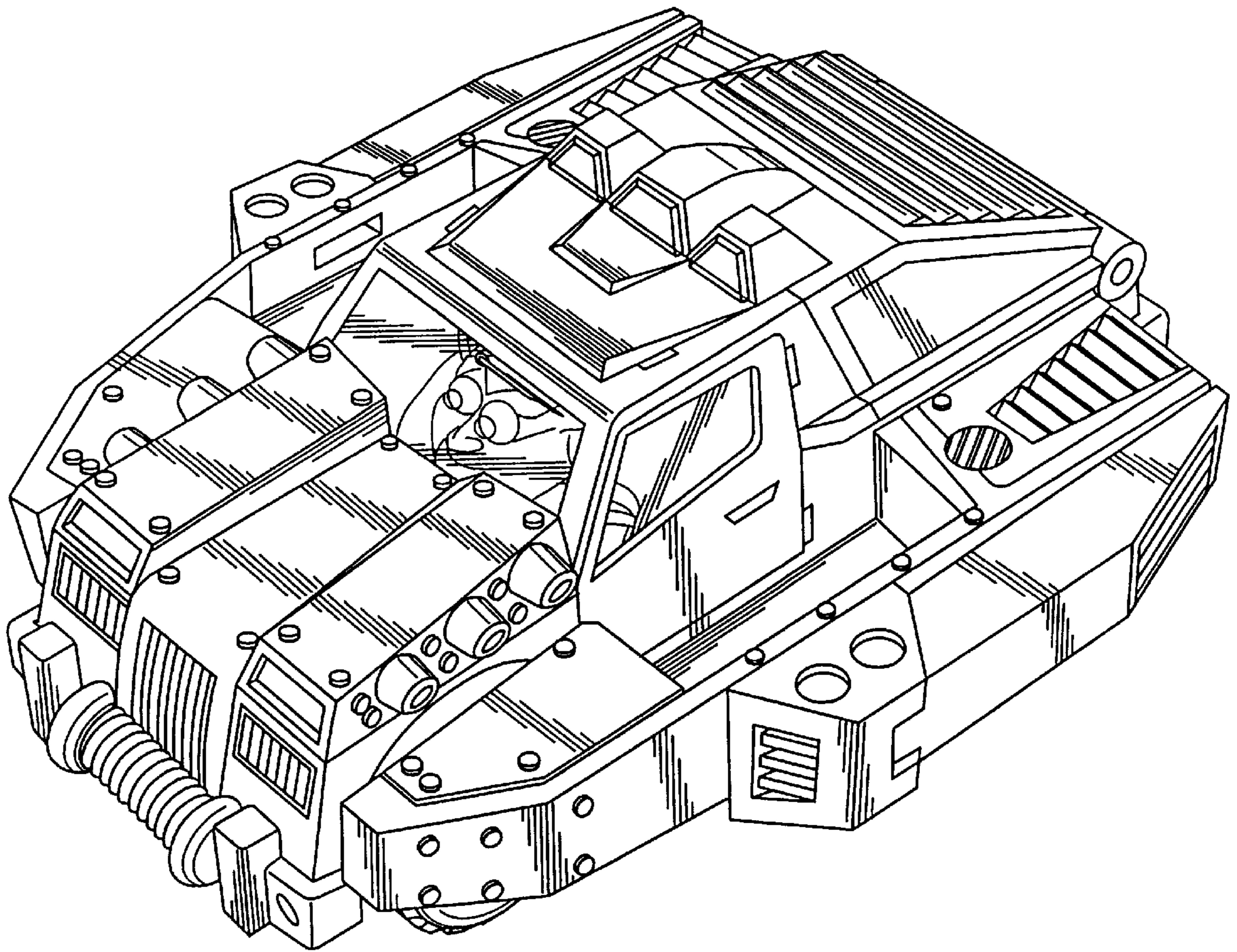


FIG. 8