



US00D424633S

United States Patent [19]

Hollis et al.

[11] Patent Number: **Des. 424,633**

[45] Date of Patent: **** May 9, 2000**

[54] **RECONFIGURABLE TOY VEHICLE**

[75] Inventors: **John Hollis; Christine Hollis**, both of Topanga Canyon, Calif.

[73] Assignee: **May Cheong Toy Products Factory Ltd.**, Kowloon, The Hong Kong Special Administrative Region of the People's Republic of China

[**] Term: **14 Years**

[21] Appl. No.: **29/109,104**

[22] Filed: **Aug. 10, 1999**

[51] **LOC (7) Cl.** **21-01**

[52] **U.S. Cl.** **D21/548**

[58] **Field of Search** D21/533, 539, D21/548-552, 557-560, 579, 580, 442, 436, 447; D12/326-329, 86-89, 91-92; 446/465, 470, 471, 487

[56] **References Cited**

U.S. PATENT DOCUMENTS

D. 220,049 3/1971 McLaren D21/549

D. 274,740	7/1984	Santaw	D21/549
D. 295,299	4/1988	Shibukawa	D21/550
D. 303,412	9/1989	Matsuda	D21/580
D. 397,380	8/1998	Araki et al.	D21/550
5,810,638	9/1998	Wood	446/487

Primary Examiner—Raphael Barkai
Attorney, Agent, or Firm—Alix, Yale & Ristas, LLP

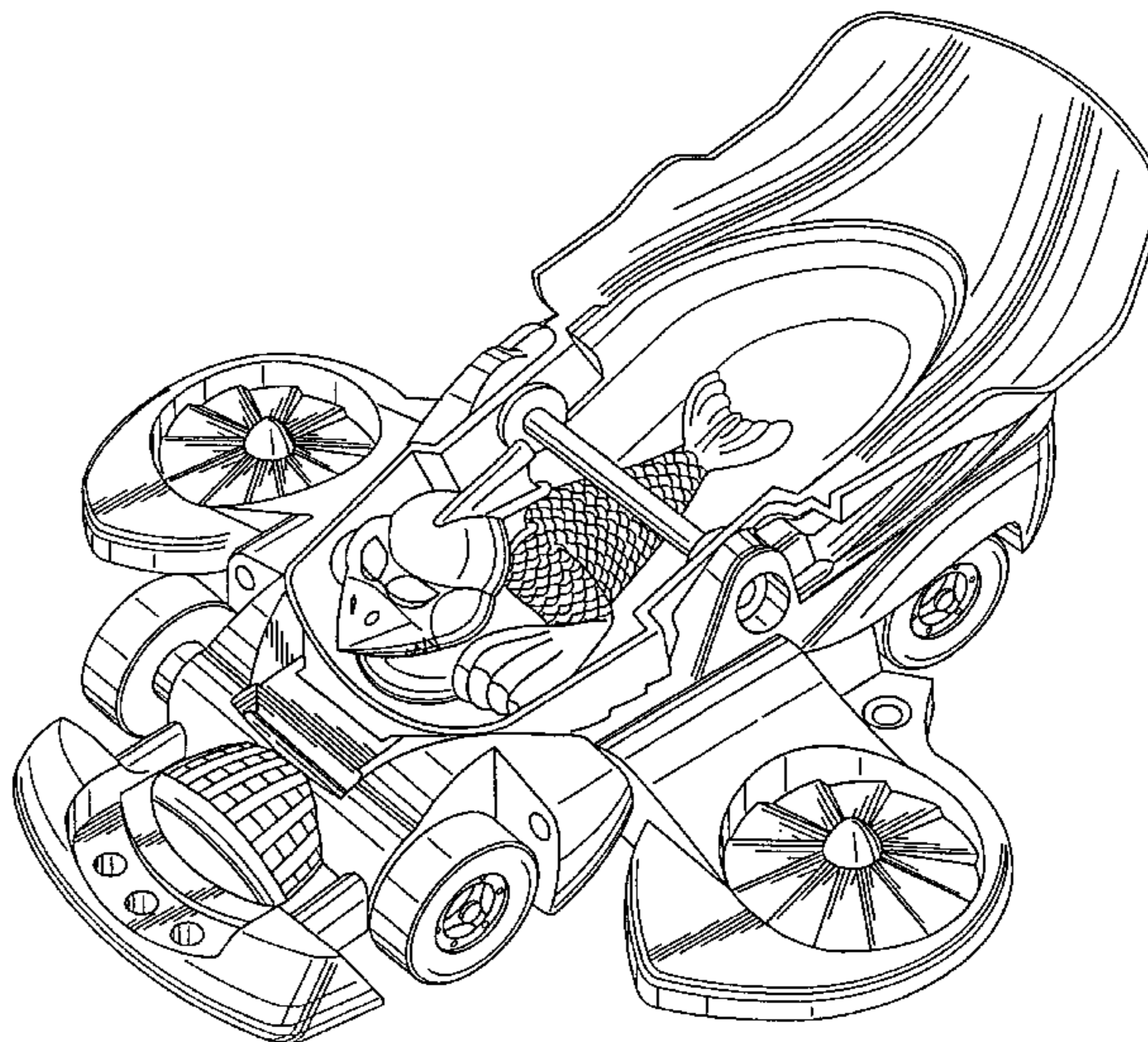
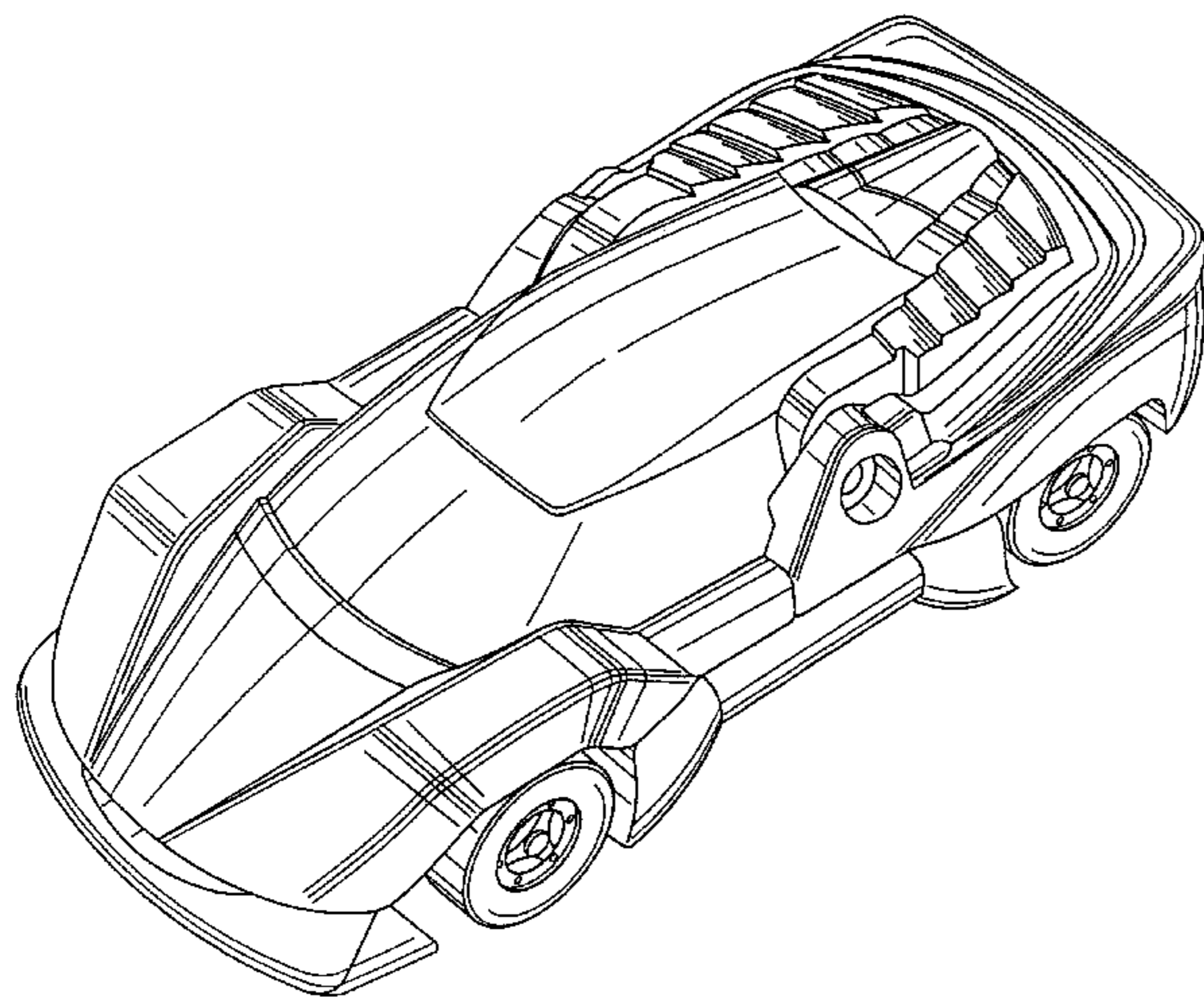
[57] **CLAIM**

The ornamental design for a reconfigurable toy vehicle, as shown and described.

DESCRIPTION

FIG. 1 is a front elevational view of a reconfigurable toy vehicle showing our new design; FIG. 2 is a rear elevational view thereof; FIG. 3 is a left side elevational view thereof; FIG. 4 is a right side elevational view thereof; FIG. 5 is a top plan view thereof; FIG. 6 is a bottom plan view thereof; FIG. 7 is a top perspective view thereof; and, FIG. 8 is a perspective view of the design shown in FIG. 1 through 7 in a reconfigurable condition.

1 Claim, 5 Drawing Sheets



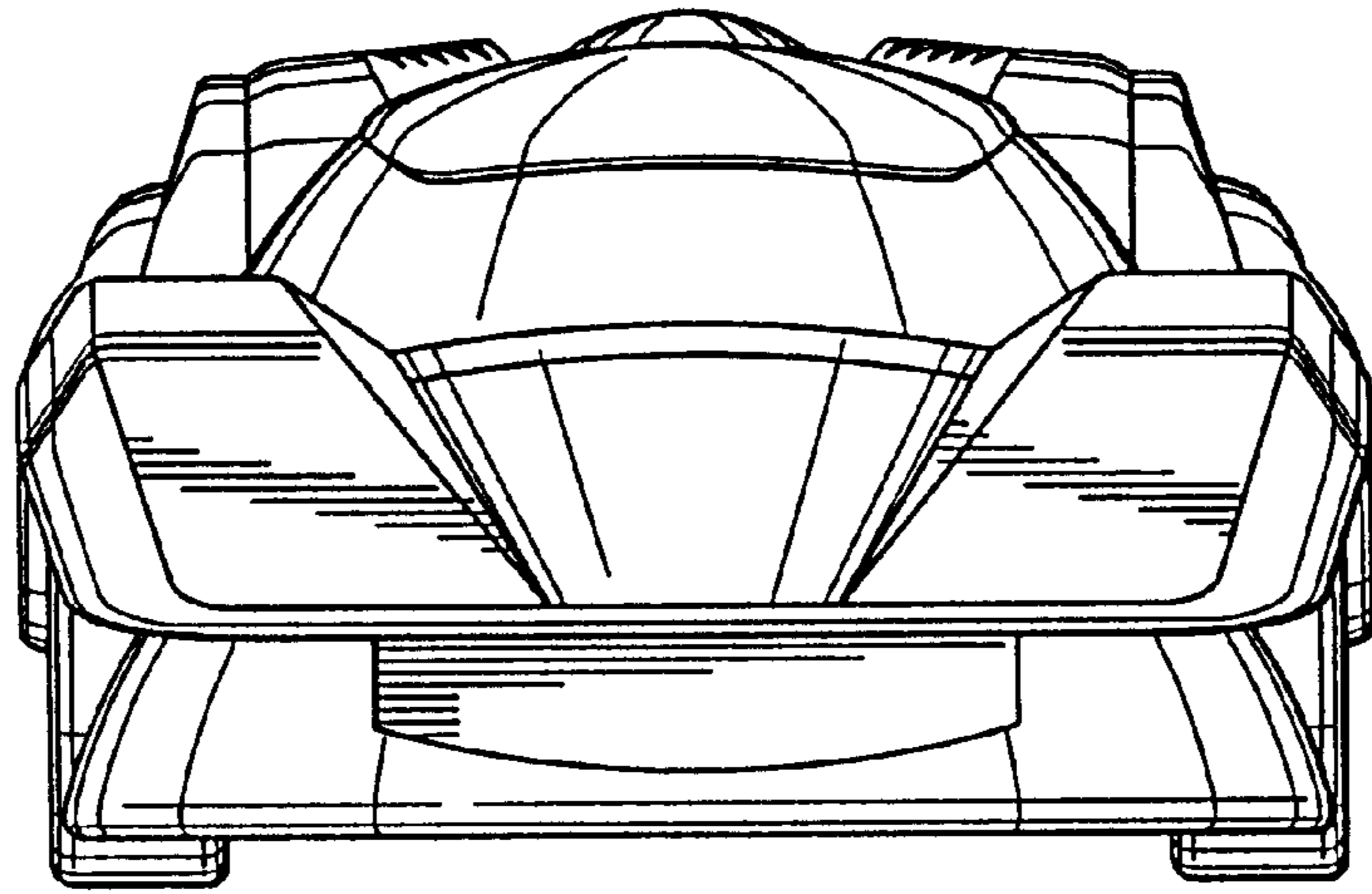


FIG. 1

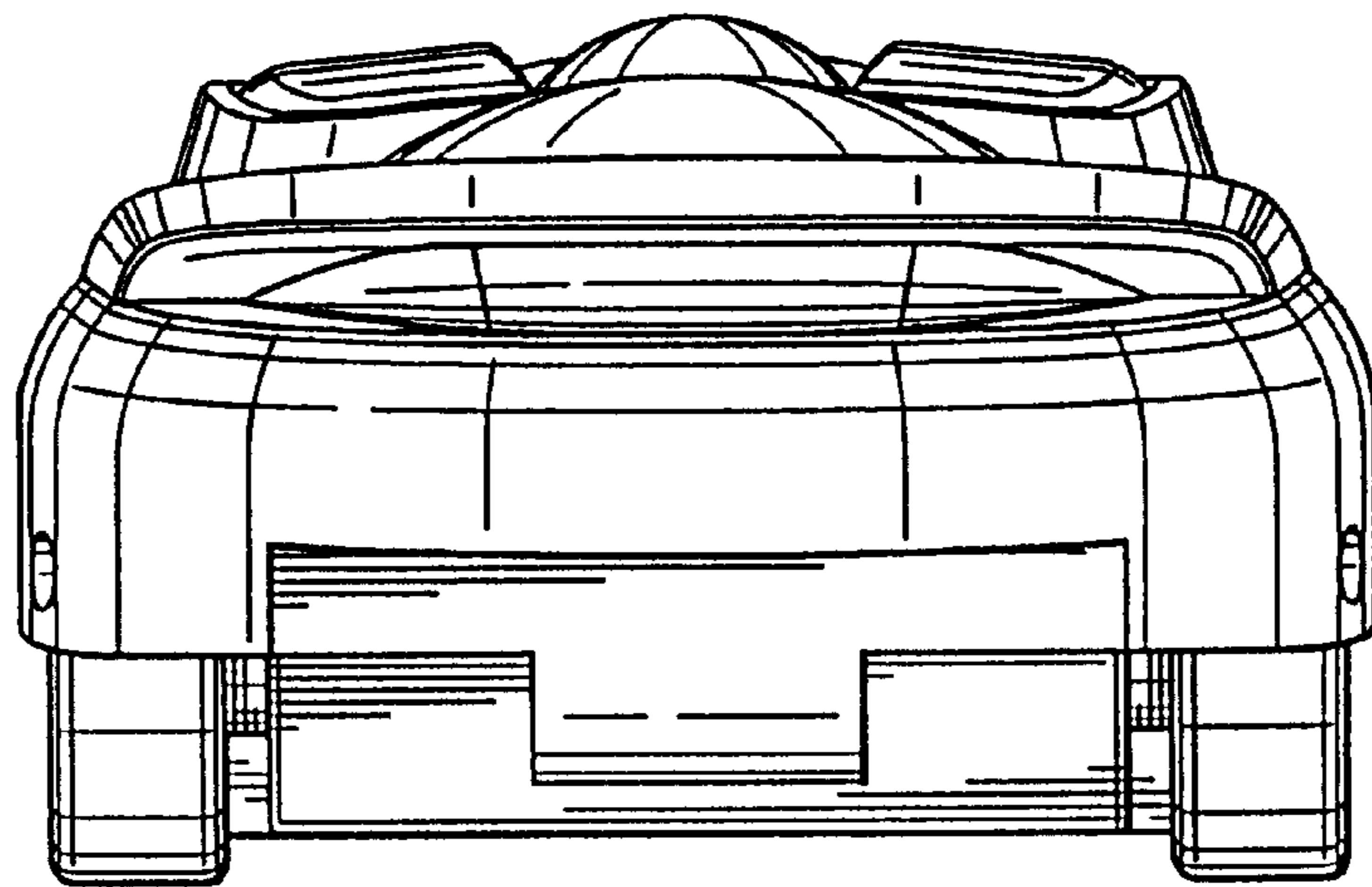


FIG. 2

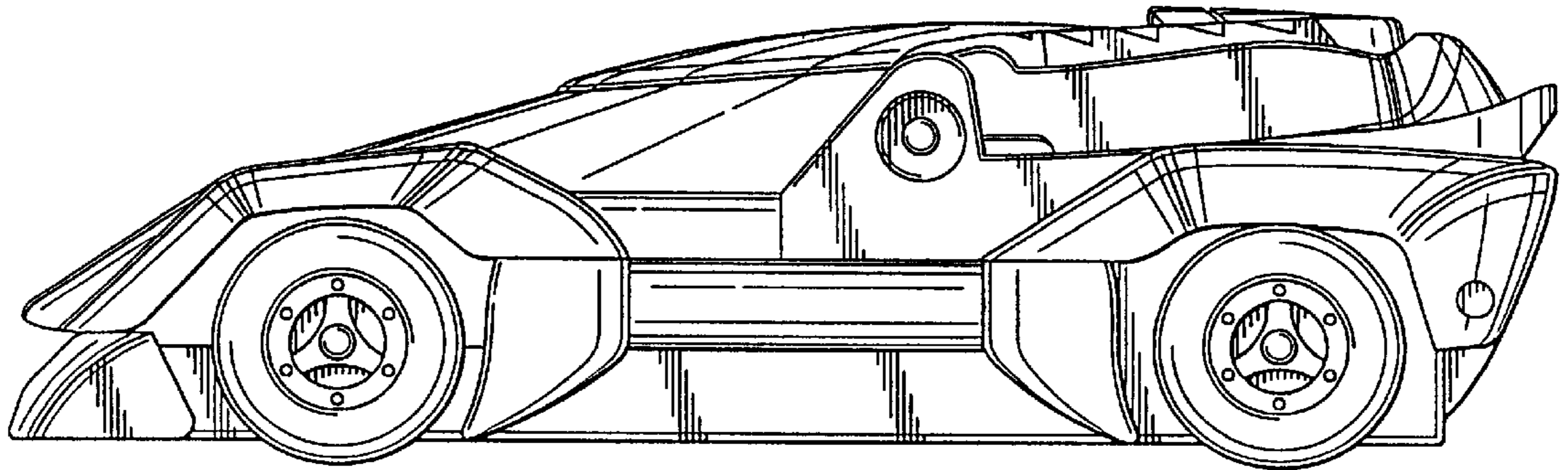


FIG. 4

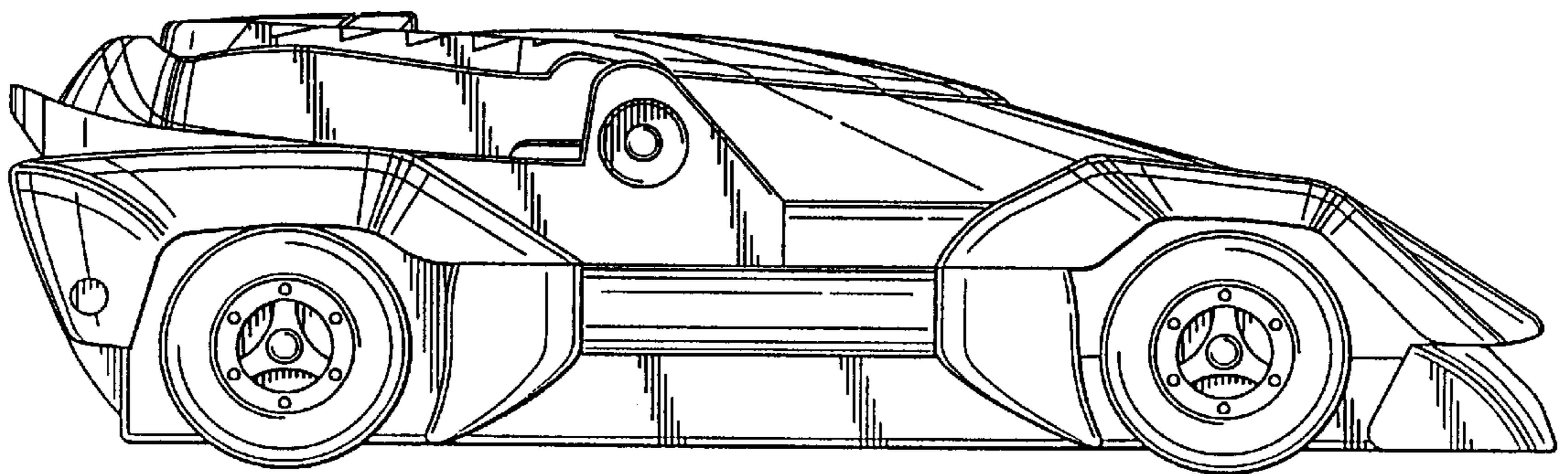


FIG. 3

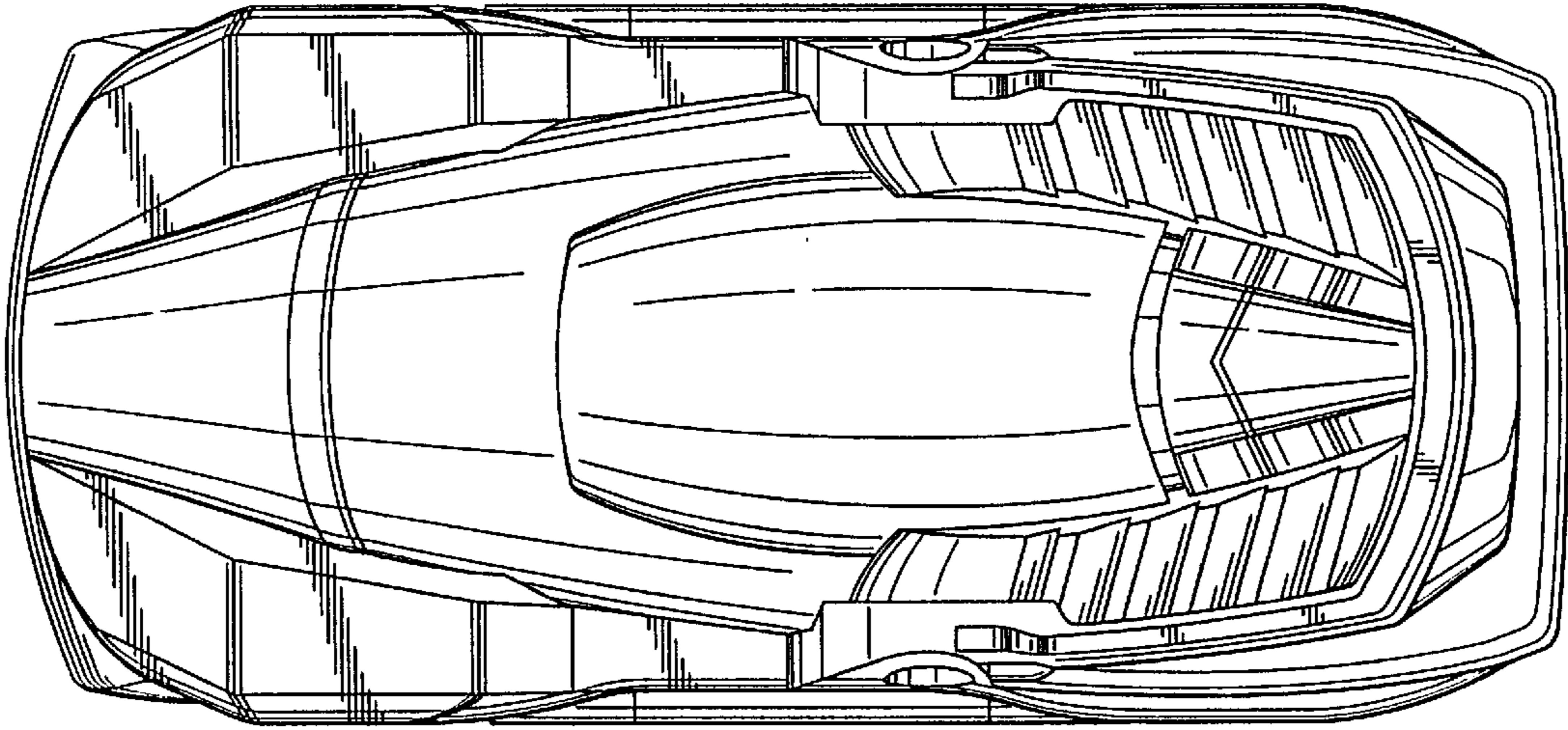


FIG. 5

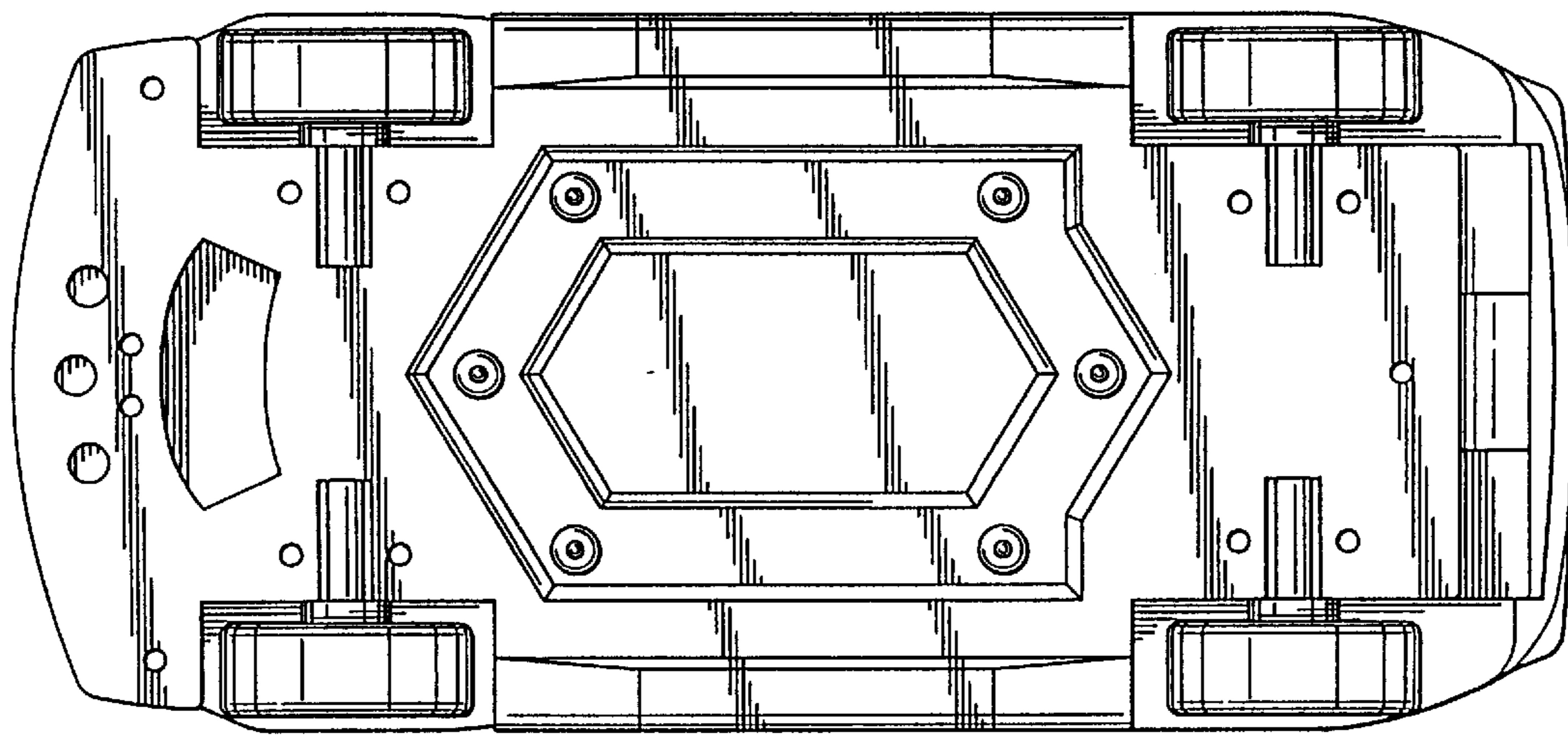


FIG. 6

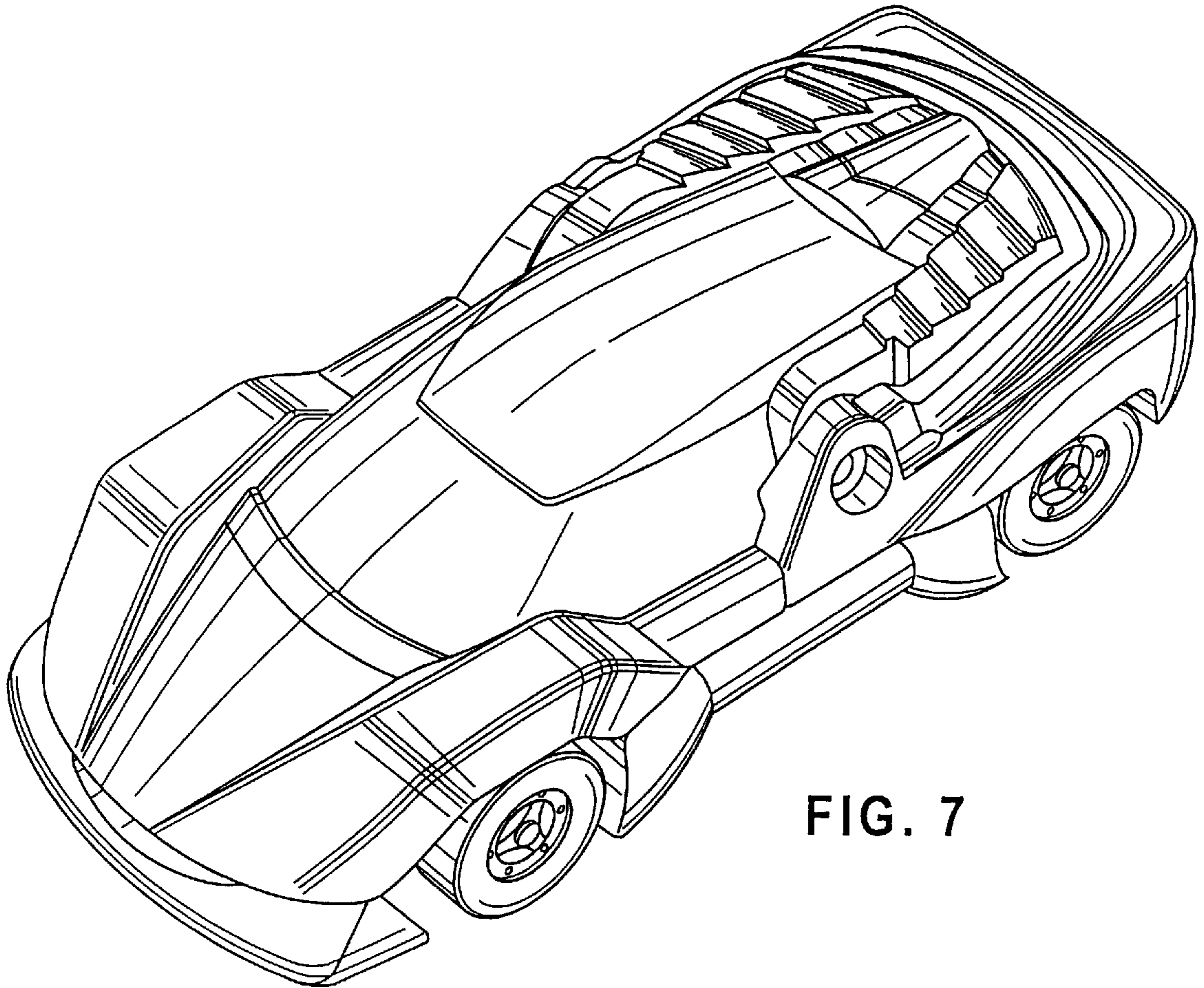


FIG. 7

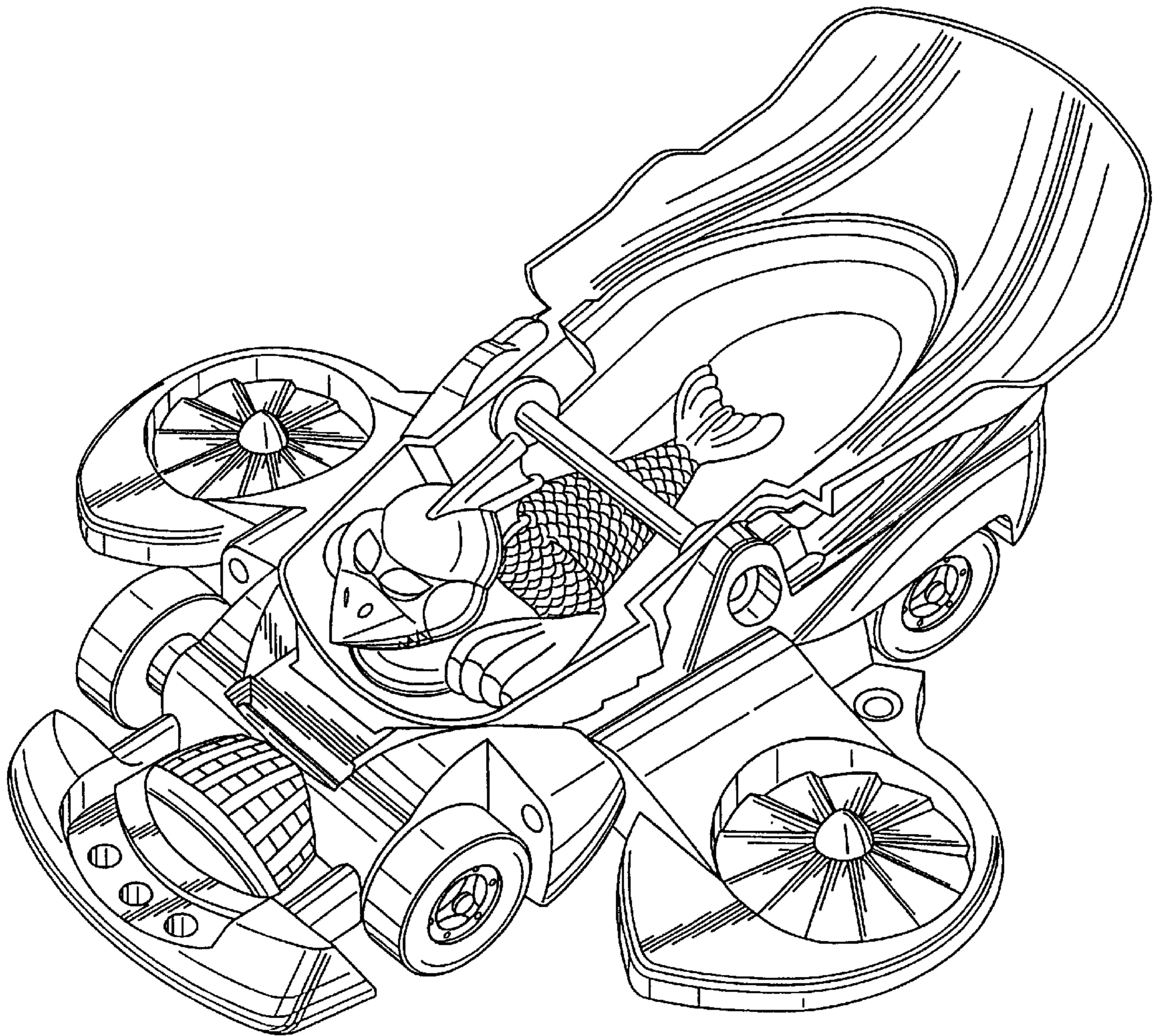


FIG. 8