



US00D424630S

United States Patent [19] Tasy

[11] Patent Number: **Des. 424,630**

[45] Date of Patent: **** May 9, 2000**

[54] **CHILDREN'S RIDE-ON VEHICLE**

D. 397,738 9/1998 Liu D21/434

[75] Inventor: **Ling-Fang Tasy, Tai Pao, Taiwan**

OTHER PUBLICATIONS

[73] Assignee: **Link Treasure Limited, Tortola, Virgin Islands (Br.)**

Sears Wishbook, p. 579, 1992
Ohio Art, p. 39, 1987.

[**] Term: **14 Years**

Primary Examiner—Raphael Barkai
Attorney, Agent, or Firm—W. Wayne Liauh

[21] Appl. No.: **29/107,472**

[57] **CLAIM**

[22] Filed: **Jun. 28, 1999**

The ornamental design for children's ride-on vehicle, as shown and described.

[51] **LOC (7) Cl.** **21-01**

DESCRIPTION

[52] **U.S. Cl.** **D21/433**

[58] **Field of Search** D21/419-435,
D21/533, 552, 554, 559; D12/16, 87-88;
446/424, 425, 427, 433, 454, 456, 457,
462, 465, 470; 280/87.01, 87.021, 828

FIG. 1 is a perspective view of children's ride-on vehicle, showing my new design;
FIG. 2 is a front elevational view thereof;
FIG. 3 is a top view thereof;
FIG. 4 is a left side elevational view thereof;
FIG. 5 is a bottom view.
FIG. 6 is a rear view thereof; and,
FIG. 7 is a right side elevational view thereof.

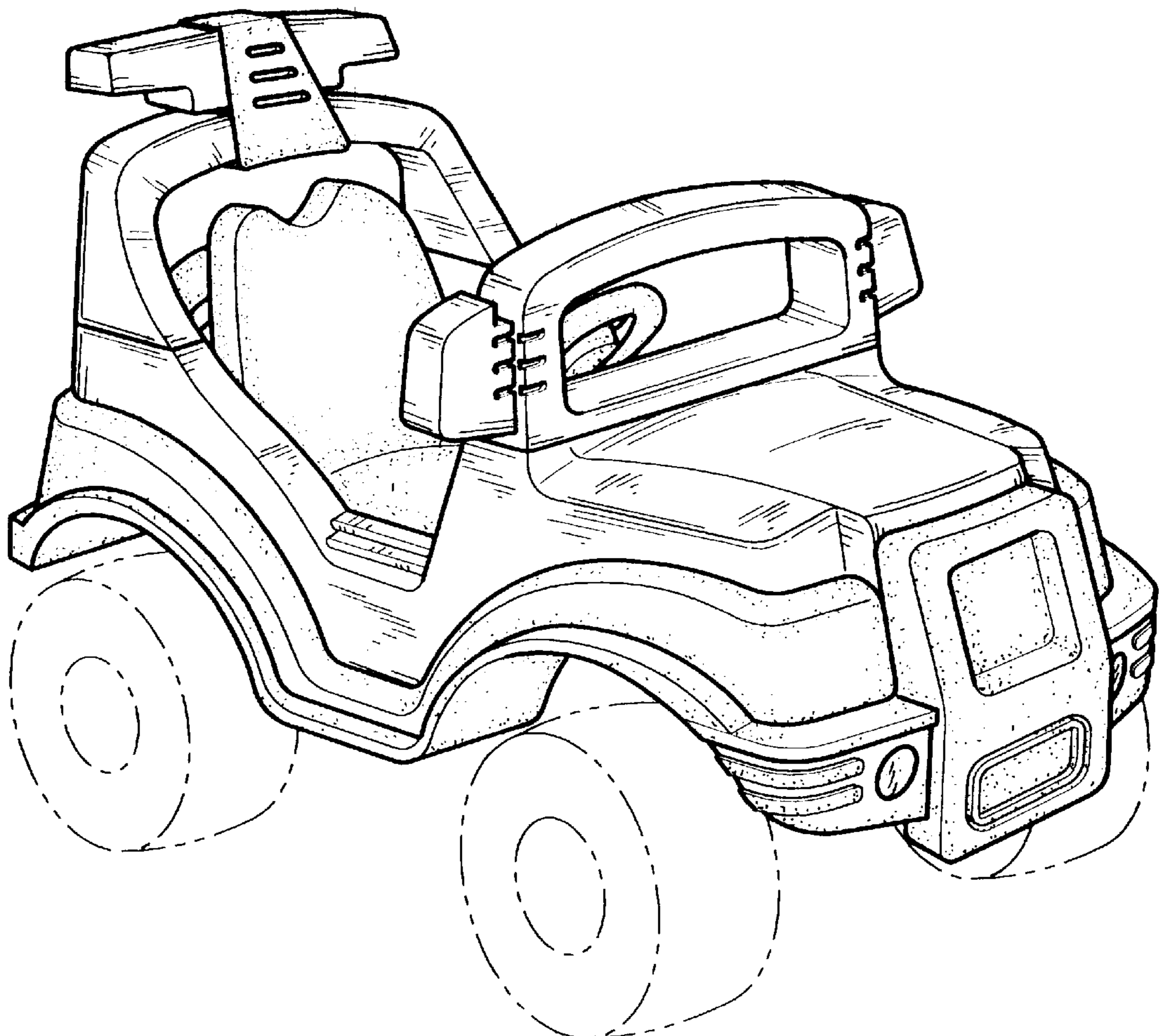
[56] **References Cited**

U.S. PATENT DOCUMENTS

D. 282,087 1/1986 Kassai D21/433
D. 328,317 7/1992 Harrod D21/433
D. 395,023 6/1998 Hikida D12/16
D. 397,737 9/1998 Harrod D21/434

The broken lines shown in FIGS. 1-7 are for illustrative purposes only and form no part of the claimed design.

1 Claim, 7 Drawing Sheets



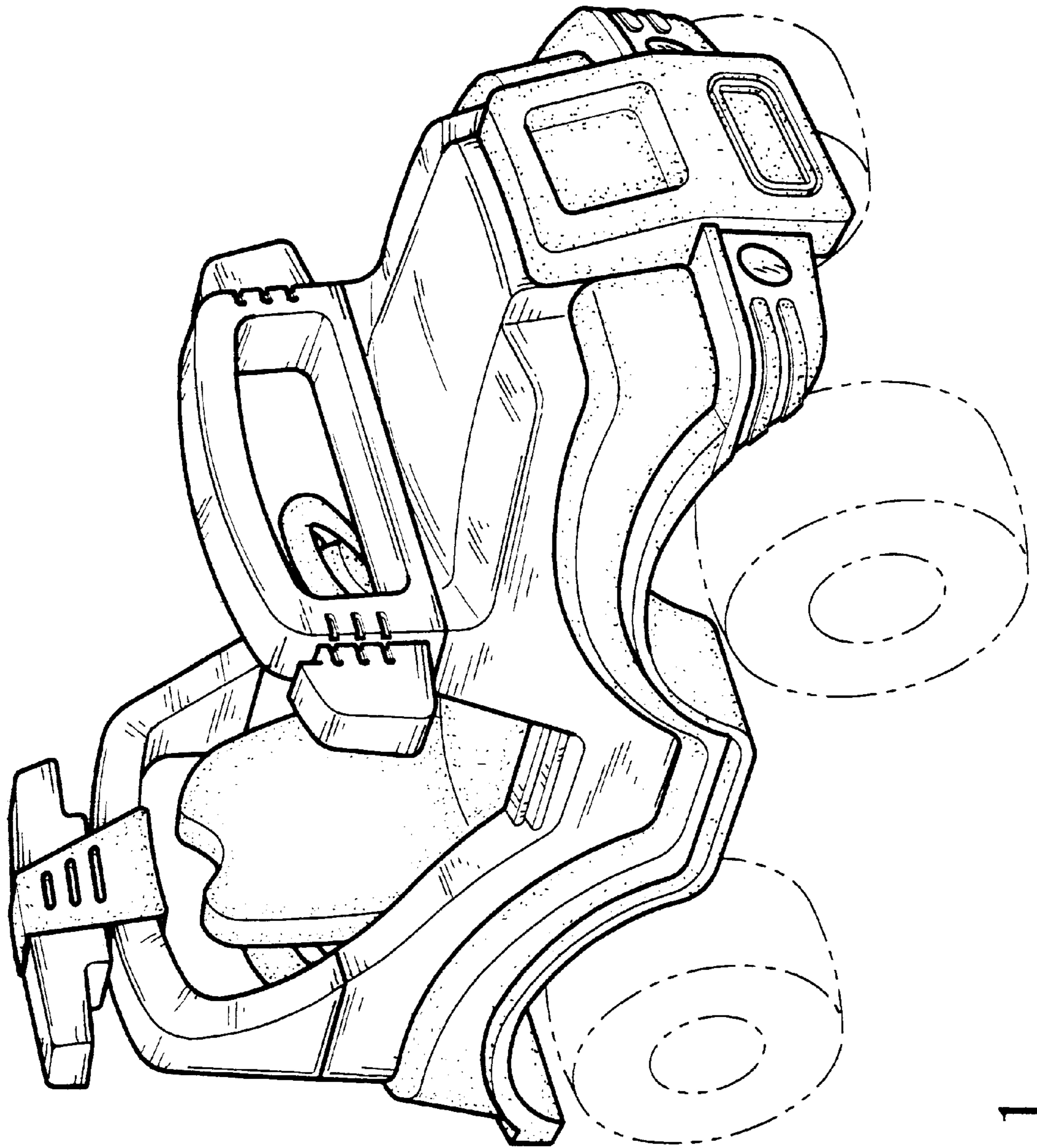


FIG. 1

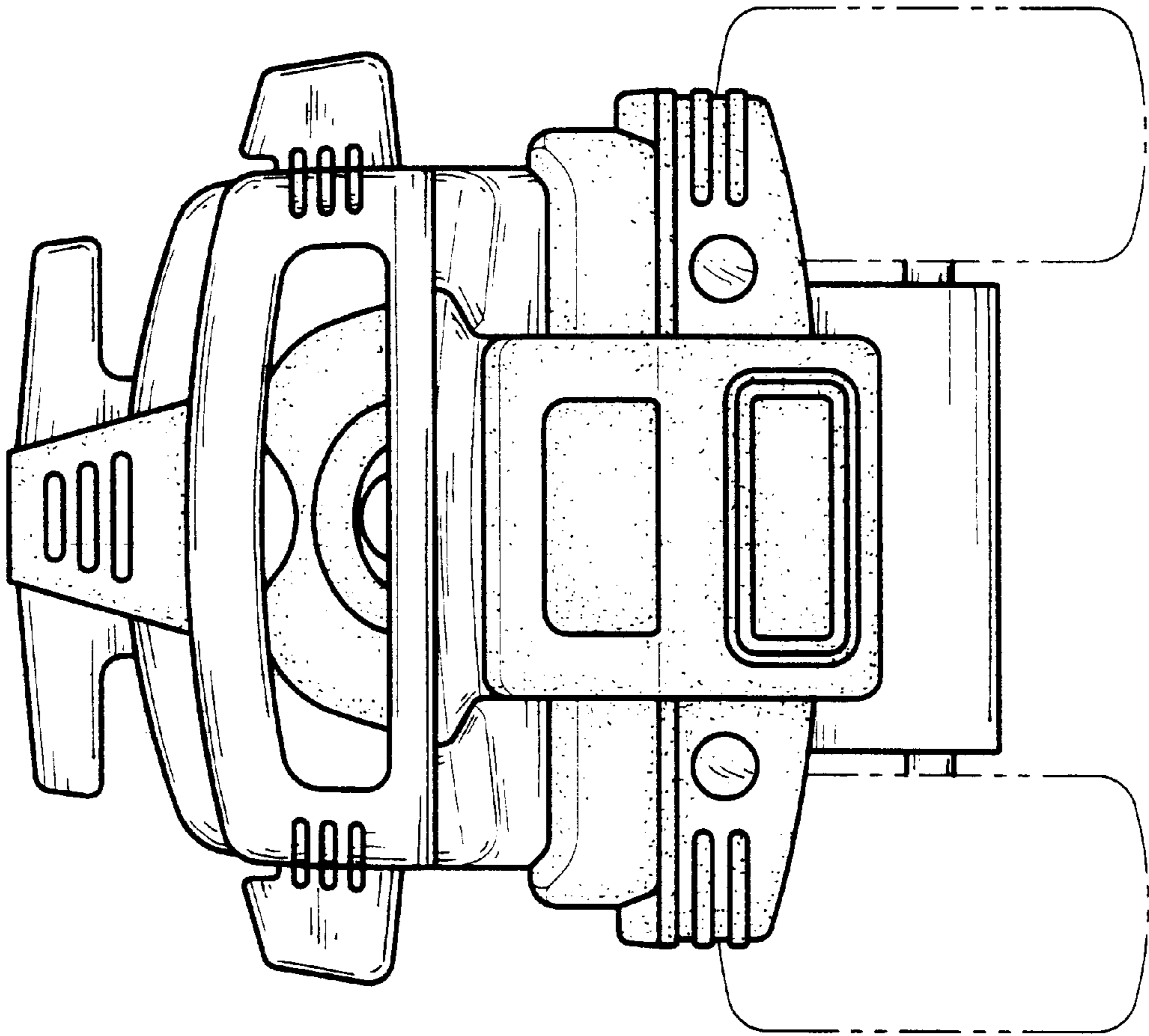


FIG. 2

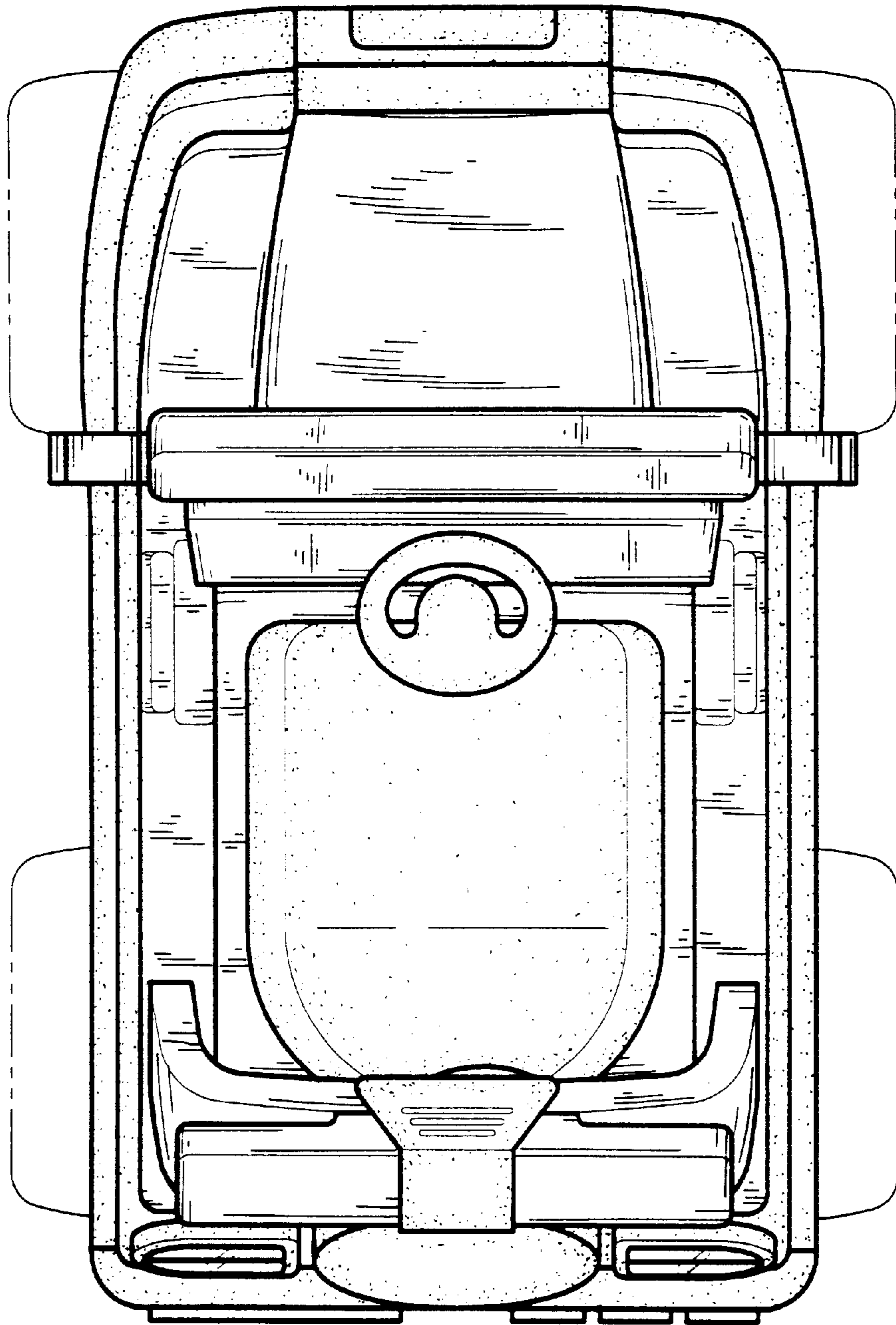


FIG. 3

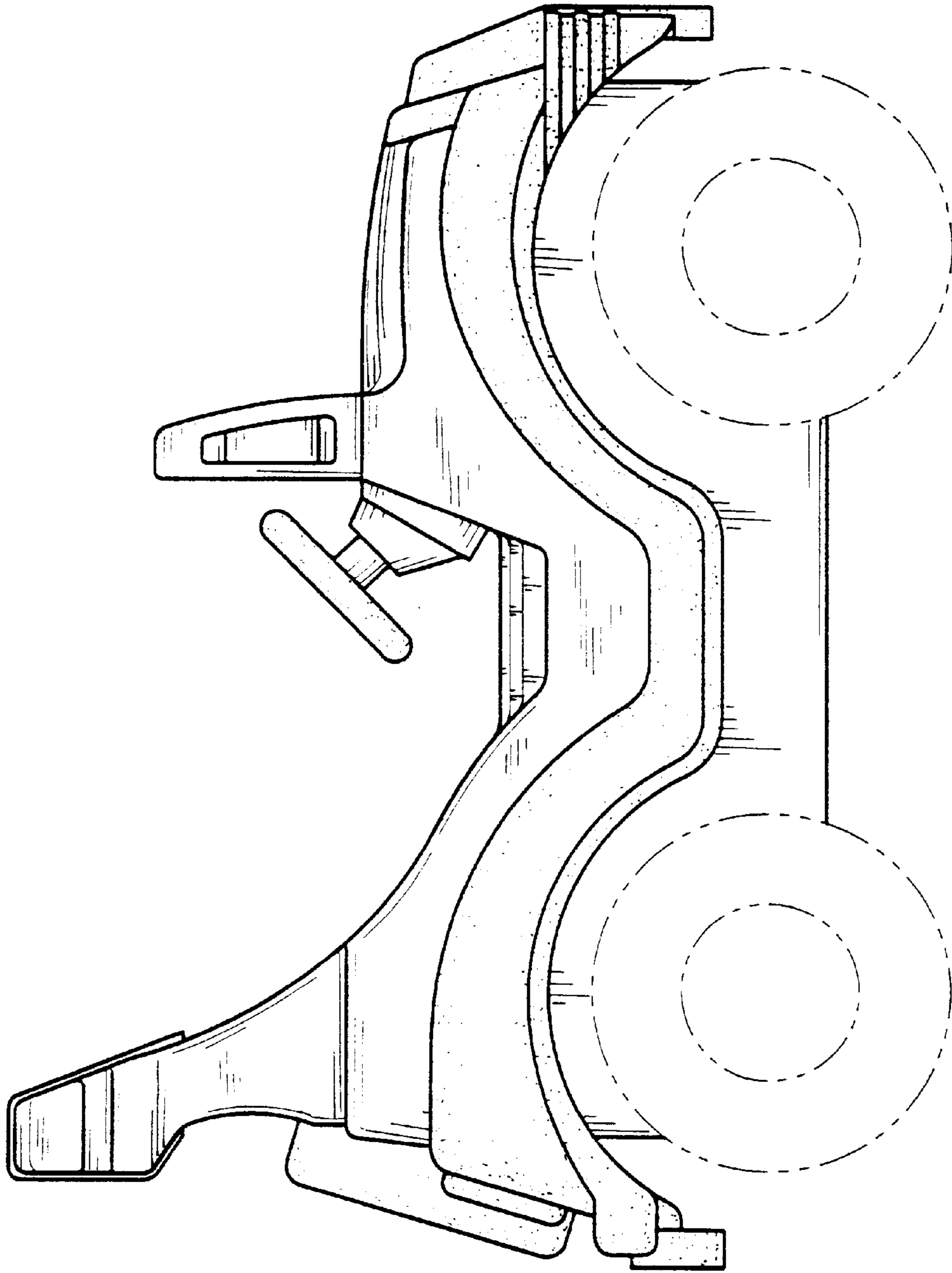


FIG. 4

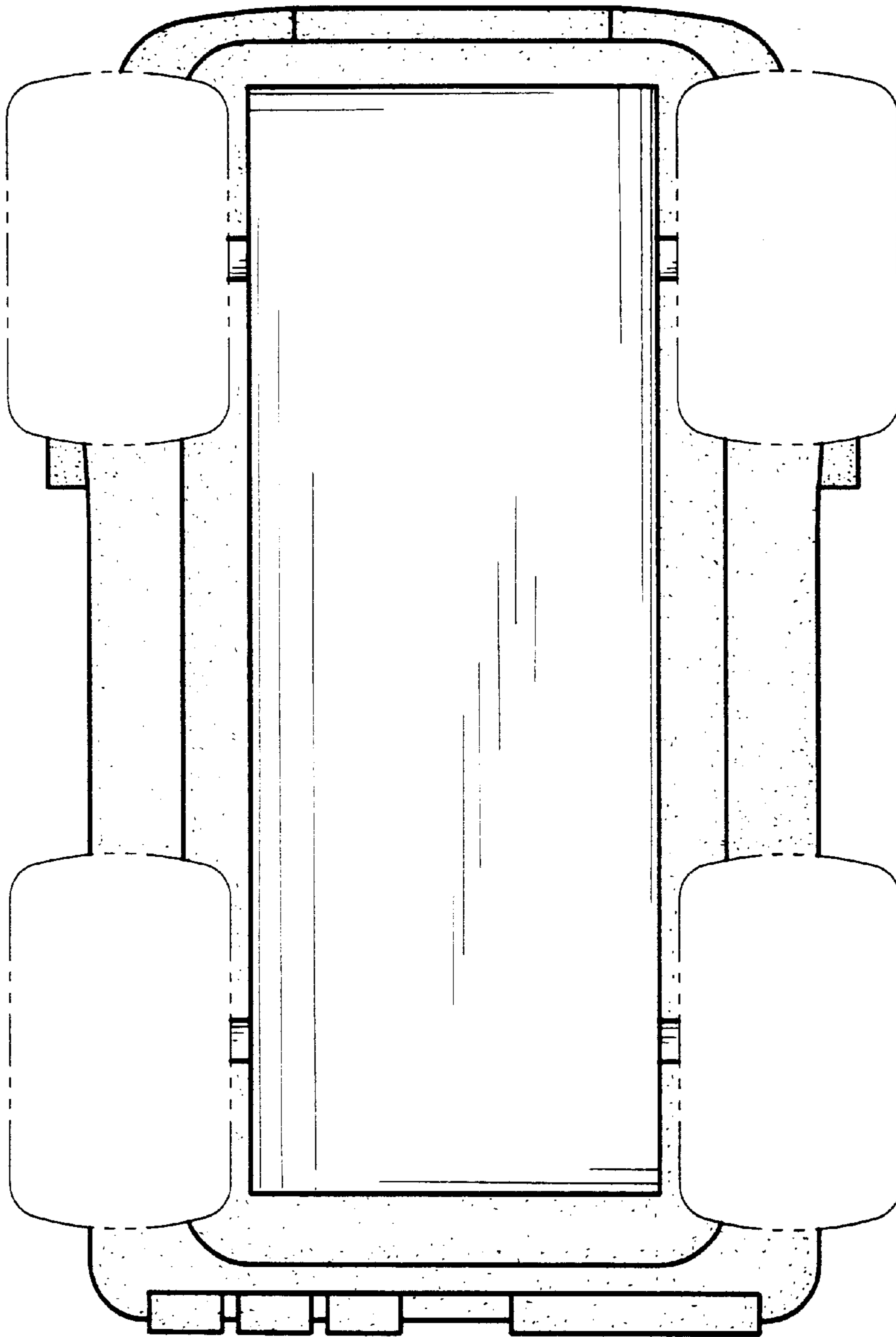


FIG. 5

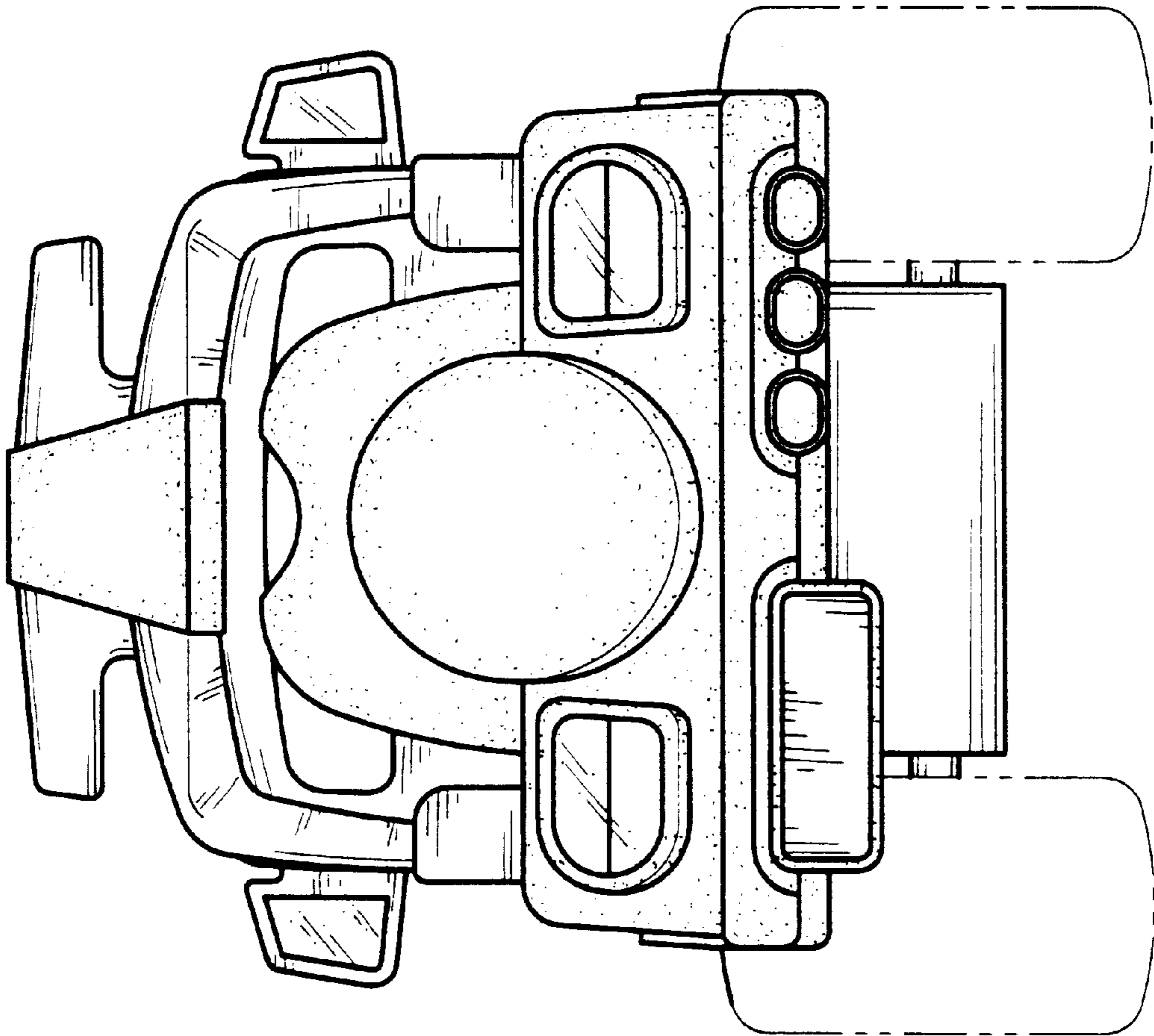


FIG. 6

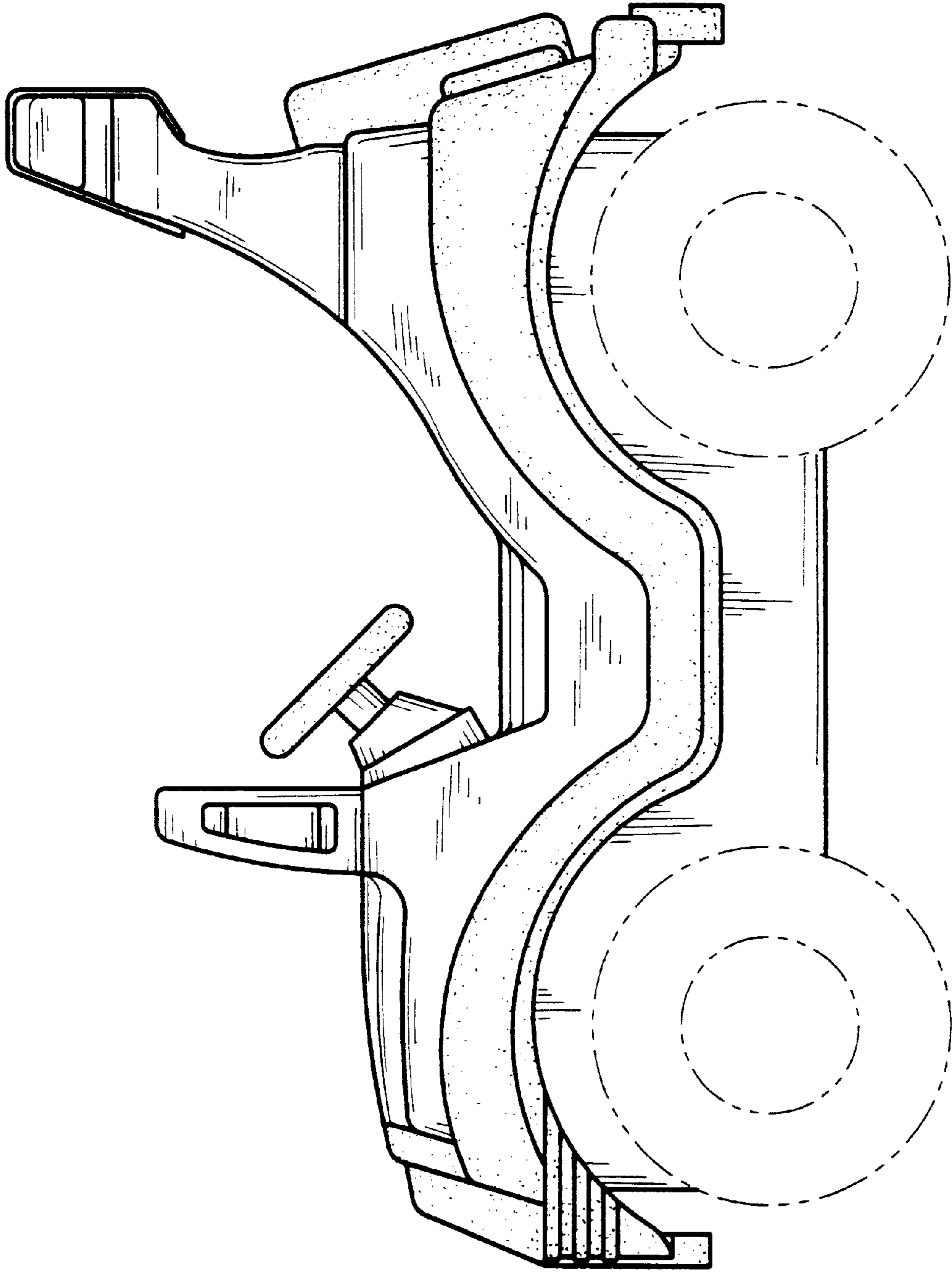


FIG. 7