



US00D424628S

United States Patent [19]

Luciano et al.

[11] **Patent Number: Des. 424,628**

[45] **Date of Patent: ** May 9, 2000**

[54] **SYMBOL INDICATOR FOR A GAMING DEVICE**

D. 406,615	3/1999	Griswold et al.	D21/370
4,517,558	5/1985	Davids	273/143 R
5,775,692	7/1998	Watts et al.	273/143 R

[75] Inventors: **Robert A. Luciano; Kurt W. Spencer,**
both of Reno, Nev.

[73] Assignee: **Sierra Design Group,** Reno, Nev.

[**] Term: **14 Years**

[21] Appl. No.: **29/100,098**

[22] Filed: **Feb. 3, 1999**

[51] **LOC (7) Cl.** **21-03**

[52] **U.S. Cl.** **D21/369; D14/114.9; D21/385**

[58] **Field of Search** **D21/369-371;**
273/142 R, 143 R; 463/20; D14/114.1-114.3,
114.9

[56] **References Cited**

U.S. PATENT DOCUMENTS

D. 395,426	6/1998	Chiba	D14/114.2
D. 400,519	11/1998	Marshall, Jr. et al.	D14/114.1

OTHER PUBLICATIONS

U.S. Games, Inc. brochure, Pot O Gold Casino Game.

Primary Examiner—Sandra L. Morris
Attorney, Agent, or Firm—Ian F. Burns

[57] **CLAIM**

The ornamental design for a symbol indicator for a gaming device, as shown and described.

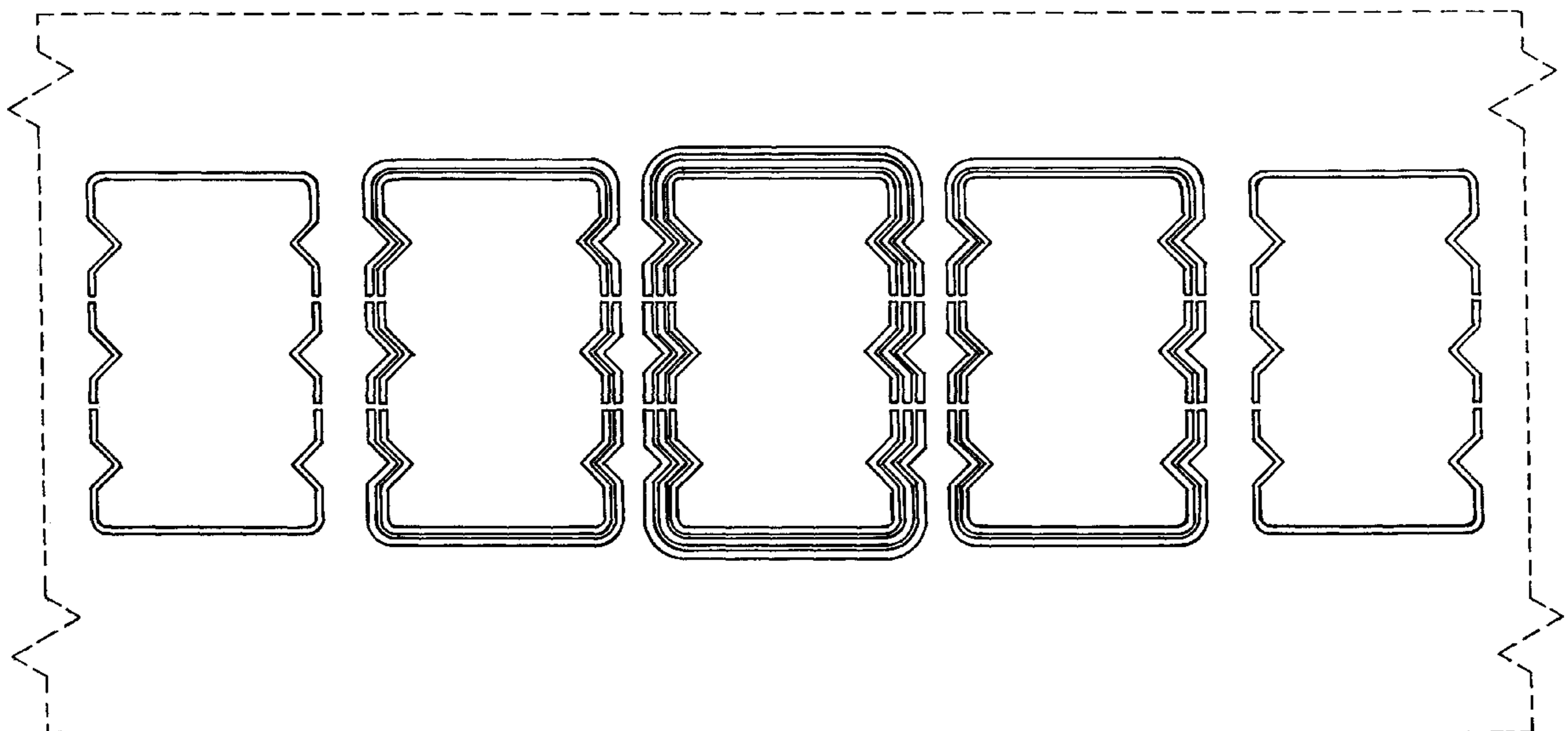
DESCRIPTION

FIG. 1 is a front view of a symbol indicator for a gaming device, showing our new design;

FIG. 2 is a front view of a second embodiment thereof; and, FIG. 3 is a front view of a third embodiment thereof.

Broken lines illustrate features or environmental components that are not part of the design sought to patented.

1 Claim, 3 Drawing Sheets



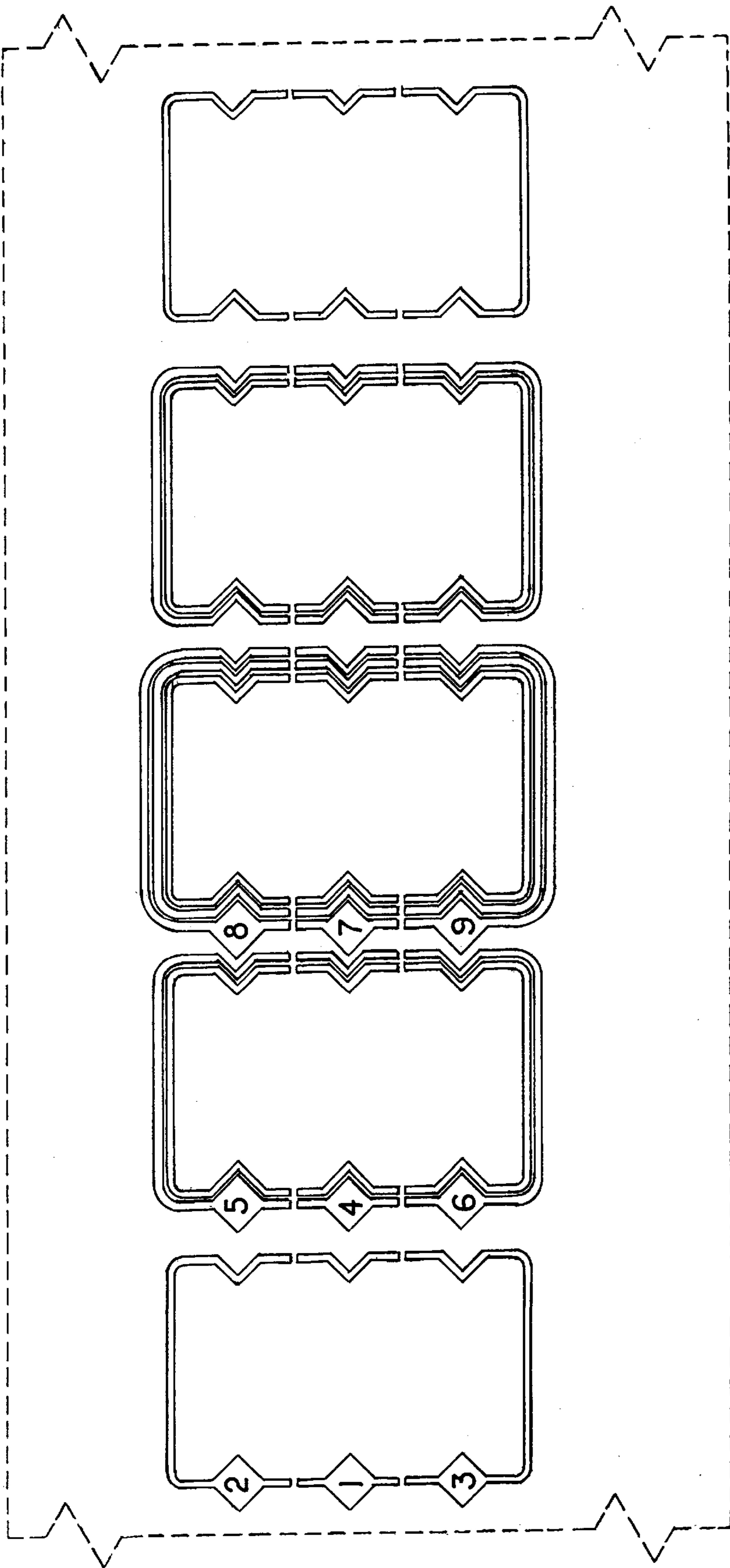


FIG. 1

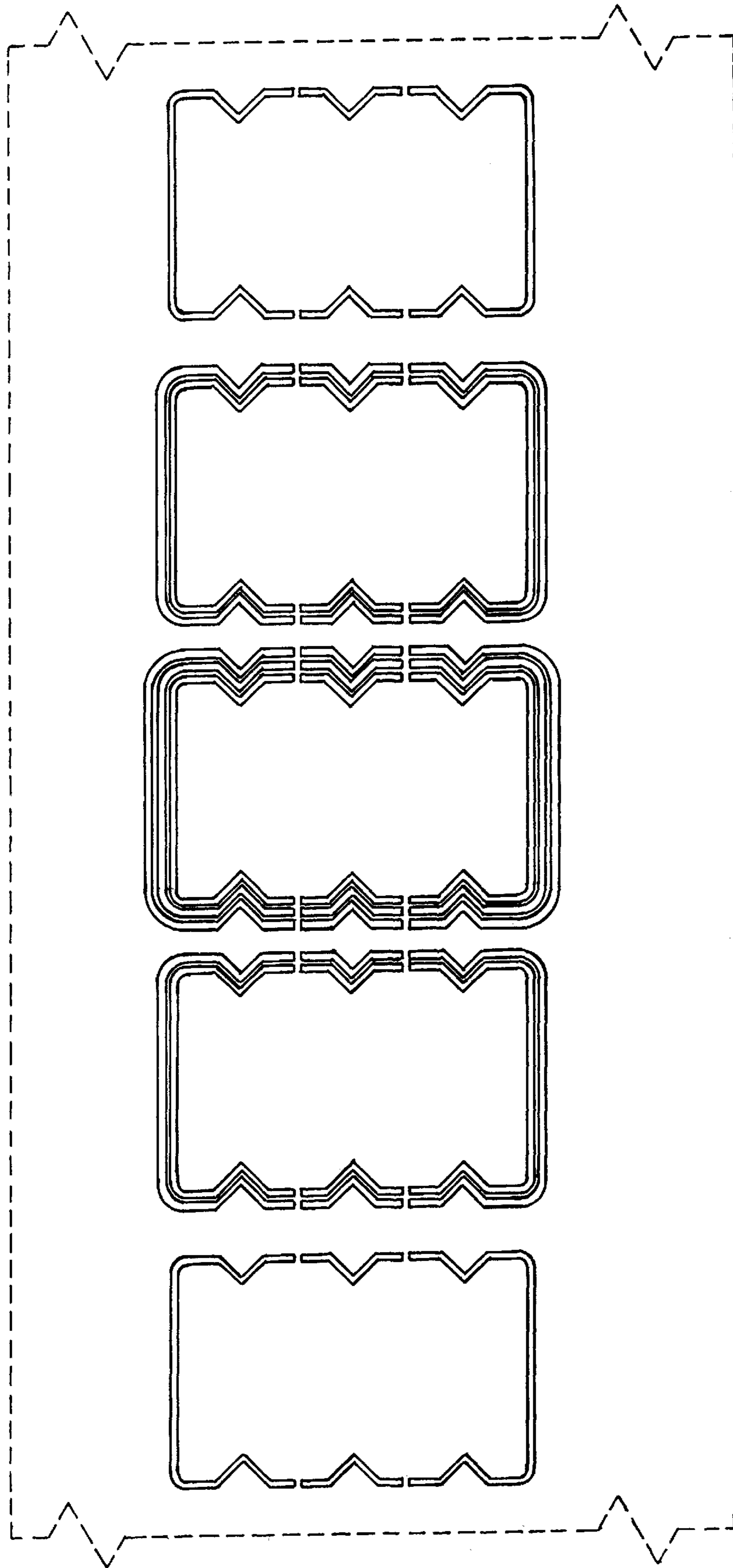


FIG. 2

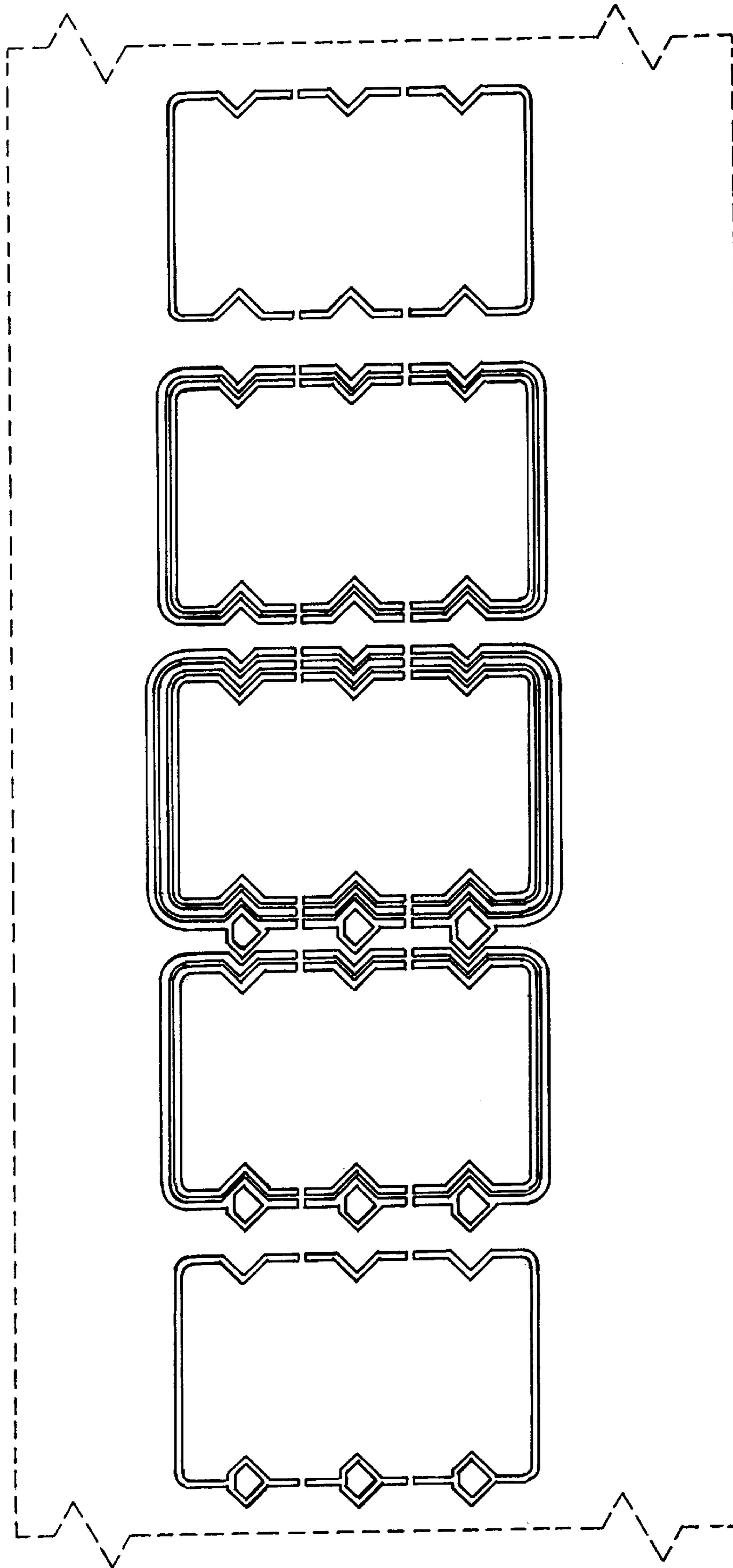


FIG. 3