



US00D424625S

**United States Patent** [19]  
**Yamazaki**

[11] **Patent Number: Des. 424,625**

[45] **Date of Patent: \*\* May 9, 2000**

[54] **TOY FIGURINE**

[75] **Inventor: Tomohiro Yamazaki, Tokyo, Japan**

[73] **Assignee: Tomy Company Ltd., Tokyo, Japan**

[\*\*] **Term: 14 Years**

[21] **Appl. No.: 29/062,749**

[22] **Filed: Nov. 22, 1996**

[51] **LOC (7) Cl. .... 21-01**

[52] **U.S. Cl. .... D21/150; D21/161**

[58] **Field of Search .... D21/148, 150,  
D21/151, 159, 161, 187; 446/97, 268, 269,  
279, 280, 283, 286, 289, 290, 291, 292,  
369**

[56] **References Cited**

**U.S. PATENT DOCUMENTS**

D. 162,513 3/1951 Brice ..... D21/154  
D. 261,161 10/1981 Ohkawa ..... D21/159  
D. 267,896 2/1983 Nuttall et al. .... D21/150

D. 268,506 4/1983 Tung ..... D21/161  
D. 269,535 6/1983 Tung ..... D21/159  
D. 373,801 9/1996 Doi et al. .... D21/148

**OTHER PUBLICATIONS**

Playwell 1994 Catalogue, p. 123, Big Ear Dog, center left.

*Primary Examiner*—Sandra L. Morris  
*Attorney, Agent, or Firm*—Staas & Halsey

[57] **CLAIM**

The ornamental design for a toy figurine, as shown.

**DESCRIPTION**

FIG. 1 is a front elevational view of a toy figurine, showing my new design;

FIG. 2 is a rear elevational view thereof;

FIG. 3 is a right side elevational view thereof;

FIG. 4 is a left side elevational view thereof;

FIG. 5 is a top plan view thereof; and,

FIG. 6 is a bottom plan view thereof.

**1 Claim, 3 Drawing Sheets**

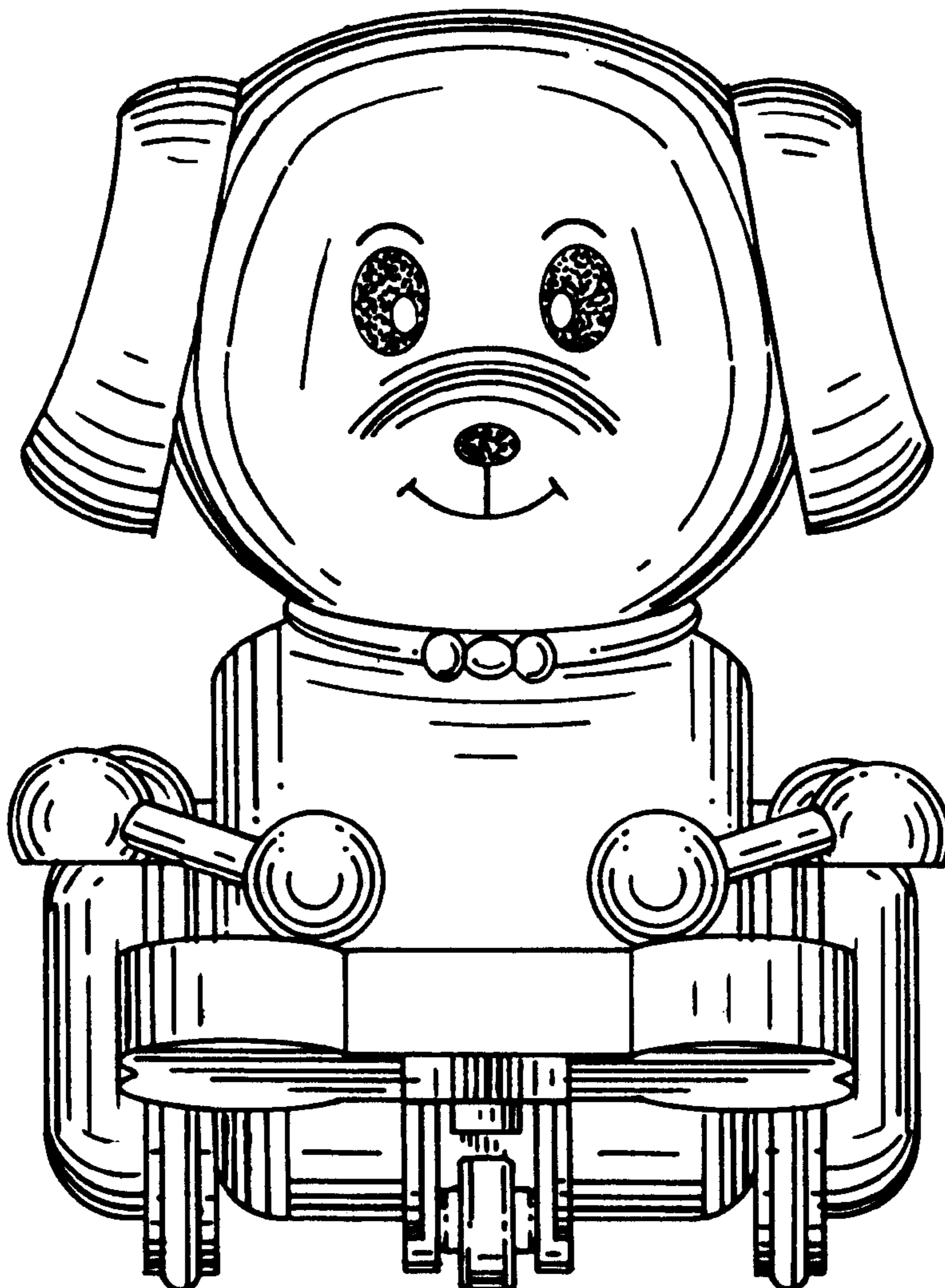


FIG. 2

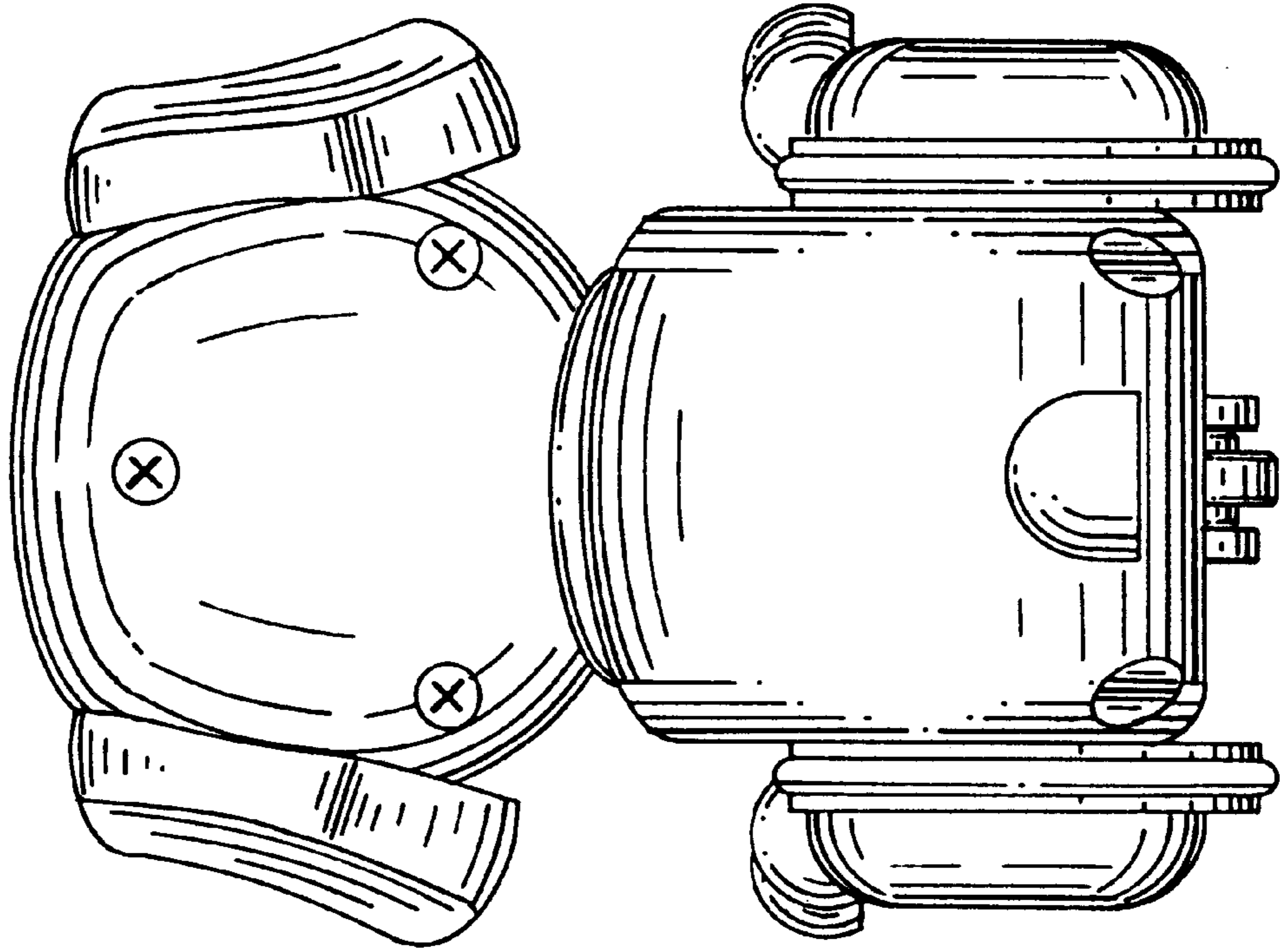


FIG. 1

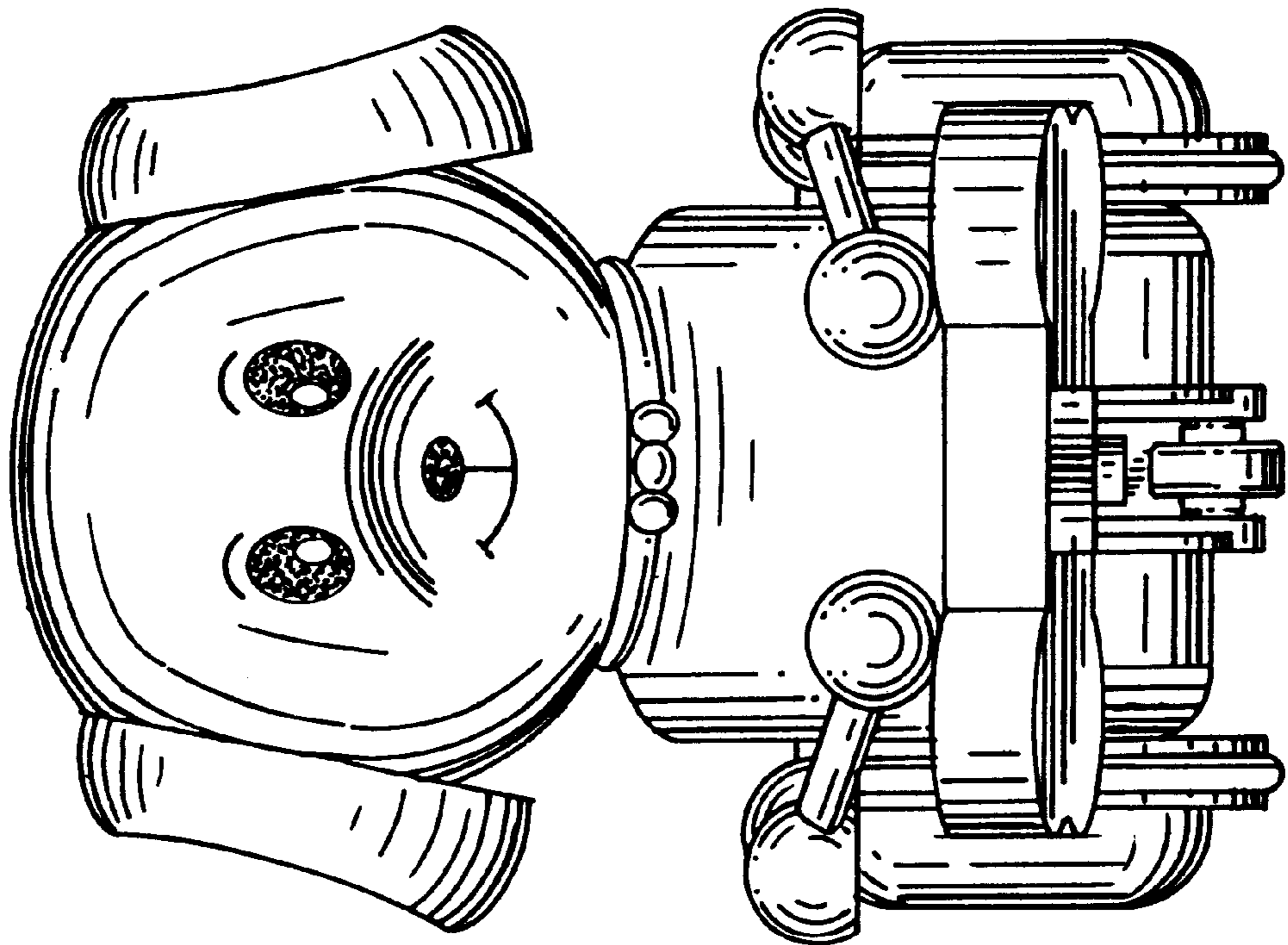


FIG. 4

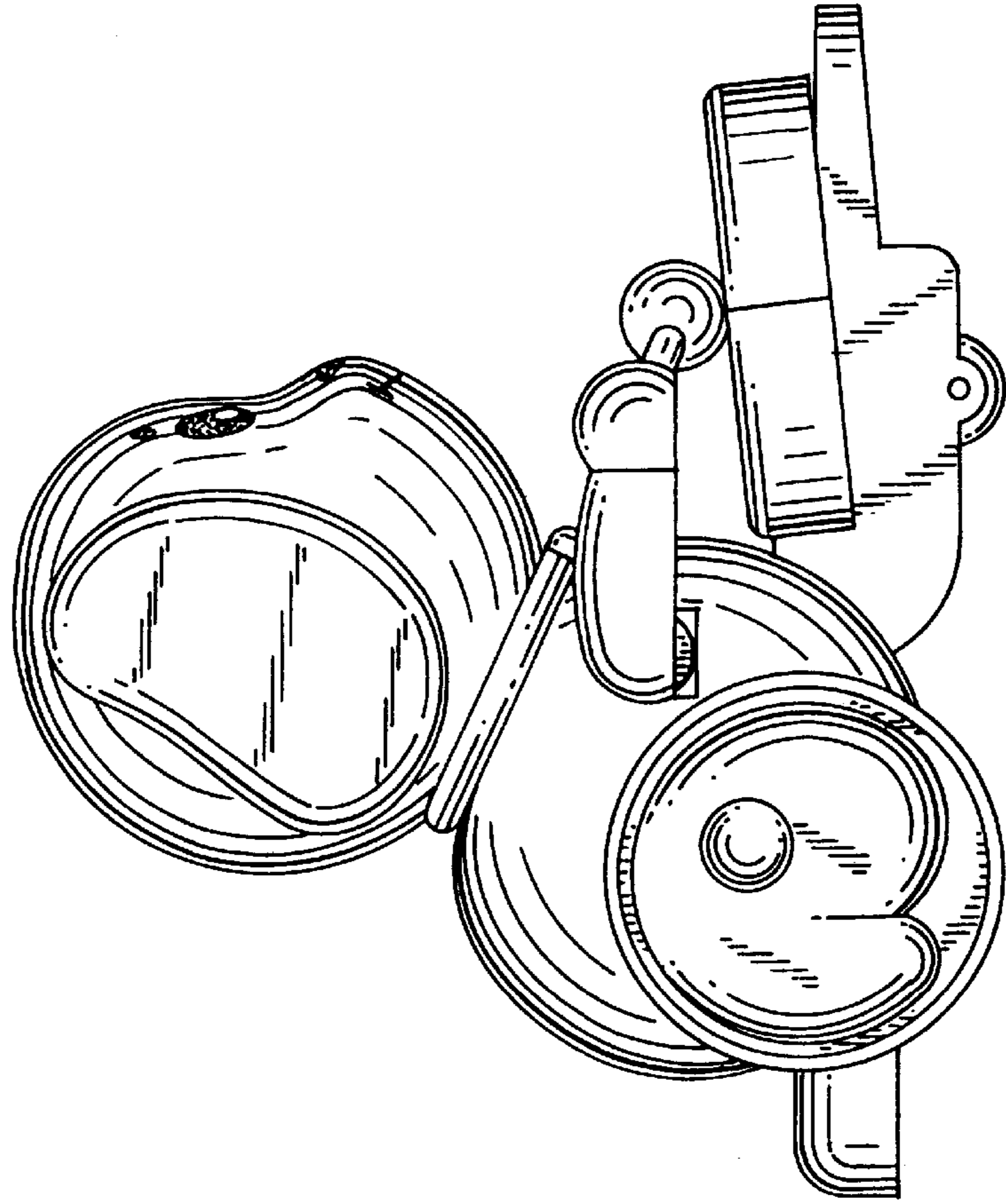


FIG. 3

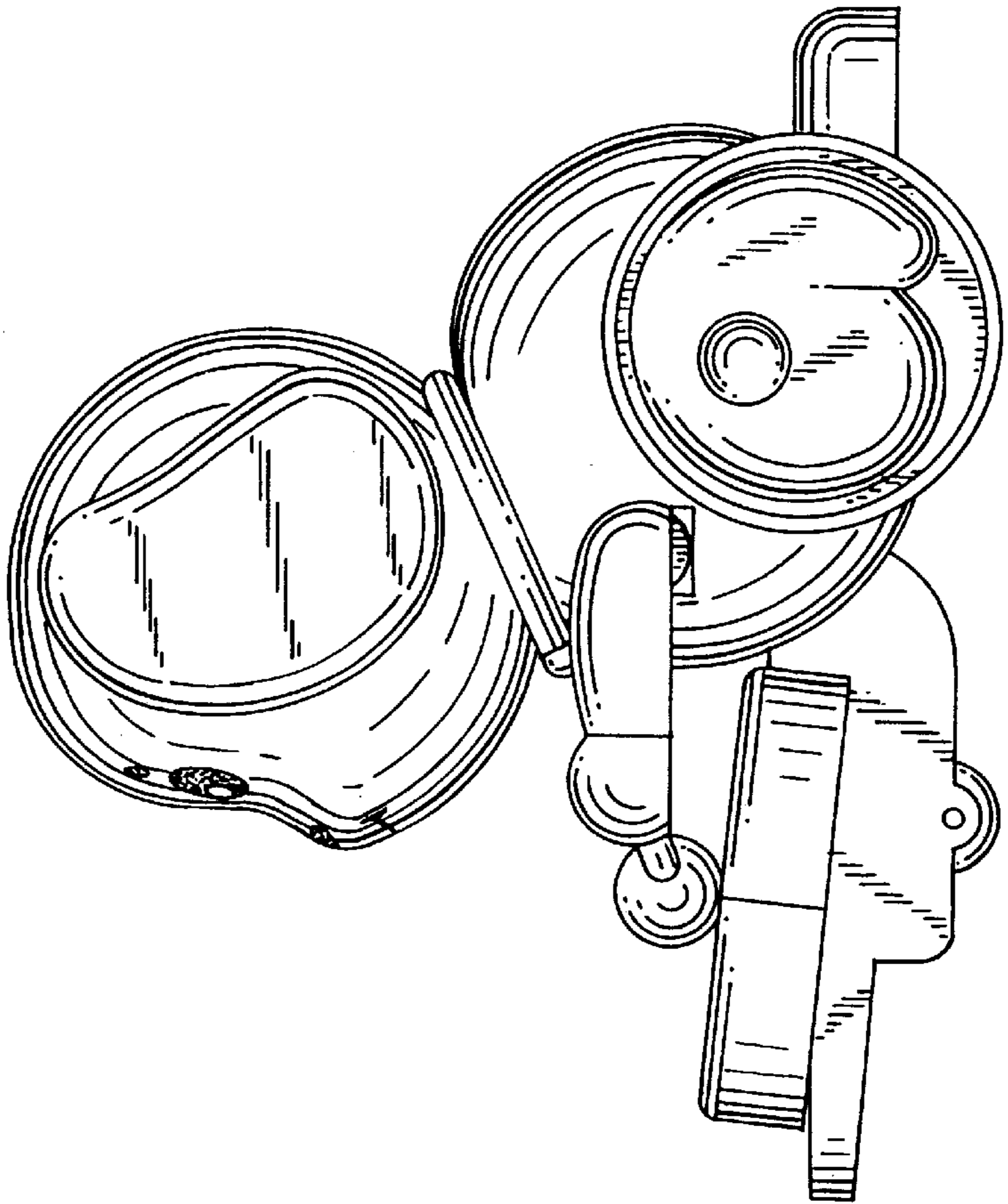




FIG. 5

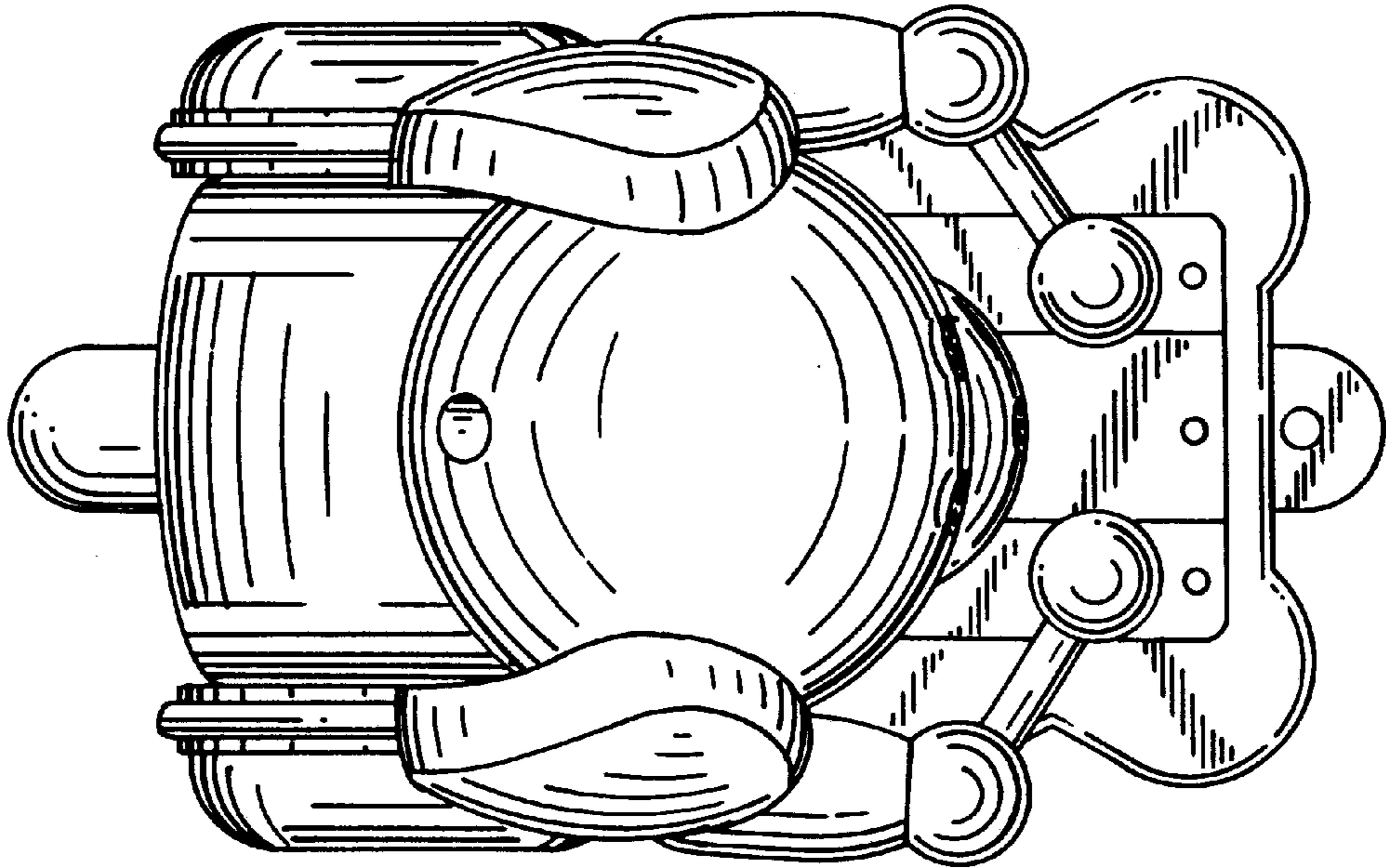


FIG. 6

