



US00D424623S

# United States Patent [19]

[11] **Patent Number: Des. 424,623**

**Villarreal et al.**

[45] **Date of Patent: \*\* May 9, 2000**

[54] **NOTCHED TRANSPARENT INDEX TAB WITH LABEL RESTRAINT**

[75] Inventors: **Irma Villarreal**, Cd. Juarez Chih., Mexico; **Russ D. Pollman**, Pomona; **Brian A. Jones**, Chino Hills, both of Calif.

[73] Assignee: **Avery Dennison Corporation**, Pasadena, Calif.

[\*\*] Term: **14 Years**

[21] Appl. No.: **29/096,085**

[22] Filed: **Nov. 4, 1998**

[51] **LOC (7) Cl.** ..... **19-99**

[52] **U.S. Cl.** ..... **D19/99; D19/32**

[58] **Field of Search** ..... D19/32, 33, 26-31, D19/75, 86, 90, 99, 100; 281/1, 38, 45, 51; 402/79, 80 R; 40/359, 360; 283/81, 36-42; 229/67.1-67.4, 928; 211/11

[56] **References Cited**

**U.S. PATENT DOCUMENTS**

D. 186,559	11/1959	Talley .....	D19/99
D. 416,939	11/1999	Marsy .....	D19/33
1,218,557	3/1917	Hubb, Jr. .	
1,370,424	3/1921	Gale .	
1,397,096	11/1921	Hammer .	
1,781,070	11/1930	Mitchell .	
1,848,098	3/1932	Aigner .	
1,971,996	8/1934	Tete .	
2,448,435	8/1948	Johnson .....	281/45
2,545,014	3/1951	Andersen .	
2,633,849	4/1953	Daniel et al. .	
2,689,571	9/1954	Watkins .....	40/360

3,039,470	6/1962	Podner .	
3,164,917	1/1965	Harper .	
3,643,363	2/1972	Biro .....	40/359
3,683,533	8/1972	Kelly .	
3,735,515	5/1973	Lagert .	
5,135,261	8/1992	Cusack et al. ....	283/81
5,236,766	8/1993	Cole .	
5,909,979	6/1999	Winzen .....	402/79

**OTHER PUBLICATIONS**

English Translation of Japanese Reference 59-128833.

*Primary Examiner*—Martie K. Holtje  
*Attorney, Agent, or Firm*—Oppenheimer Wolff & Donnelly LLP

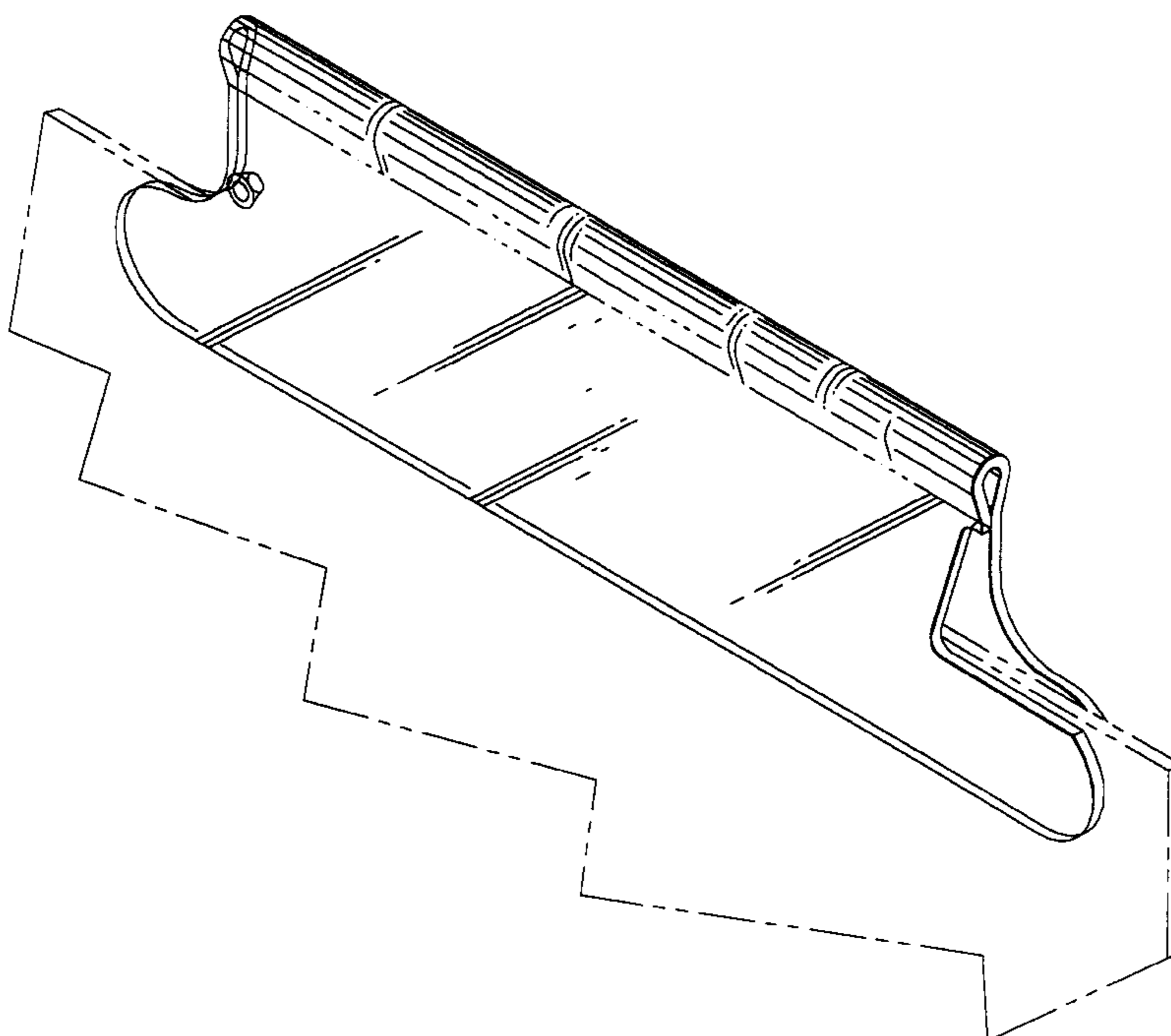
[57] **CLAIM**

The ornamental design for a notched transparent index tab with label restraint, as shown and described.

**DESCRIPTION**

FIG. 1 is a perspective view of a notched transparent index tab with label restraint showing our new design; FIG. 2 is an enlarged perspective view of our notched transparent index tab with label restraint, as shown in FIG. 1; FIG. 3 is a front elevational view thereof; FIG. 4 is a left side elevational view thereof; FIG. 5 is a right side elevational view thereof; FIG. 6 is a top plan view thereof; FIG. 7 is a bottom plan view thereof; and, FIG. 8 is a rear elevational view thereof. The index divider in FIG. 1 and the portion thereof in FIGS. 2 through 8 have been shown for illustrative purposes only and form no part of the claimed design.

**1 Claim, 4 Drawing Sheets**



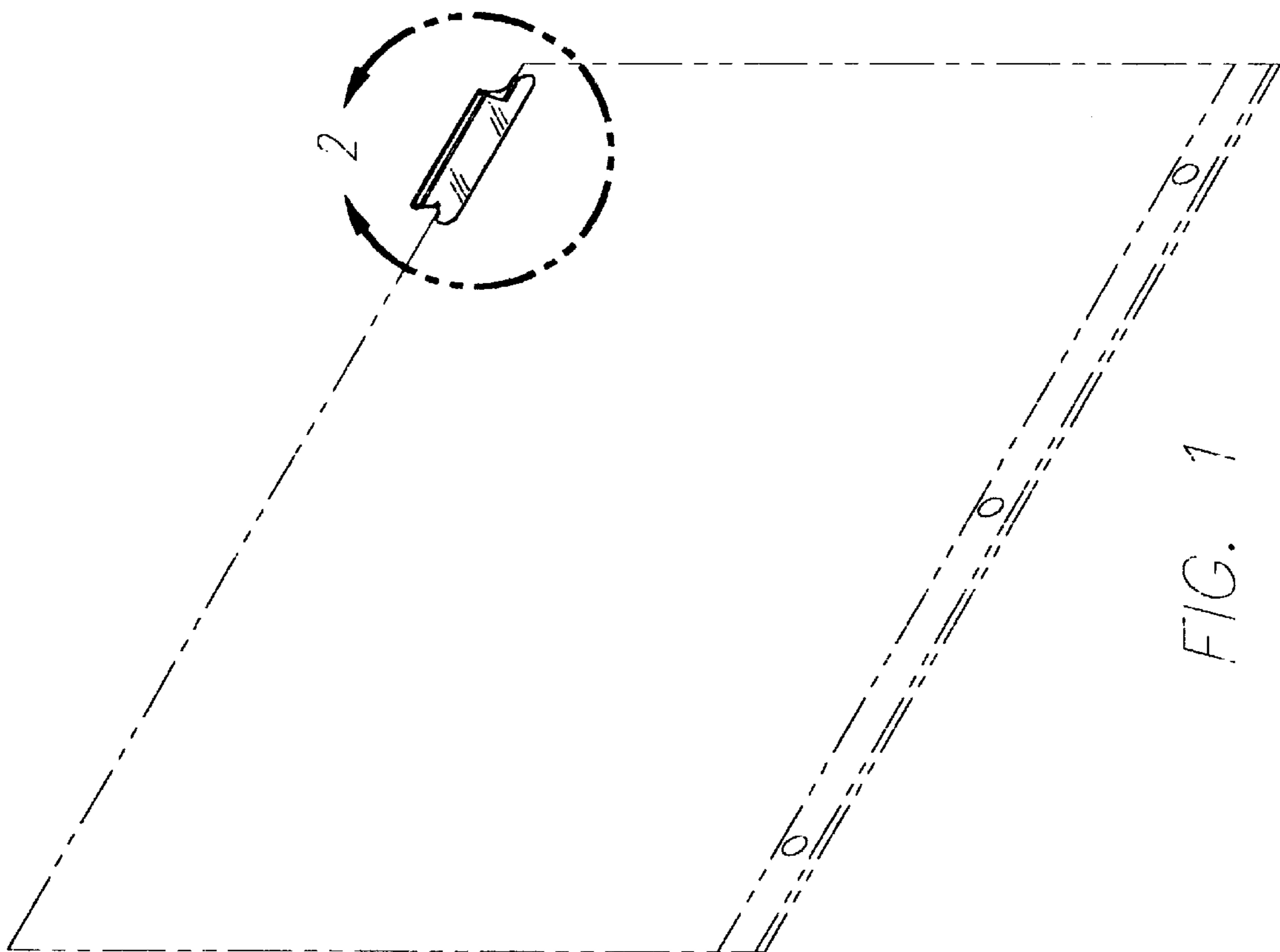


FIG. 1

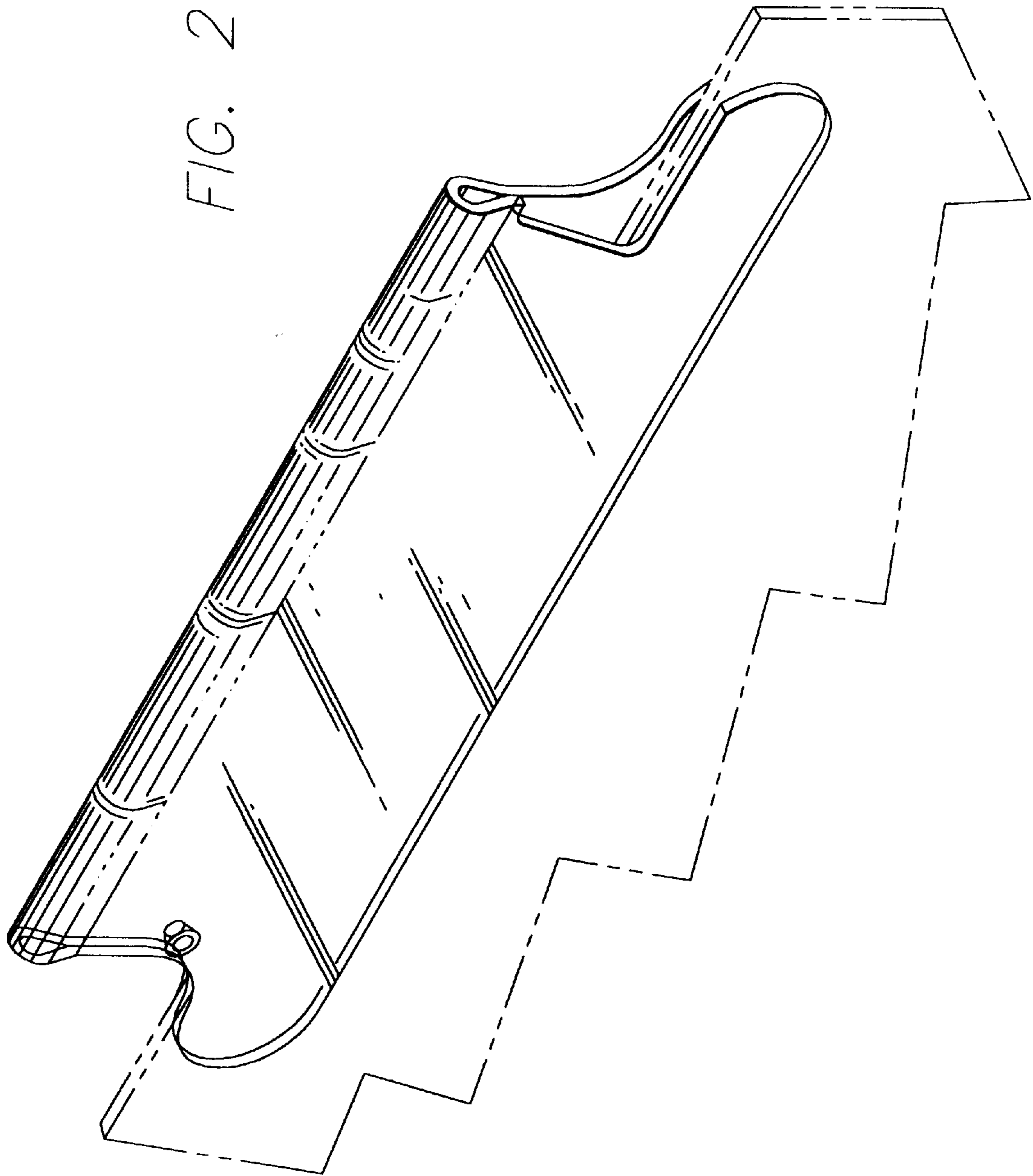


FIG. 6



FIG. 4

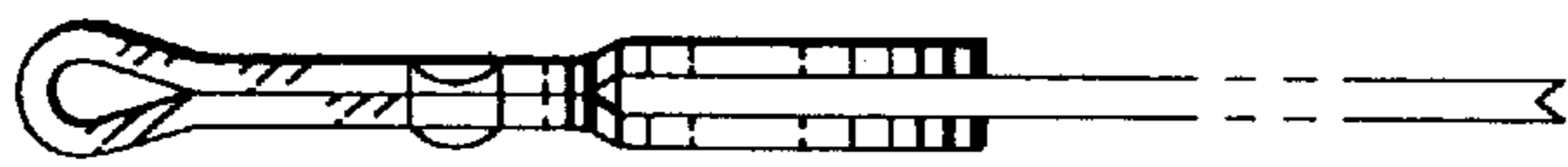


FIG. 3

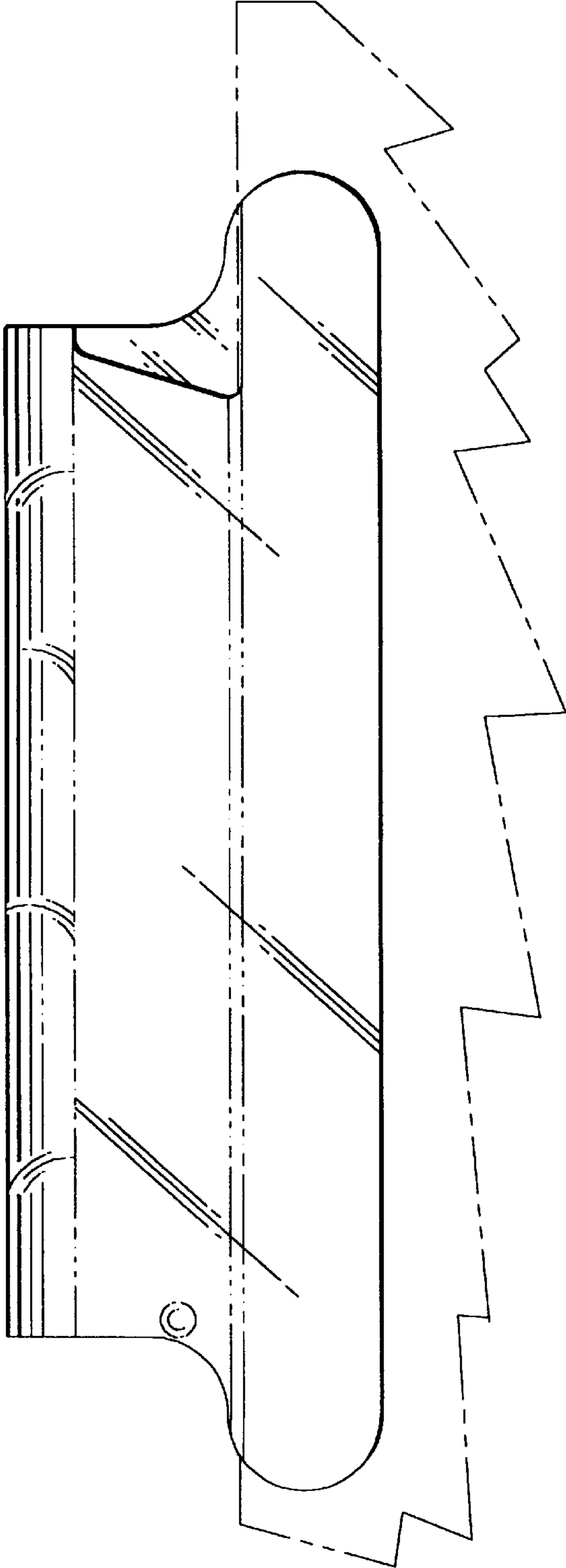


FIG. 5

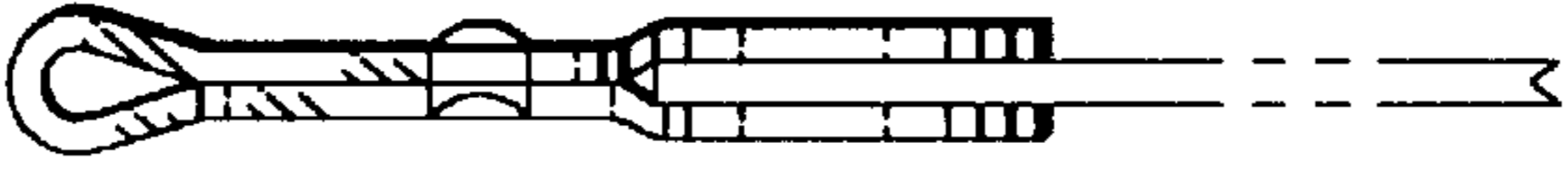


FIG. 7



FIG. 8

