



US00D424622S

# United States Patent [19] Moor

[11] Patent Number: Des. 424,622

[45] Date of Patent: \*\* May 9, 2000

[54] **CONTOUR OF A PARTIAL END PORTION OF A CLOSURE FLAP AND BUTTON OF A PORTFOLIO OR BINDER**

[75] Inventor: **Marc L. Moor**, Dayton, Ohio

[73] Assignee: **The Mead Corporation**, Dayton, Ohio

[\*\*] Term: **14 Years**

[21] Appl. No.: **29/094,131**

[22] Filed: **Sep. 25, 1998**

[51] **LOC (7) Cl.** ..... **19-02**

[52] **U.S. Cl.** ..... **D19/99; D19/90**

[58] **Field of Search** ..... D19/65, 75, 76, D19/78, 86, 90, 91, 26-28, 32, 33; 281/3.1, 15.1, 21.1, 28, 29, 31, 38; 402/79, 80 R; 229/67.1-67.4, 72, 77; 206/232, 425

[56] **References Cited**

**U.S. PATENT DOCUMENTS**

1,040,200	10/1912	Hoffner .....	229/77
1,199,634	9/1916	Urmston .	
1,294,324	2/1919	Vierengel .	
1,336,092	4/1920	Schenkelberger .	
1,445,298	2/1923	Curnan .....	229/77
1,464,240	8/1923	Curnan .....	229/77
1,619,215	3/1927	Olgay .	
1,668,372	5/1928	Kleebauer et al. ....	229/77
1,759,255	5/1930	Greenhaus .	
1,788,418	1/1931	Andrews .	

1,827,468	10/1931	Guina .	
2,219,198	10/1940	Reineman .....	229/77
2,374,798	5/1945	Berkowitz .....	229/77
2,385,576	9/1945	Israel .....	229/77
2,538,689	1/1951	Ihling .....	206/7
3,889,873	6/1975	Clough .....	229/72
5,015,011	5/1991	York .....	281/18
5,464,108	11/1995	Samelson .....	215/386

*Primary Examiner*—Martie K. Holtje  
*Attorney, Agent, or Firm*—Thompson Hine & Flory LLP

[57] **CLAIM**

The ornamental design for a contour of a partial end portion of a closure flap and a button of a portfolio or binder, as shown and described.

**DESCRIPTION**

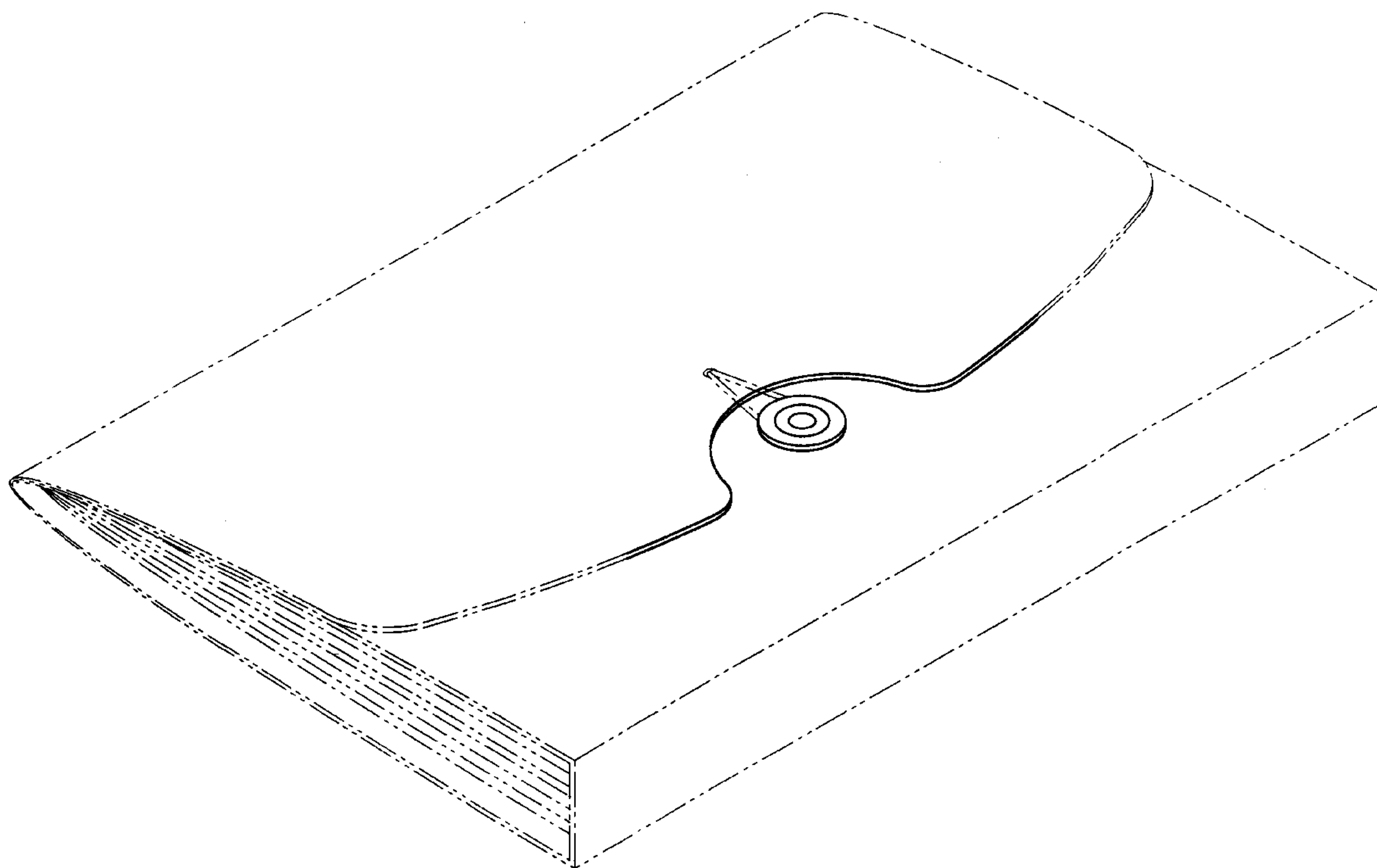
FIG. 1 is an isometric view showing a contour of a partial end portion of a closure flap and button of a portfolio or binder incorporating the present invention.

FIG. 2 is a top view of the contour of a partial end portion of a closure flap and button of a portfolio or binder of FIG. 1; and,

FIG. 3 is a side view of the contour of a partial end portion of a closure flap and button of a portfolio or binder of FIG. 1.

The file folder depicted by means of broken lines in the figures has been shown for illustrative purposes only and forms no part of the claimed design.

**1 Claim, 3 Drawing Sheets**



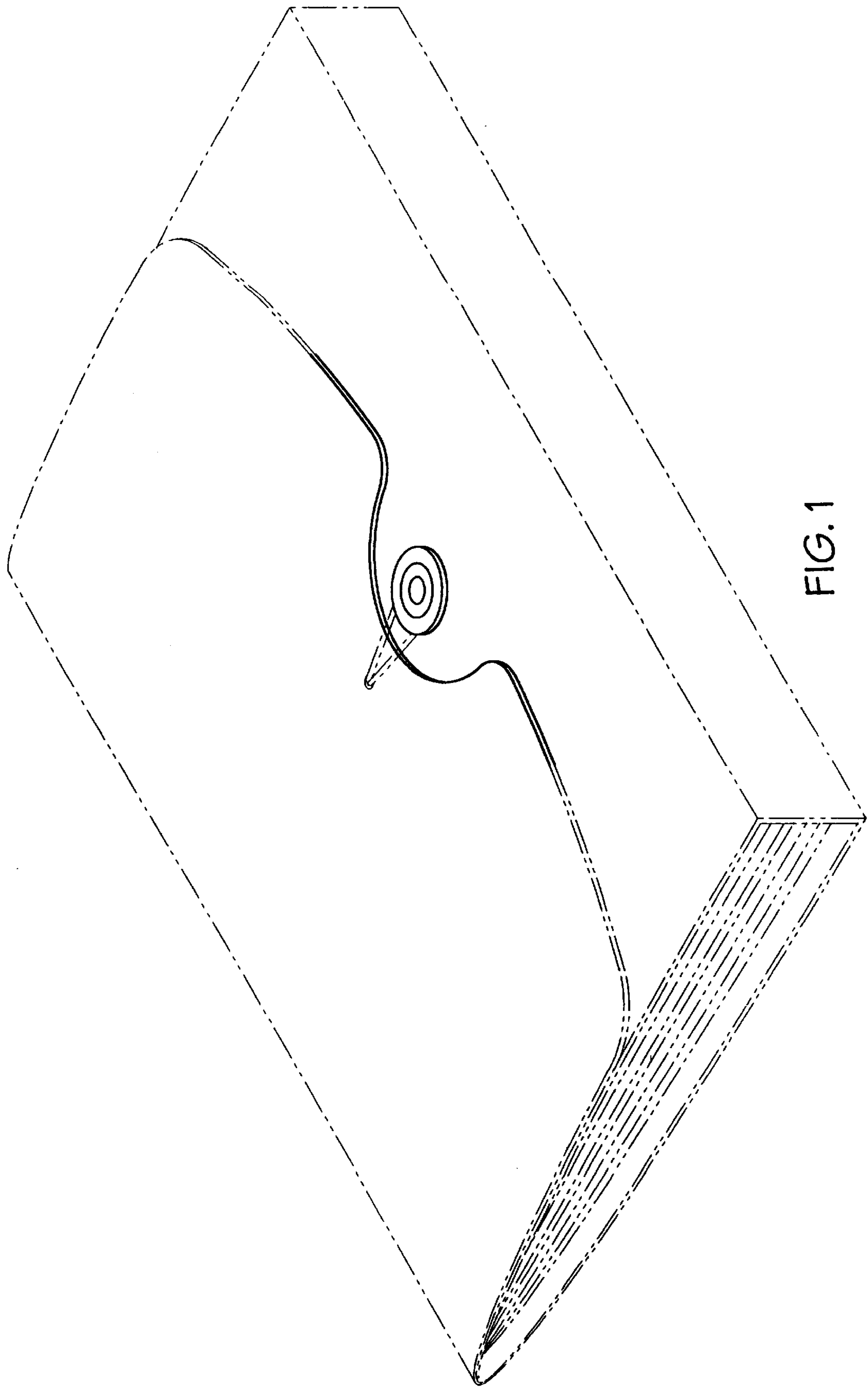


FIG. 1

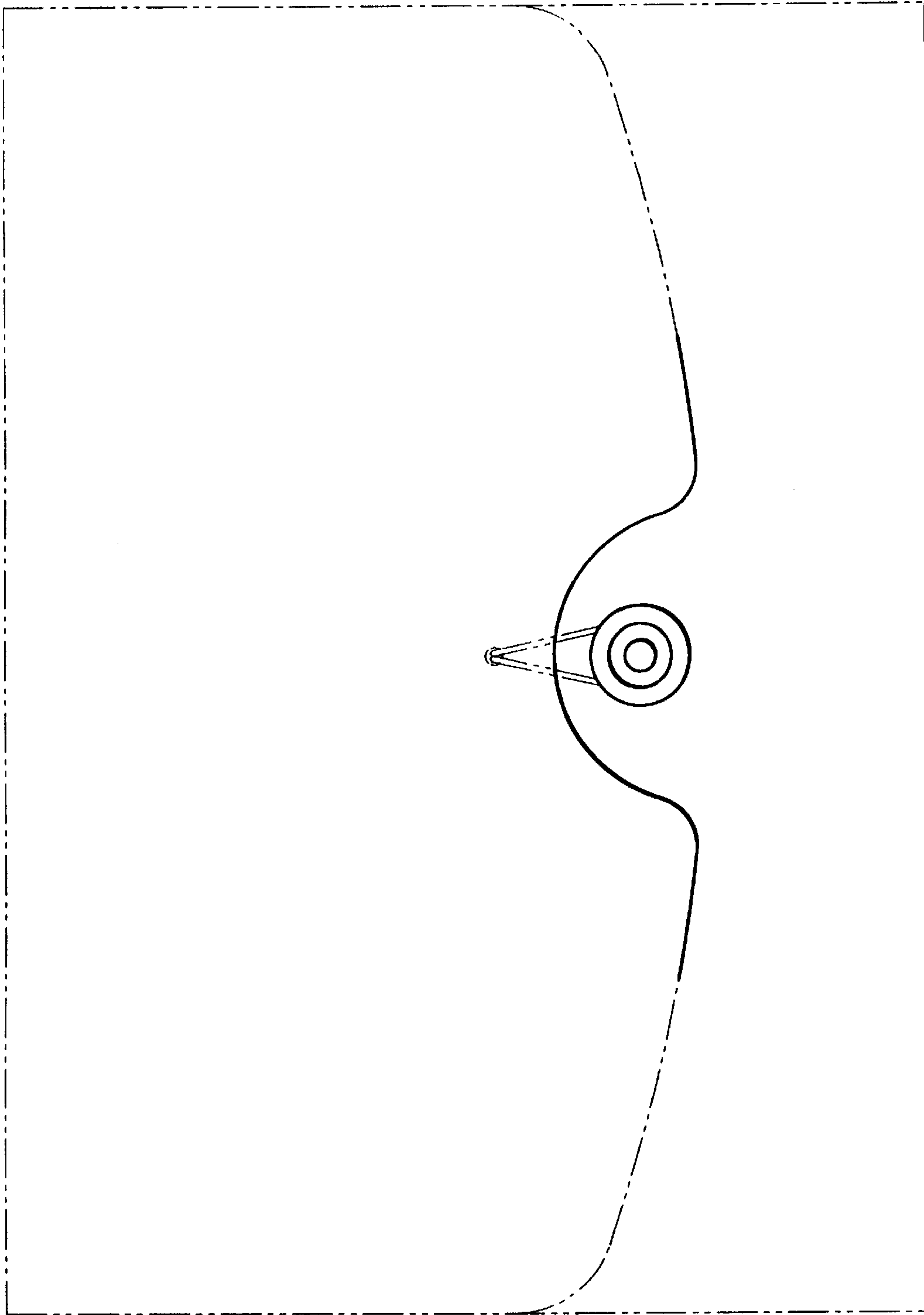


FIG. 2

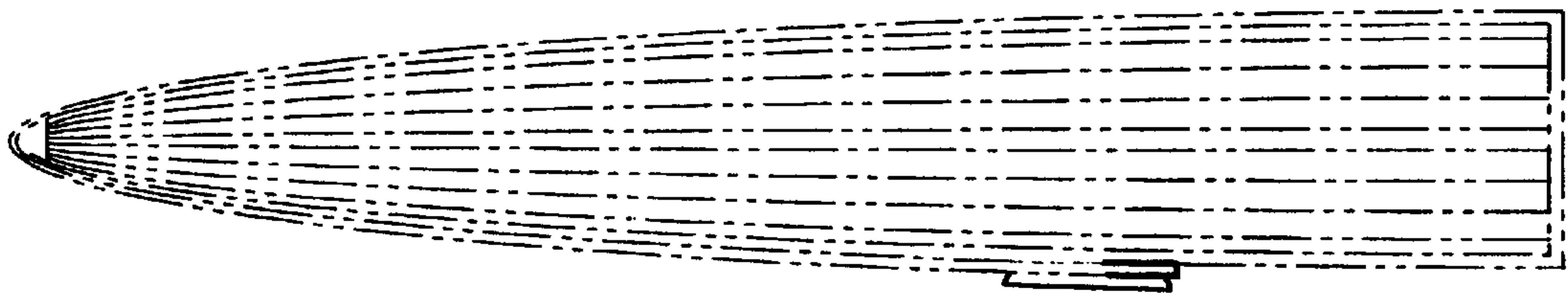


FIG. 3