



US00D424618S

# United States Patent [19]

## Waterhouse

[11] **Patent Number: Des. 424,618**

[45] **Date of Patent: \*\* May 9, 2000**

[54] **COMBINED CARDHOLDER, MAGNIFIER AND MIRROR**

[76] Inventor: **William H. Waterhouse**, P.O. Box 722274, Norman, Okla. 73071

[\*\*] Term: **14 Years**

[21] Appl. No.: **29/109,972**

[22] Filed: **Aug. 30, 1999**

[51] **LOC (7) Cl.** ..... **19-02**

[52] **U.S. Cl.** ..... **D19/65; D19/90; D16/135**

[58] **Field of Search** ..... **D6/300, 314; D16/135; D19/75, 78, 86, 90, 91, 95, 99, 100; 248/473; 211/10, 11, 13.1, 45, 50, 55; 359/800, 802, 809, 811**

[56] **References Cited**

**U.S. PATENT DOCUMENTS**

- D. 146,272 1/1947 Van Dyke ..... D16/135
- D. 221,161 7/1971 Lynch ..... D16/135

- D. 390,271 2/1998 Wolff ..... D19/90
- D. 409,664 5/1999 Perrin et al. .... D19/90
- 1,857,552 5/1932 Komorous ..... 248/473
- 2,557,398 6/1951 Teetor ..... 40/124.04
- 2,557,399 6/1951 Teetor ..... 40/124.04
- 2,736,097 2/1956 Coleman ..... 359/809 X
- 2,767,497 10/1956 Munson ..... 248/473 X

*Primary Examiner*—Martie K. Holtje

[57] **CLAIM**

The ornamental design for a combined cardholder, magnifier and mirror, as shown and described.

**DESCRIPTION**

FIG. 1 is a front elevational view of my combined cardholder, magnifier and mirror;  
 FIG. 2 is a top view thereof;  
 FIG. 3 is a left end elevational view thereof, the right end view being a mirror image;  
 FIG. 4 is a rear elevational view thereof; and,  
 FIG. 5 is a bottom view thereof.

**1 Claim, 1 Drawing Sheet**

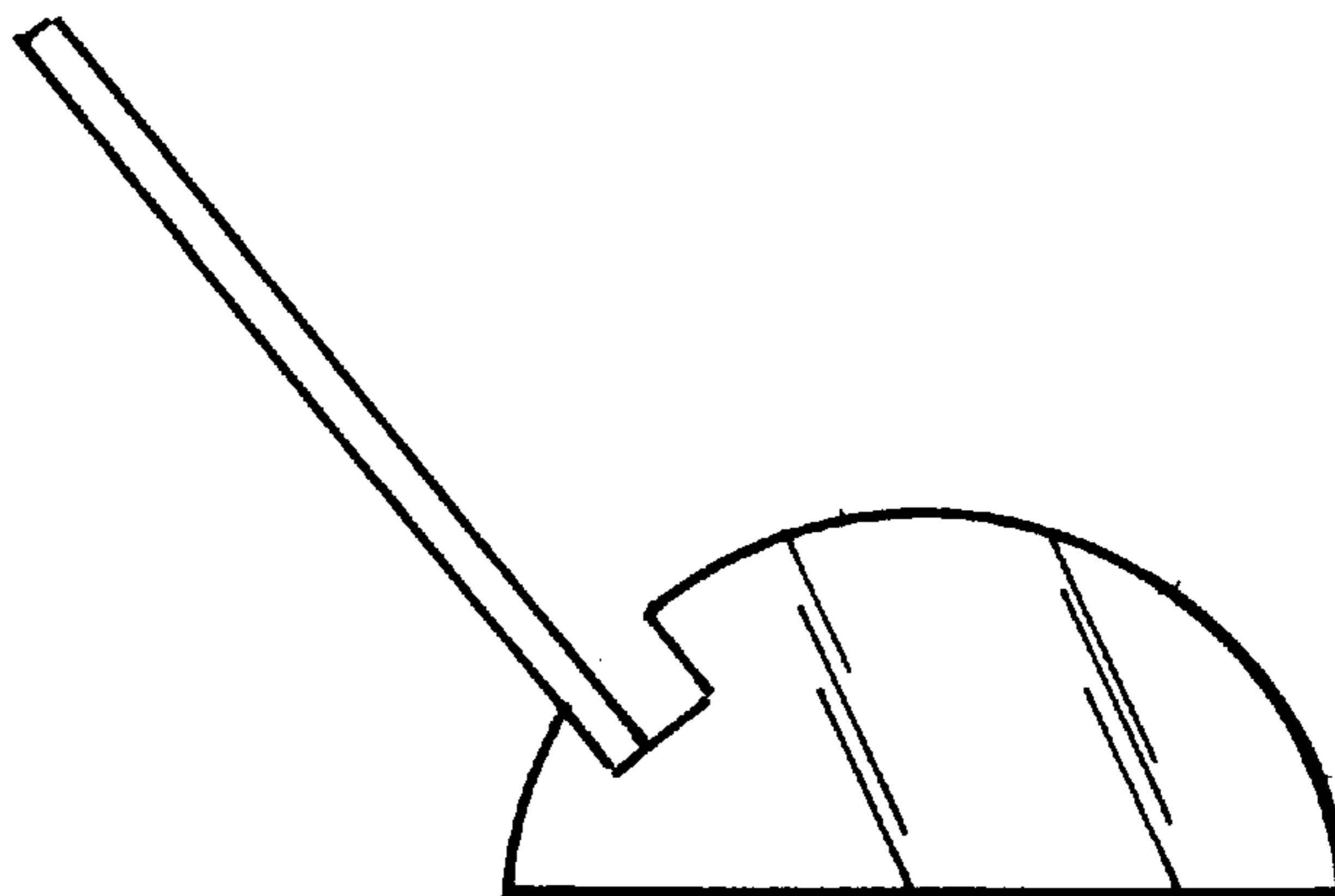
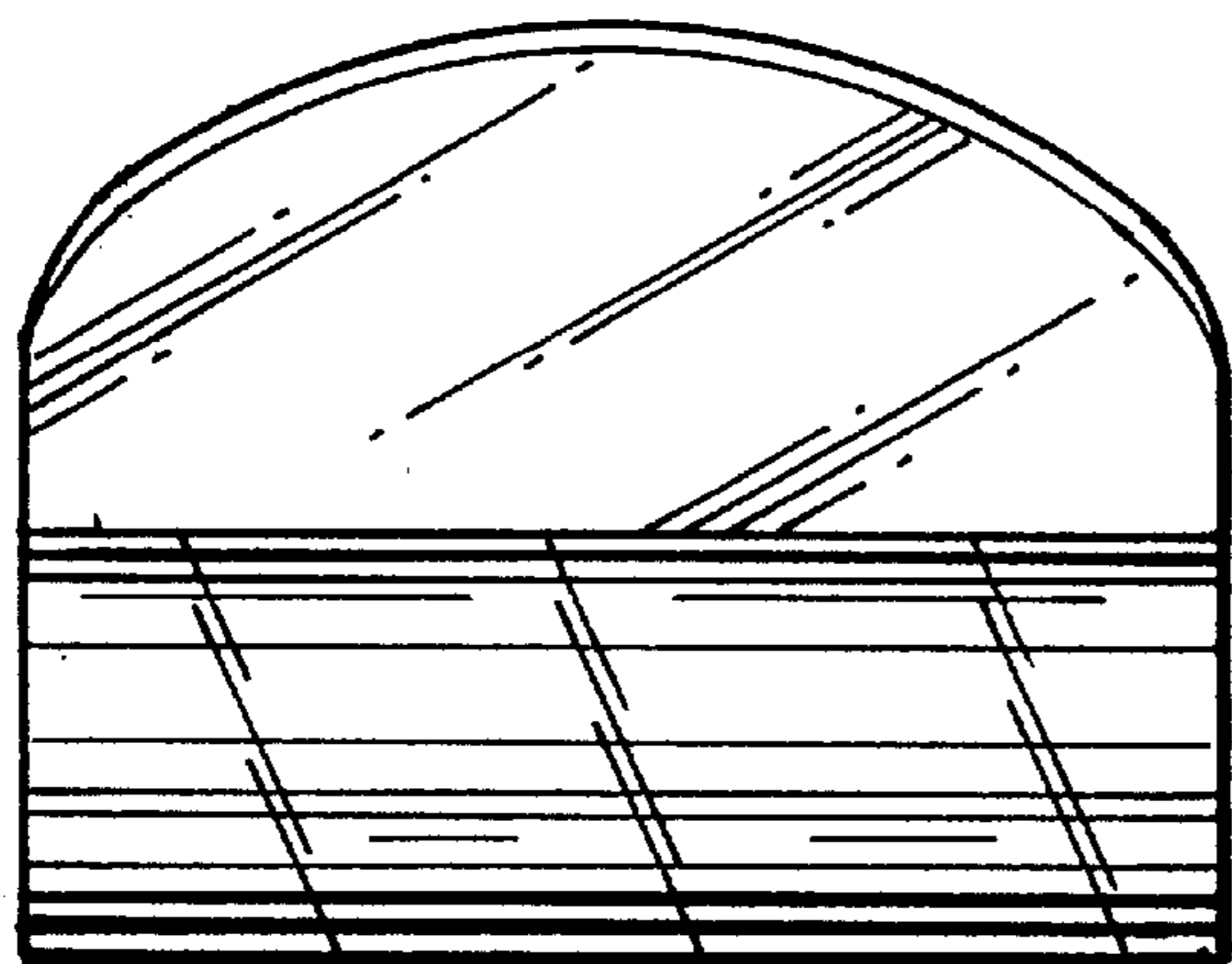


FIG. 2

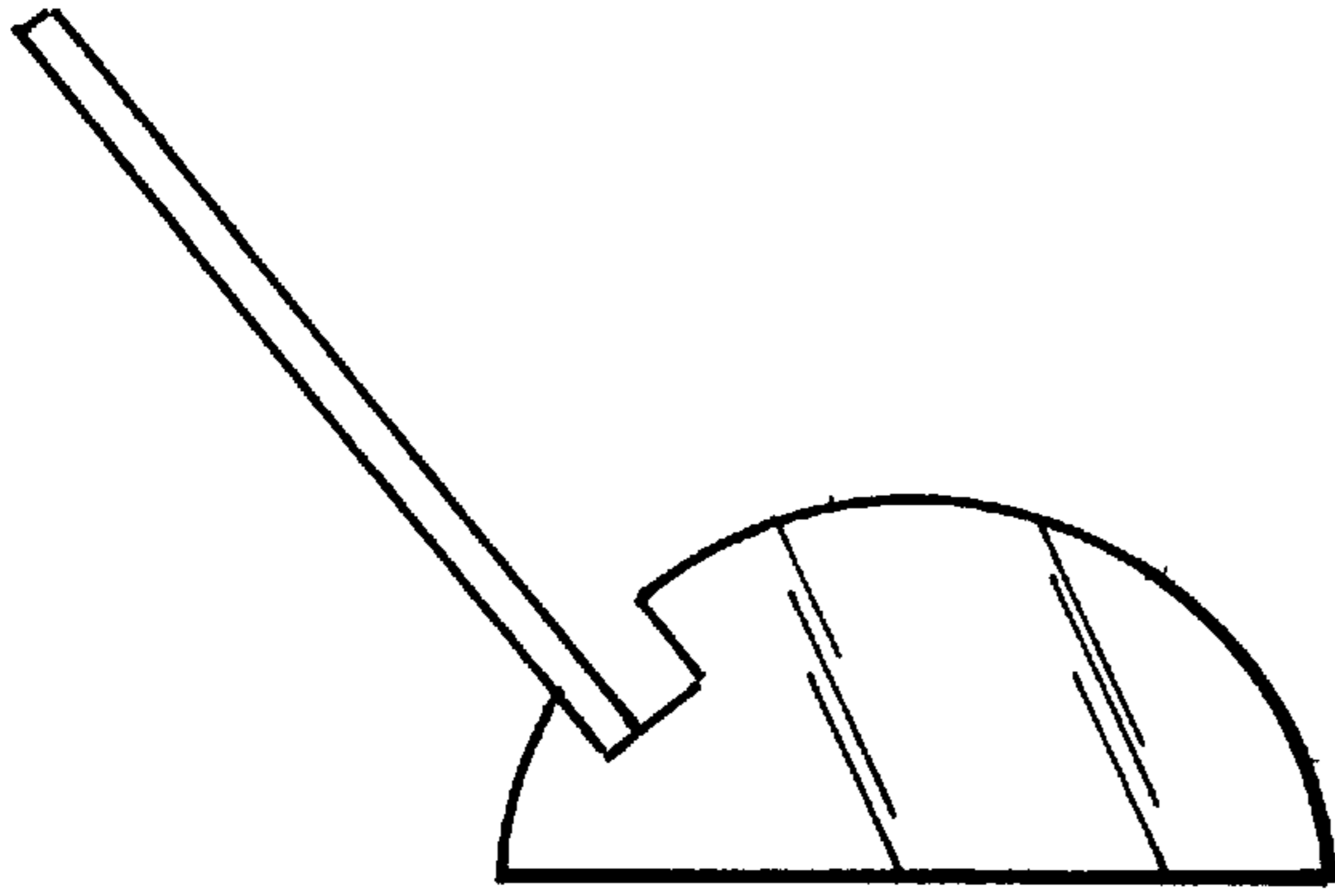
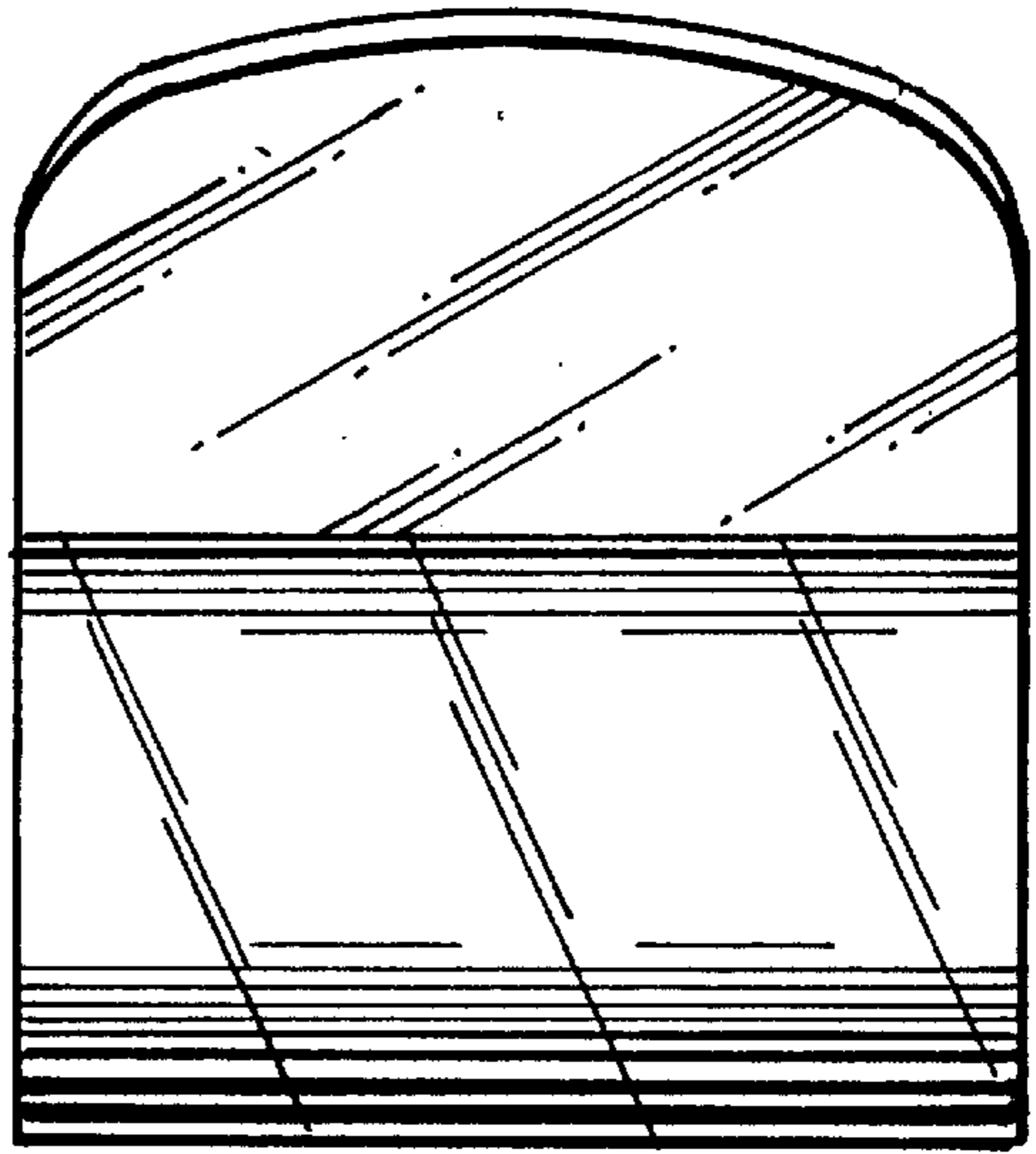


FIG. 3

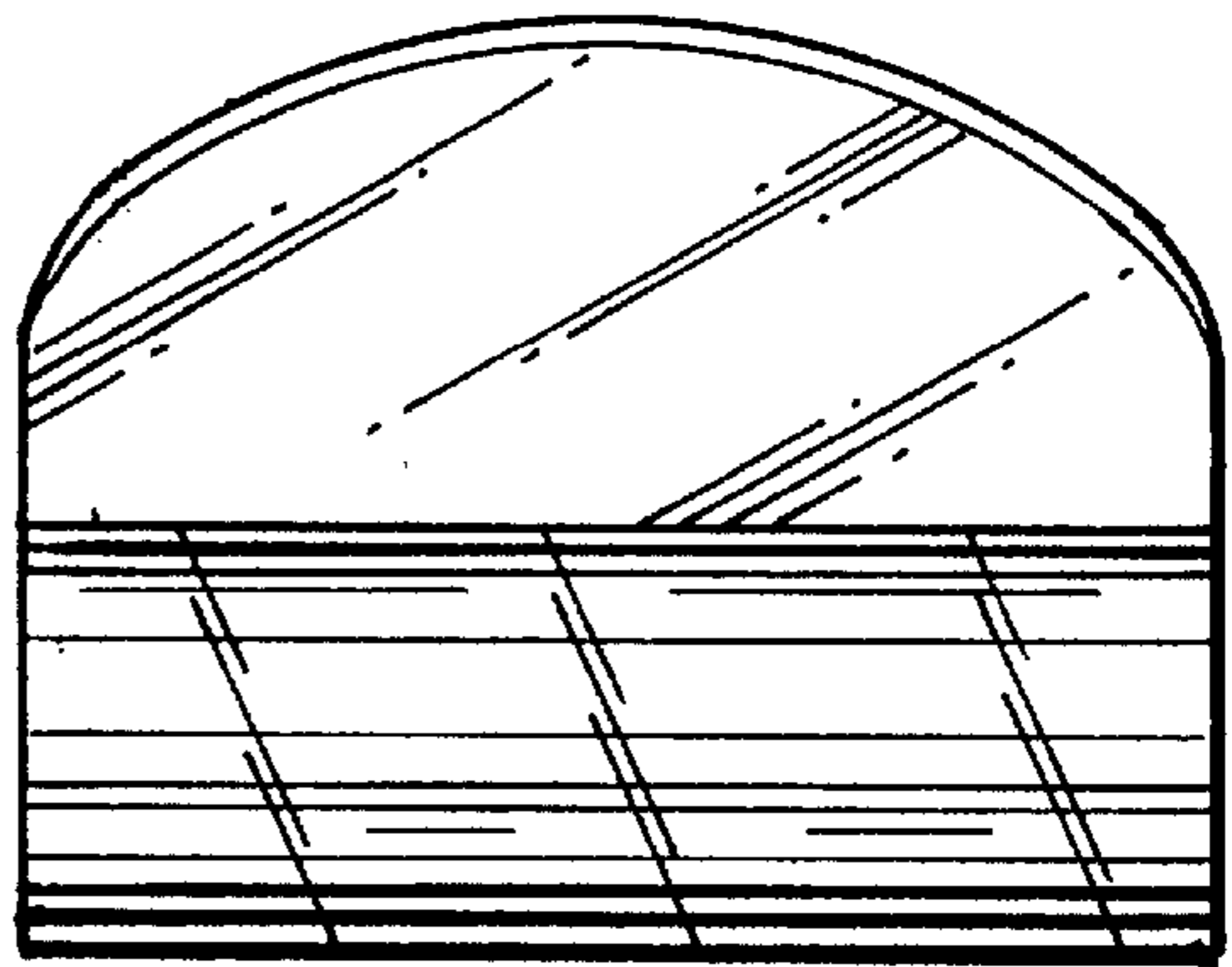


FIG. 1

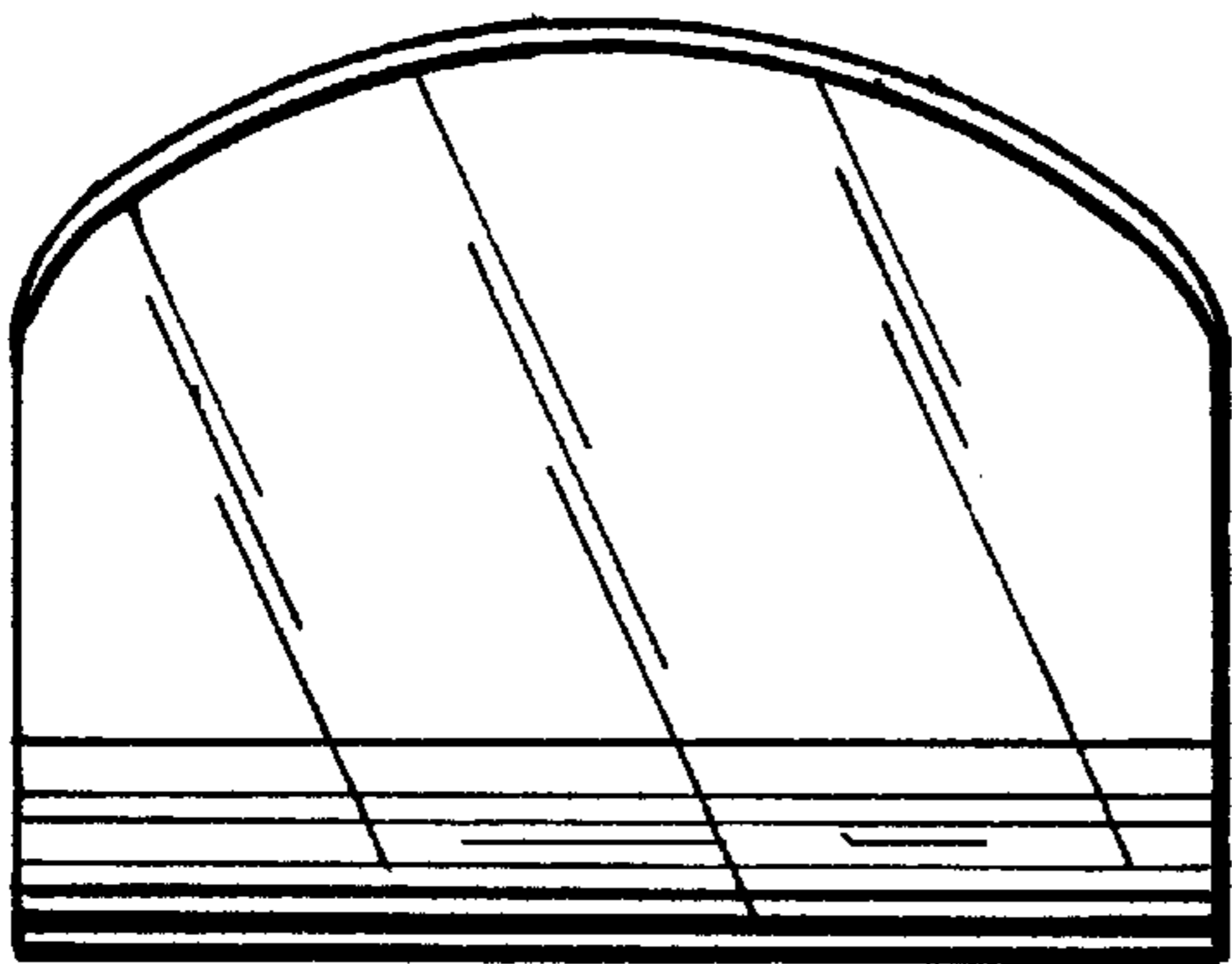


FIG. 4

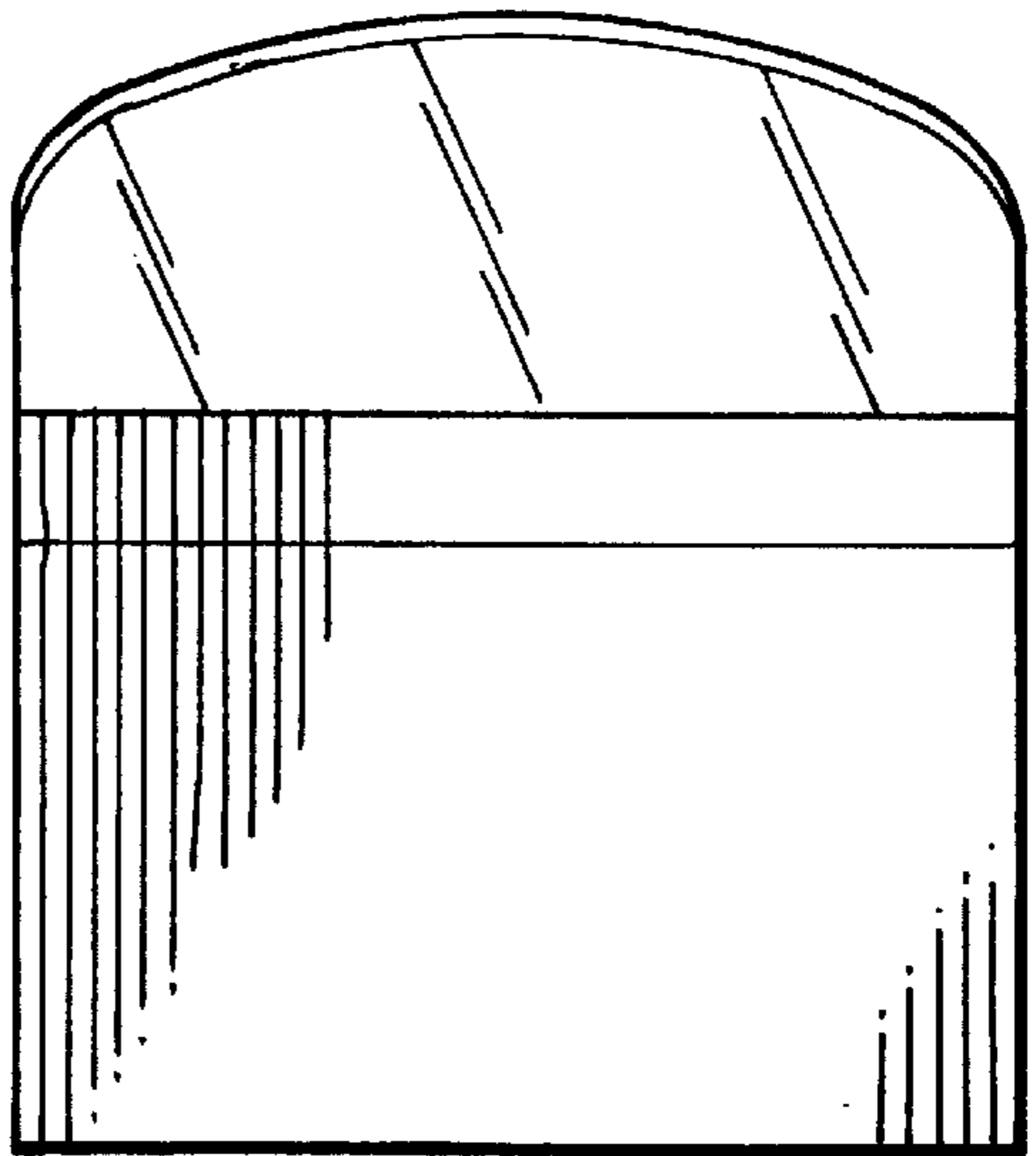


FIG. 5