



US00D424616S

United States Patent [19]

Andrews et al.

[11] **Patent Number: Des. 424,616**

[45] **Date of Patent: ** May 9, 2000**

[54] **CLIP FOR A WRITING INSTRUMENT**

[75] Inventors: **Neville Andrews**, Acton, Mass.; **Frank Polidoro**, Cumberland, R.I.

[73] Assignee: **Parker Pen Products**, Isleworth, United Kingdom

[**] Term: **14 Years**

[21] Appl. No.: **29/108,112**

[22] Filed: **Jul. 20, 1999**

Related U.S. Application Data

[62] Division of application No. 29/102,516, Mar. 25, 1999, Pat. No. Des. 416,580.

[51] **LOC (7) Cl.** **19-06**

[52] **U.S. Cl.** **D19/56**

[58] **Field of Search** D19/35, 36, 41-51, D19/53-58, 81-85; 401/243-247, 99, 104, 105, 106; 24/10 R, 11 R, 11 PP, 11 HC, 11 F, 11 P, 11 CC

[56] References Cited

U.S. PATENT DOCUMENTS

D. 91,765 3/1934 Crocker D19/56
D. 95,681 5/1935 Hanle D19/56

D. 355,439 2/1995 Hollington D19/43
D. 362,269 9/1995 Hollington D19/51
D. 372,048 7/1996 Hollington D19/43
D. 378,763 4/1997 Hollington D19/51
D. 416,580 11/1999 Andrews et al. D19/56
2,153,488 4/1939 Weisser 24/11 F

Primary Examiner—Martie K. Holtje
Attorney, Agent, or Firm—David A. Howley

[57] CLAIM

The ornamental design for a clip for a writing instrument, as shown and described.

DESCRIPTION

FIG. 1 is a perspective view as seen from the top, front and right side of a clip for a writing instrument showing our new design;
FIG. 2 is a front elevational view thereof;
FIG. 3 is a rear elevational view thereof;
FIG. 4 is a top plan view thereof;
FIG. 5 is a left side elevational view thereof, the right side elevation being a mirror image thereof;
FIG. 6 is a bottom plan view thereof; and,
FIG. 7 is a perspective view thereof, the broken line representation shown for environmental purposes only and does not constitute a part of the claimed design.

1 Claim, 3 Drawing Sheets

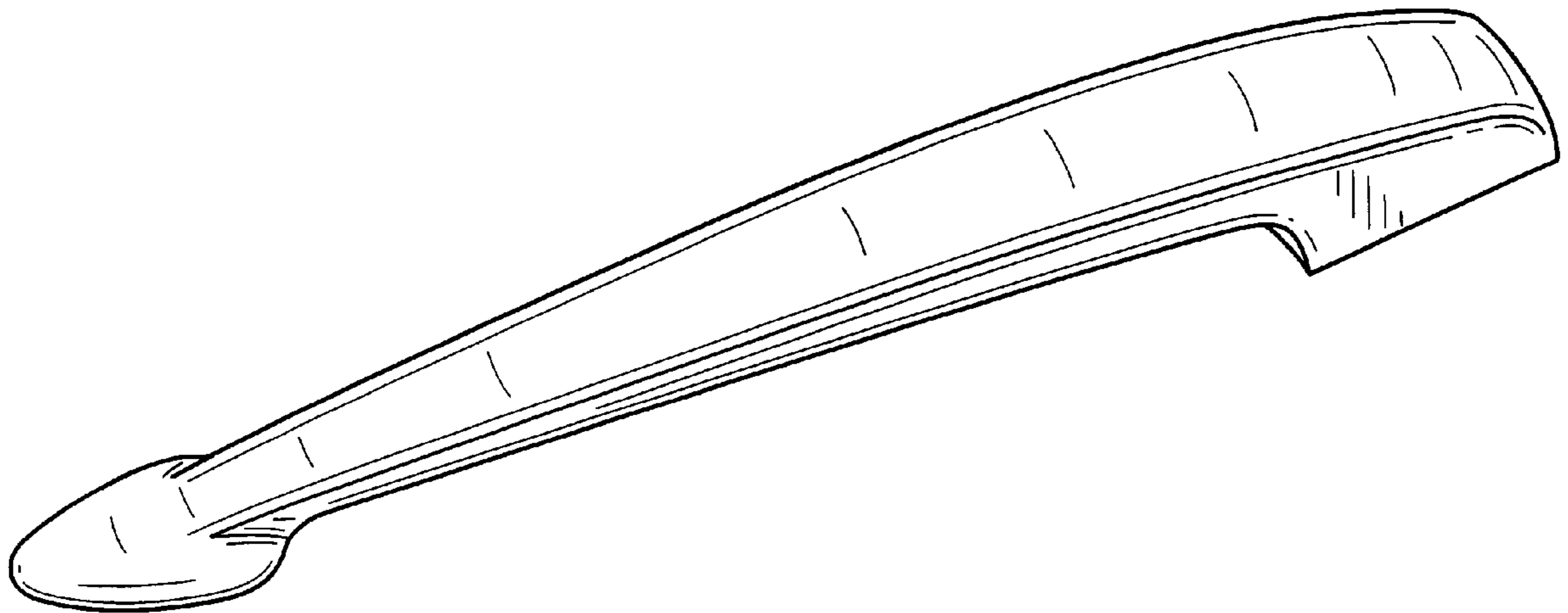


FIG. 1

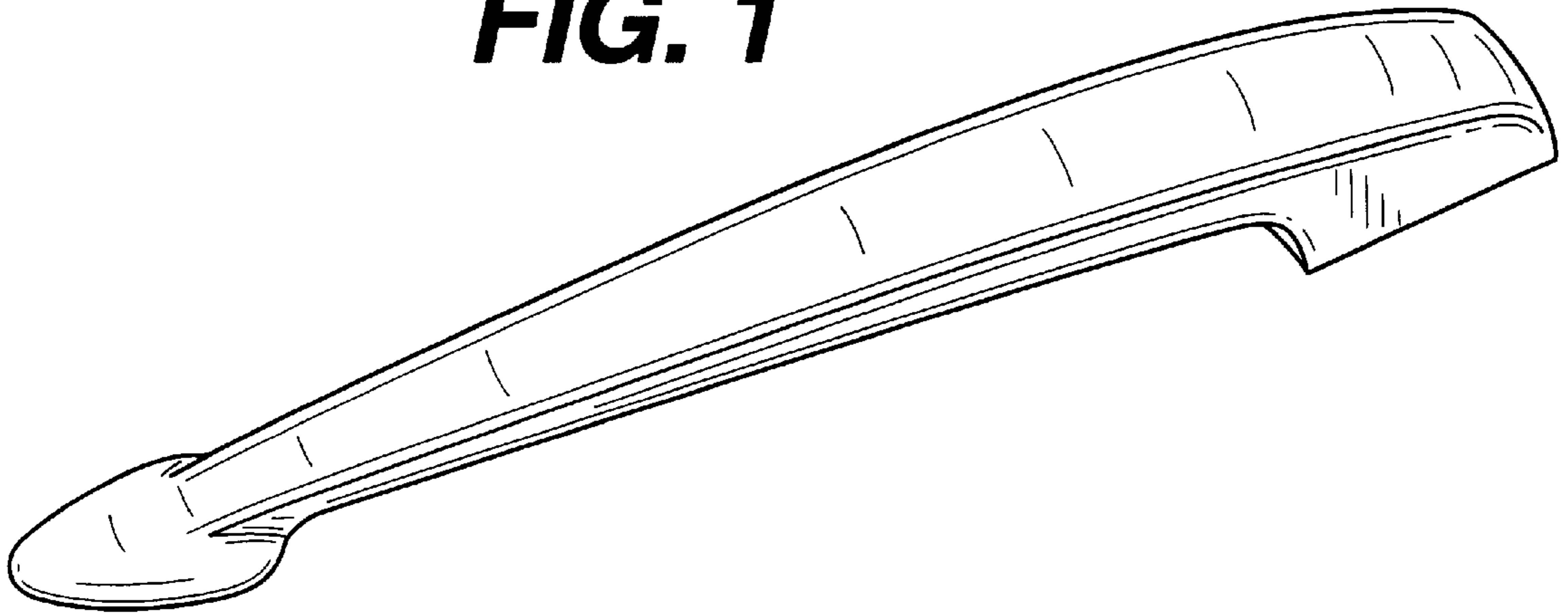


FIG. 2

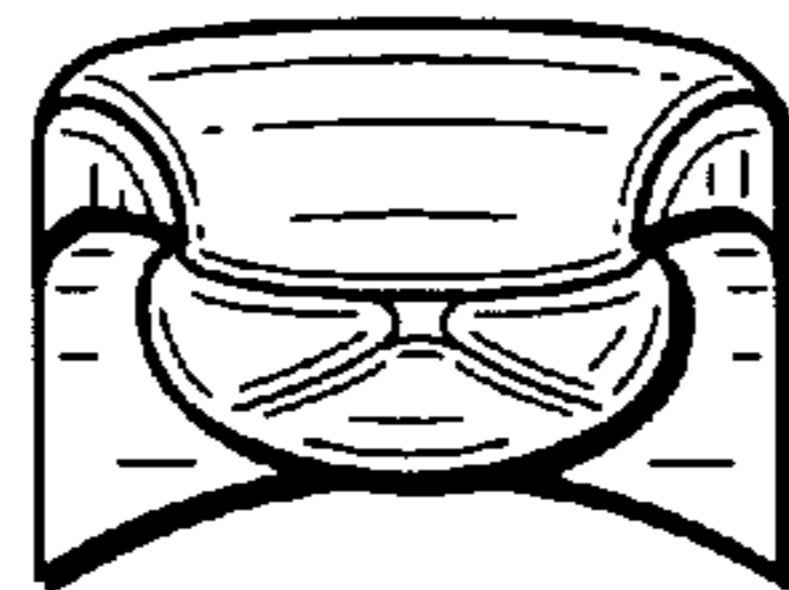


FIG. 3

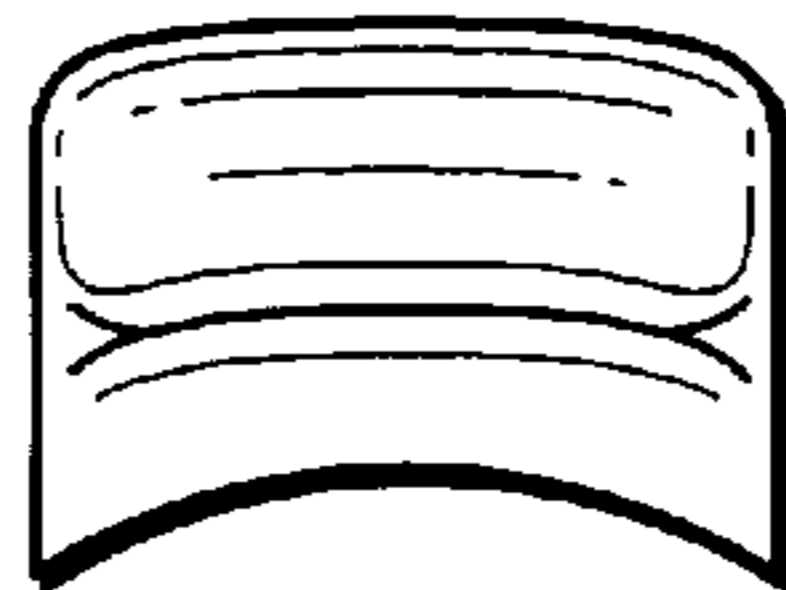


FIG. 4

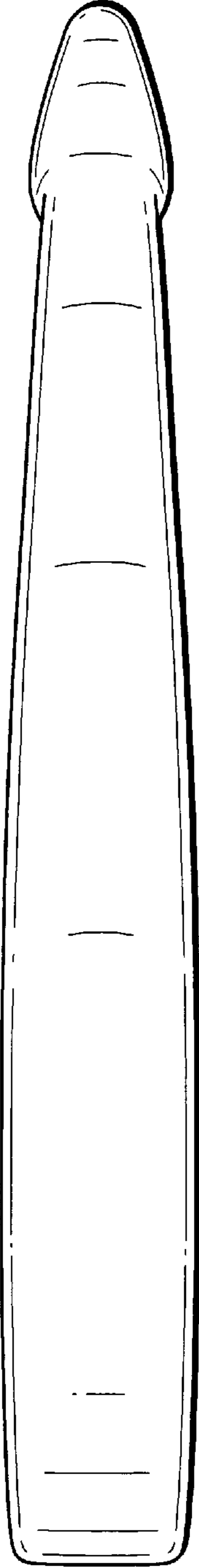


FIG. 5

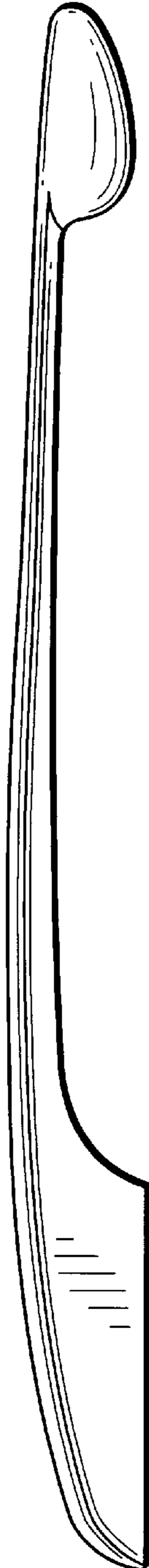
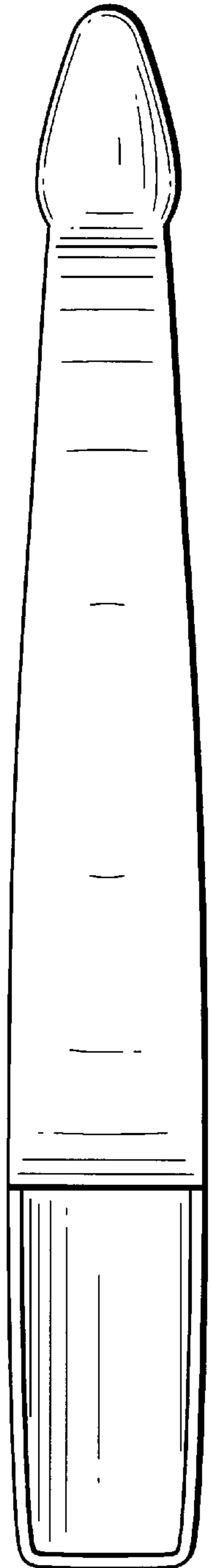


FIG. 6



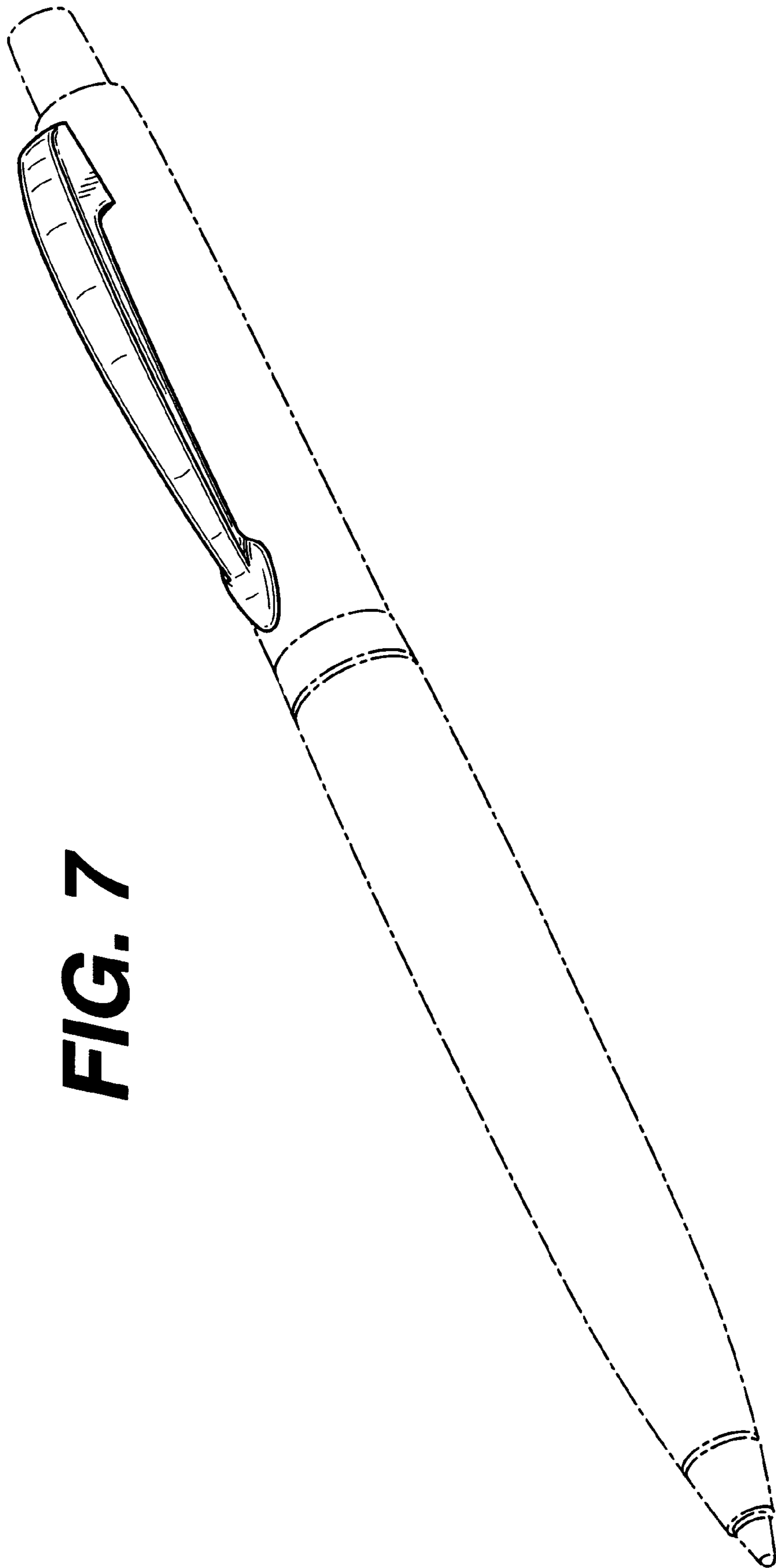


FIG. 7