



US00D424615S

United States Patent [19]

Wyant

[11] Patent Number: Des. 424,615

[45] Date of Patent: ** May 9, 2000

[54] ZIPPER ORGANIZER COMPARTMENT FOR A BINDER

[75] Inventor: Jon Richard Wyant, Centerville, Ohio

[73] Assignee: The Mead Corporation, Dayton, Ohio

[**] Term: 14 Years

[21] Appl. No.: 29/105,901

[22] Filed: Jun. 3, 1999

[51] LOC (7) Cl. 19-04

[52] U.S. Cl. D19/32; D19/26; D3/301; D3/303

[58] Field of Search D3/301, 303, 900, D3/247, 249, 252; D19/26, 27, 31, 32, 33; 281/15.1, 21.1, 29, 30, 31, 35-37; 402/73, 79, 80 R

[56] References Cited

U.S. PATENT DOCUMENTS

D. 319,729	9/1991	Kogutt	D3/299
D. 349,514	8/1994	Gotlund	D19/83
D. 382,900	8/1997	Wyant	D19/27
D. 388,250	12/1997	Robinson et al.	D3/245
D. 397,870	9/1998	Winter	D3/294
D. 406,697	3/1999	Moor	D3/303
D. 409,385	5/1999	Pearson et al.	D3/301
2,173,120	9/1939	Lifton	.	
2,252,783	8/1941	Potts et al.	.	
2,502,275	3/1950	Perlin	.	
2,755,837	7/1956	Kosek	.	
2,778,397	1/1957	Carrasco	.	
3,233,803	2/1966	Gray	.	
3,280,871	10/1966	Taylor	.	
3,587,795	6/1971	Berry et al.	.	
4,085,873	4/1978	Schweitzer	.	
4,303,602	12/1981	Lichter	.	
4,610,923	9/1986	Schrock	.	
4,629,349	12/1986	Pitts	.	
4,629,651	12/1986	Davis	.	

4,775,257	10/1988	Rigg	.	
4,848,798	7/1989	Moor	281/31
4,961,596	10/1990	Moor	.	
5,005,744	4/1991	Gleason	.	
5,080,206	1/1992	Tawil	.	
5,153,939	10/1992	Howe et al.	.	
5,161,731	11/1992	Rivlin et al.	.	
5,217,119	6/1993	Hollingsworth	.	
5,219,437	6/1993	Moor	.	
5,228,547	7/1993	Yoo	.	
5,236,226	8/1993	Sheffield	.	
5,611,573	3/1997	Lobe et al.	.	
5,711,750	1/1998	Christensen et al.	.	
5,743,447	4/1998	McDermott	.	
5,749,666	5/1998	Yu	.	
5,797,529	8/1998	Lavine	.	

Primary Examiner—Martie K. Holtje
Attorney, Agent, or Firm—Thompson Hine & Flory LLP

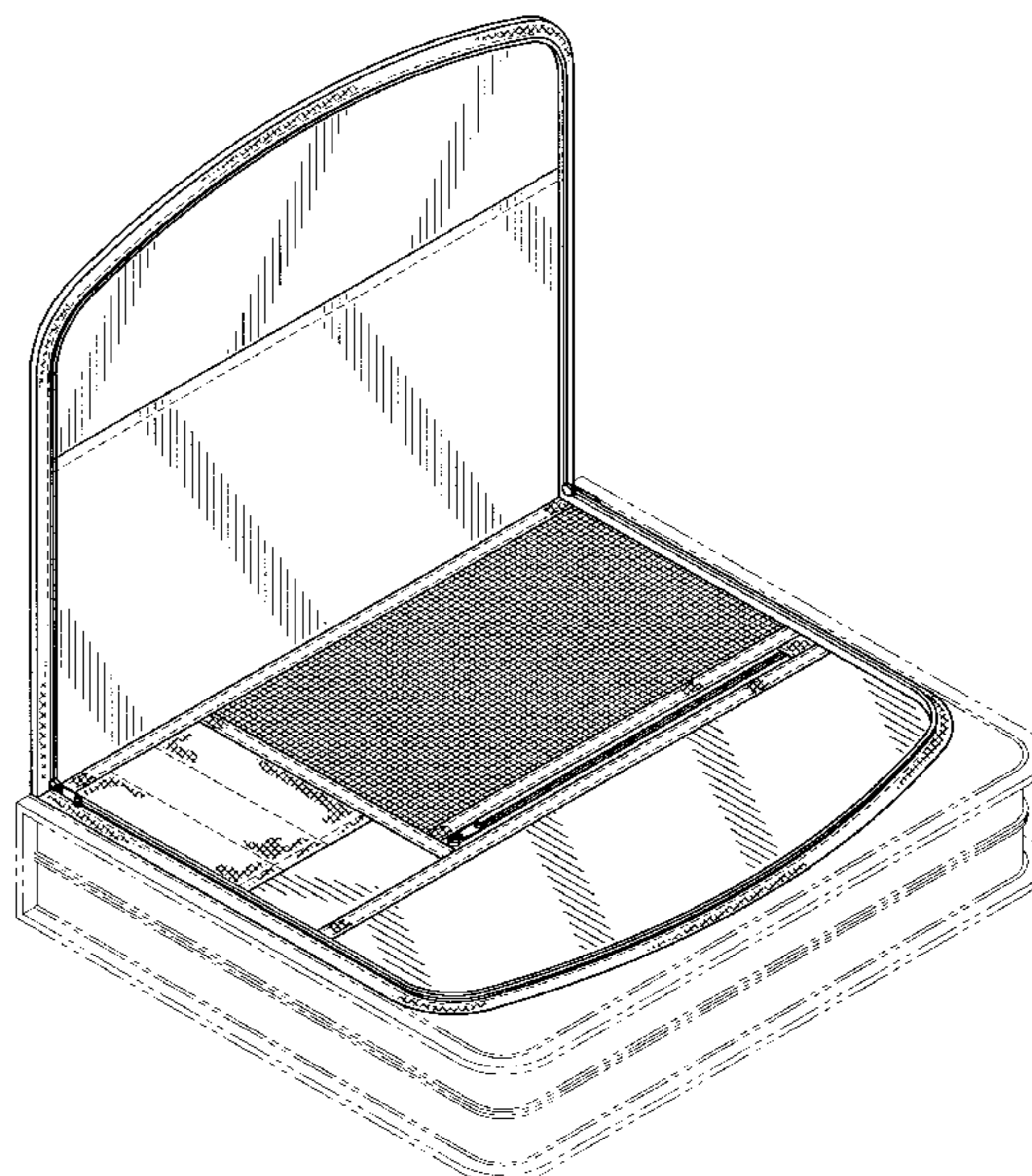
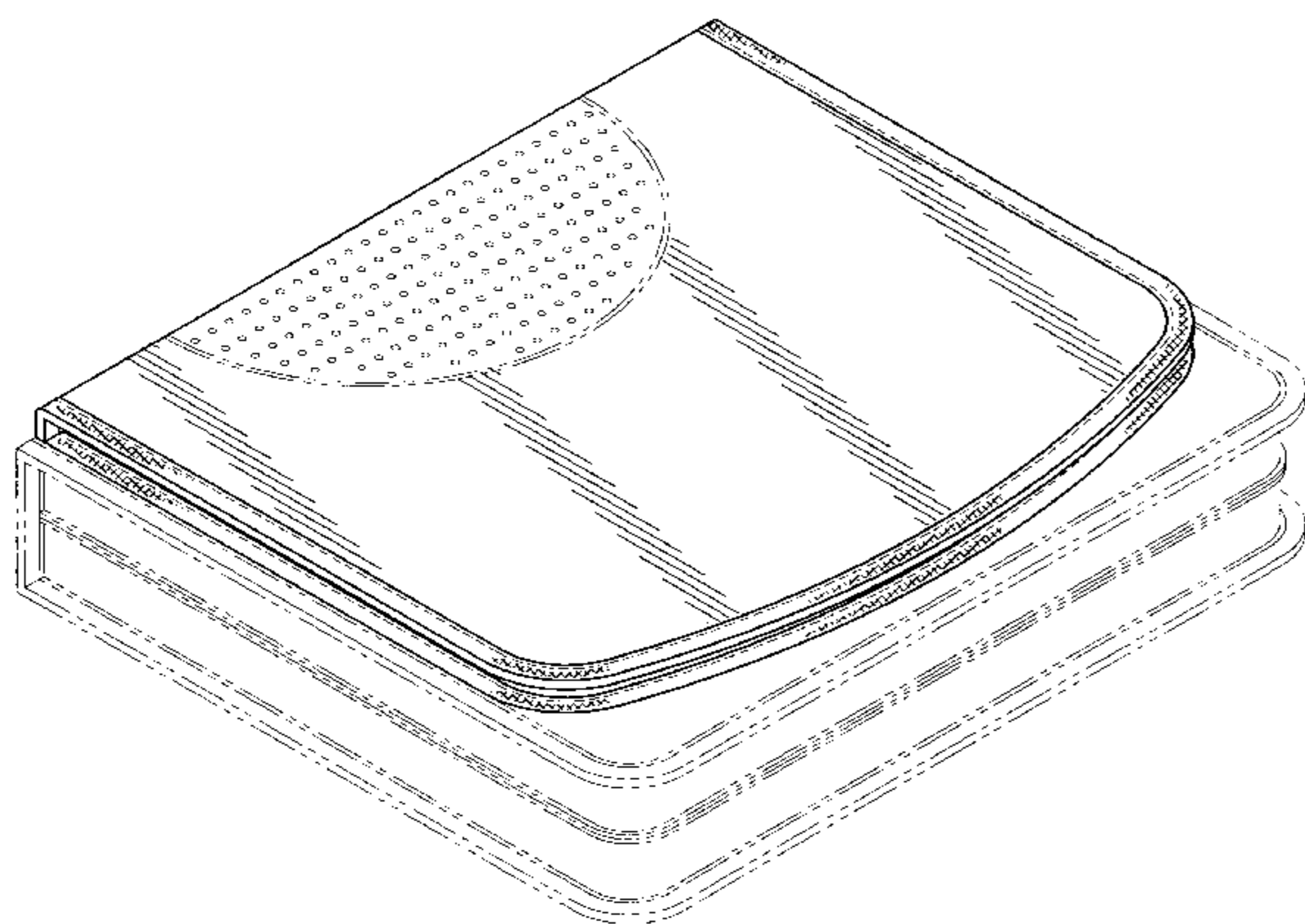
[57] CLAIM

The ornamental design for a zipper organizer compartment for a binder, as shown and described.

DESCRIPTION

FIG. 1 is a side perspective view of the closed zipper organizer compartment for a binder of the present invention; FIG. 2 is a side perspective view of the open zipper organizer compartment for a binder of FIG. 1; FIG. 3 is a top plan view of the closed zipper organizer compartment for a binder of FIG. 1; FIG. 4 is a front elevational view of the closed zipper organizer compartment for a binder of FIG. 1; FIG. 5 is a rear elevational view of the closed zipper organizer compartment for a binder of FIG. 1; and, FIG. 6 is a side elevational view of the closed zipper organizer compartment for a binder of FIG. 1. The zippered binder structure and the semicircular perforated surface treatment depicted by means of broken lines in the Figures has been shown for illustrative purposes only and forms no part of the claimed design.

1 Claim, 4 Drawing Sheets



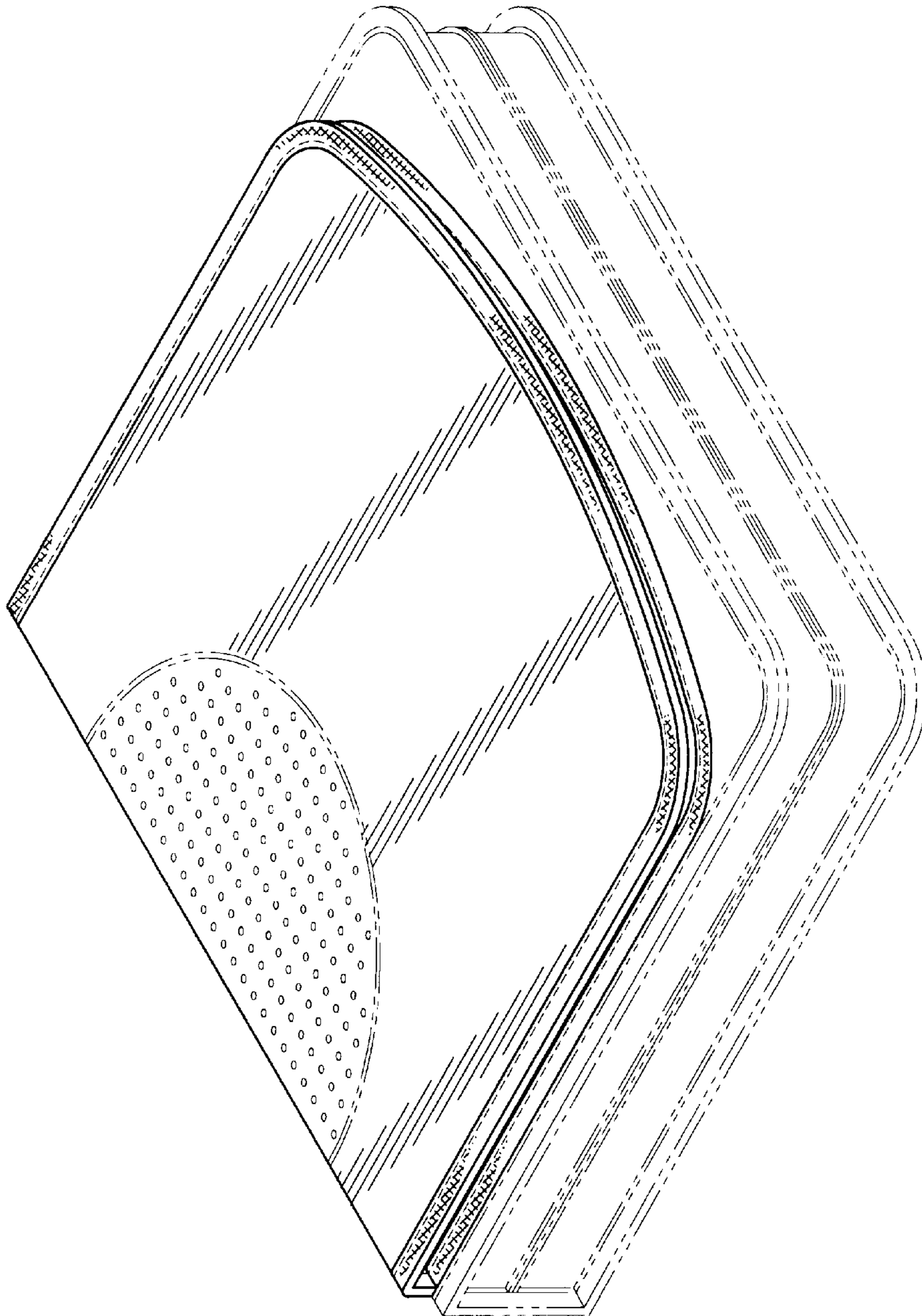


FIG. 1

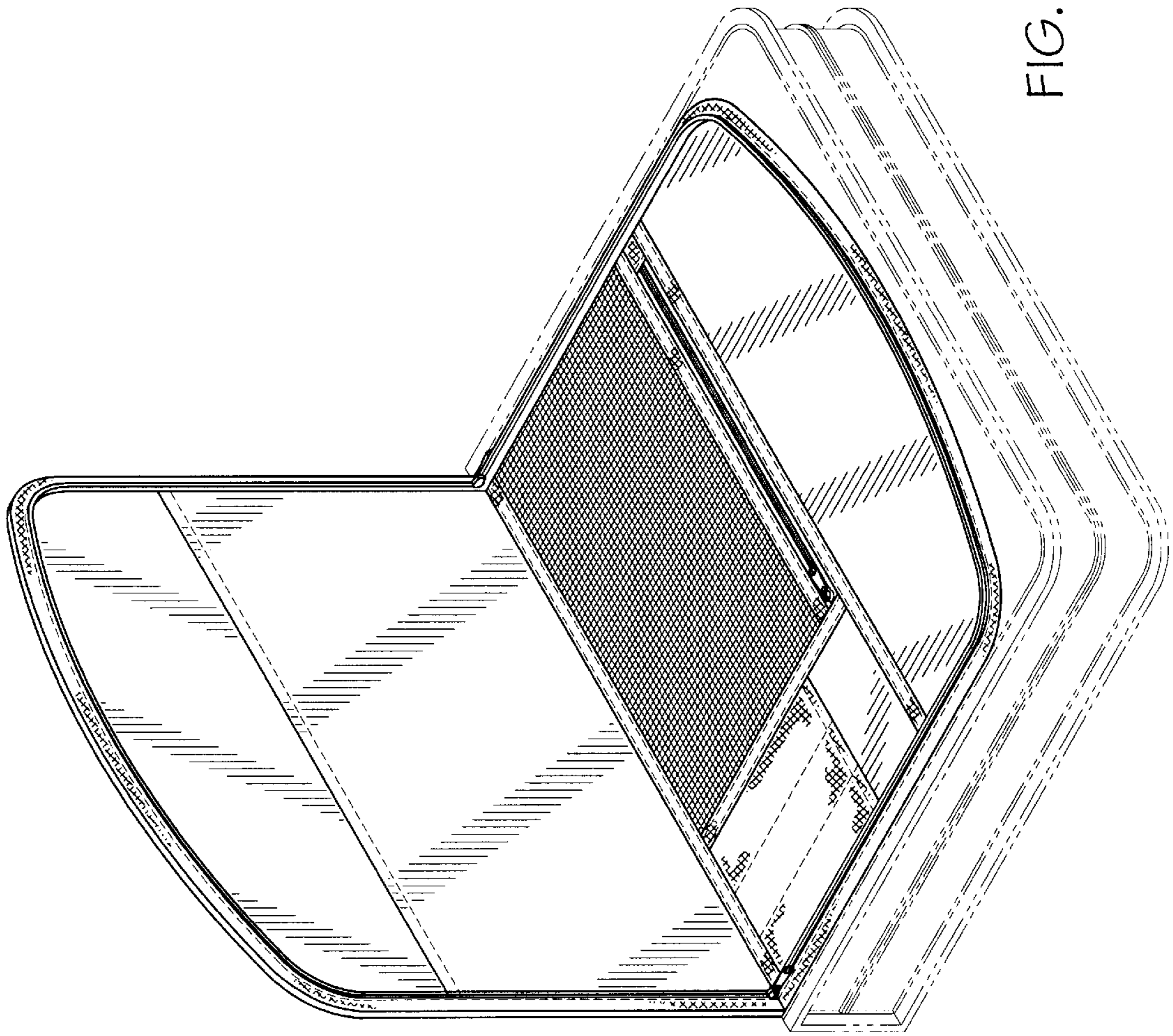


FIG. 2

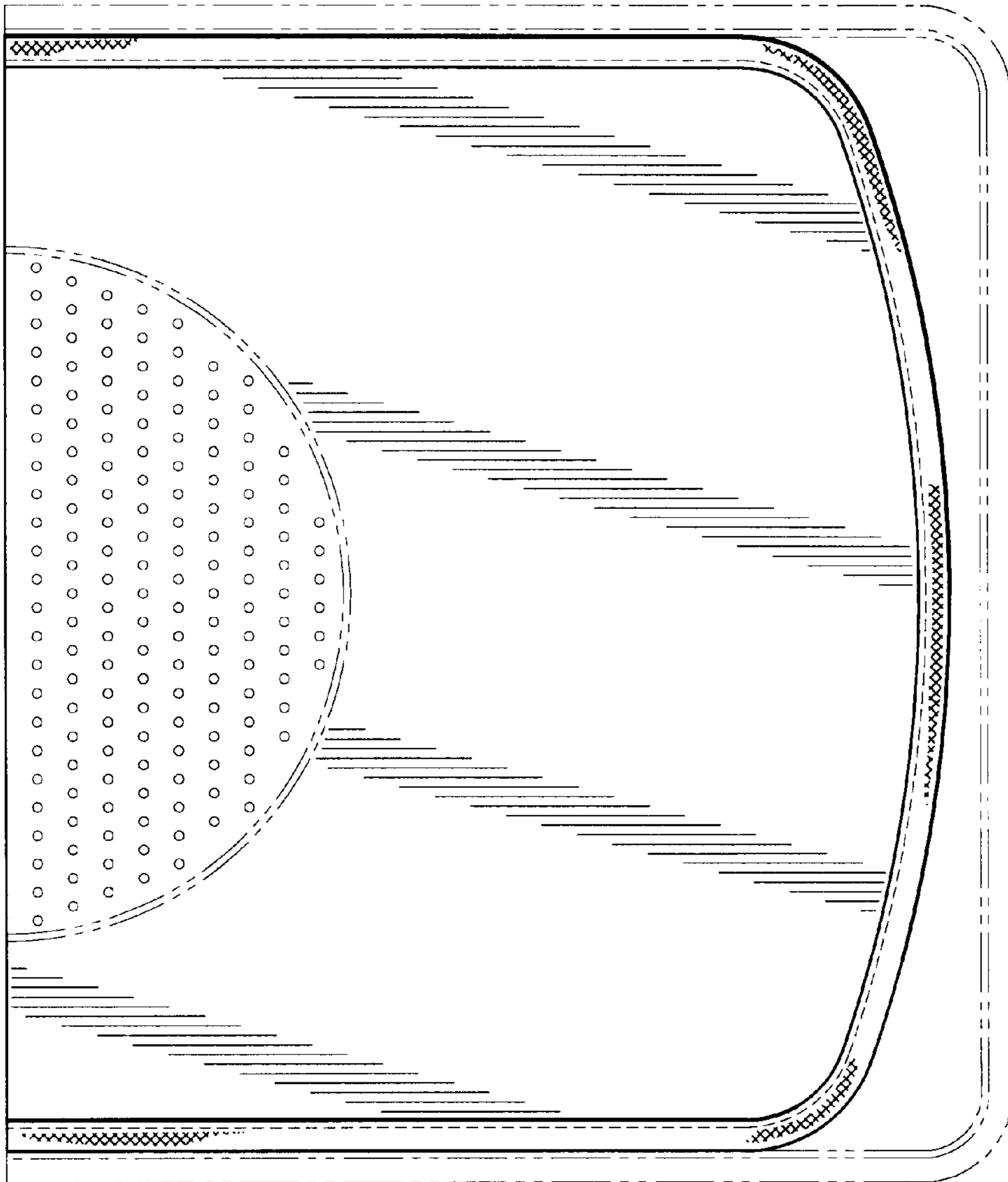


FIG. 3

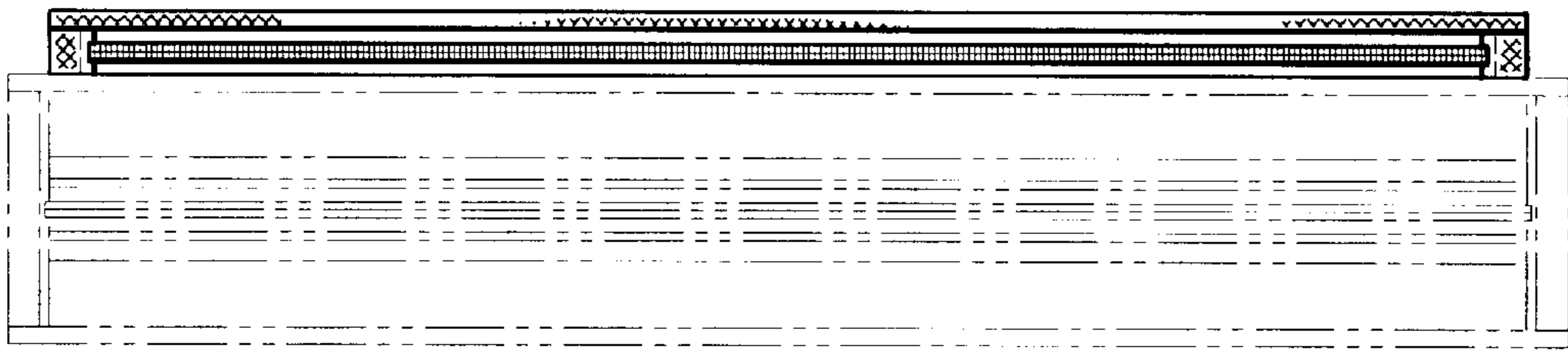


FIG. 4

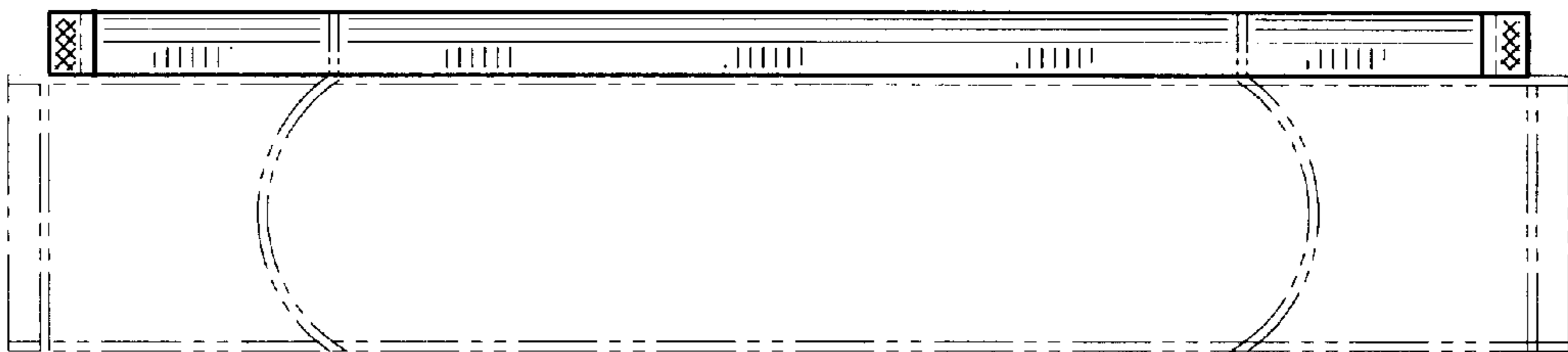


FIG. 5

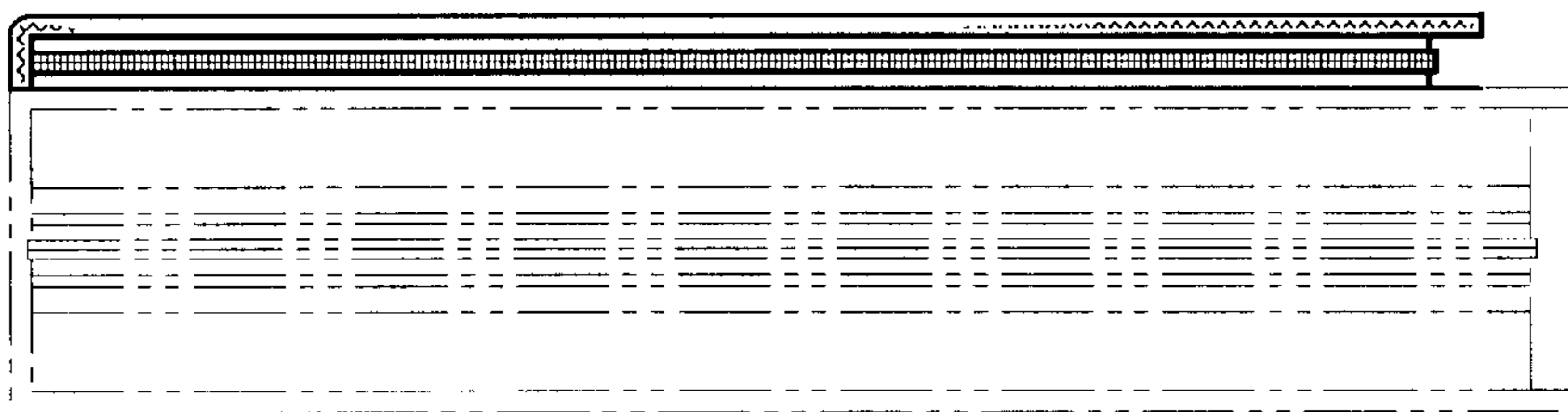


FIG. 6