



US00D424612S

United States Patent [19]

Inoue et al.

[11] **Patent Number: Des. 424,612**

[45] **Date of Patent: ** May 9, 2000**

[54] **INK TANK FOR PRINTER**

[75] Inventors: **Manabu Inoue**, Yokohama; **Masaaki Igarashi**, Tokyo; **Osamu Morita**, Yokosuka, all of Japan

[73] Assignee: **Canon Kabushiki Kaisha**, Tokyo, Japan

[**] Term: **14 Years**

[21] Appl. No.: **29/102,515**

[22] Filed: **Mar. 25, 1999**

[51] **LOC (7) Cl.** **18-02**

[52] **U.S. Cl.** **D18/56; 347/86**

[58] **Field of Search** **D18/56, 44; 347/86, 347/87**

[56] **References Cited**

U.S. PATENT DOCUMENTS

- D. 386,520 11/1997 Tashiro et al. D18/56
- D. 390,259 2/1998 Inoue et al. D18/56

- D. 391,289 2/1998 Inoue et al. D18/56
- D. 392,312 3/1998 Inoue et al. D18/56
- D. 400,573 11/1998 Inoue et al. D18/56
- D. 400,574 11/1998 Inoue et al. D18/56
- D. 401,620 11/1998 Nozawa et al. D18/56

Primary Examiner—Cathy Anne MacCormac
Attorney, Agent, or Firm—Fitzpatrick, Cella, Harper & Scinto

[57] **CLAIM**

The ornamental design for an ink tank for printer, as shown and described.

DESCRIPTION

FIG. 1 is a front view of an ink tank for printer showing our new design;
FIG. 2 is a rear view thereof;
FIG. 3 is a top plan view thereof;
FIG. 4 is a bottom plan view thereof;
FIG. 5 is a left side view thereof;
FIG. 6 is a right side view thereof; and,
FIG. 7 is a perspective view thereof.

1 Claim, 3 Drawing Sheets

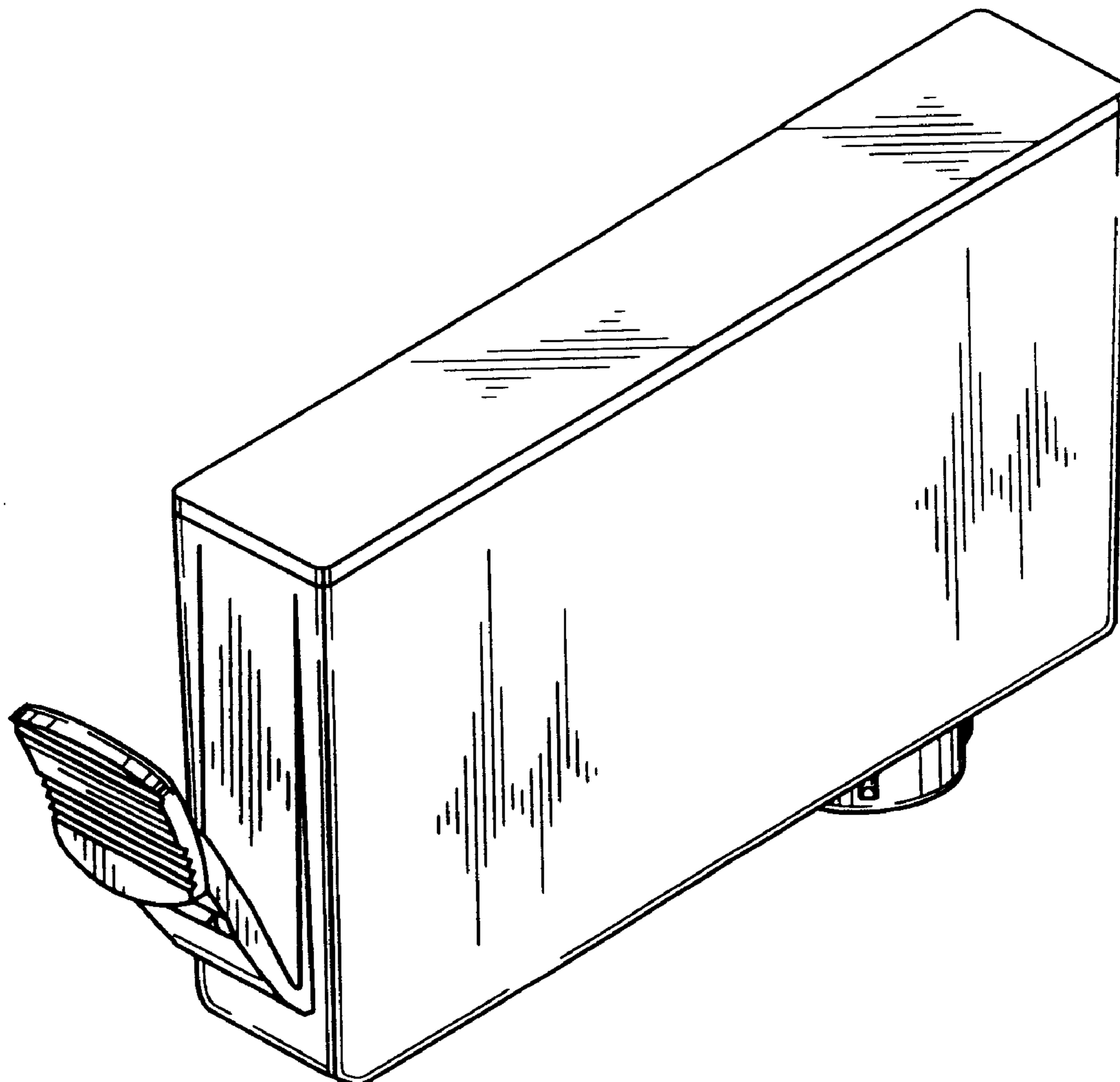


FIG. 1

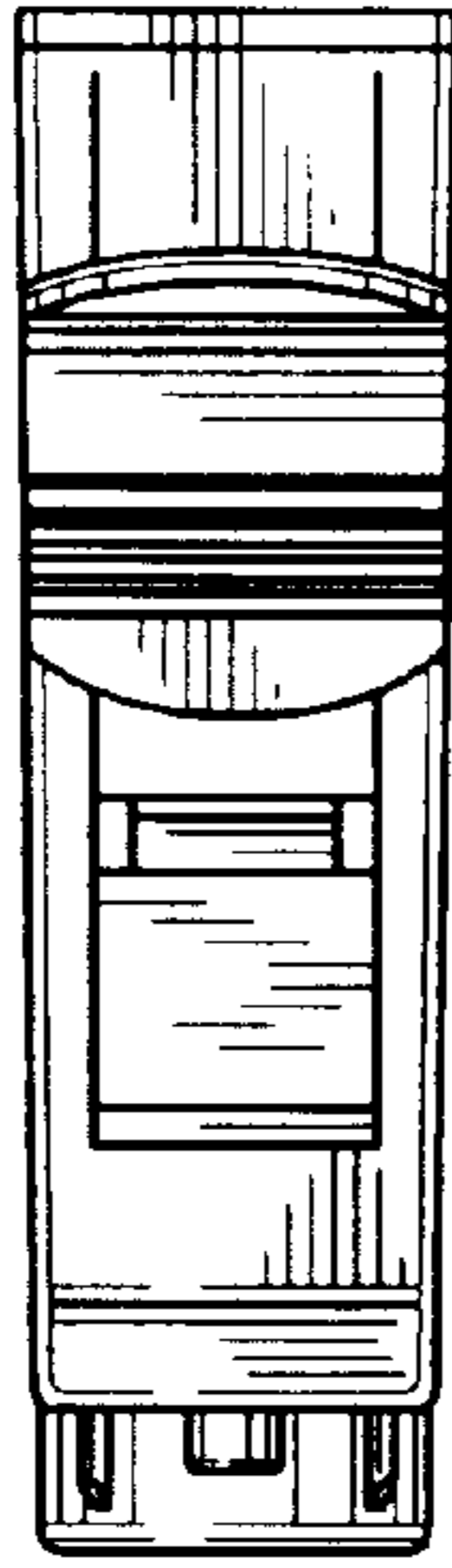


FIG. 2

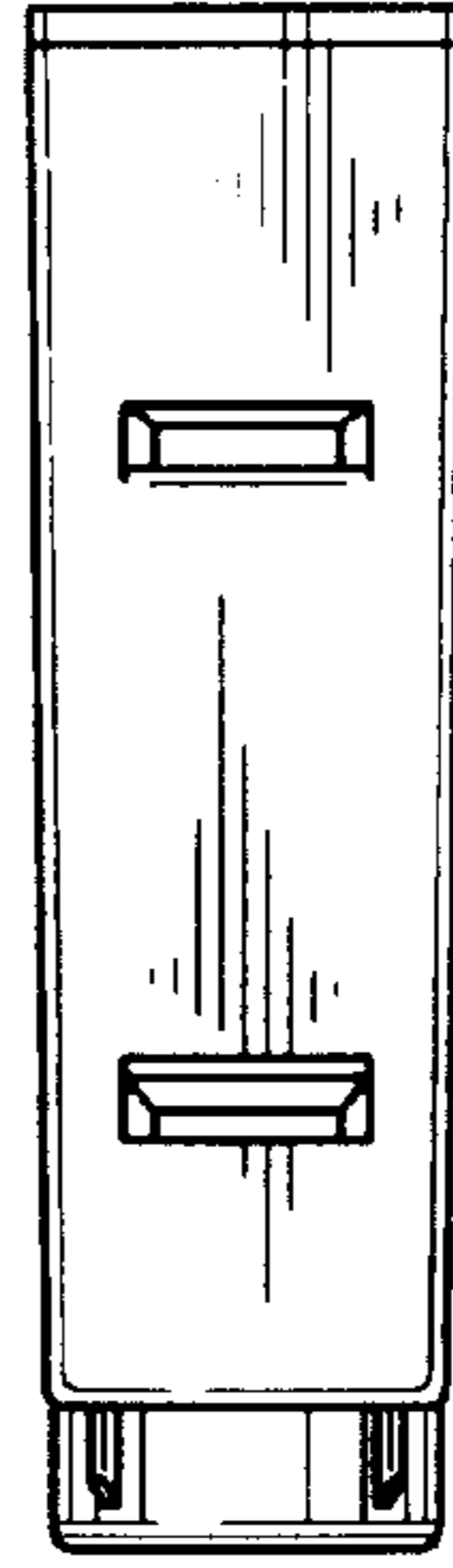


FIG. 3

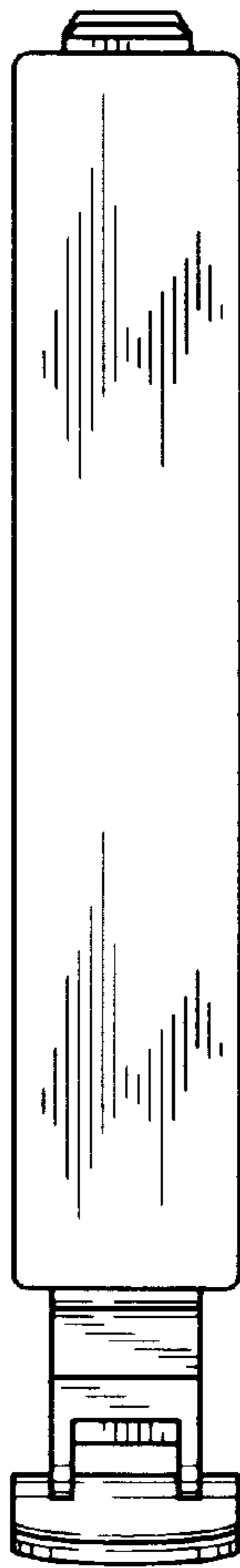


FIG. 4

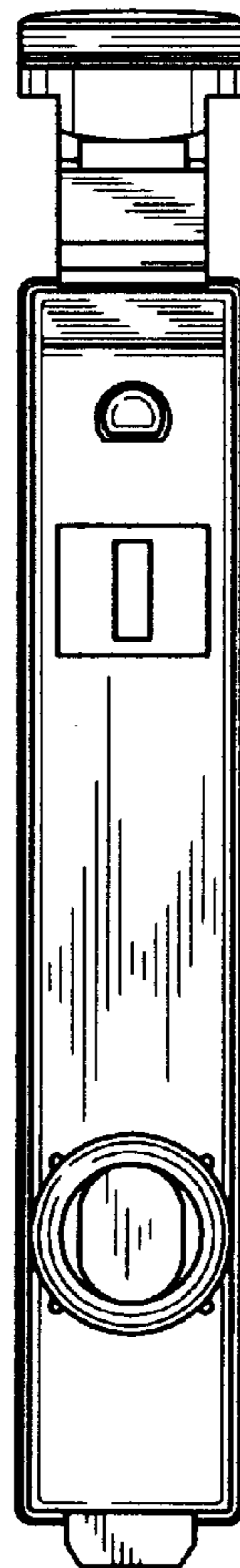


FIG. 5

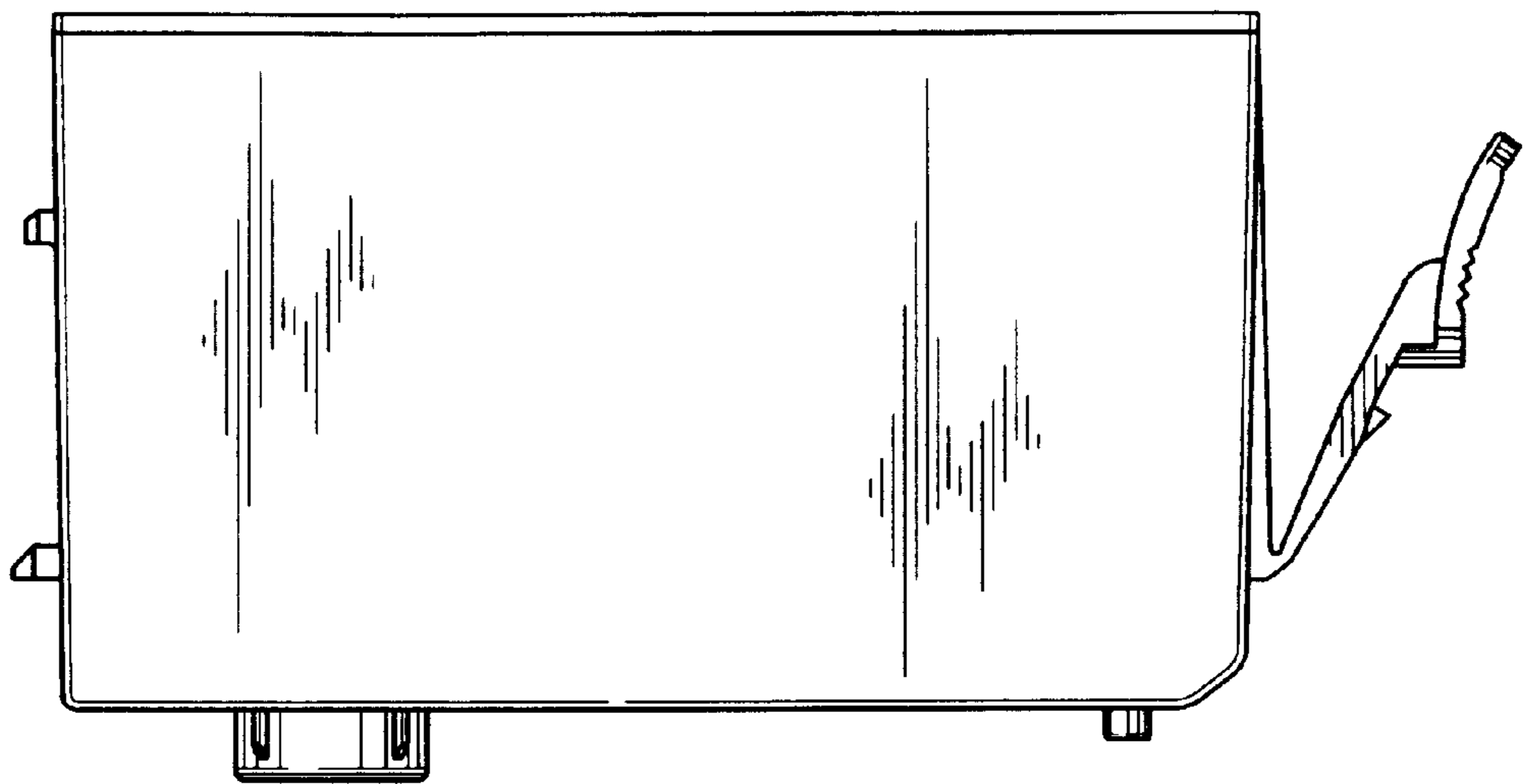


FIG. 6

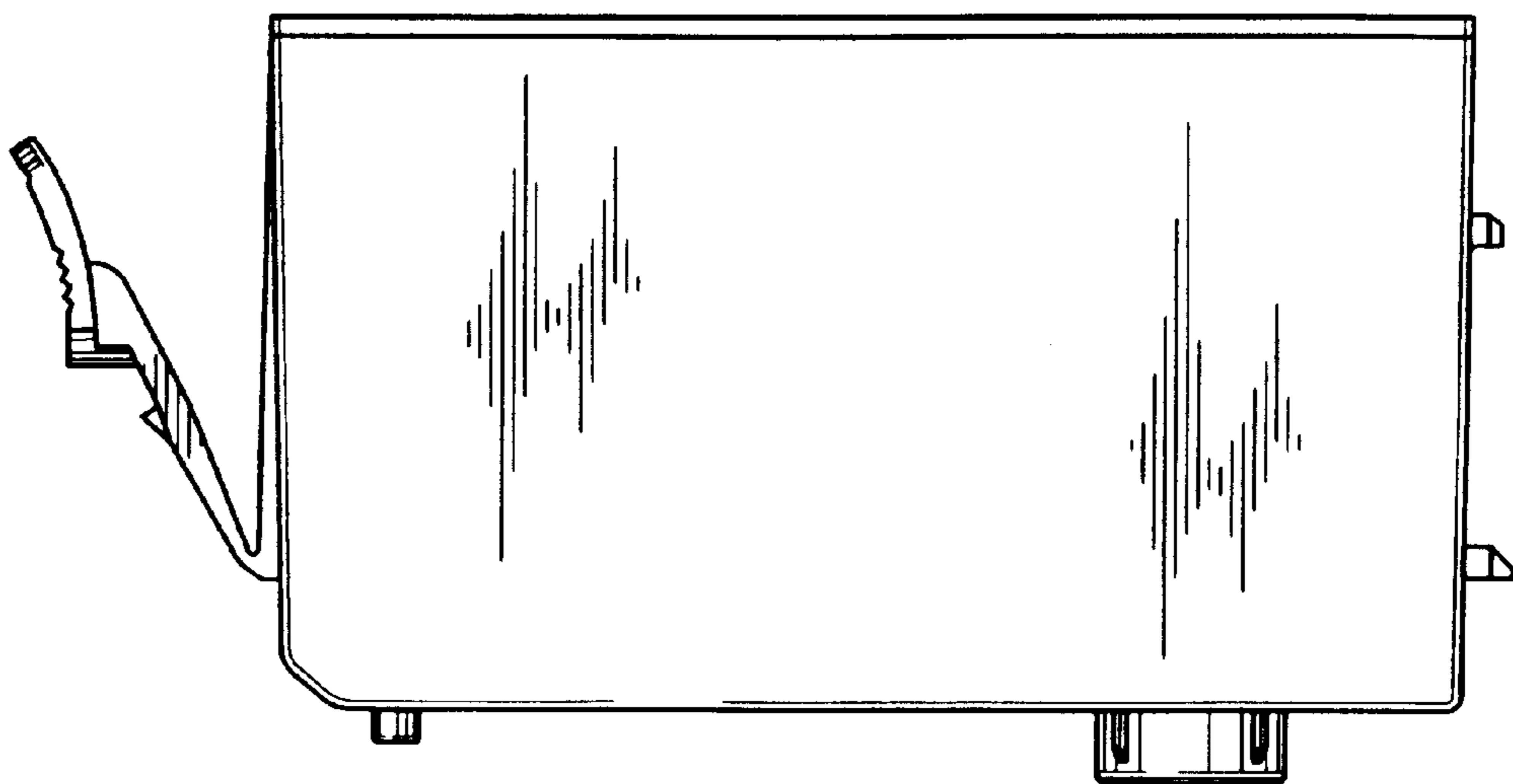
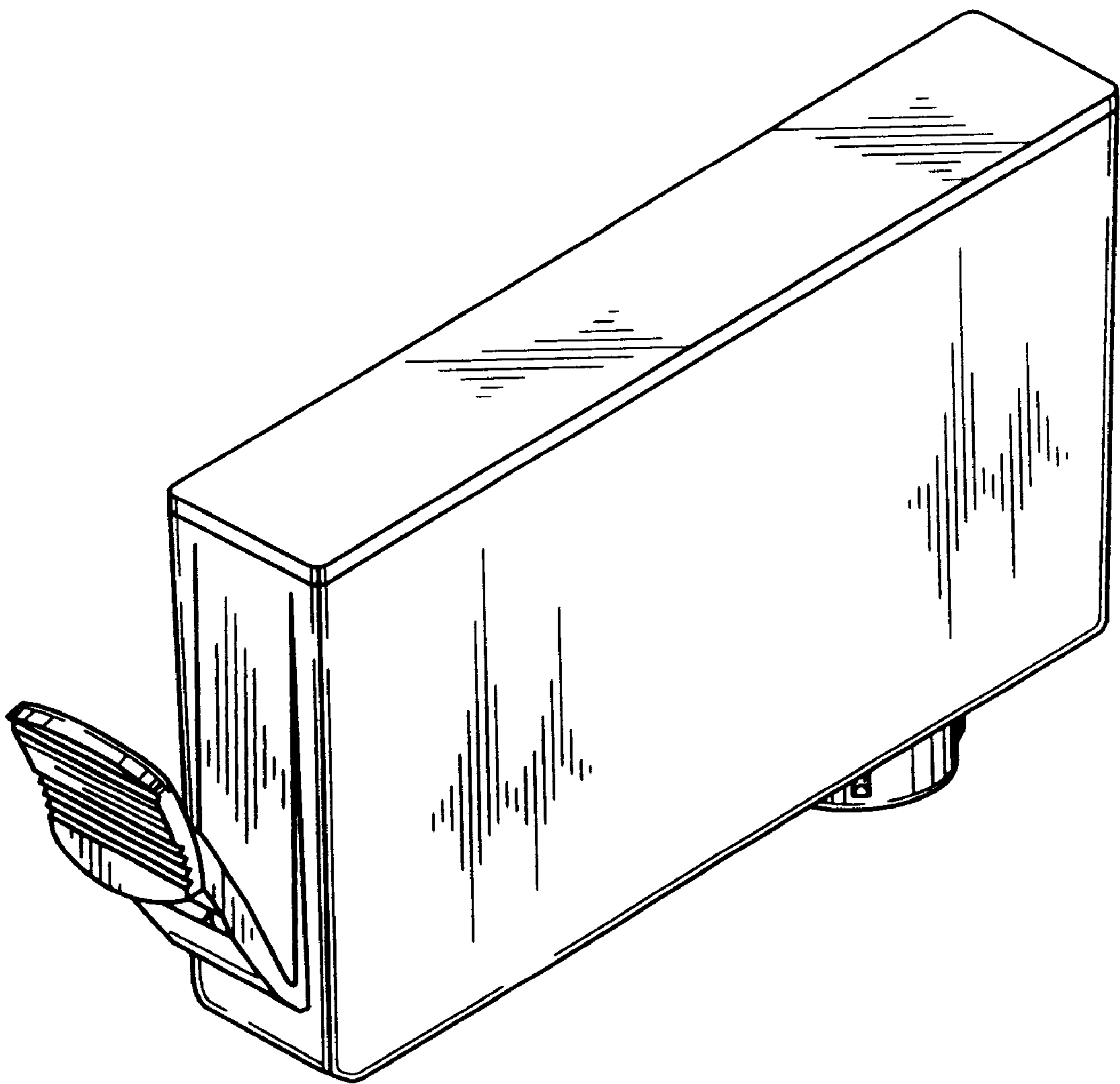


FIG. 7



UNITED STATES PATENT AND TRADEMARK OFFICE
CERTIFICATE OF CORRECTION

PATENT NO. : Des. 424,612
DATED : May 9, 2000
INVENTOR(S) : Manabu Inoue et al.

Page 1 of 1

It is certified that error appears in the above-identified patent and that said Letters Patent is hereby corrected as shown below:

[30] FOREIGN APPLICATION PRIORITY DATA

Insert: -- [30] Foreign Application Priority Data
Sept. 25, 1998 [JP] Japan 10-027540 --.

Signed and Sealed this

Fourth Day of September, 2001

Attest:

Nicholas P. Godici

Attesting Officer

NICHOLAS P. GODICI
Acting Director of the United States Patent and Trademark Office