



US00D424610S

United States Patent [19]

Scarton et al.

[11] Patent Number: **Des. 424,610**

[45] Date of Patent: **** May 9, 2000**

[54] **INK JET PRINTER**

[75] Inventors: **Gianrico Scarton**, Ivrea; **Attilio De Ambrogio**, Cigliano, both of Italy

[73] Assignee: **Olivetti Lexicon S.p.A.**, Ivrea, Italy

[**] Term: **14 Years**

[21] Appl. No.: **29/101,965**

[22] Filed: **Mar. 15, 1999**

[30] Foreign Application Priority Data

Sep. 14, 1998 [IT] Italy TO9800239

[51] **LOC (7) Cl.** **14-02**

[52] **U.S. Cl.** **D18/55**

[58] **Field of Search** D18/50, 54-55,
D18/36-37; 400/613, 613.1-613.4, 690.1-690.4,
691-694

[56] References Cited

U.S. PATENT DOCUMENTS

- D. 321,713 11/1991 Matsuo et al. D18/54
- D. 343,637 1/1994 Umino et al. D18/55
- D. 349,922 8/1994 Tashiro D18/50
- D. 370,025 5/1996 Weng D18/50
- D. 371,158 6/1996 Yoshida D18/50
- D. 375,119 10/1996 Pangburn D18/50

- D. 378,100 2/1997 Sekine D18/54
- D. 382,256 8/1997 Lin D18/50
- D. 388,405 12/1997 Lin D18/50
- D. 390,597 2/1998 Igarashi et al. D18/55
- D. 395,332 6/1998 Leong et al. D18/55
- D. 399,251 10/1998 McGlashan D18/55
- D. 400,918 11/1998 Kobayashi et al. D18/55
- D. 401,965 12/1998 Pangburn D18/55
- D. 409,232 5/1999 Kim D18/50
- D. 411,228 6/1999 Kobayashi et al. D18/50
- D. 414,508 9/1999 Pangburn D18/55
- D. 414,799 10/1999 Cook et al. D18/55

Primary Examiner—Cathy Anne MacCormac
Attorney, Agent, or Firm—Banner & Witcoff, Ltd.

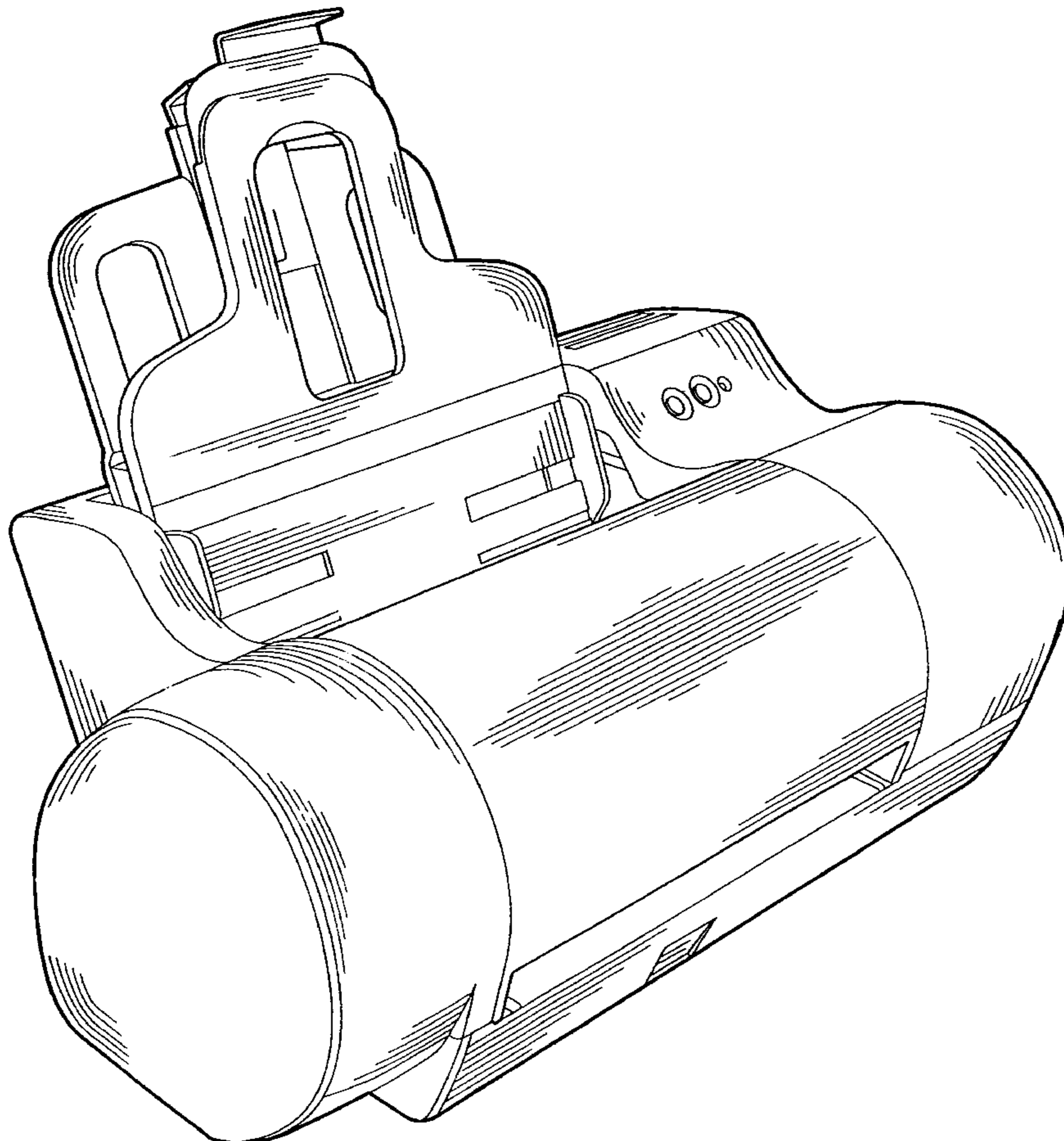
[57] CLAIM

The ornamental design for an ink jet printer, as shown and described.

DESCRIPTION

FIG. 1 is a top front and left side perspective view of an ink jet printer having the design of the invention; FIG. 2 is a top rear and right side perspective view thereof; FIG. 3 is a top view thereof; FIG. 4 is a front view thereof; FIG. 5 is a right side view thereof; and, FIG. 6 is a rear view thereof.

1 Claim, 6 Drawing Sheets



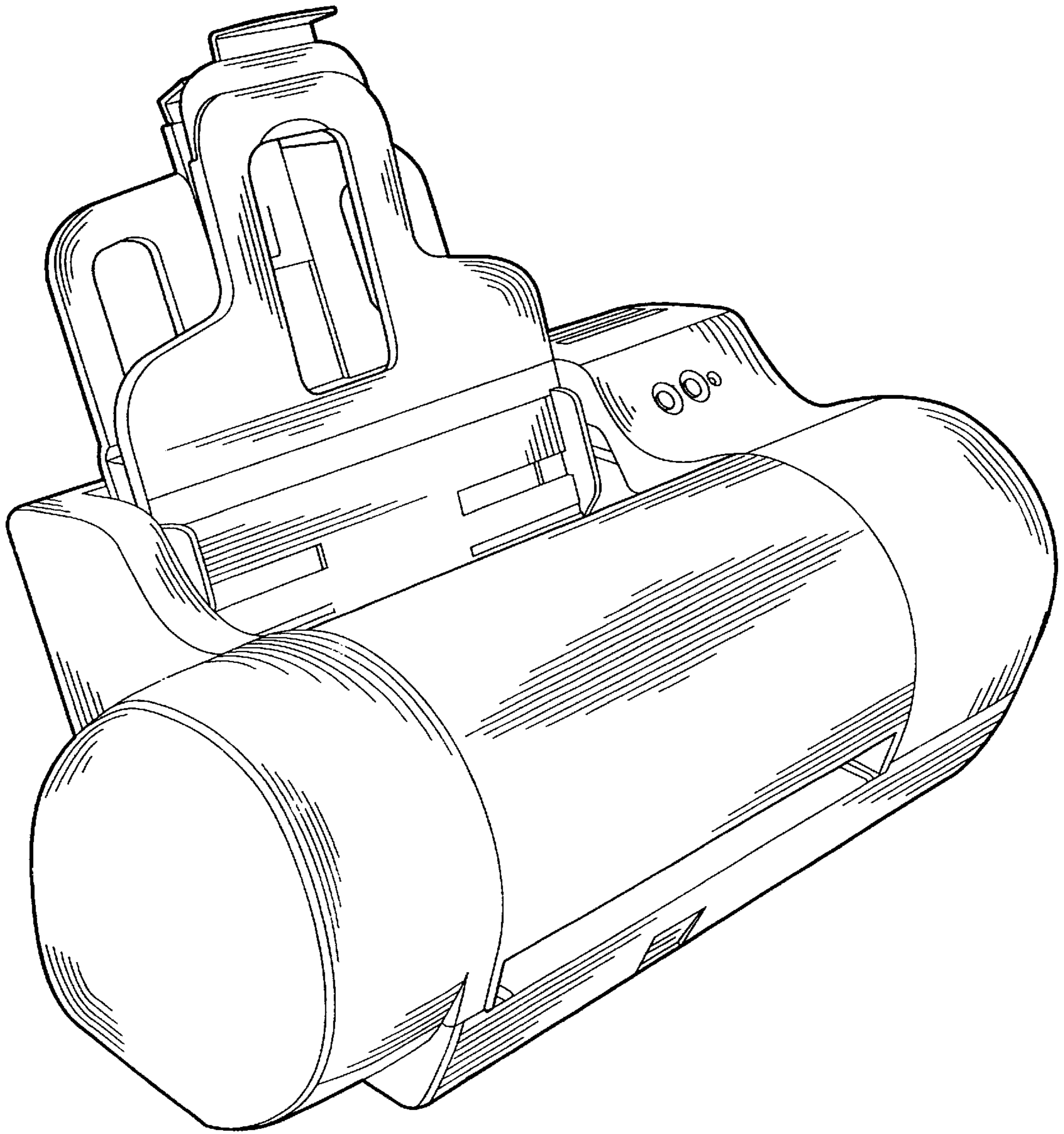


Fig. 1

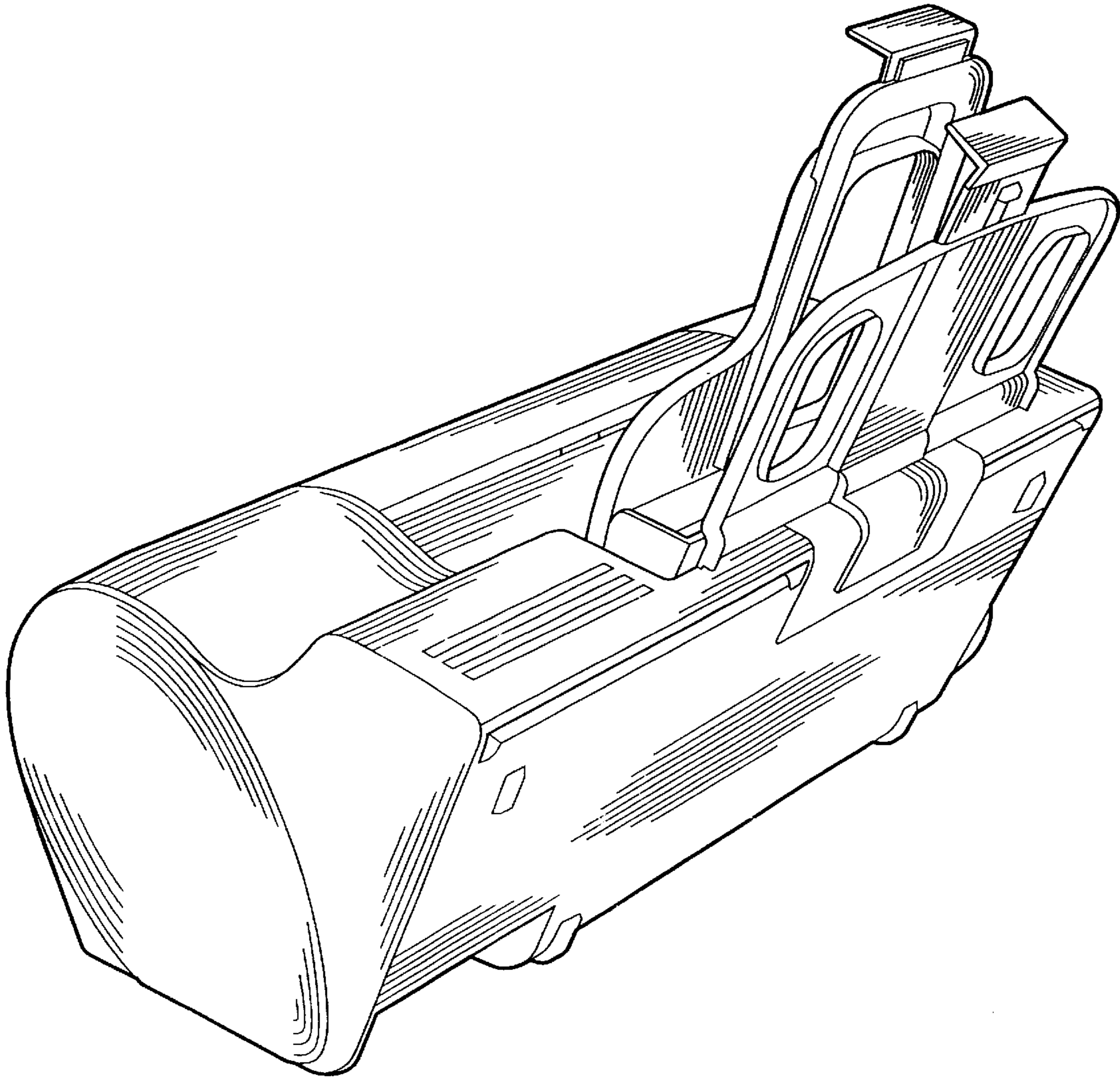


Fig. 2

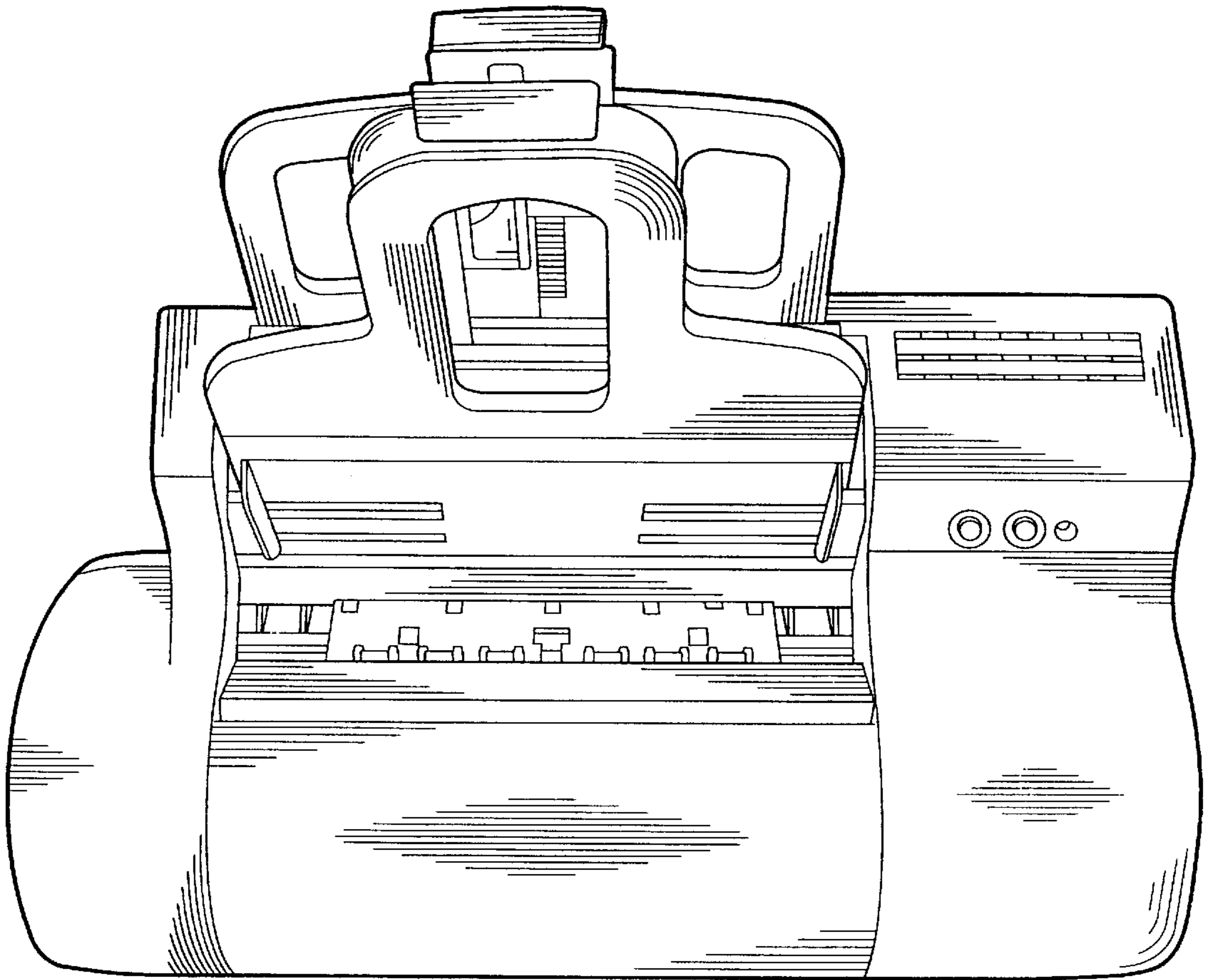


Fig. 3

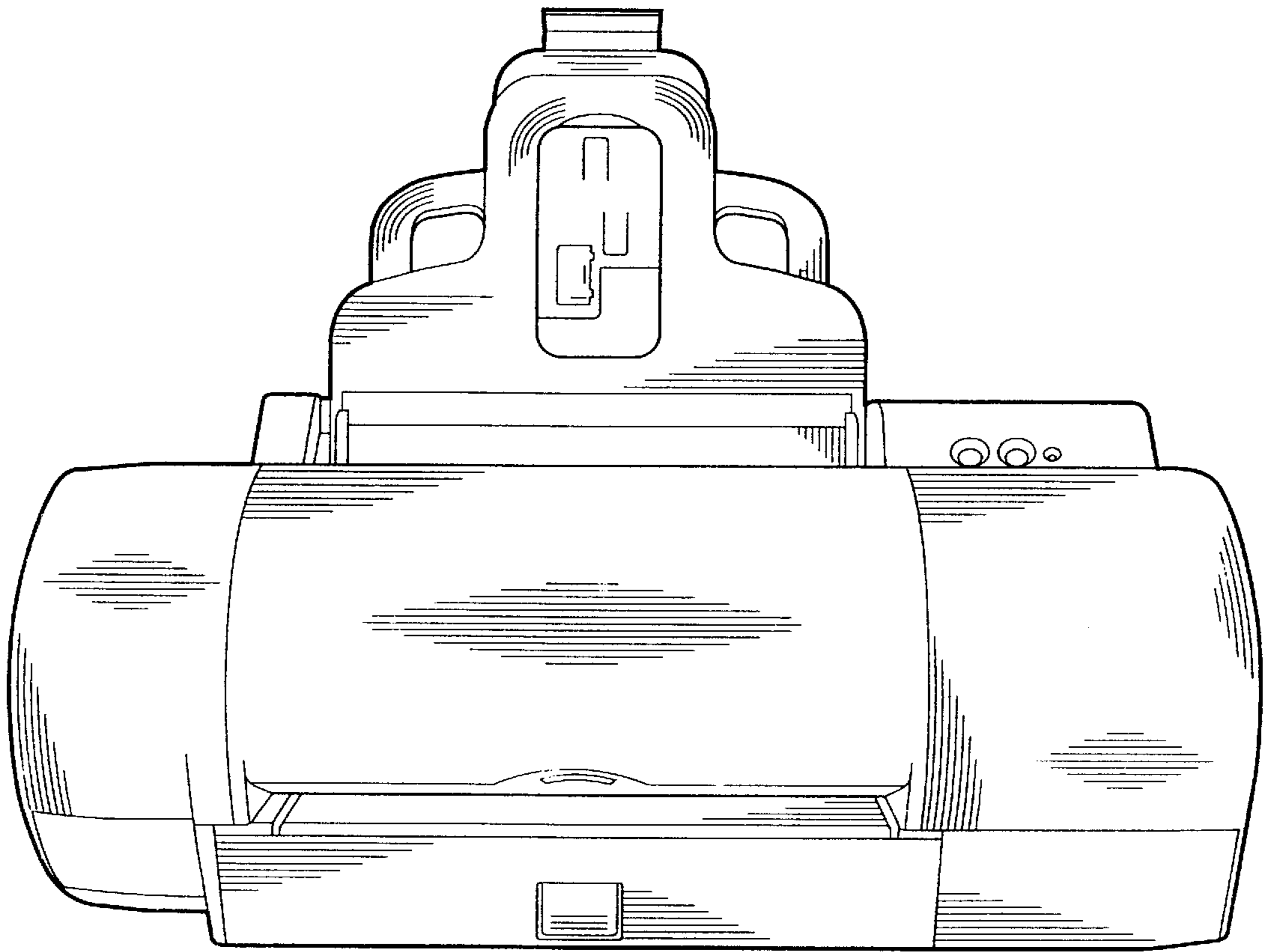


Fig. 4

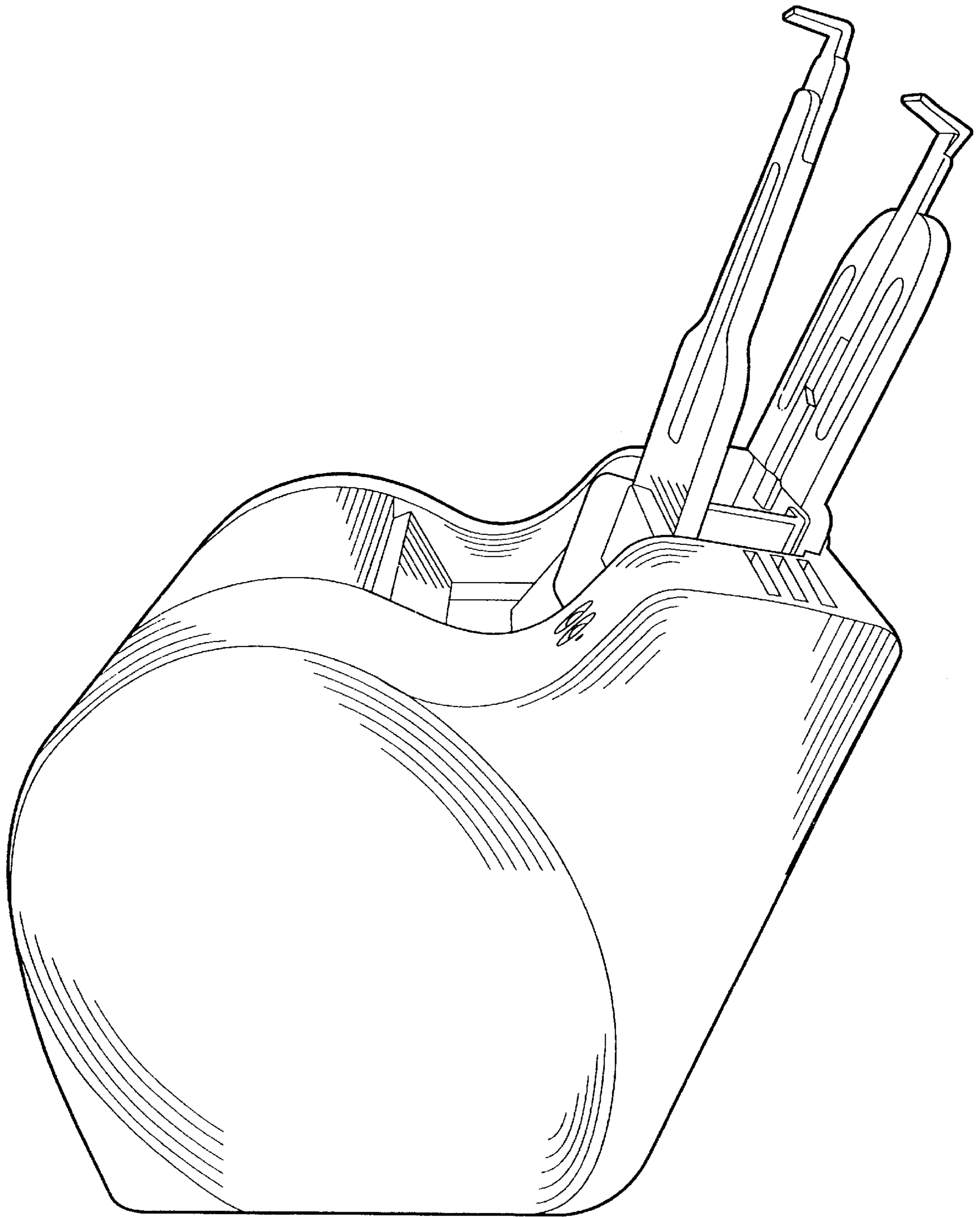


Fig. 5

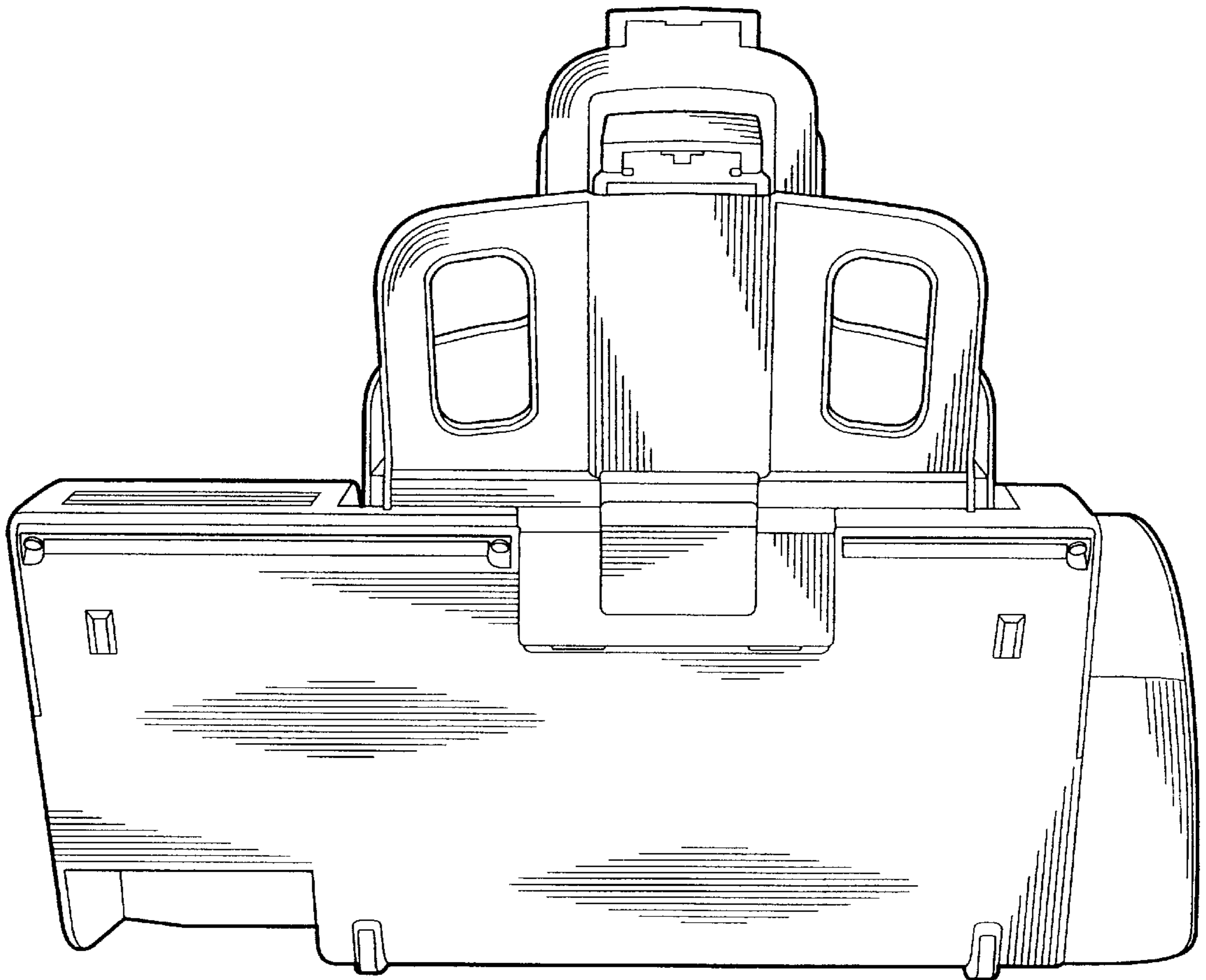


Fig. 6