



US00D424603S

United States Patent [19]

Jones

[11] **Patent Number: Des. 424,603**

[45] **Date of Patent: ** May 9, 2000**

[54] **PERSONAL ELECTRONIC COMMERCE APPARATUS**

[76] Inventor: **James R. Jones**, 3004 Sandia Dr., Raleigh, N.C. 27607

[**] Term: **14 Years**

[21] Appl. No.: **29/104,486**

[22] Filed: **May 6, 1999**

[51] **LOC (7) Cl.** **18-01**

[52] **U.S. Cl.** **D18/4; D14/100; D14/105**

[58] **Field of Search** D14/100, 106, D14/115, 105, 150; D18/4; D19/26, 59, 60; 178/18.03; 902/22; 348/150; D99/35; 235/2, 7 R; 194/205

[56] **References Cited**

U.S. PATENT DOCUMENTS

D. 348,661	7/1994	Hansen et al.	D14/115
D. 349,690	8/1994	Miyata et al.	D14/100
D. 362,239	9/1995	Je	D14/105
D. 362,427	9/1995	Mizusugi et al.	D14/105
D. 385,903	11/1997	Kim	D18/4
D. 394,245	5/1998	Brodbeck	D14/150

Primary Examiner—Freda Nunn

Attorney, Agent, or Firm—Rosenthal & Putterman

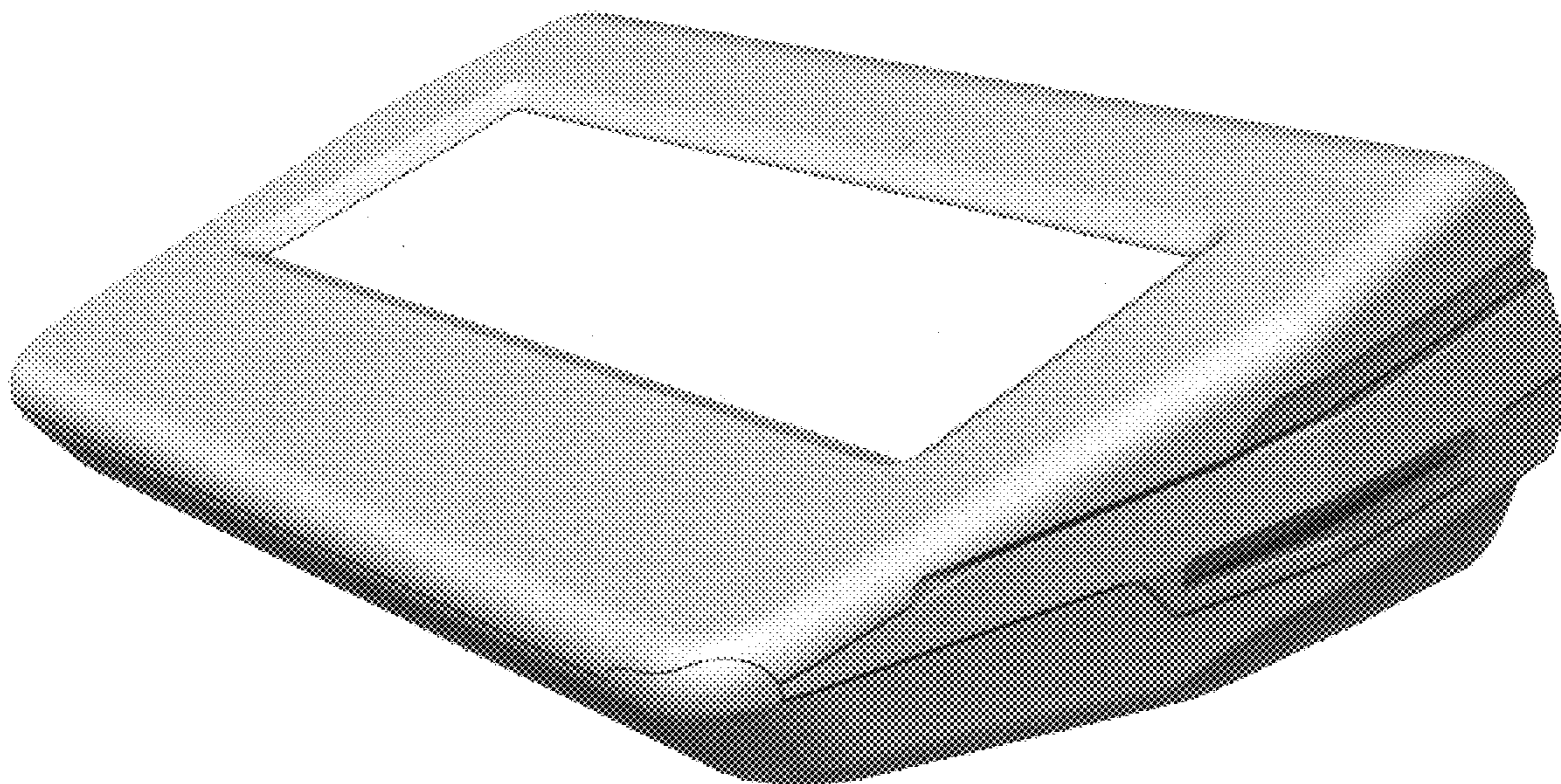
[57] **CLAIM**

I claim the ornamental design of the personal electronic commerce apparatus, as shown.

DESCRIPTION

FIG. 1 is a perspective view of the front of the personal electronic commerce apparatus;
 FIG. 2 is a perspective view of the rear of the personal electronic commerce apparatus;
 FIG. 3 is a perspective view of the underside of the personal electronic commerce apparatus take from below;
 FIG. 4 is a perspective view of the front of the personal electronic commerce apparatus;
 FIG. 5 is a top plan view of the personal electronic commerce apparatus;
 FIG. 6 is a front view of the personal electronic commerce apparatus;
 FIG. 7 is a left side view of the personal electronic commerce apparatus;
 FIG. 8 is a rear view of the personal electronic commerce apparatus; and,
 FIG. 9 is a right side view of the personal electronic commerce apparatus.

1 Claim, 9 Drawing Sheets



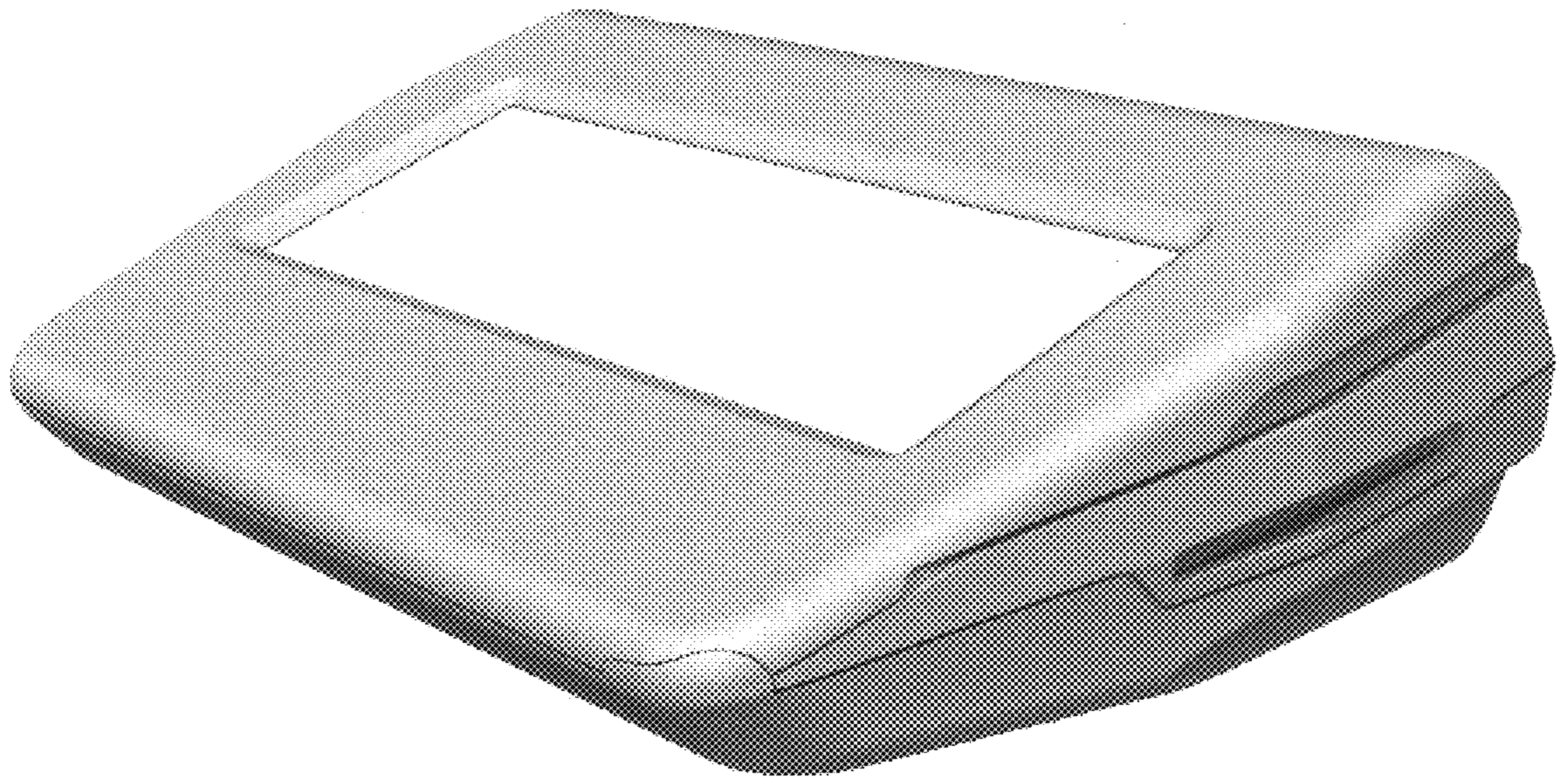


Fig. 1



Fig. 2

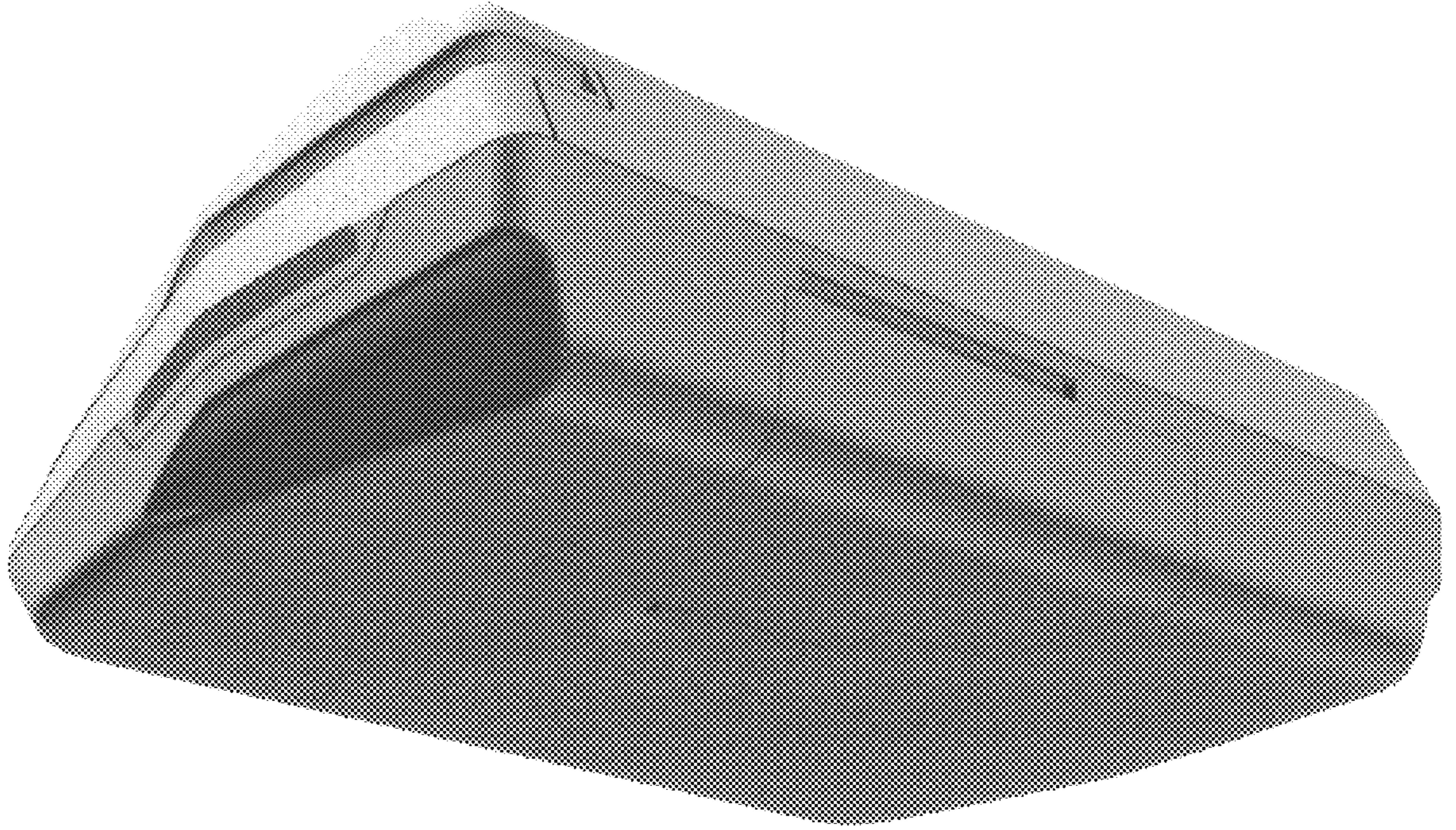


Fig. 3



Fig. 4

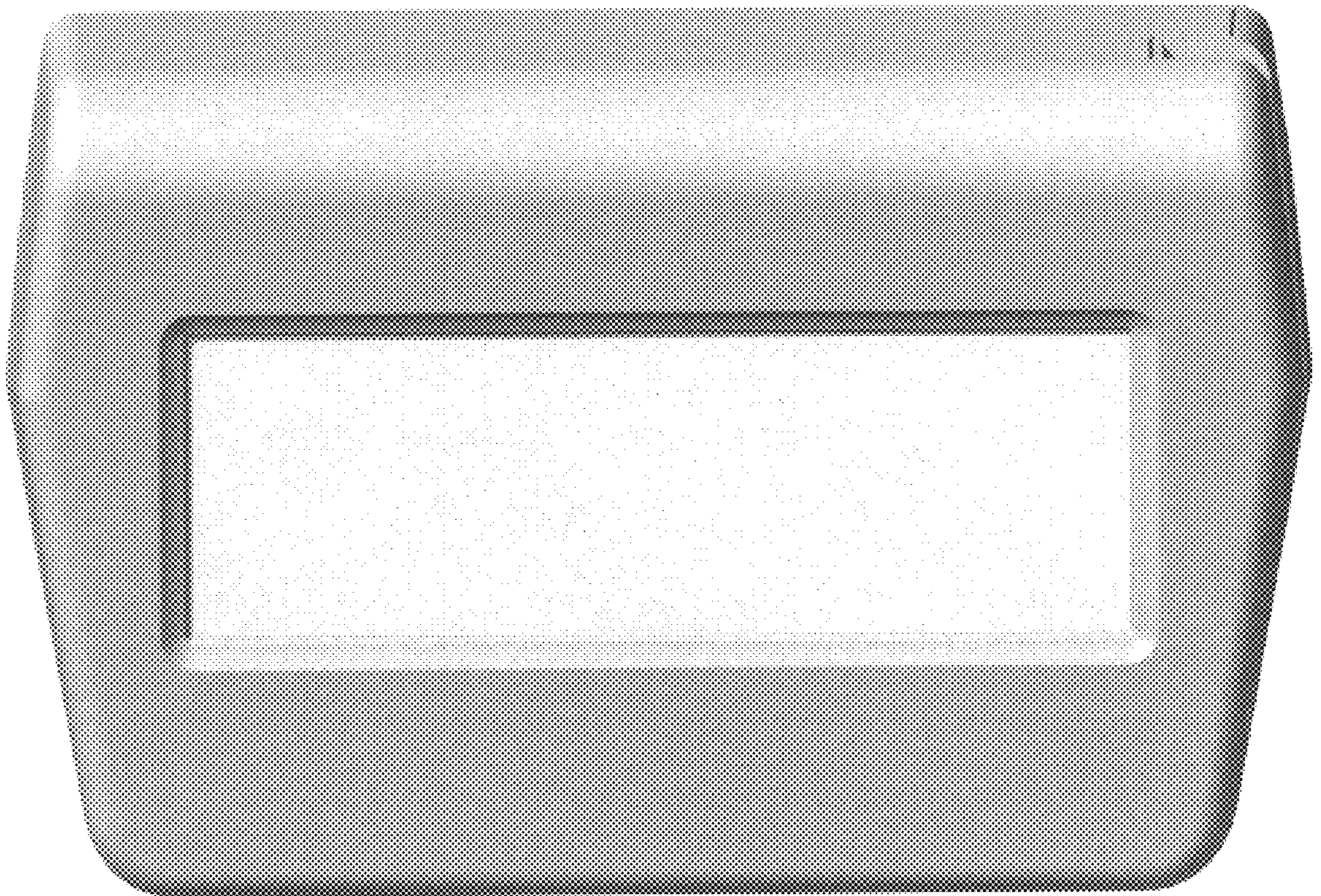


Fig. 5

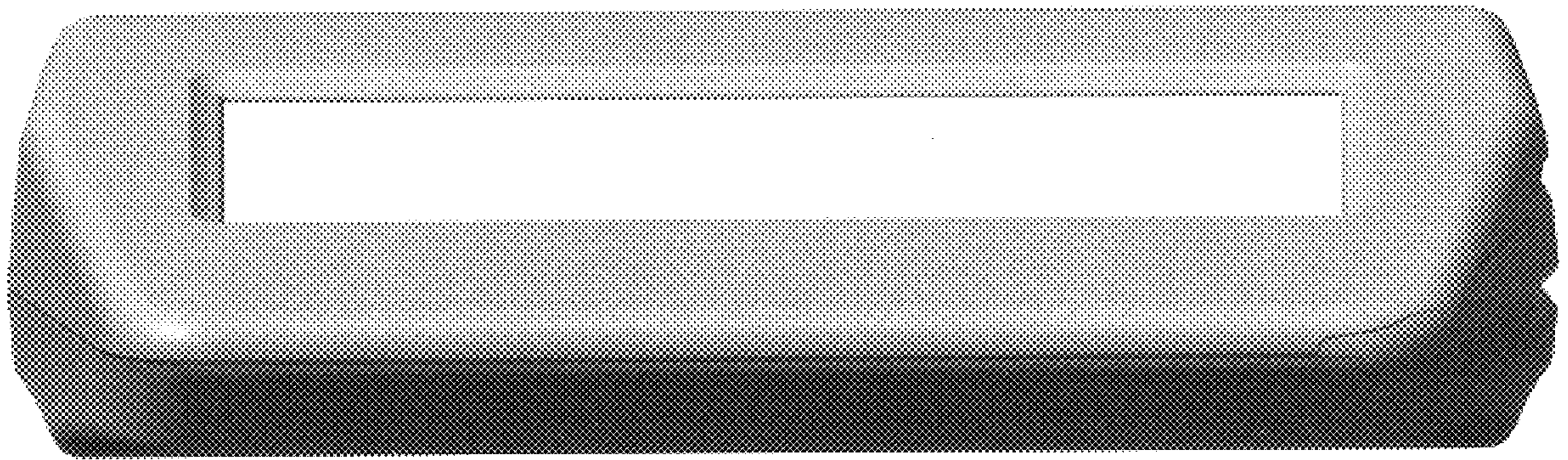


Fig. 6

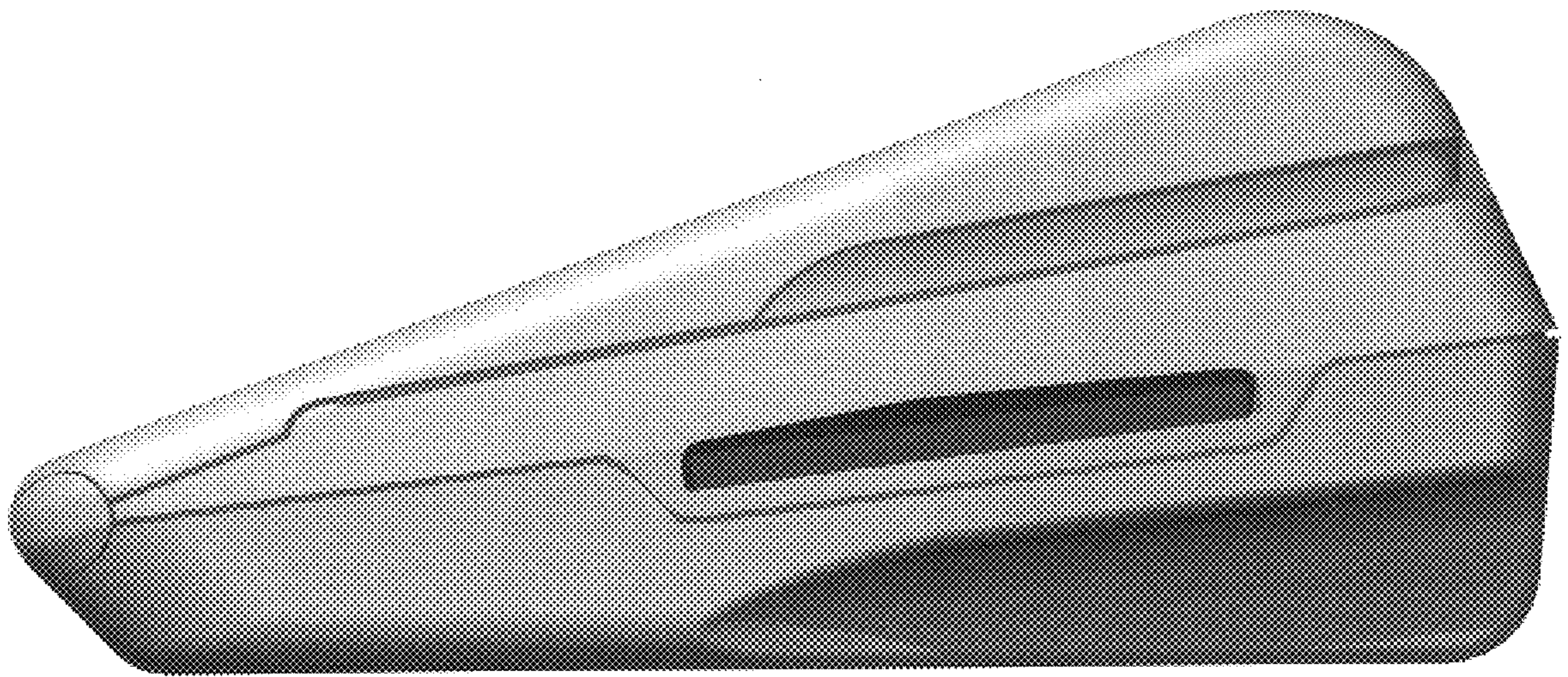


Fig. 7

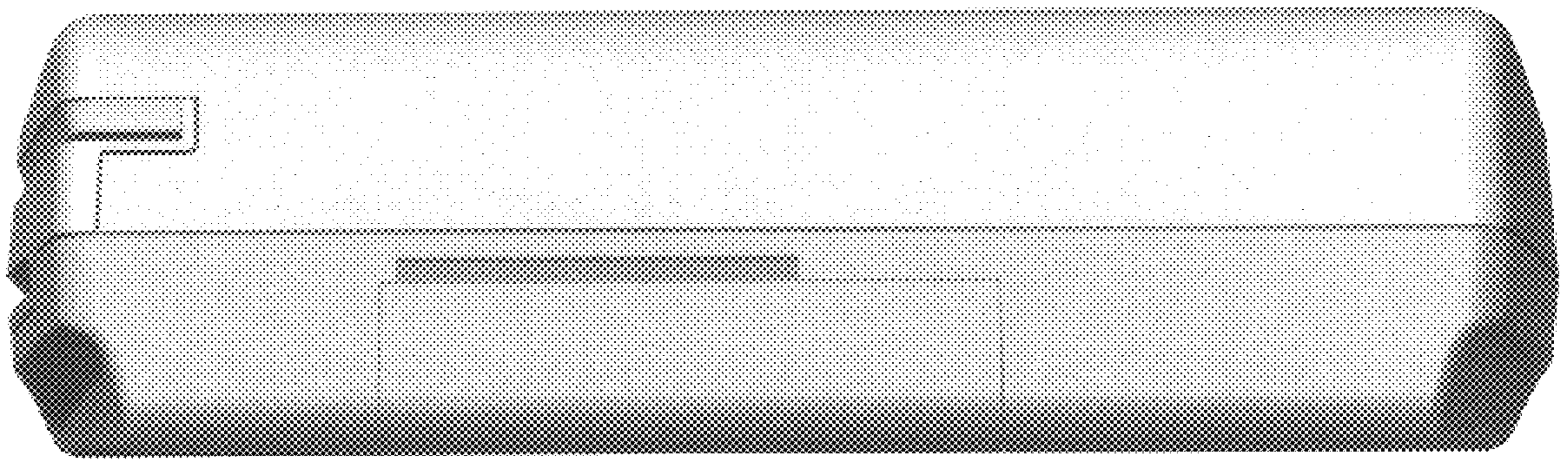


Fig. 8

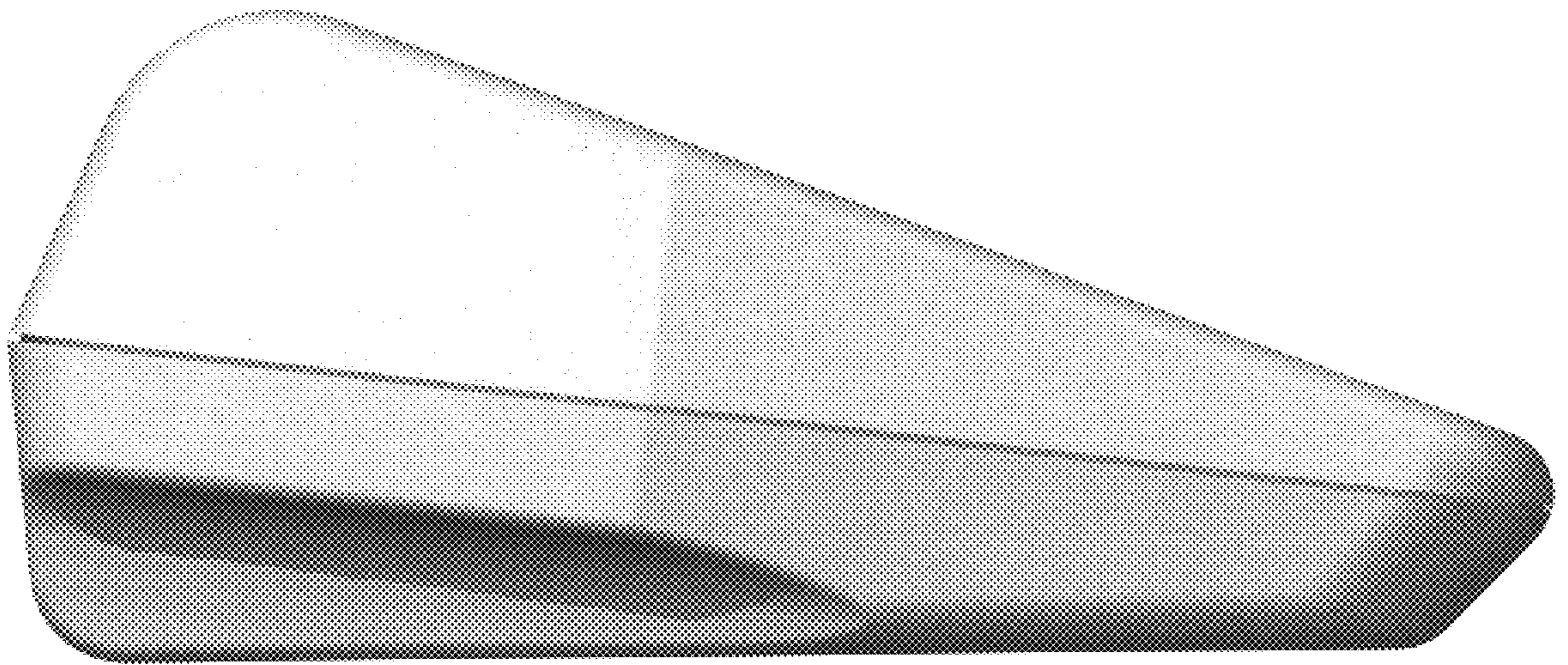


Fig. 9