



US00D424602S

United States Patent [19]
Lin

[11] **Patent Number: Des. 424,602**

[45] **Date of Patent: ** May 9, 2000**

[54] **CASH REGISTER**

[75] Inventor: **Bin-Shi Lin**, Taipei Hsien, Taiwan

[73] Assignee: **Sixty Two Trading Corp.**, Taipei, Taiwan

[**] Term: **14 Years**

[21] Appl. No.: **29/100,426**

[22] Filed: **Feb. 10, 1999**

[51] **LOC (7) Cl.** **18-01**

[52] **U.S. Cl.** **D18/4**

[58] **Field of Search** D18/4, 6, 7, 11;
D14/100, 105, 106, 113, 114, 115; 235/1 D,
1 E, 2, 4, 7 R, 10, 145, 375, 380, 419;
364/404, 405

[56] **References Cited**

U.S. PATENT DOCUMENTS

D. 361,757 8/1995 Mizusugi et al. D14/105

D. 362,427 9/1995 Mizusugi et al. D14/105
D. 385,904 11/1997 Kim D18/4

Primary Examiner—Caron D. Veynar
Attorney, Agent, or Firm—Pro-Techtor Inter-National Services

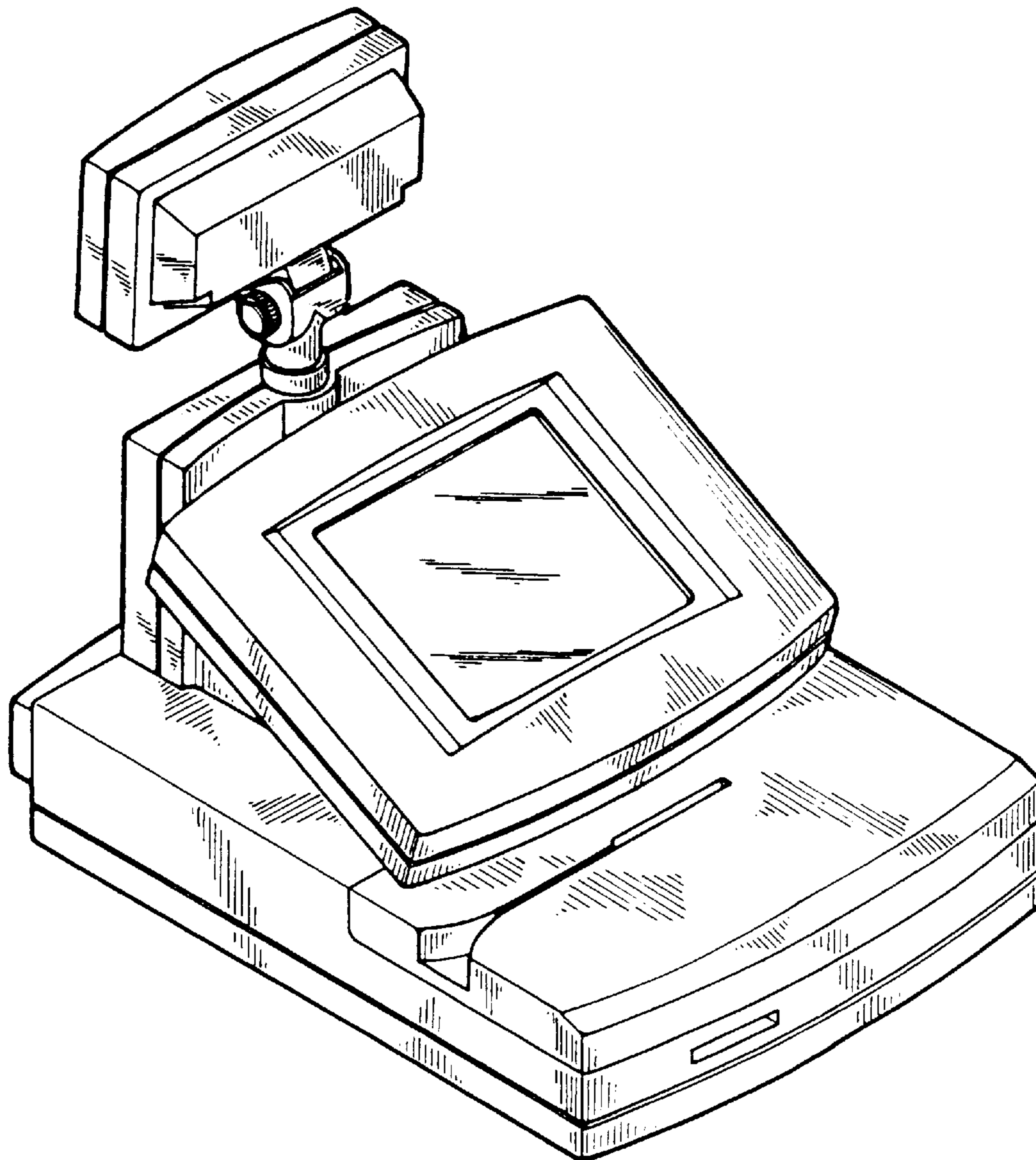
[57] **CLAIM**

The ornamental design for a cash register, as shown and described.

DESCRIPTION

FIG. 1 is the front elevation view of a cash register showing my new design;
FIG. 2 is the rear elevation view thereof;
FIG. 3 is the left side view thereof;
FIG. 4 is the right side view thereof;
FIG. 5 is the top plan view thereof;
FIG. 6 is the bottom plan view thereof; and,
FIG. 7 is the perspective view thereof.

1 Claim, 4 Drawing Sheets



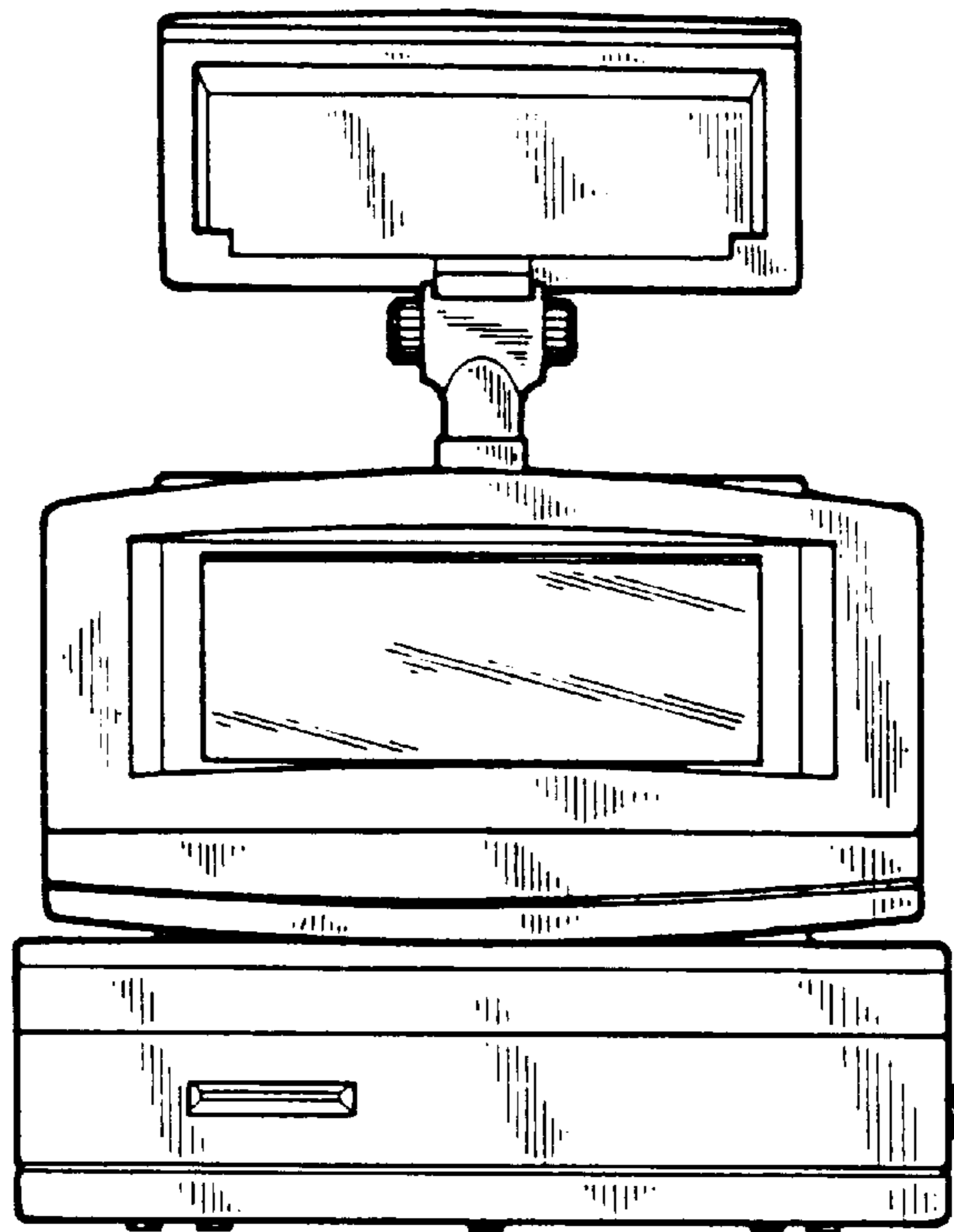


Fig. 1

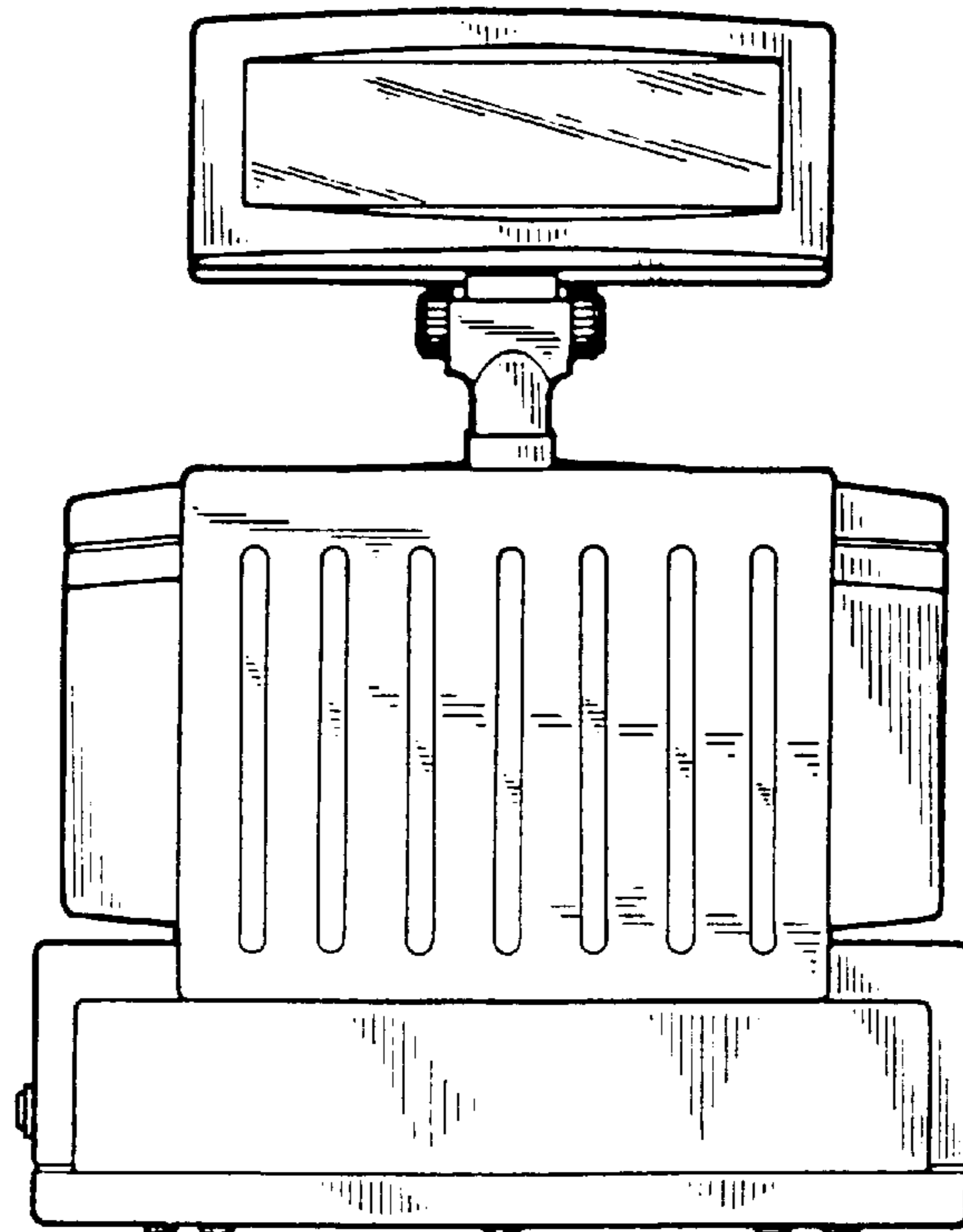


Fig. 2

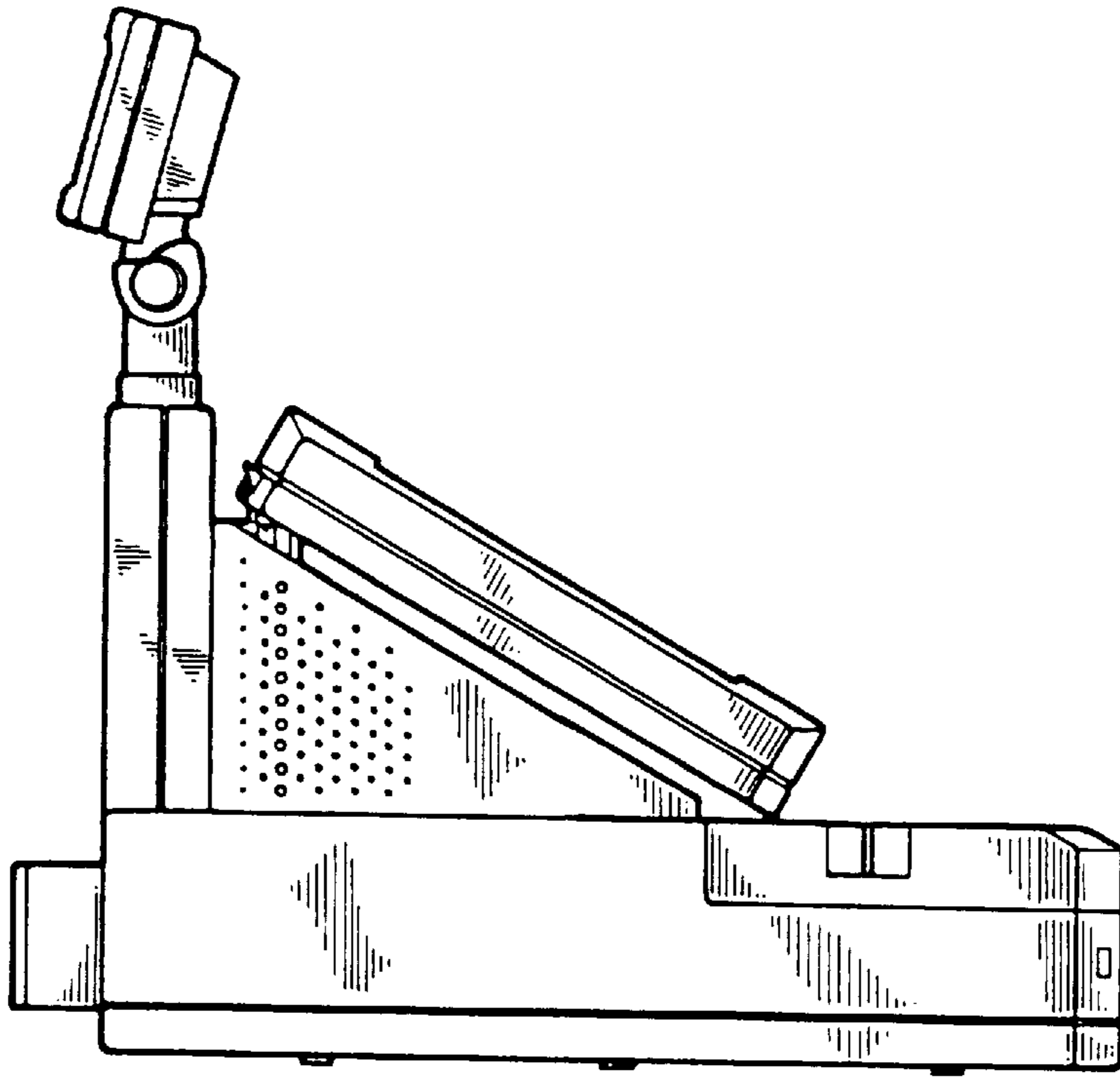


Fig. 3

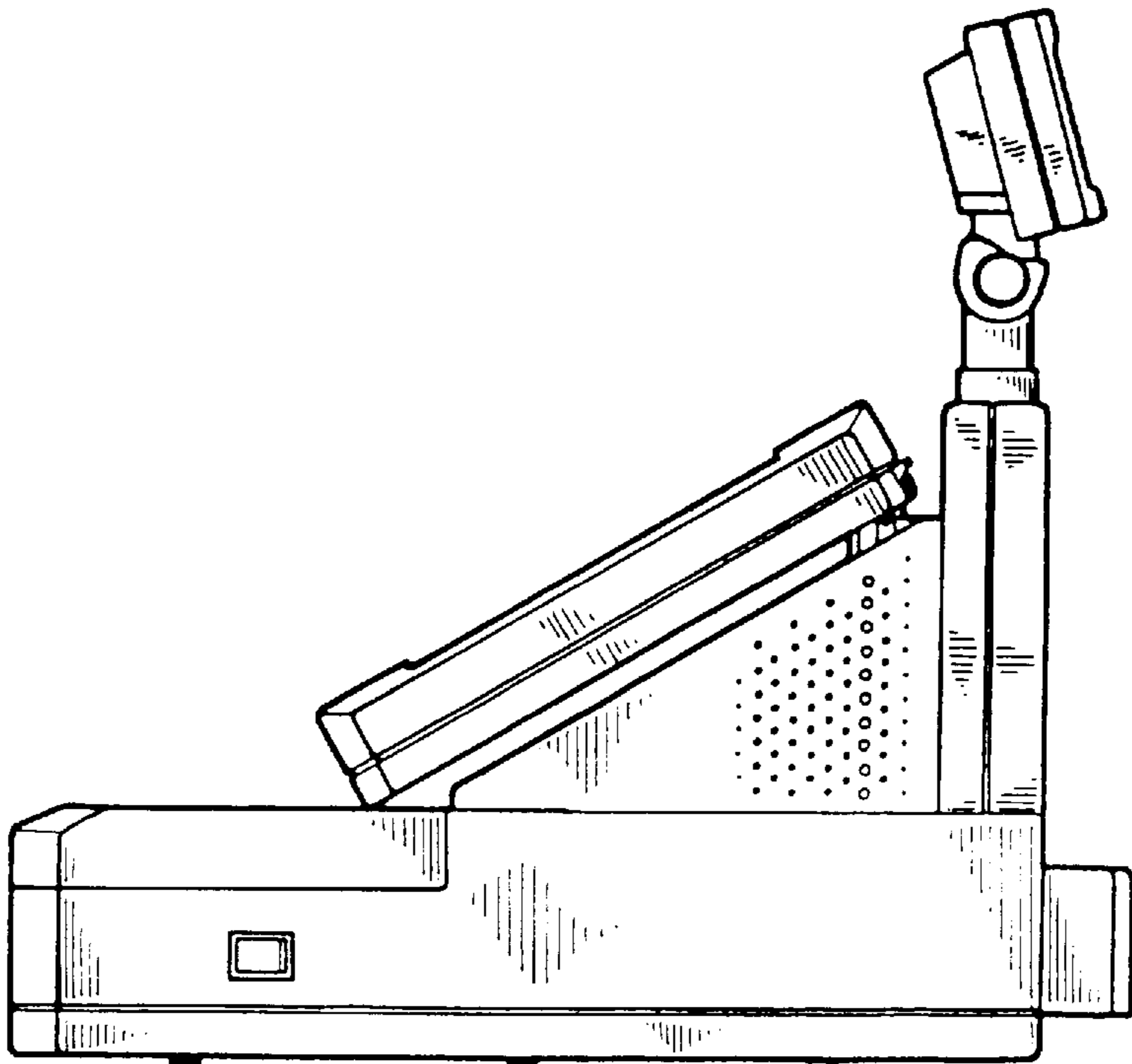


Fig. 4

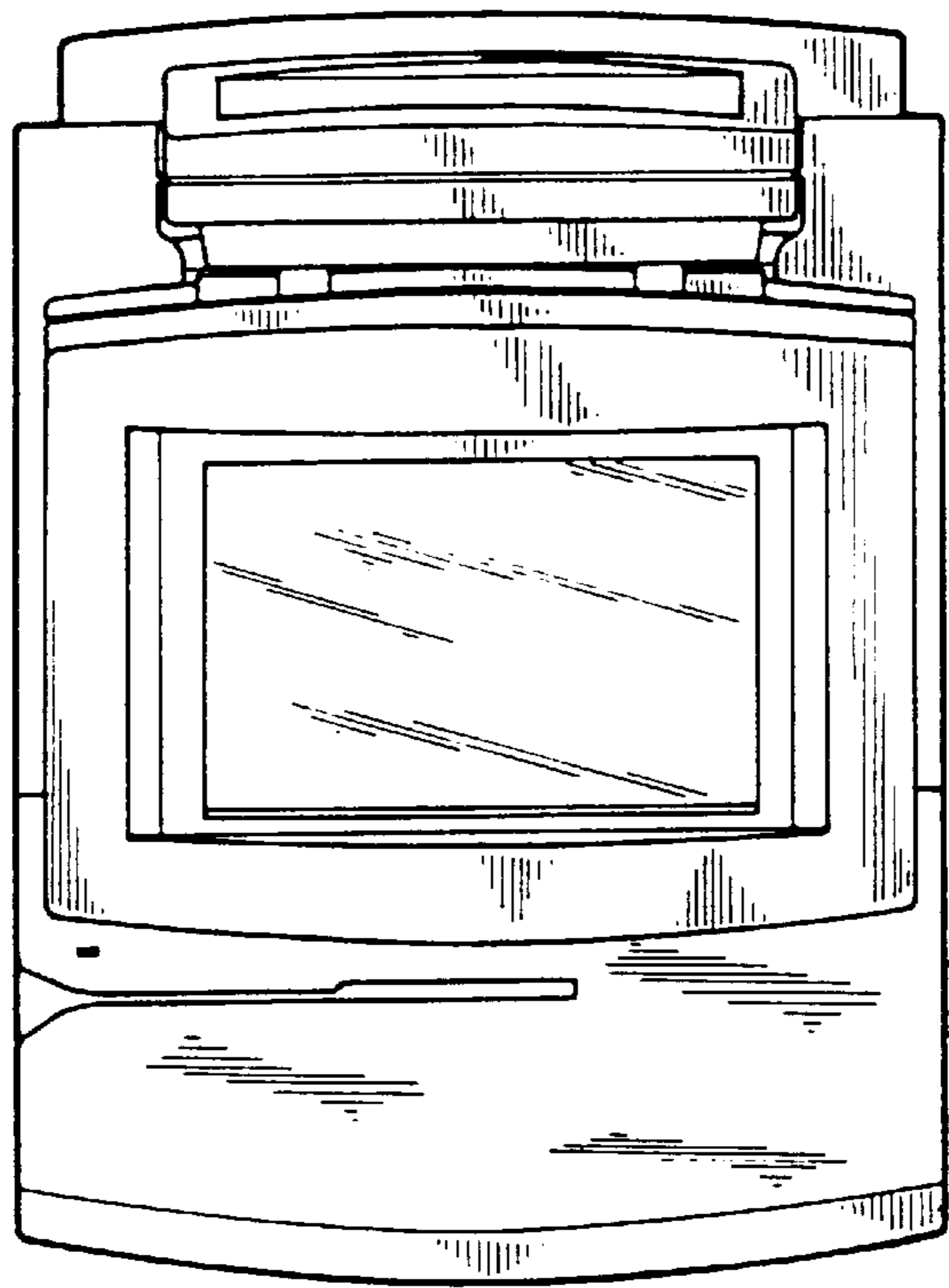


Fig. 5

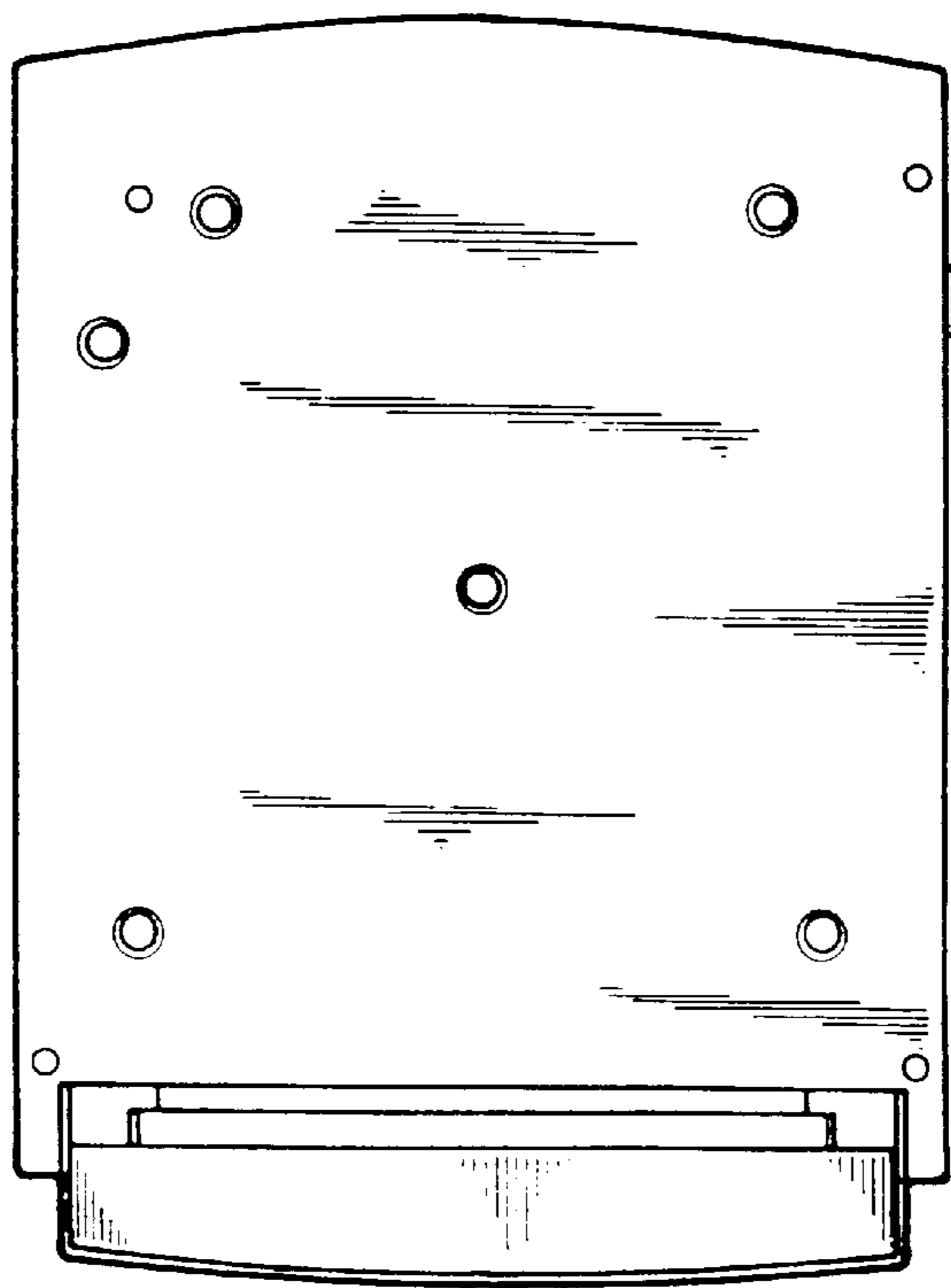


Fig. 6

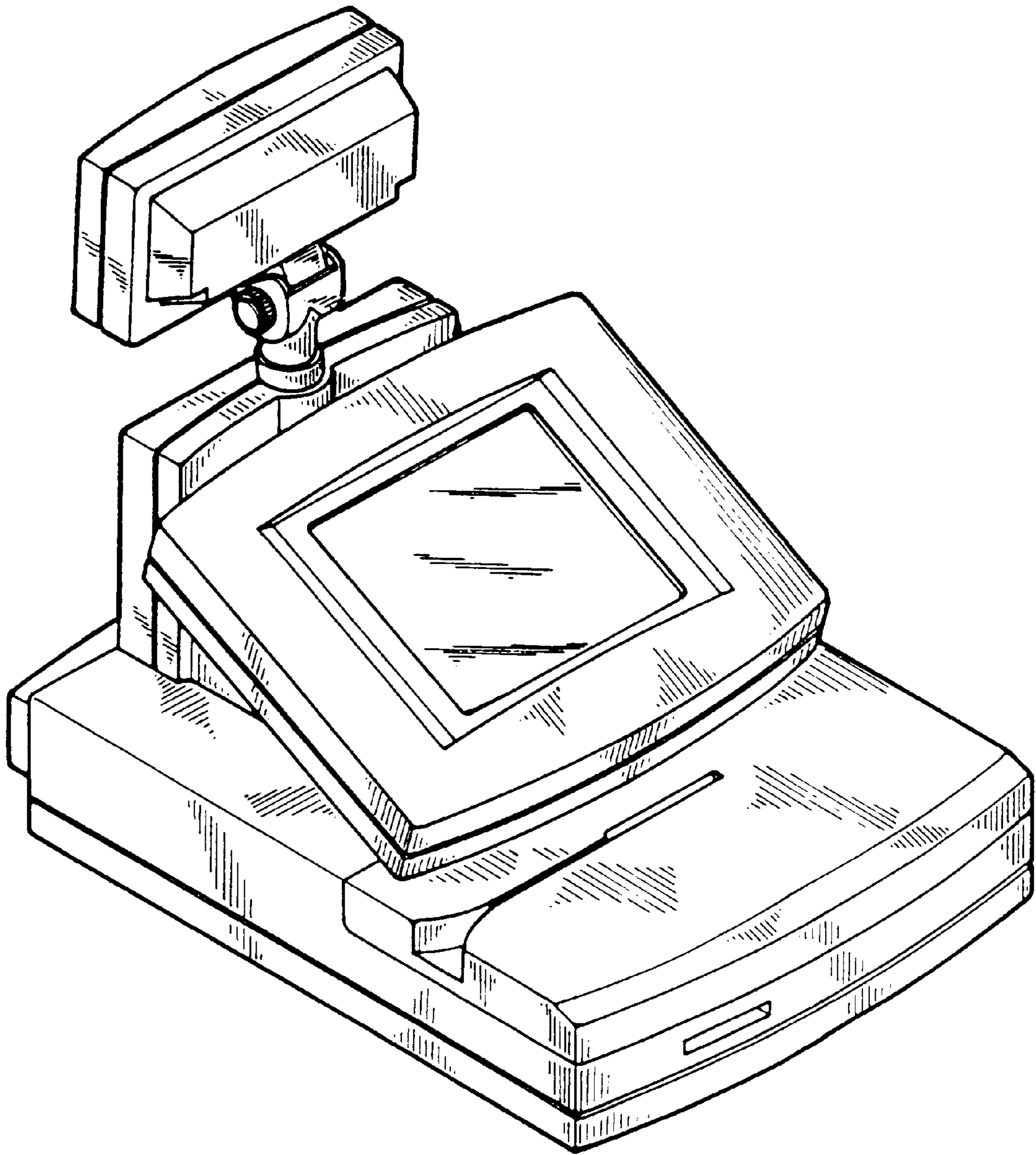


Fig. 7