



US00D424592S

# United States Patent [19] Craig

[11] **Patent Number: Des. 424,592**

[45] **Date of Patent: \*\* May 9, 2000**

[54] **PICKUP TRUCK CAMERA**

[75] Inventor: **Robert L Craig**, Pfafftown, N.C.

[73] Assignee: **Creative Camera Concepts**, Pfafftown, N.C.

[\*\*] Term: **14 Years**

[21] Appl. No.: **29/087,870**

[22] Filed: **May 11, 1998**

[51] **LOC (7) Cl.** ..... **16-01**

[52] **U.S. Cl.** ..... **D16/201; D12/93; 396/535**

[58] **Field of Search** ..... **D12/93, 98; D16/200-204; D21/548, 552, 514; 396/6, 433, 535-541**

[56] **References Cited**

**U.S. PATENT DOCUMENTS**

- D. 318,829 8/1991 Wada et al. .... D12/98
- D. 389,848 1/1998 James ..... D16/201
- D. 402,997 12/1998 Campbell et al. .... D21/548

**OTHER PUBLICATIONS**

Potentials in Marketing, 1993.

*Primary Examiner*—Adir Aronovich

[57] **CLAIM**

The ornamental design for a pickup truck camera, as shown and described.

**DESCRIPTION**

FIG. 1 is a perspective view showing the front and top of a camera in the shape of a pickup truck.

FIG. 2 is a bottom view of the camera in the shape of a pickup truck.

FIG. 3 is a driver side view of the camera in the shape of a pickup truck.

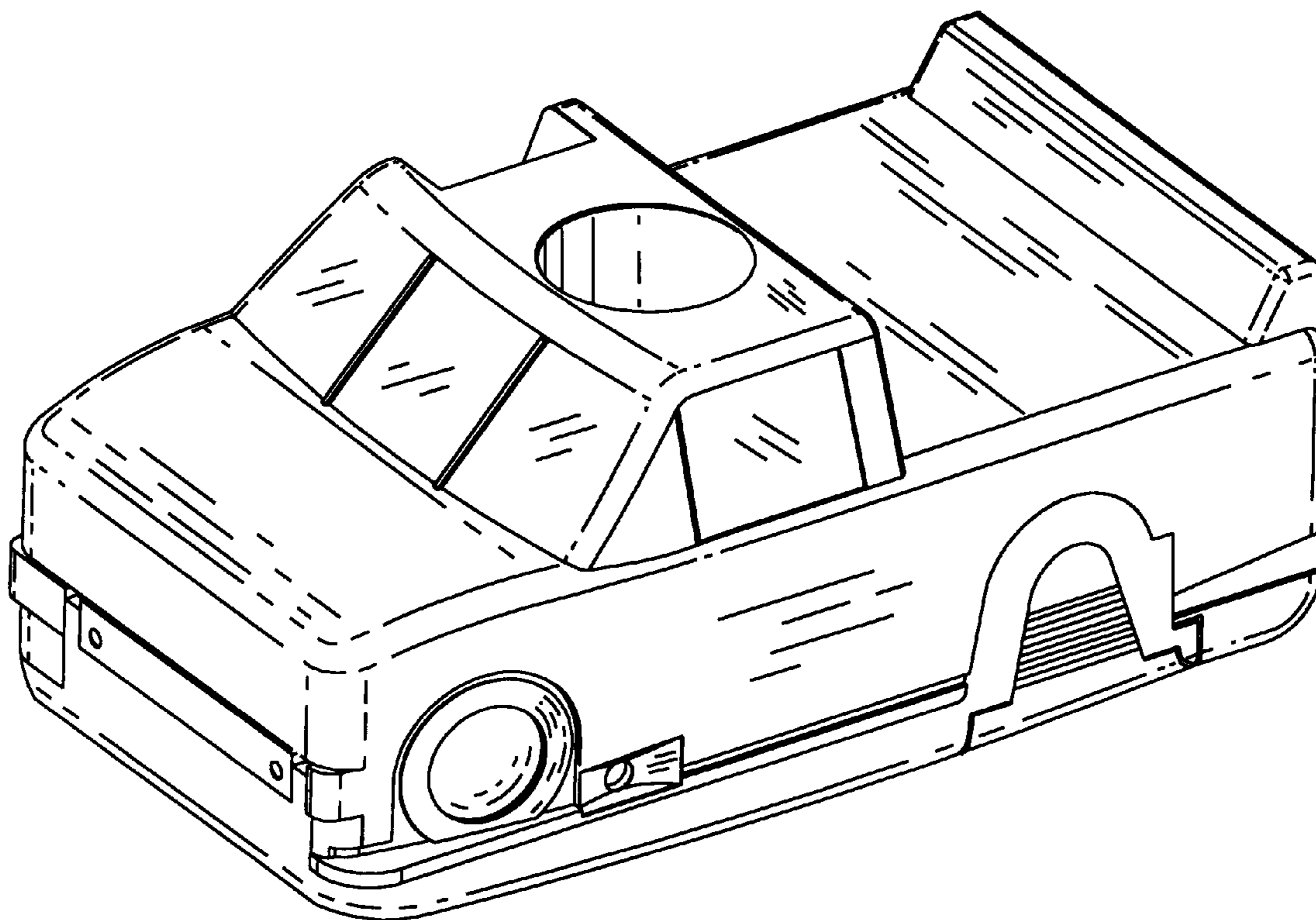
FIG. 4 is a passenger side view of the camera in the shape of a pickup truck.

FIG. 5 is a front view of the camera in the shape of a pickup truck.

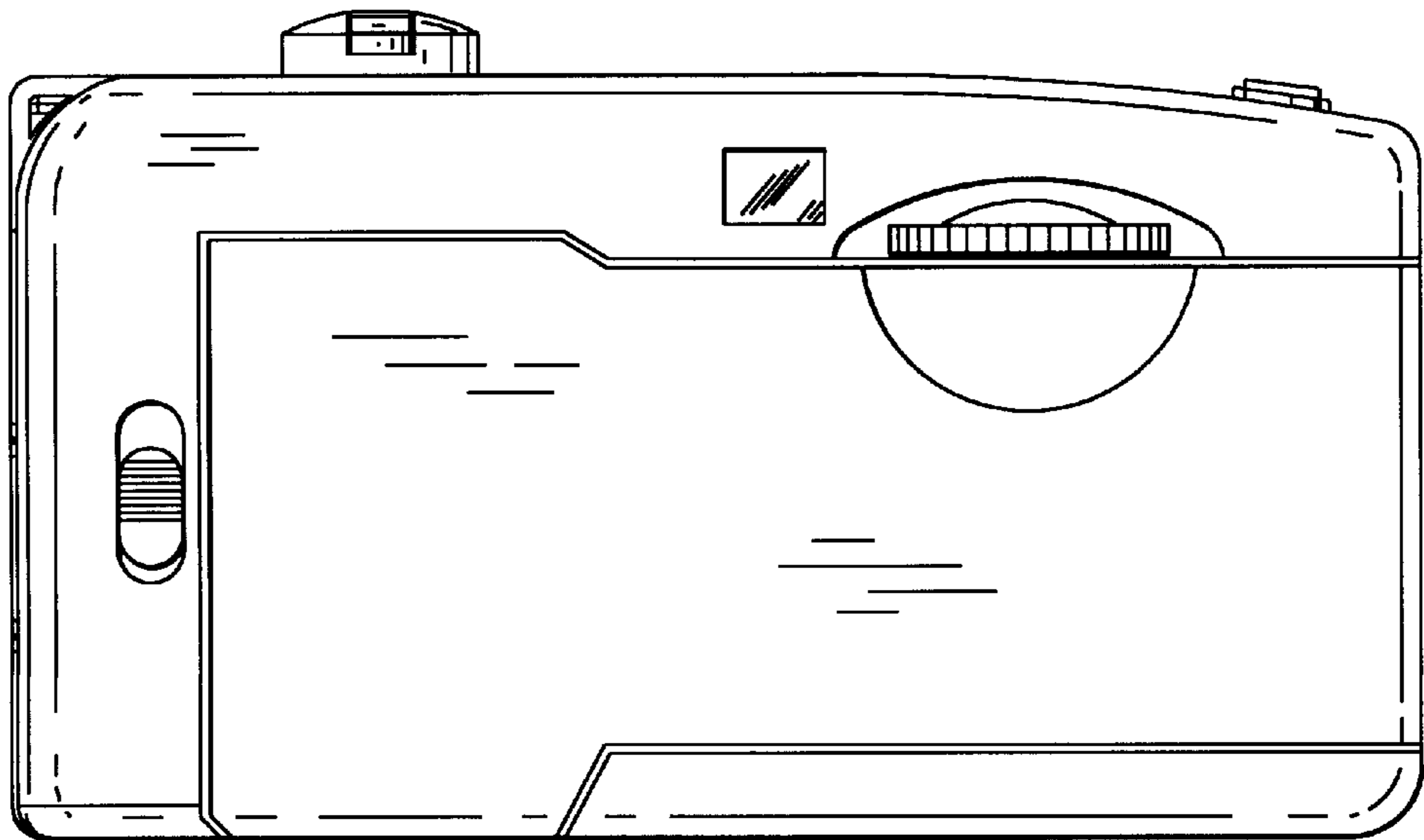
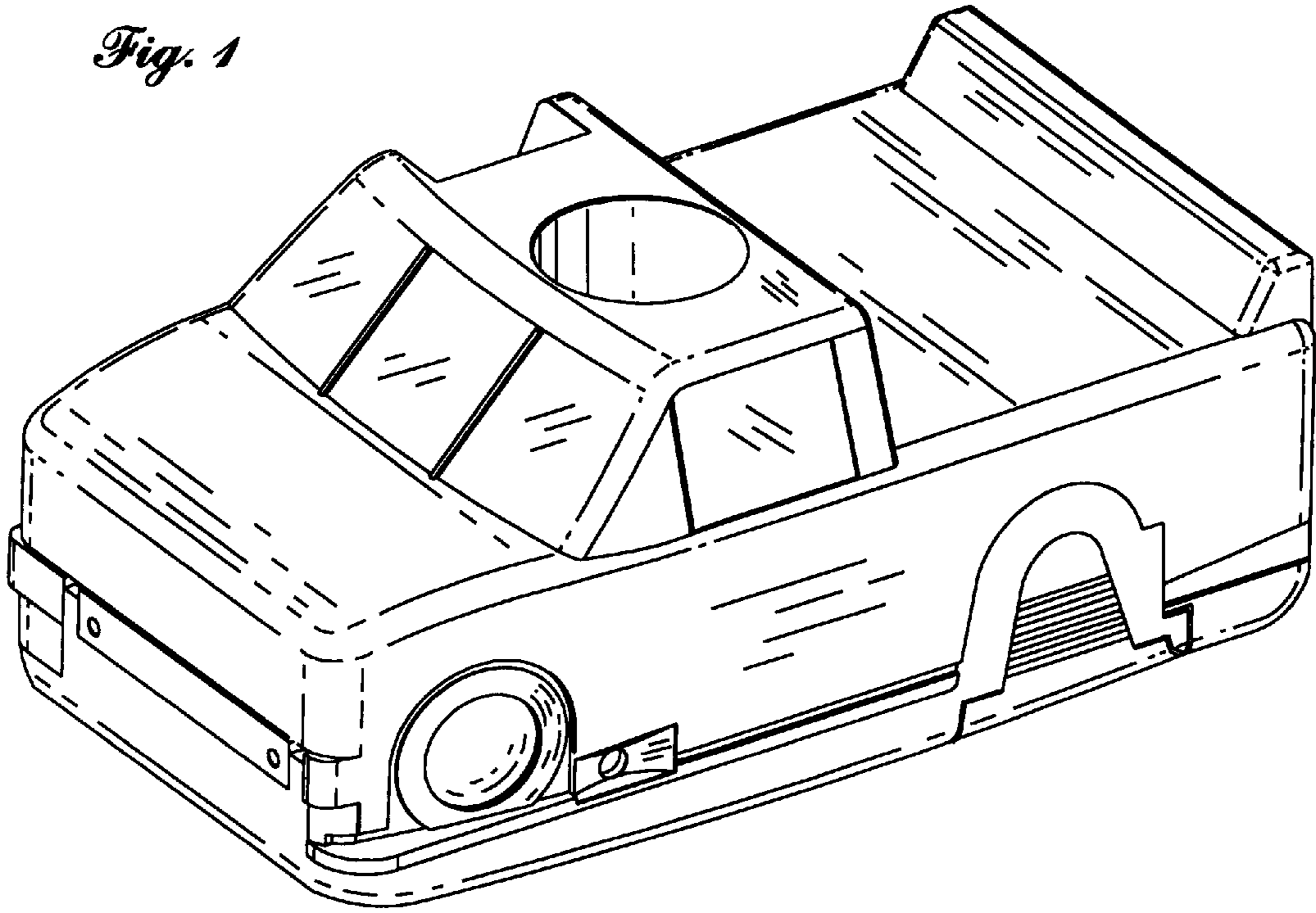
FIG. 6 is a top view of the camera in the shape of a pickup truck; and,

FIG. 7 is a rear view of the camera in the shape of a pickup truck.

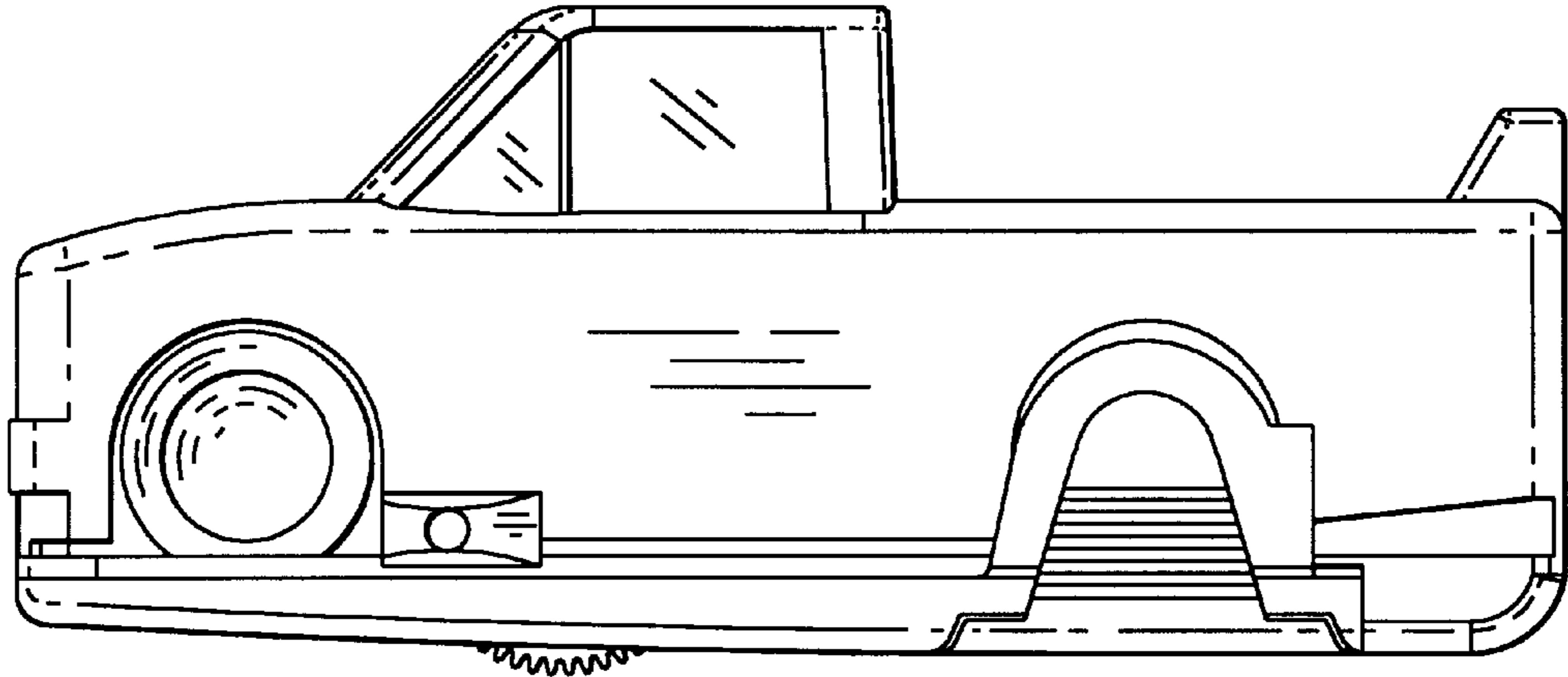
**1 Claim, 3 Drawing Sheets**



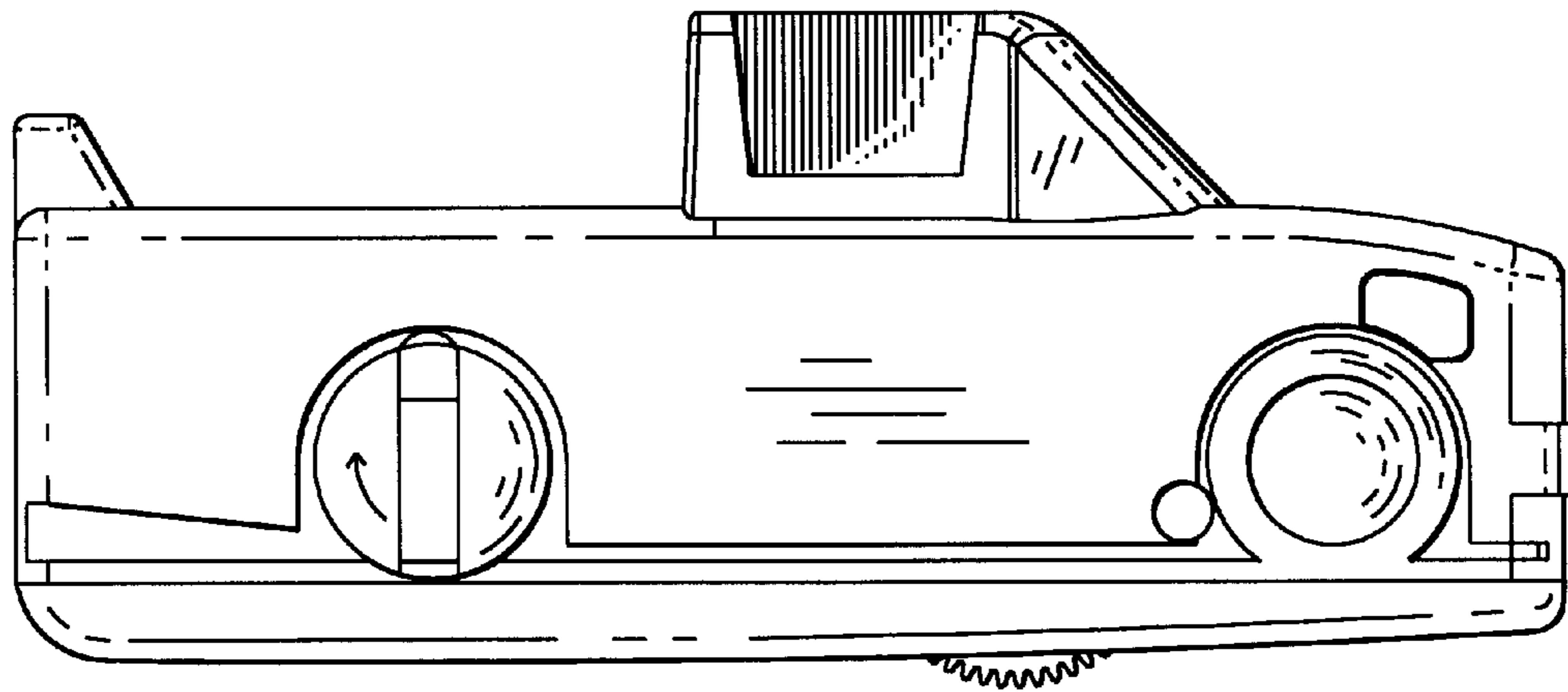
*Fig. 1*



*Fig. 2*

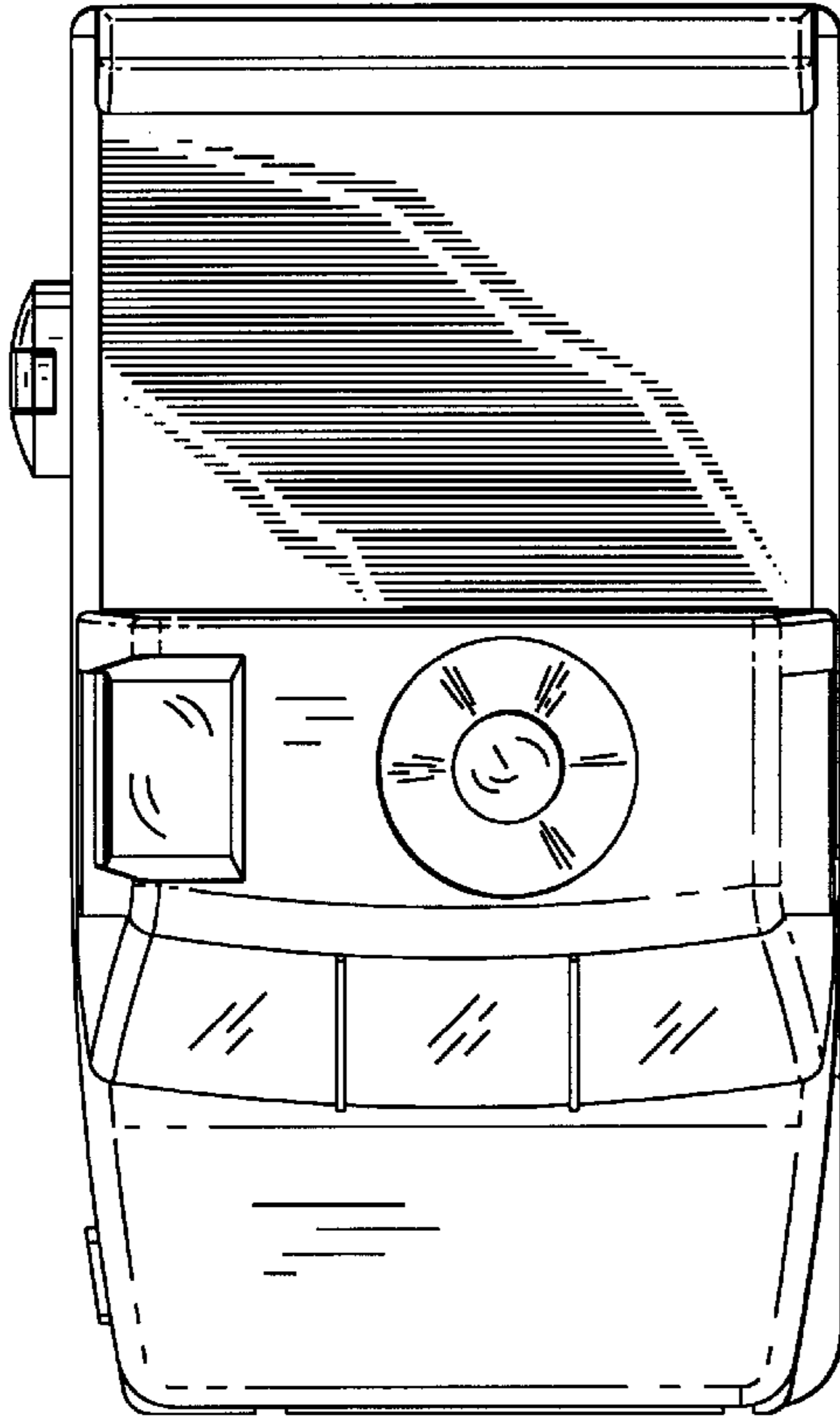


*Fig. 3*

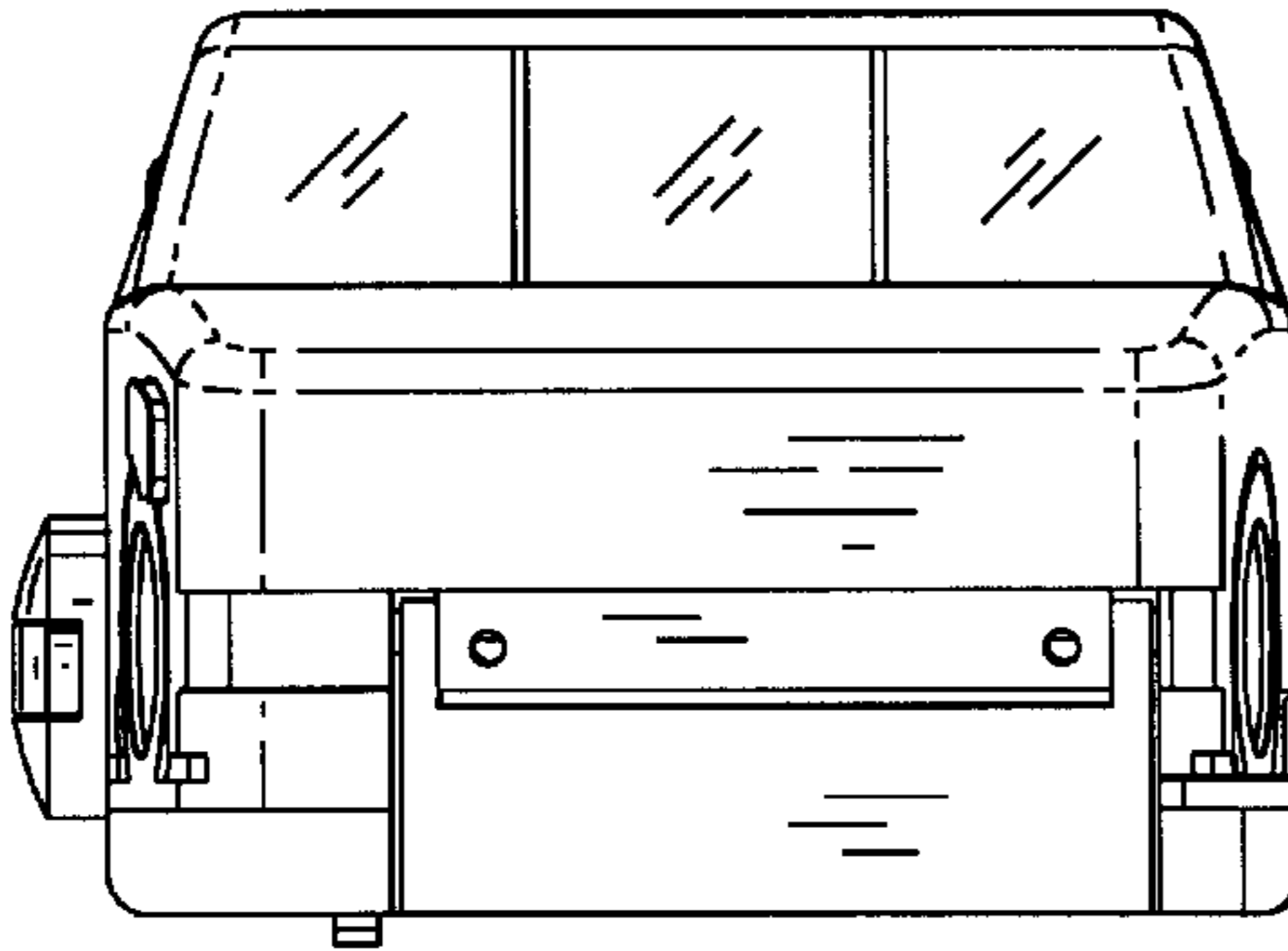


*Fig. 4*

*Fig. 6*



*Fig. 5*



*Fig. 7*

