



US00D424590S

United States Patent [19]
Hashimoto

[11] **Patent Number: Des. 424,590**

[45] **Date of Patent: ** May 9, 2000**

[54] **BINOCULARS**

[75] Inventor: **Nobuo Hashimoto**, Kawasaki, Japan

[73] Assignee: **Nikon Corporation**, Tokyo, Japan

[**] Term: **14 Years**

[21] Appl. No.: **29/106,316**

[22] Filed: **Jun. 15, 1999**

[30] **Foreign Application Priority Data**

Dec. 21, 1998 [JP] Japan 10-36855

[51] **LOC (7) Cl.** **16-06**

[52] **U.S. Cl.** **D16/133**

[58] **Field of Search** D16/130, 132,
D16/133; 359/405, 407, 409, 411, 412,
413, 415, 417, 418, 420, 804, 809

[56] **References Cited**

U.S. PATENT DOCUMENTS

- D. 306,606 3/1990 Yamanaka et al. D16/133
- D. 359,972 7/1995 Takahashi D16/133
- D. 360,215 7/1995 Moro et al. D16/133
- D. 364,631 11/1995 Hamamura D16/133

- D. 376,167 12/1996 Hayamizu D16/133
- D. 394,666 5/1998 Ono D16/133
- D. 412,177 7/1999 Fujii D16/133
- D. 413,131 8/1999 Koinuma D16/133
- 5,074,652 12/1991 Addy 359/414 X
- 5,583,692 12/1996 Funatsu 359/407 X

Primary Examiner—Paula A. Mortimer
Attorney, Agent, or Firm—Oliff & Berridge, PLC

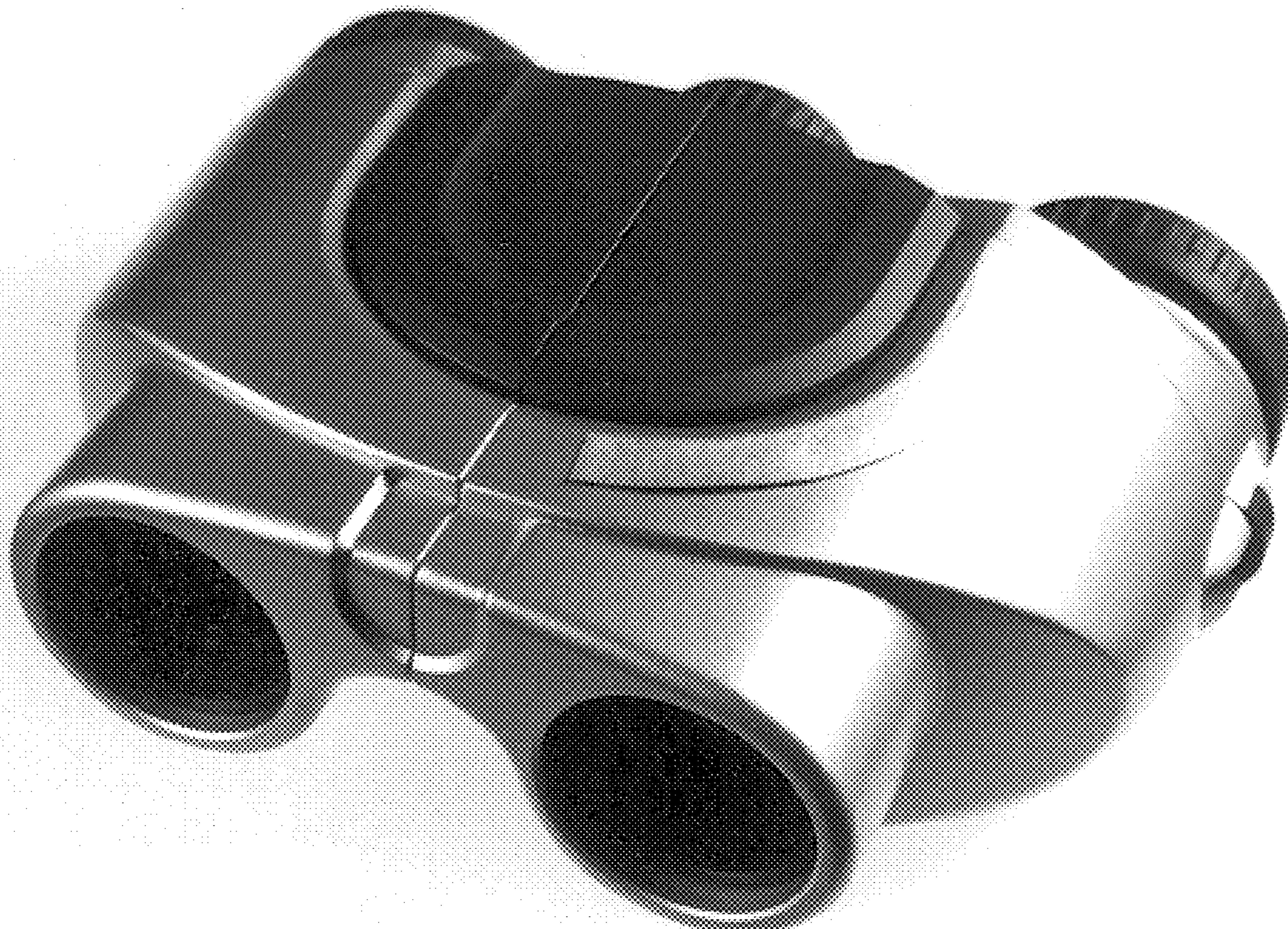
[57] **CLAIM**

The ornamental design for binoculars, as shown and described.

DESCRIPTION

FIG. 1 is a front elevational view of binoculars showing my new design;
FIG. 2 is a left side elevational view thereof;
FIG. 3 is a rear elevational view thereof;
FIG. 4 is a right side elevational view thereof;
FIG. 5 is a top plan view thereof;
FIG. 6 is a bottom plan view thereof;
FIG. 7 is a front perspective view thereof; and,
FIG. 8 is a front perspective view of the binocular in a collapsed position.

1 Claim, 4 Drawing Sheets



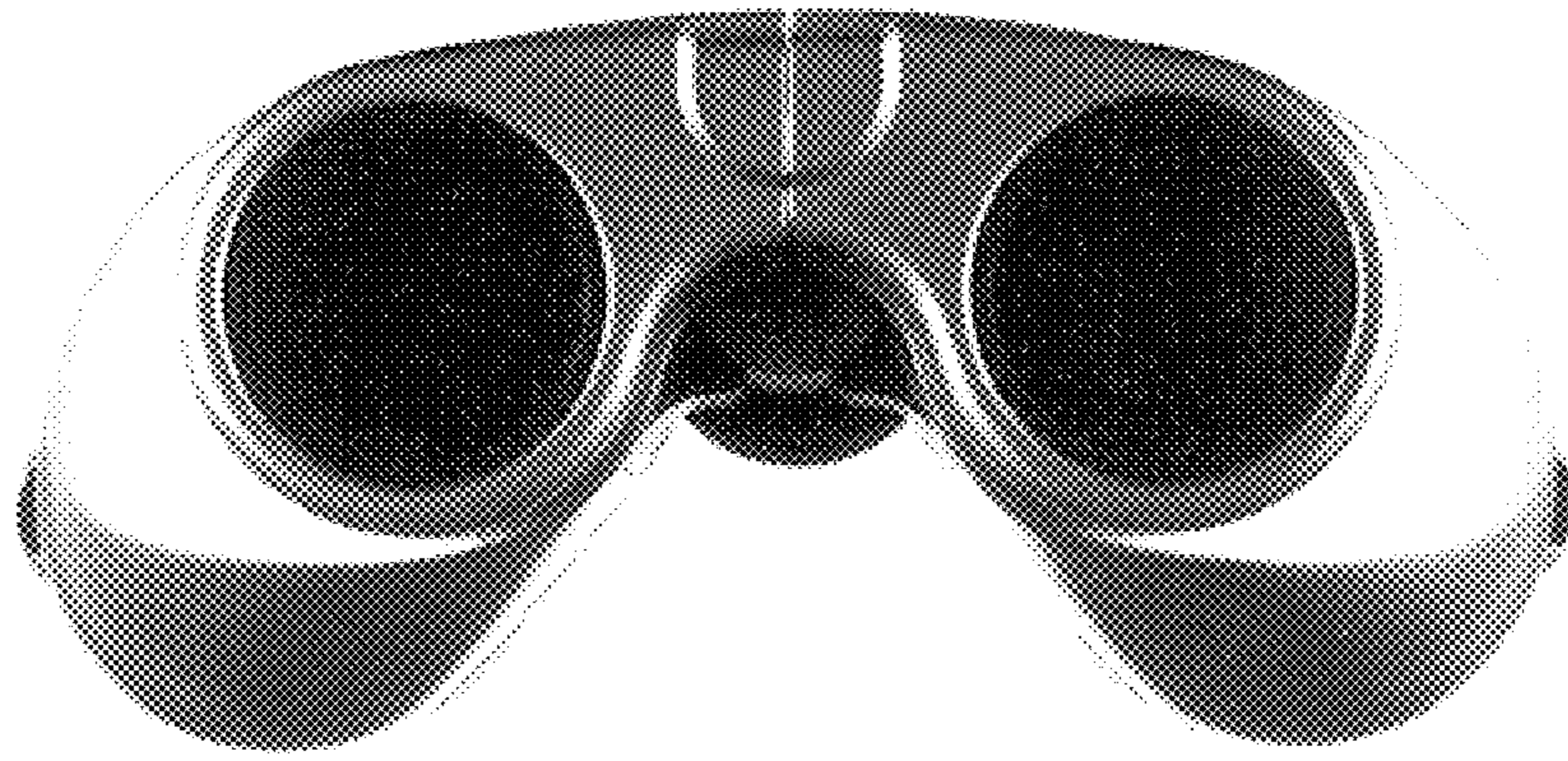


FIG. 1

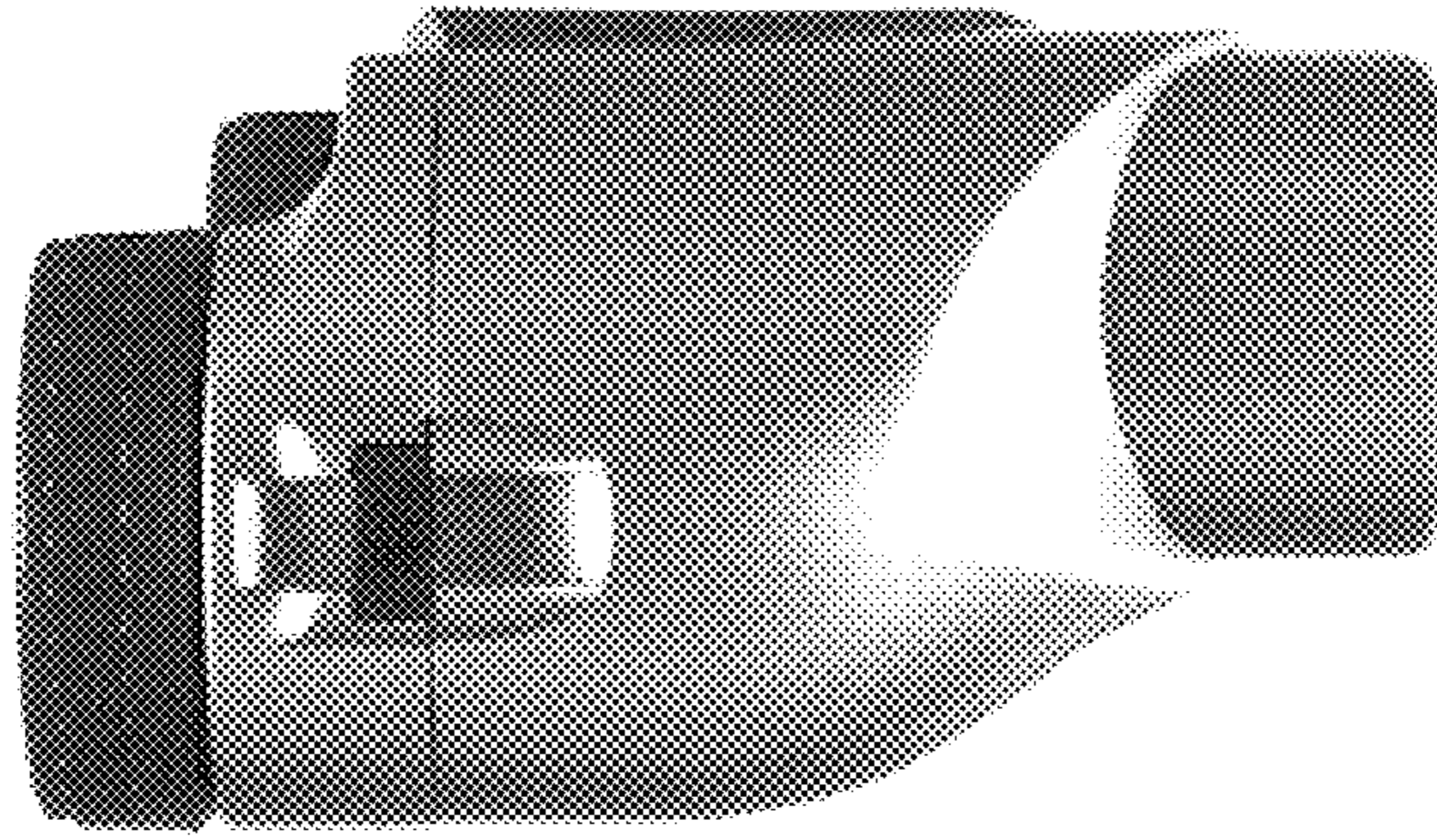


FIG. 2

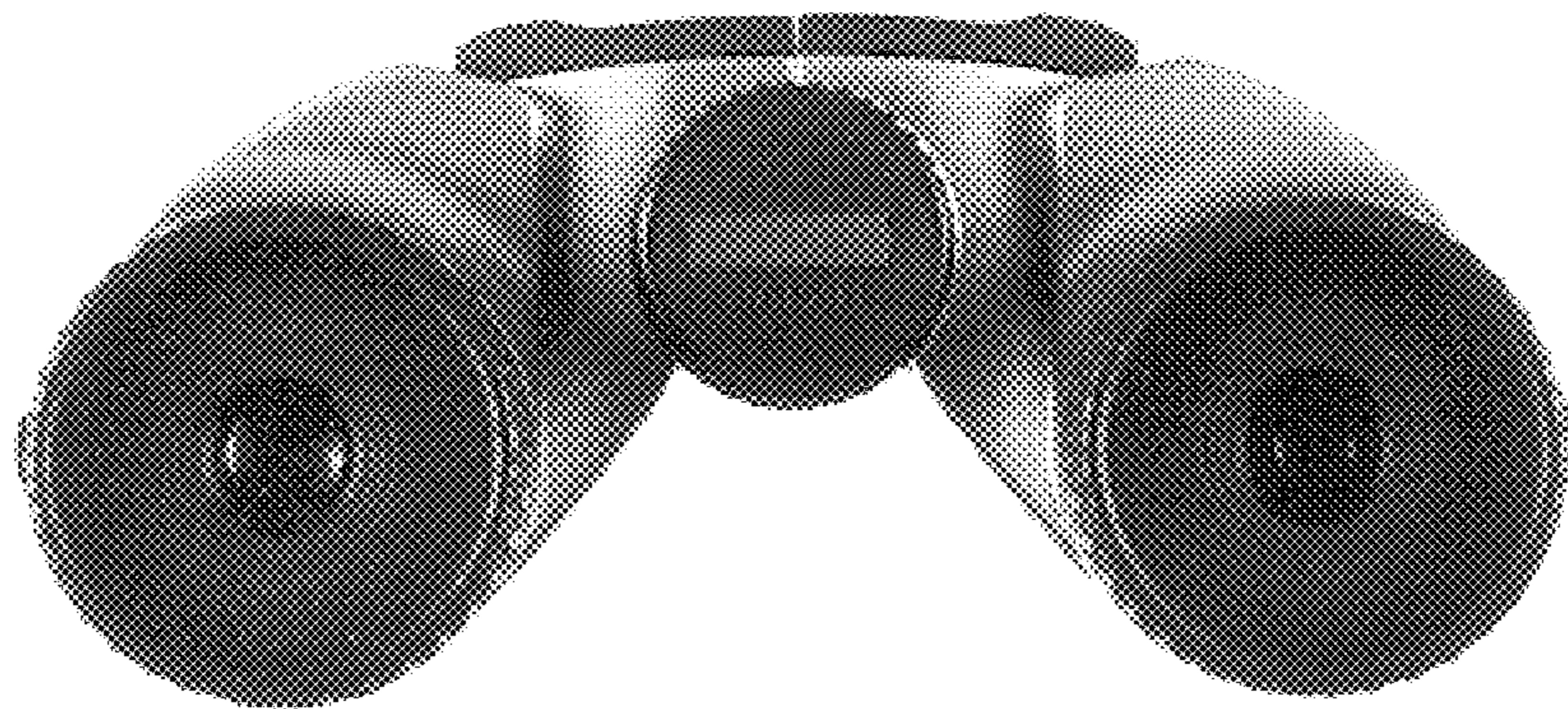


FIG. 3

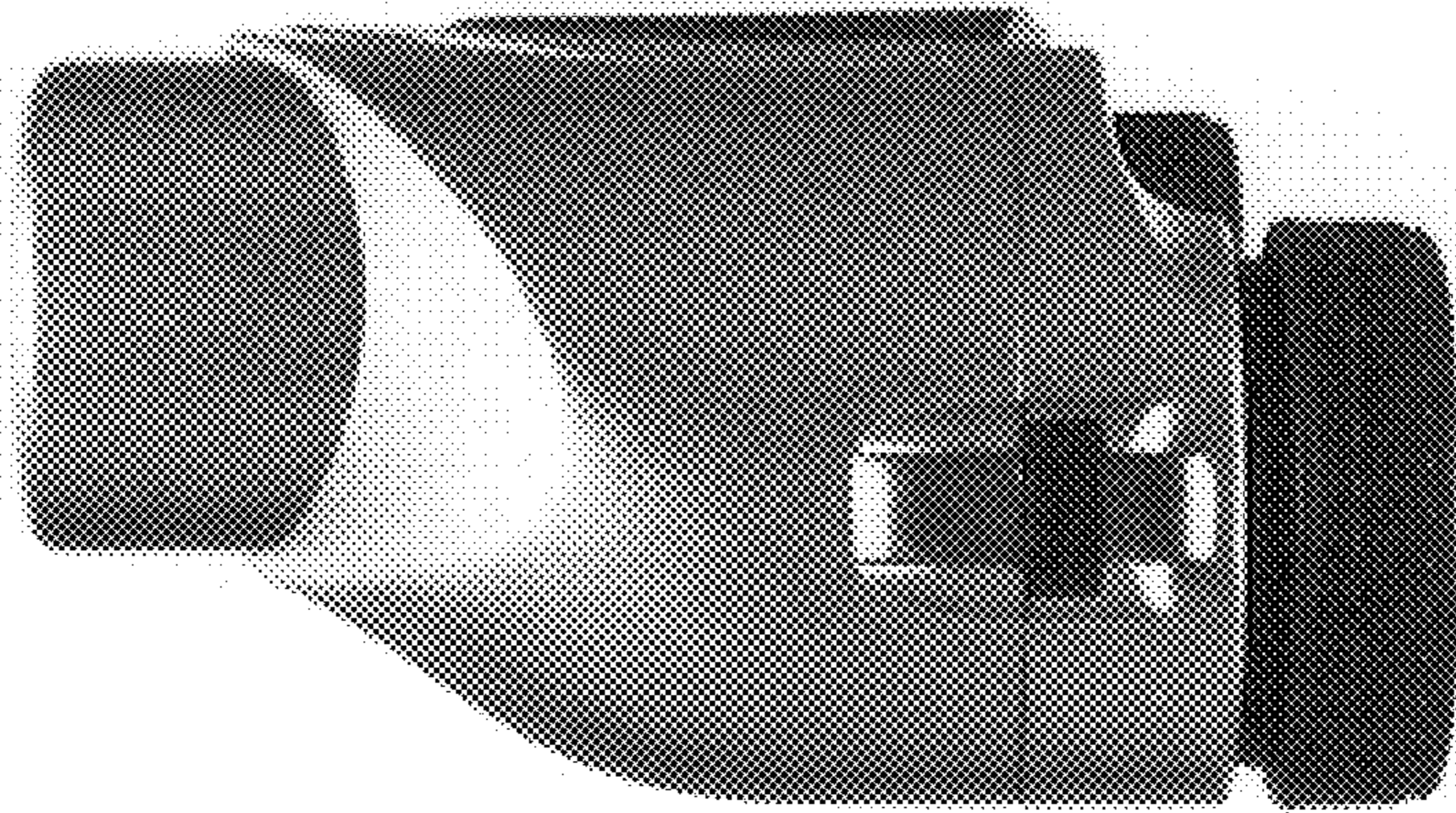


FIG. 4

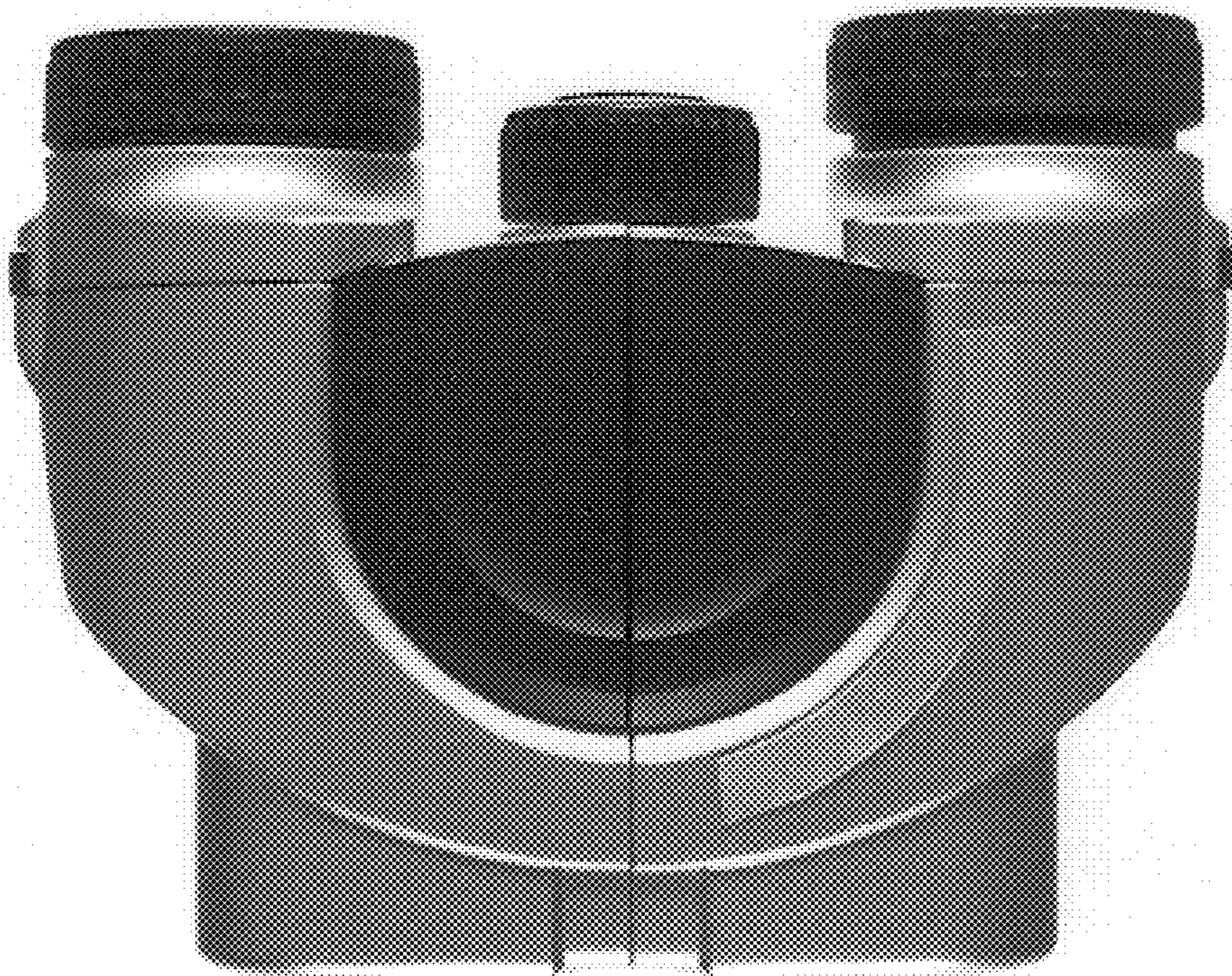


FIG. 5

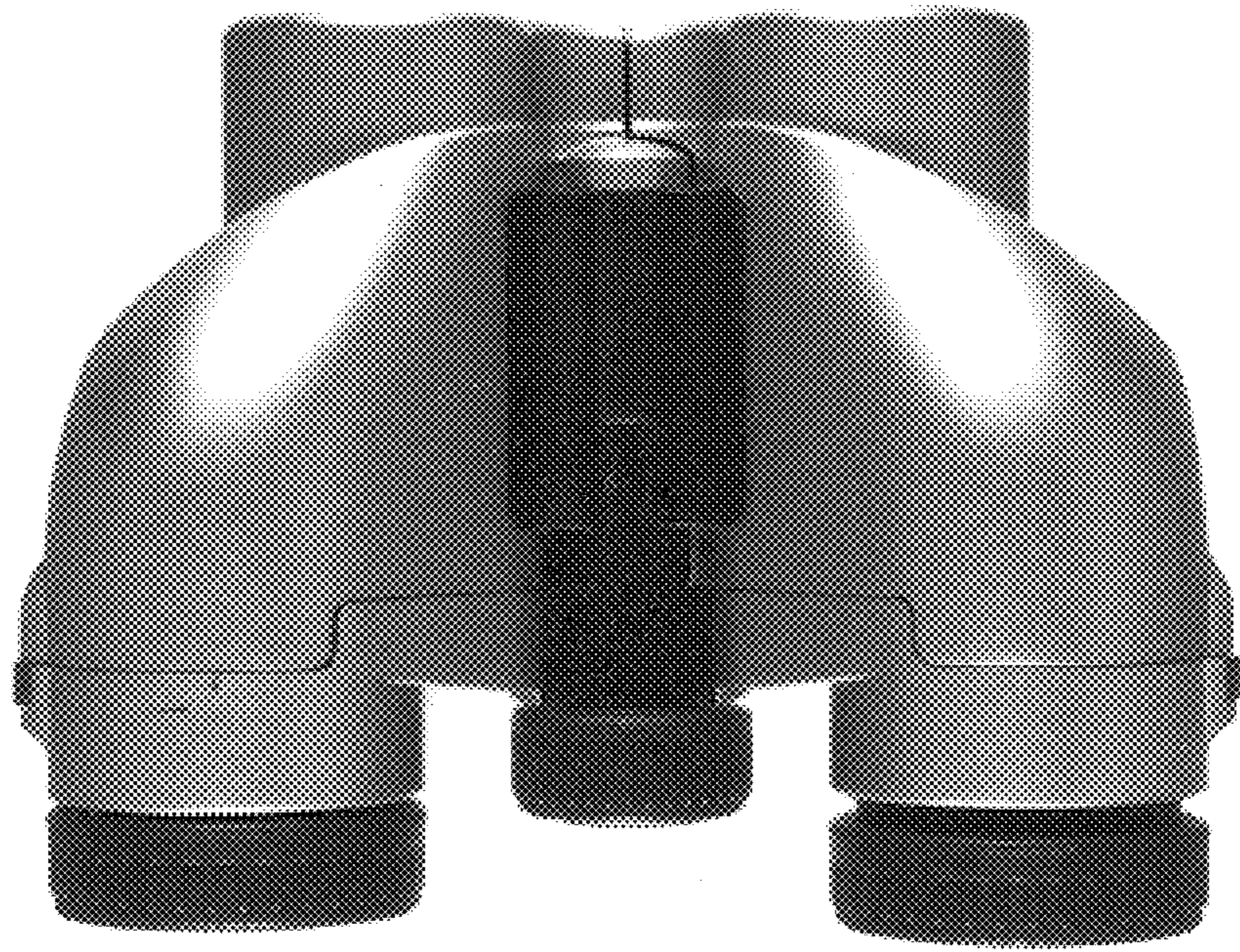


FIG. 6

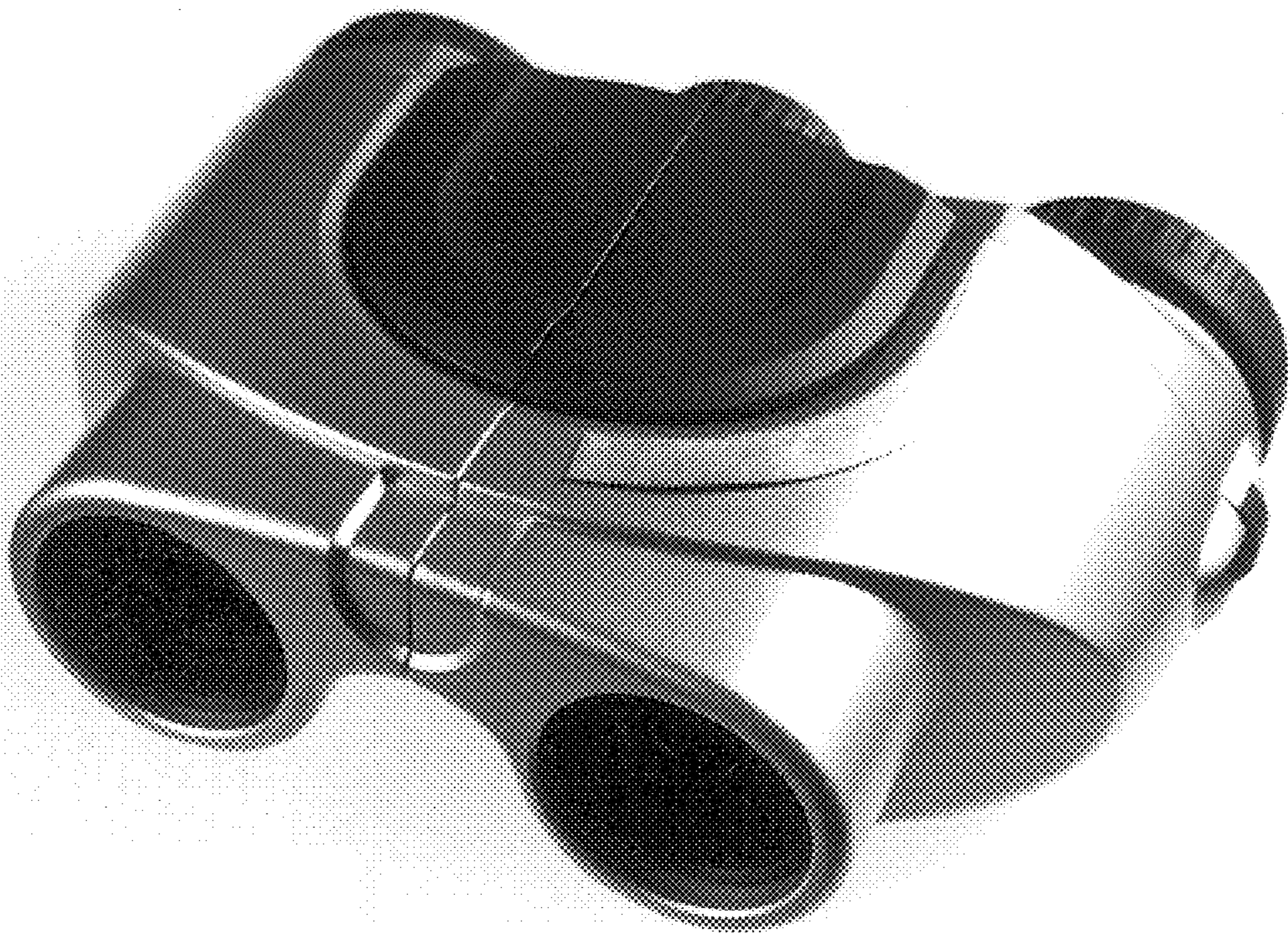


FIG. 7

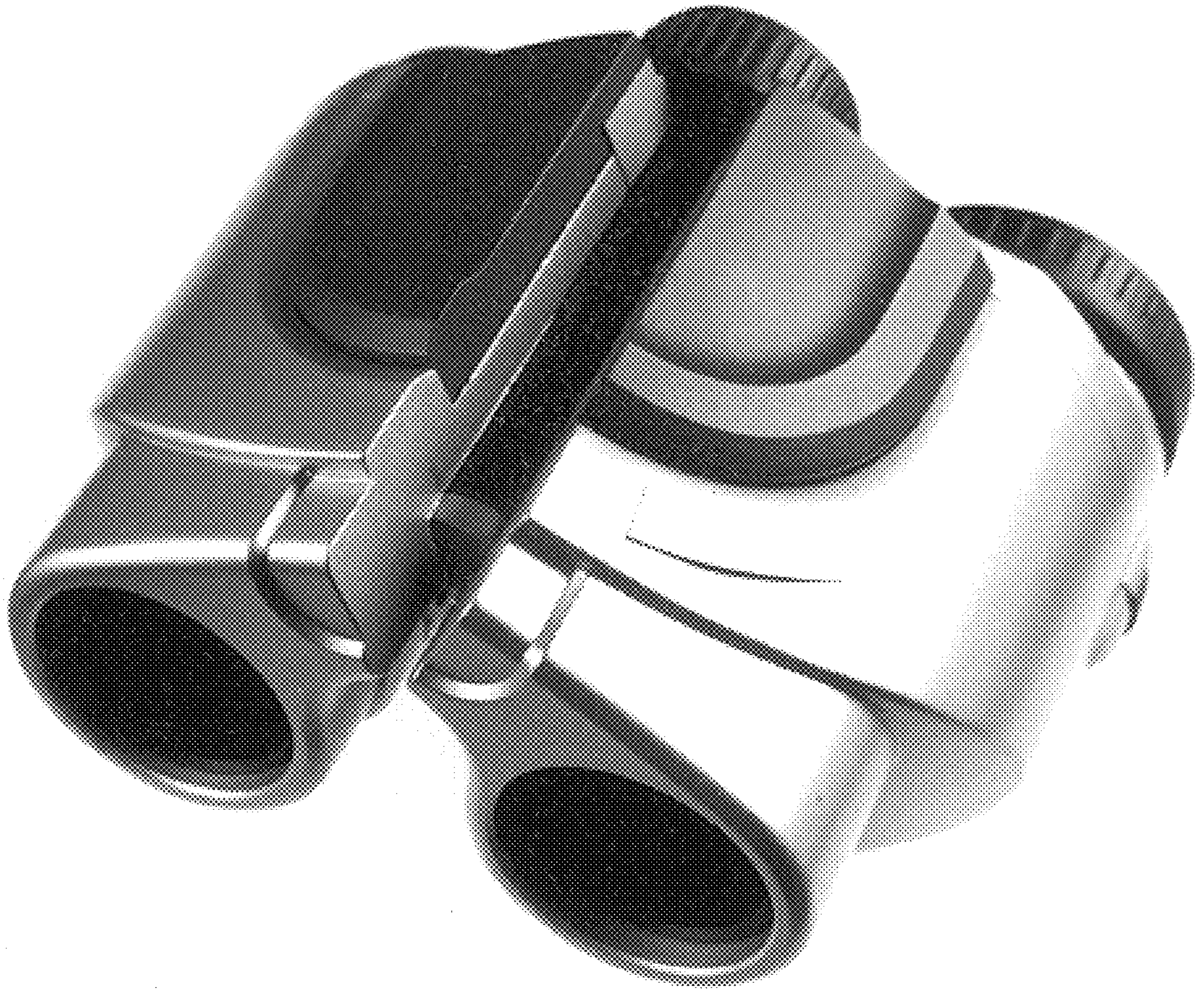


FIG. 8