



US00D424588S

United States Patent [19]

[11] Patent Number: Des. 424,588

Abed et al.

[45] Date of Patent: ** May 9, 2000

[54] SOLDERING AND DESOLDERING TOOL

[75] Inventors: Tark Abed, Palo Alto; Shawn Hanna, Woodside, both of Calif.

[73] Assignee: Metcal, Inc., Menlo Park, Calif.

[**] Term: 14 Years

[21] Appl. No.: 29/100,985

[22] Filed: Feb. 22, 1999

[51] LOC (7) Cl. 15-09

[52] U.S. Cl. D15/199; D15/144.2

[58] Field of Search D15/144.1, 144.2, D15/144.3, 199; 219/221, 227, 240, 242, 520, 522, 523; 228/6.2, 8, 9, 20, 37, 47, 56.1, 56.5, 49.1, 264; 81/448

[56] **References Cited**

U.S. PATENT DOCUMENTS

D. 282,077	1/1986	Abe et al.	D15/199
D. 293,324	12/1987	Goutou et al.	D15/199
D. 410,660	6/1999	Kawaguchi	D15/199
4,230,250	10/1980	Scheu, Jr. .	
4,289,953	9/1981	Scheu, Jr. .	
4,569,473	2/1986	Guiliano .	
4,659,004	4/1987	Fridman .	
4,752,025	6/1988	Stach et al. .	

4,767,047	8/1988	Todd et al. .
4,799,617	1/1989	Friedman .
4,832,249	5/1989	Ehler .
5,340,011	8/1994	Sanchez .
5,419,481	5/1995	Lasto et al. .
5,560,531	10/1996	Ruszowski .
5,598,965	2/1997	Scheu .

Primary Examiner—Antoine Duval Davis
Attorney, Agent, or Firm—Burns, Doane, Swecker & Mathis, L.L.P.

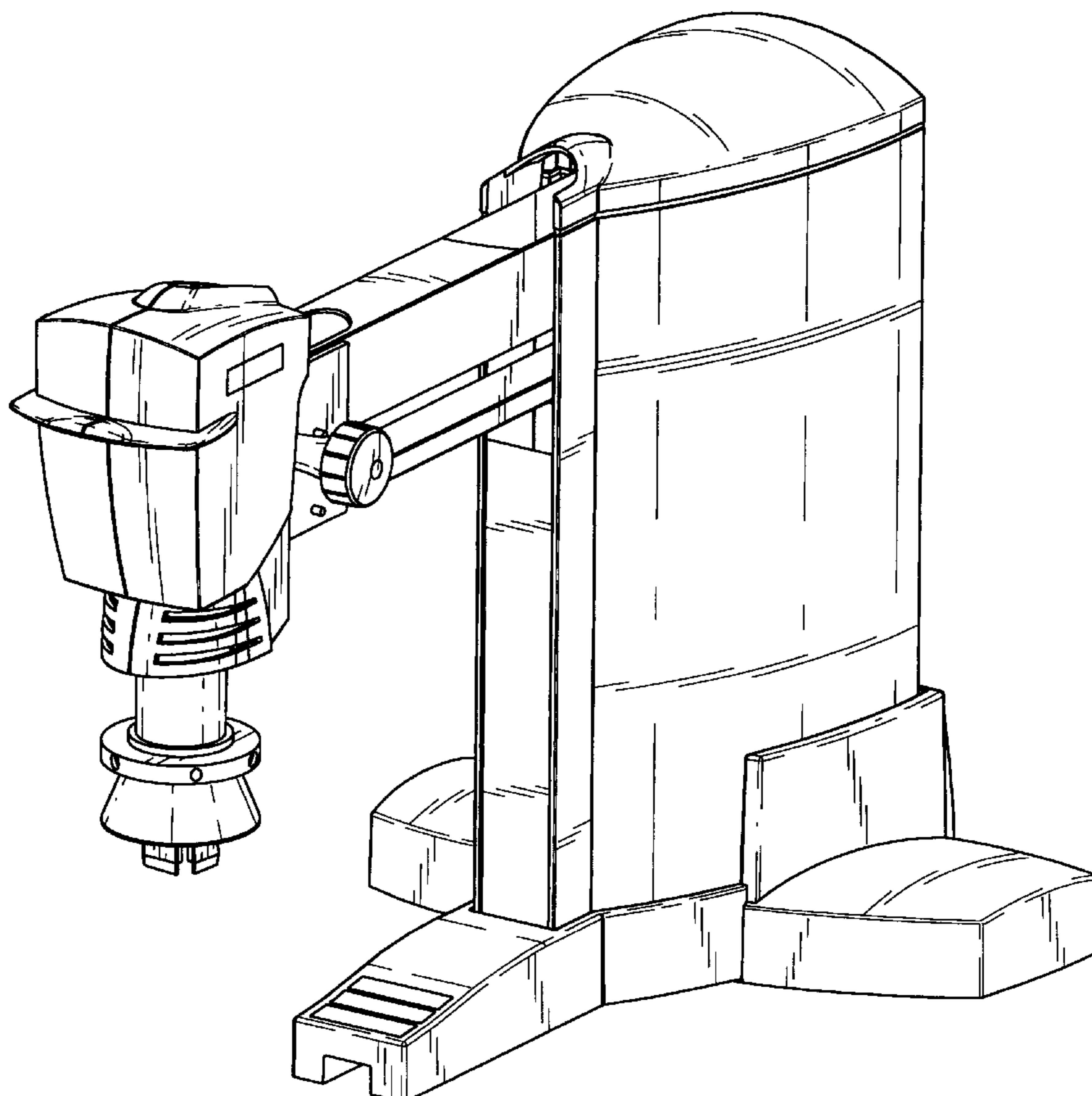
[57] **CLAIM**

The ornamental design for a soldering and desoldering tool, as shown and described.

DESCRIPTION

FIG. 1 is a perspective view of the soldering and desoldering tool with the arm in a lowered positioned;
FIG. 2 is a right side view thereof;
FIG. 3 is a left side view thereof;
FIG. 4 is a bottom view thereof;
FIG. 5 is a top view thereof;
FIG. 6 is a front view thereof;
FIG. 7 is a rear view thereof; and,
FIG. 8 is a perspective view of the soldering and desoldering tool with the arm in a raised position.

1 Claim, 5 Drawing Sheets



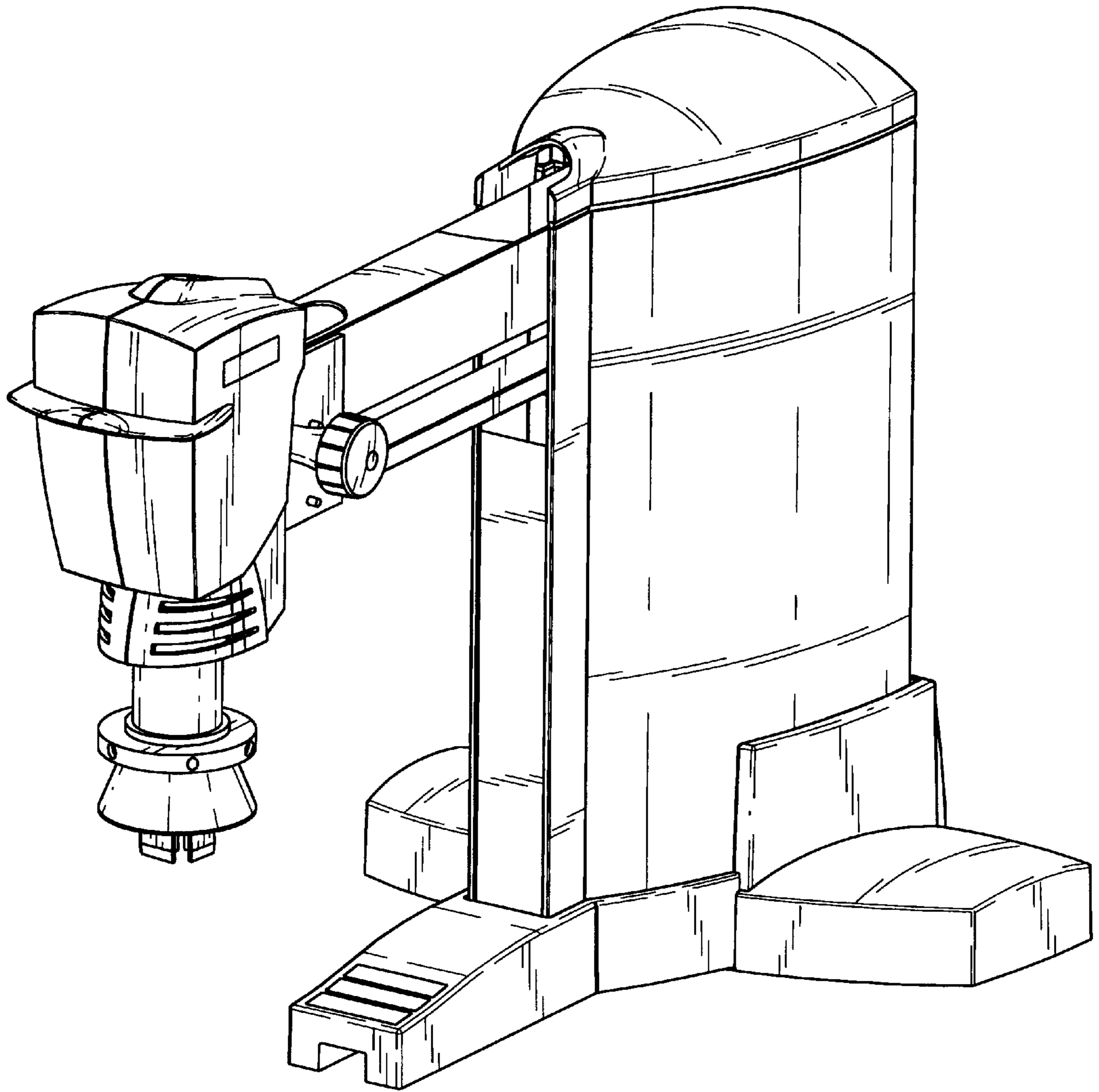


FIG. 1

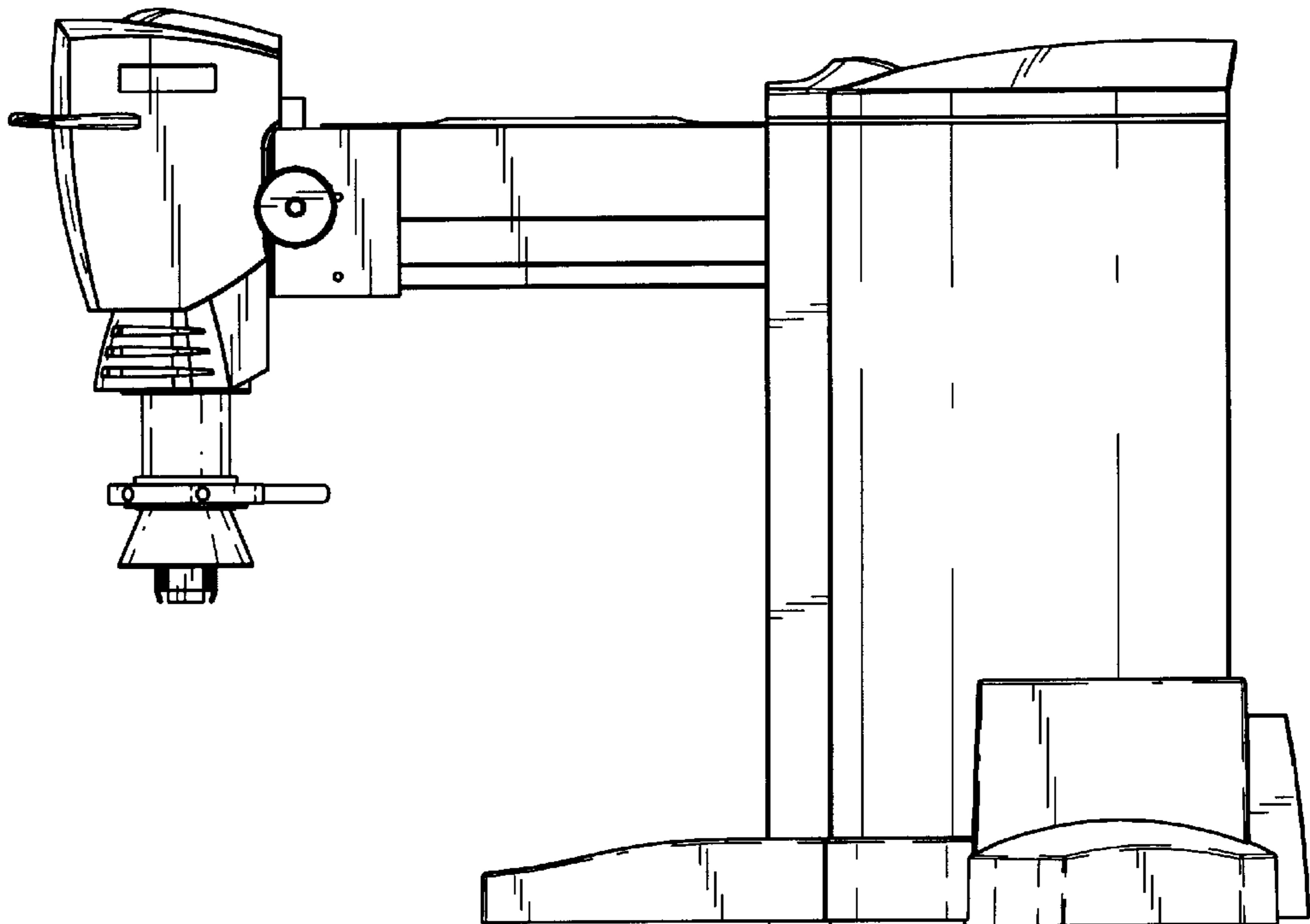


FIG. 2

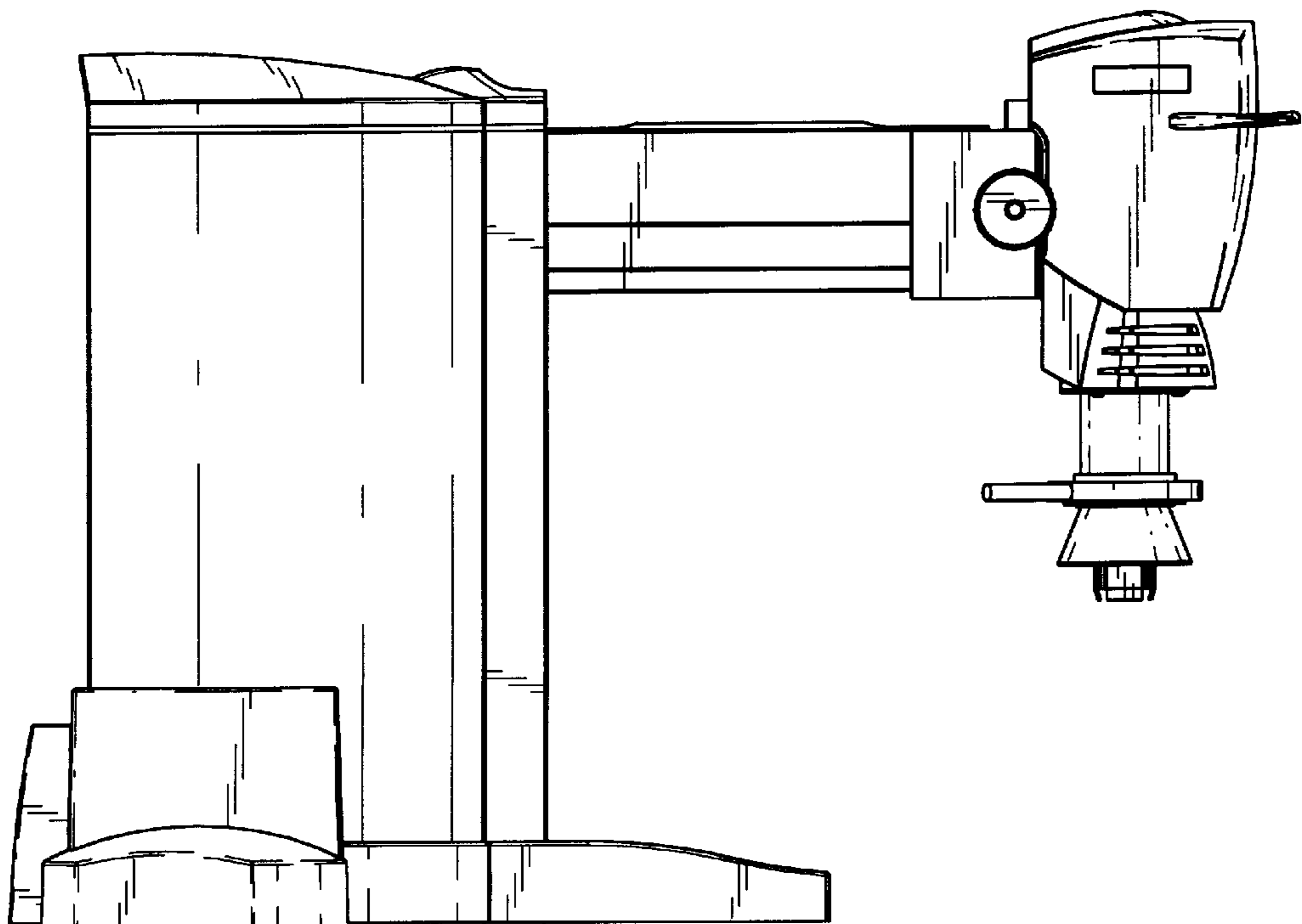


FIG. 3

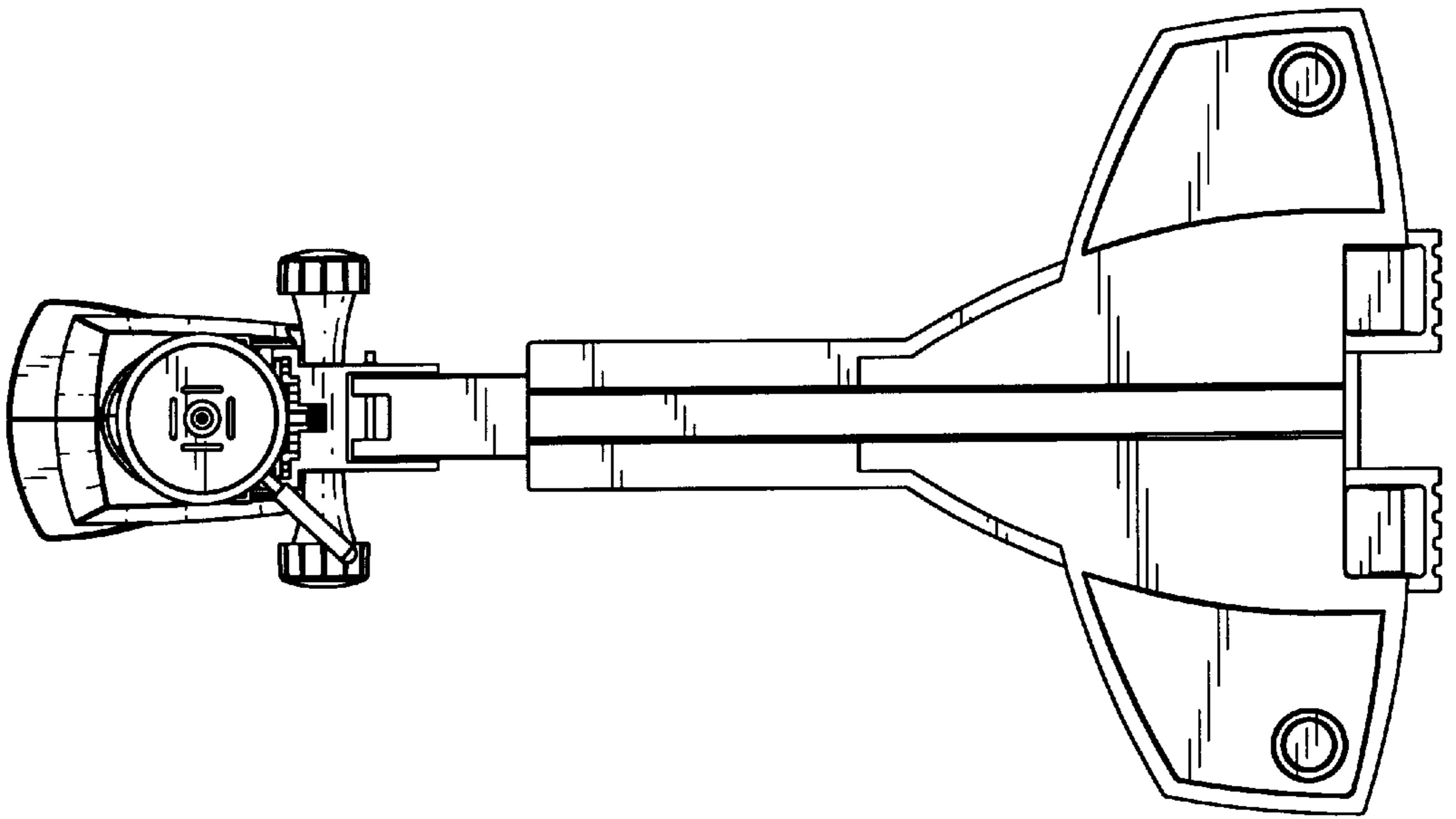


FIG. 4

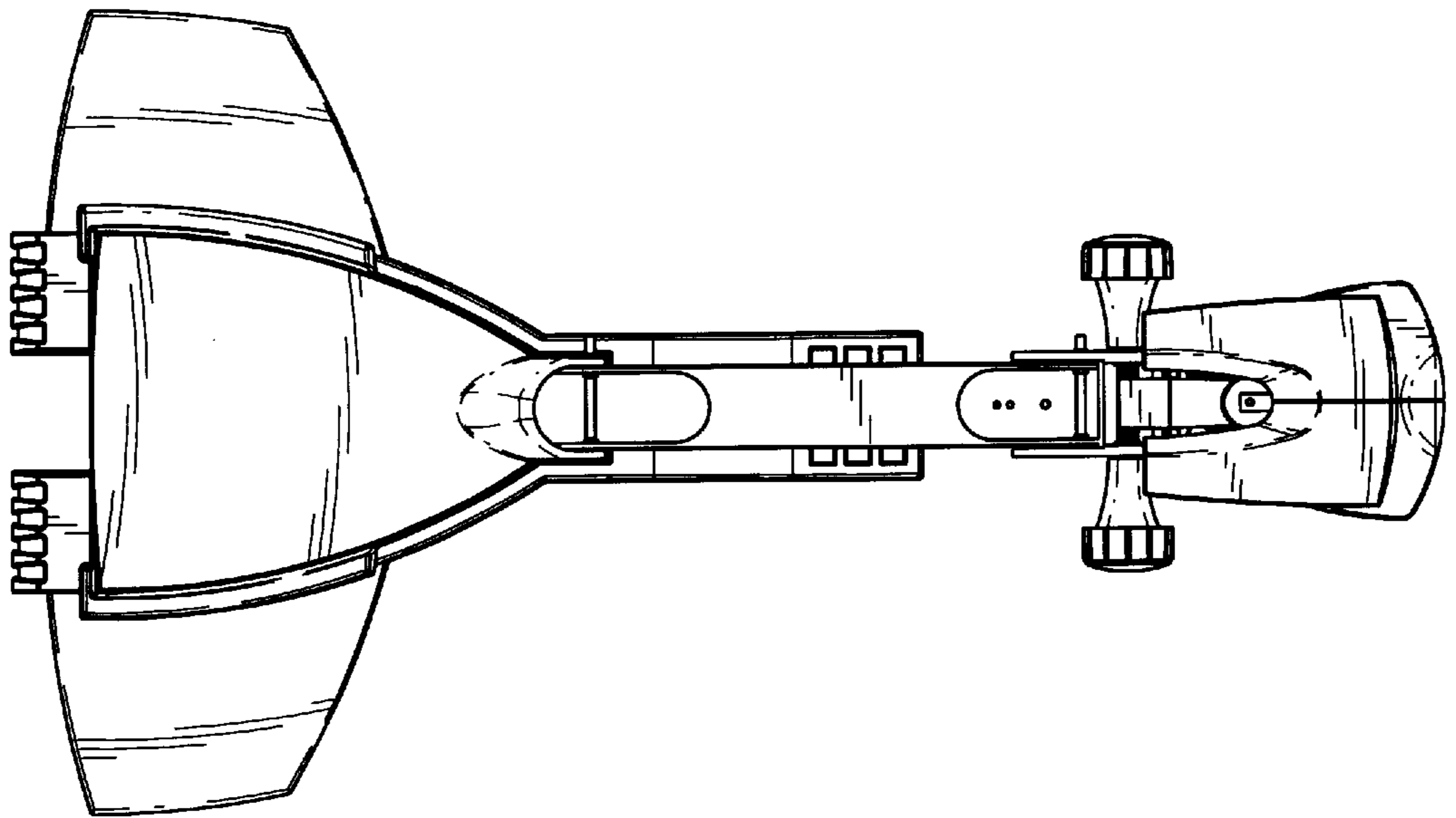


FIG. 5

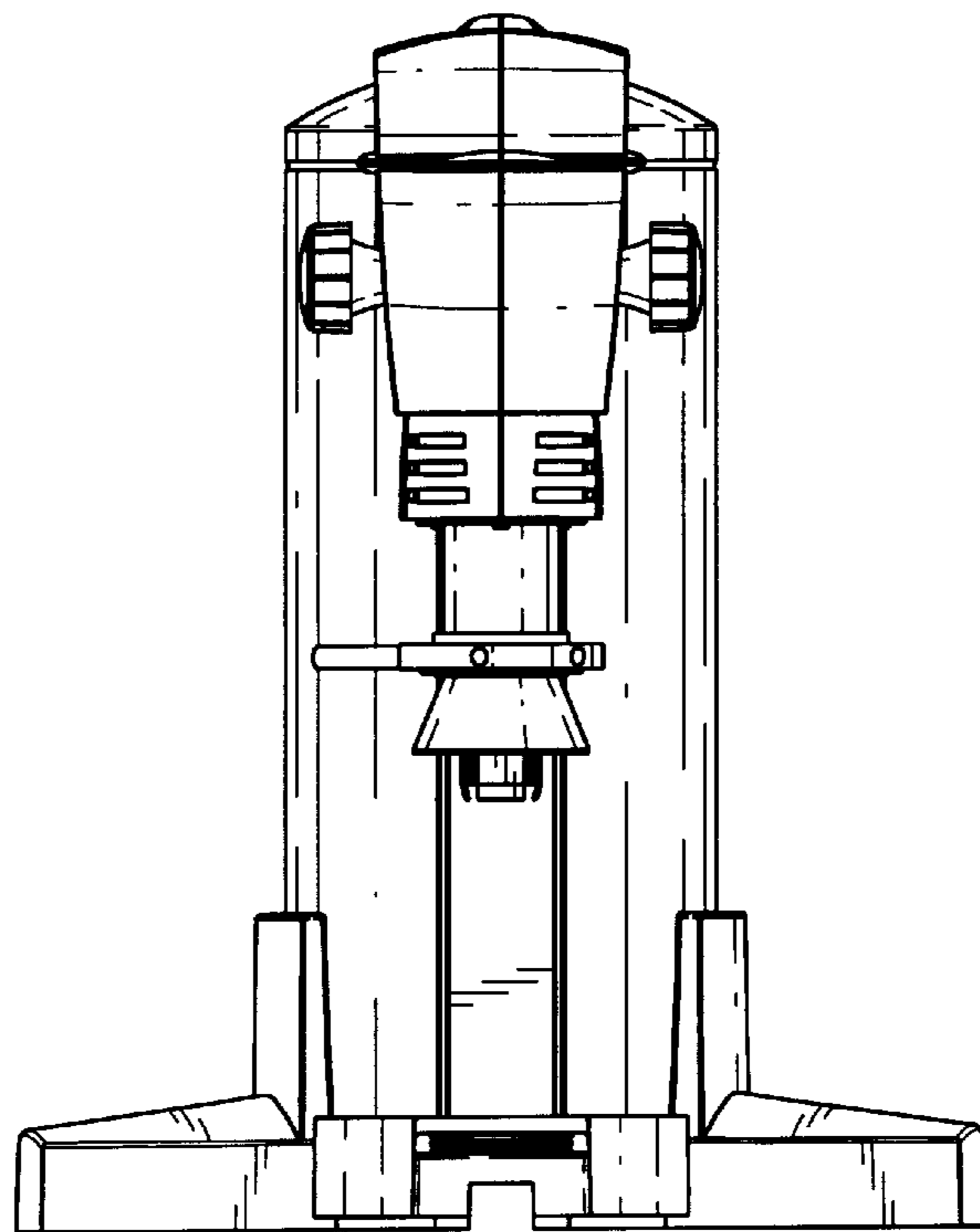


FIG. 6

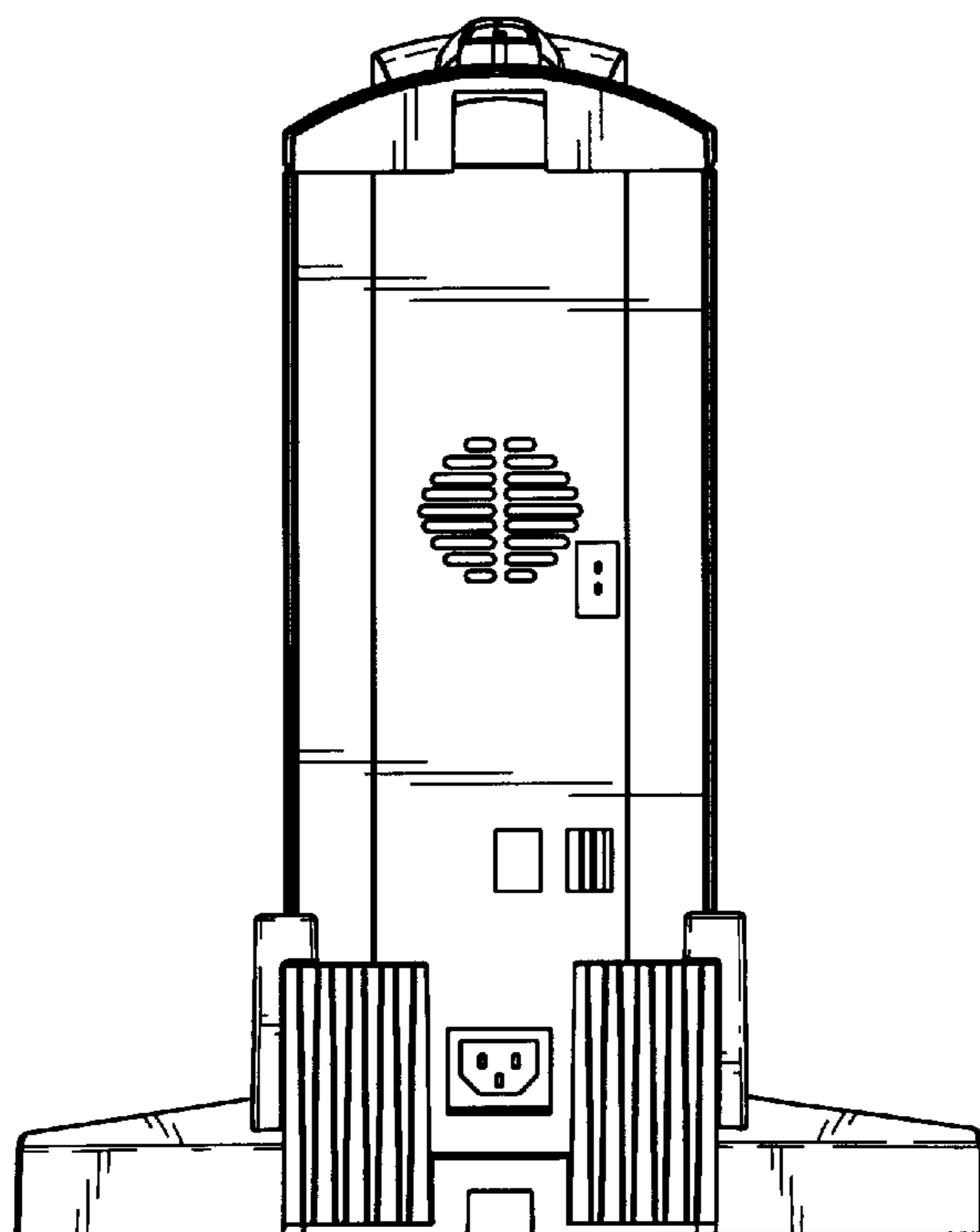


FIG. 7

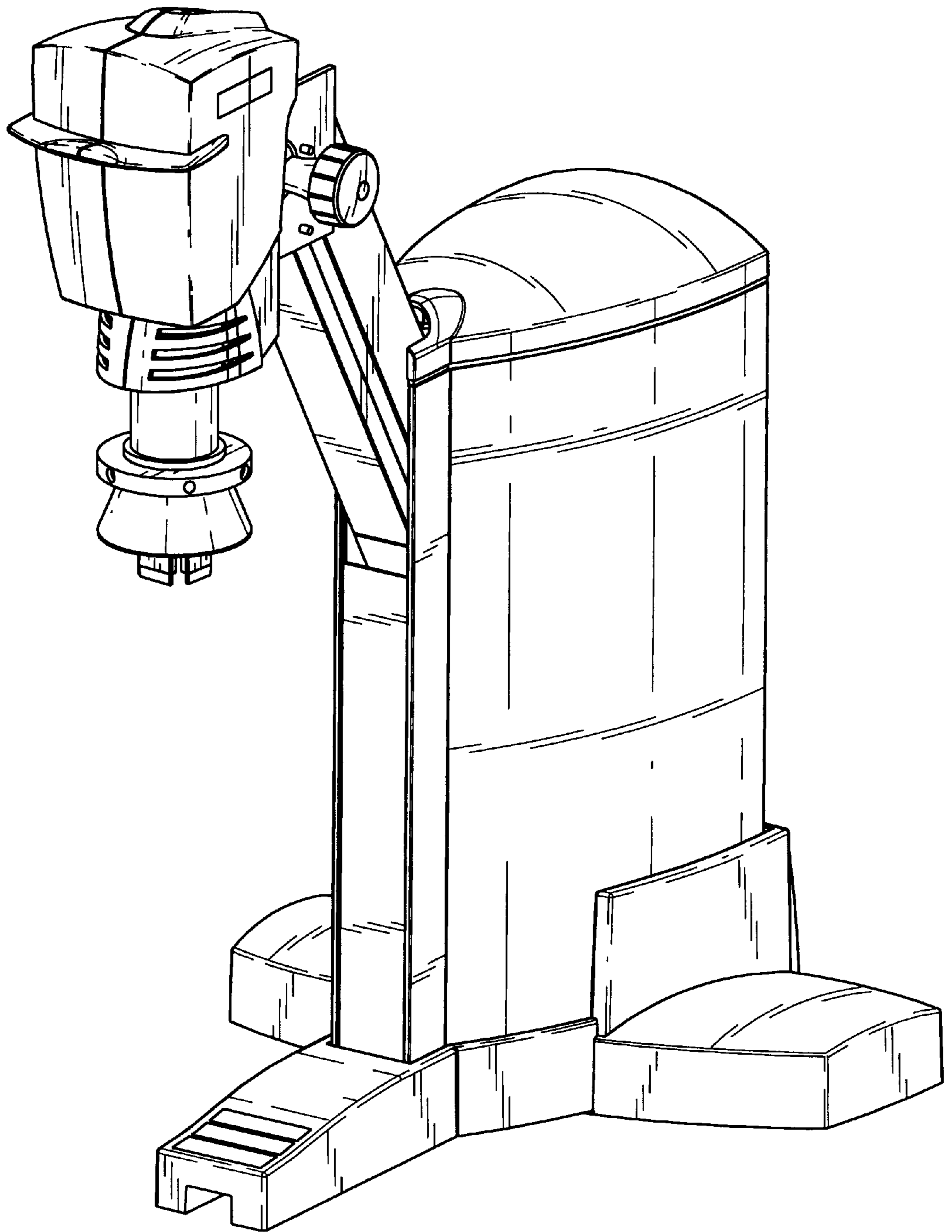


FIG. 8