



US00D424587S

United States Patent [19]
Maguire

[11] **Patent Number: Des. 424,587**
[45] **Date of Patent: ** May 9, 2000**

[54] **GRAVIMETRIC BLENDER**

Sheet of 1 photograph of Hydracolor gravimetric blender, circa 1993.

[76] Inventor: **Stephen B. Maguire**, 1549 E. Street Rd., Glen Mills, Pa. 19342

(List continued on next page.)

[**] Term: **14 Years**

Primary Examiner—Antoine Duval Davis
Attorney, Agent, or Firm—Charles N. Quinn

[21] Appl. No.: **29/071,503**

[57] **CLAIM**

[22] Filed: **May 30, 1997**

The ornamental design for a gravimetric blender, as shown and described.

Related U.S. Application Data

DESCRIPTION

[60] Provisional application No. 60/032,831, Dec. 13, 1996.

[51] **LOC (7) Cl.** **15-09**

[52] **U.S. Cl.** **D15/147; D10/87**

[58] **Field of Search** D10/87; D15/147;
137/88, 7, 607, 898; 156/244.11; 177/60,
16, 145; 222/77, 239, 342; 251/129.05,
210; 364/528.04; 366/141, 153, 156, 182,
279, 186, 190, 296, 320; 428/213, 218,
500, 516; 525/240

FIG. 1 is a front elevation of a gravimetric blender manifesting the invention.

FIG. 2 is a rear elevation of the gravimetric blender illustrated in FIG. 1.

FIG. 3 is a left side (with reference to the blender positioned as shown in FIG. 1) elevation of the gravimetric blender illustrated in FIGS. 1 and 2.

FIG. 4 is a right side (with reference to the blender positioned as shown in FIG. 1) elevation of the gravimetric blender illustrated in FIGS. 1, 2 and 3.

FIG. 5 is a bottom view of the gravimetric blender illustrated in FIGS. 1, 2, 3 and 4.

FIG. 6 is a top view of the gravimetric blender illustrated in FIGS. 1, 2, 3, 4 and 5.

FIG. 7 is a top view of the gravimetric blender illustrated in FIGS. 1, 2, 3, 4, 5 and 6, but with the tops of the hoppers open and the cover removed therefrom.

FIG. 8 is a front elevation of the gravimetric blender shown in FIGS. 1 through 7, but with the hoppers removed.

FIG. 9 is a rear elevation of the gravimetric blender shown in FIGS. 1 through 8, but with the hoppers removed.

FIG. 10 is a left side elevation (with reference to the blender positioned as shown in FIG. 8) of the gravimetric blender shown in FIGS. 1 through 9, but with the hoppers removed.

FIG. 11 is a right side elevation of the gravimetric blender shown in FIGS. 1 through 10, but with the hoppers removed.

FIG. 12 is a top view of the gravimetric blender shown in FIGS. 1 through 11, but with the hoppers removed; and,

FIG. 13 is a bottom view of the gravimetric blender shown in FIGS. 1 through 12, with the hoppers removed.

[56] **References Cited**

U.S. PATENT DOCUMENTS

2,161,190 6/1939 Paull .
3,111,115 11/1963 Best .

(List continued on next page.)

FOREIGN PATENT DOCUMENTS

0318170 5/1989 European Pat. Off. .
0507689 10/1992 European Pat. Off. .

(List continued on next page.)

OTHER PUBLICATIONS

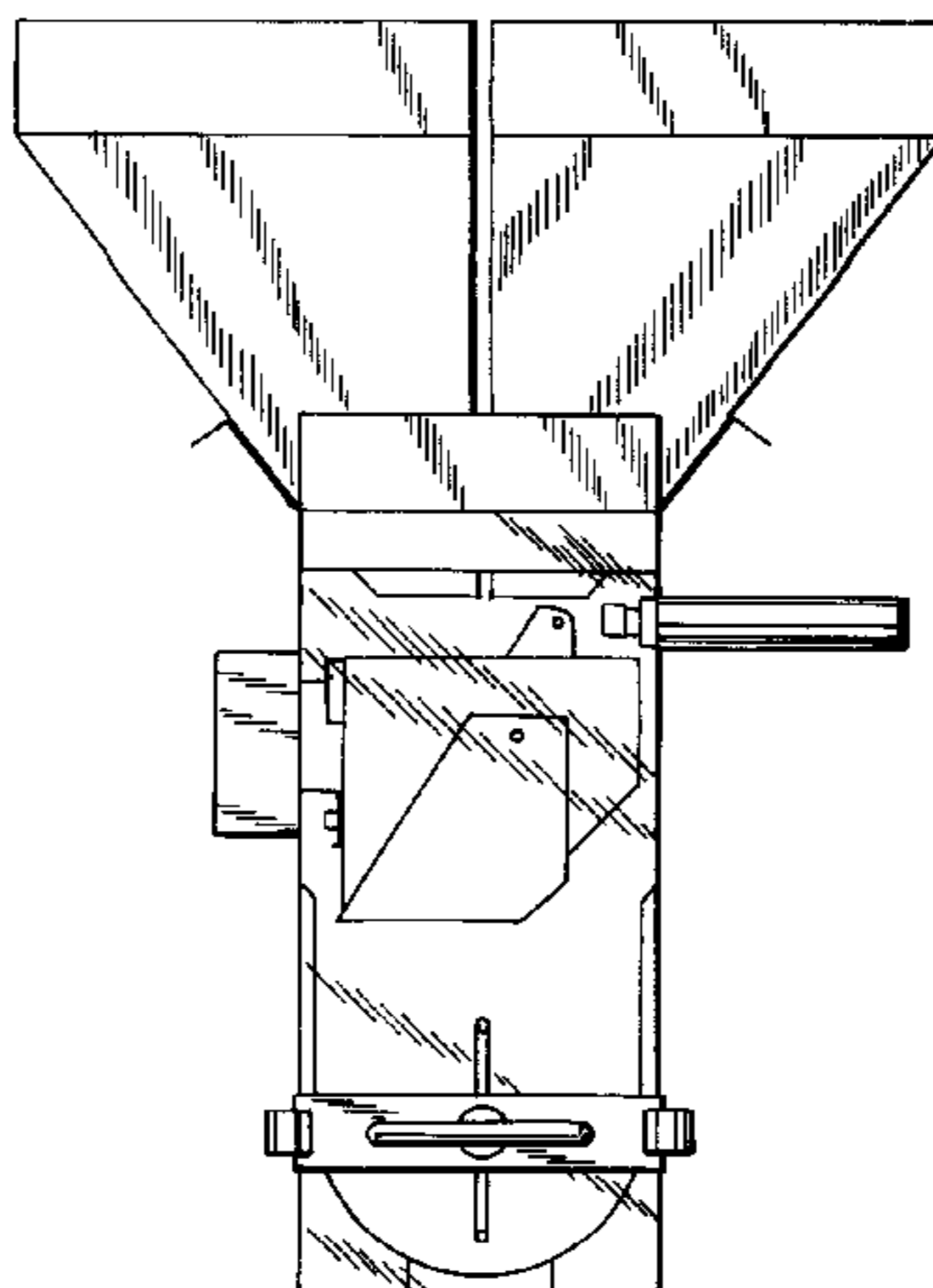
Sheet of 2 photographs of Mould-Tek gravimetric blender, circa 1993.

Sheet of 2 photographs of Motan gravimetric blender and feeding system with Maguire Products, Inc. controls, circa 1993.

Sheet of 3 photographs of UNA-DYN gravimetric blender, circa 1993.

Sheet of 2 photographs of Maguire Products, Inc. gravimetric blender with Conair hoppers and feeding system, circa 1993.

1 Claim, 3 Drawing Sheets



U.S. PATENT DOCUMENTS

3,115,276 12/1963 Johanningmeier .
 3,209,898 10/1965 Beebe et al. .
 3,348,848 10/1967 Lucking et al. .
 3,470,994 10/1969 Schnell et al. .
 3,959,636 5/1976 Johnson et al. .
 3,985,262 10/1976 Nauta .
 4,026,442 5/1977 Orton .
 4,108,334 8/1978 Moller .
 4,148,100 4/1979 Moller .
 4,219,136 8/1980 Williams et al. .
 4,354,622 10/1982 Wood .
 4,402,436 9/1983 Hellgren .
 4,454,943 6/1984 Moller .
 4,475,672 10/1984 Whitehead .
 4,498,783 2/1985 Rudolph .
 4,525,071 6/1985 Horowitz et al. .
 4,581,704 4/1986 Mitsukawa .
 4,705,083 11/1987 Rossetti .
 4,756,348 7/1988 Moller .
 4,793,711 12/1988 Ohlson .
 4,830,508 5/1989 Higuchi et al. .
 4,848,534 7/1989 Sandwall .
 4,850,703 7/1989 Hanaoka et al. .
 5,110,521 5/1992 Moller .
 5,116,547 5/1992 Tsukahara et al. .
 5,125,535 6/1992 Ohlman 222/77
 5,132,897 7/1992 Allenberg .
 5,143,166 9/1992 Hough .
 5,148,943 9/1992 Moller .
 5,172,489 12/1992 Moller .
 5,225,210 7/1993 Shimoda .
 5,252,008 10/1993 May, III et al. .
 5,261,743 11/1993 Moller .
 5,285,930 2/1994 Nielsen .
 5,340,949 8/1994 Fujimura et al. .
 5,341,961 8/1994 Hausam .
 5,423,455 6/1995 Ricciardi et al. .
 5,651,401 7/1997 Cados .
 5,767,453 6/1998 Wakou et al. .
 5,767,455 6/1998 Mosher .
 5,780,779 7/1998 Kitamura et al. .
 5,843,513 12/1998 Wilke et al. .

FOREIGN PATENT DOCUMENTS

0587085 3/1994 European Pat. Off. .
 0743149 11/1996 European Pat. Off. .
 2517087 9/1982 France .
 3541532A1 11/1985 Germany .
 3923241 1/1991 Germany .

4323295 2/1995 Germany .
 2081687 2/1982 United Kingdom .

OTHER PUBLICATIONS

Advertisement entitled "Machinery and Systems for Extrusion is Our Only Business" by Process Control Corporation, circa 1993.

Advertisement entitled "Weigh Blender Delivers Unmatched Accuracy" by Universal Dynamics, Inc., circa 1993.

Advertisement entitled "A Full Line-up of Blender Solutions . . . Priced Right!" by HydReclaim, circa 1993.

Advertisement entitled "New From HydReclaim—Now Processors Can Economically Achieve Continuous Gravimetric Blending" by HydReclaim, circa 1993.

Article entitled "Control Loading Systems" from *Plastics Technology*, Oct. 1995, p. 41.

Advertisement "Introducing our 400 VME-II Gravimetric Blender" by HydReclaim Corporation, circa 1993.

Four page brochure entitled "Gravimix Better Quality through Research", circa 1993.

Four page brochure entitled "Conomix Plus Volumetric Blender" dated Aug. 1993.

Four page brochure entitled "Conair Franklin Autocolor Y Mezclador" dated Mar. 1995.

Two-sided flyer entitled "GB 140 Series Compact Auto Weigh Blender" published by Conair Franklin in the United States, Jun., 1994.

Six page brochure entitled "Graviblend Precise Continuous Weigh Blenders" published by Ktron Vertech, Jun., 1991, United States.

Six page brochure entitled "Piovan Gravimetric Blenders MDW" published by Piovan SrL, Oct. 1993, Venezia, Italy.

One page flyer entitled "Gravimix, The New Gravimetric Blending Generation" published by Ferlin, De demsvaard, Holland, circa 1993.

Four page brochure entitled "When you Weigh it All Up . . ." published by Ferlin Trading, Holland, circa 1993.

Thirty-two page catalog entitled "Maguire Color Blending Equipment" published by Maguire Products, Inc., 1993, United States.

Two page brochure entitled "Mould-Tek Bulk Handling Systems" published by Mould-Tek Industries, Inc. in Canada, circa 1993.

Brochure entitled "Plastic Molders and Extruders: published by Maguire Products, Inc., 1995".

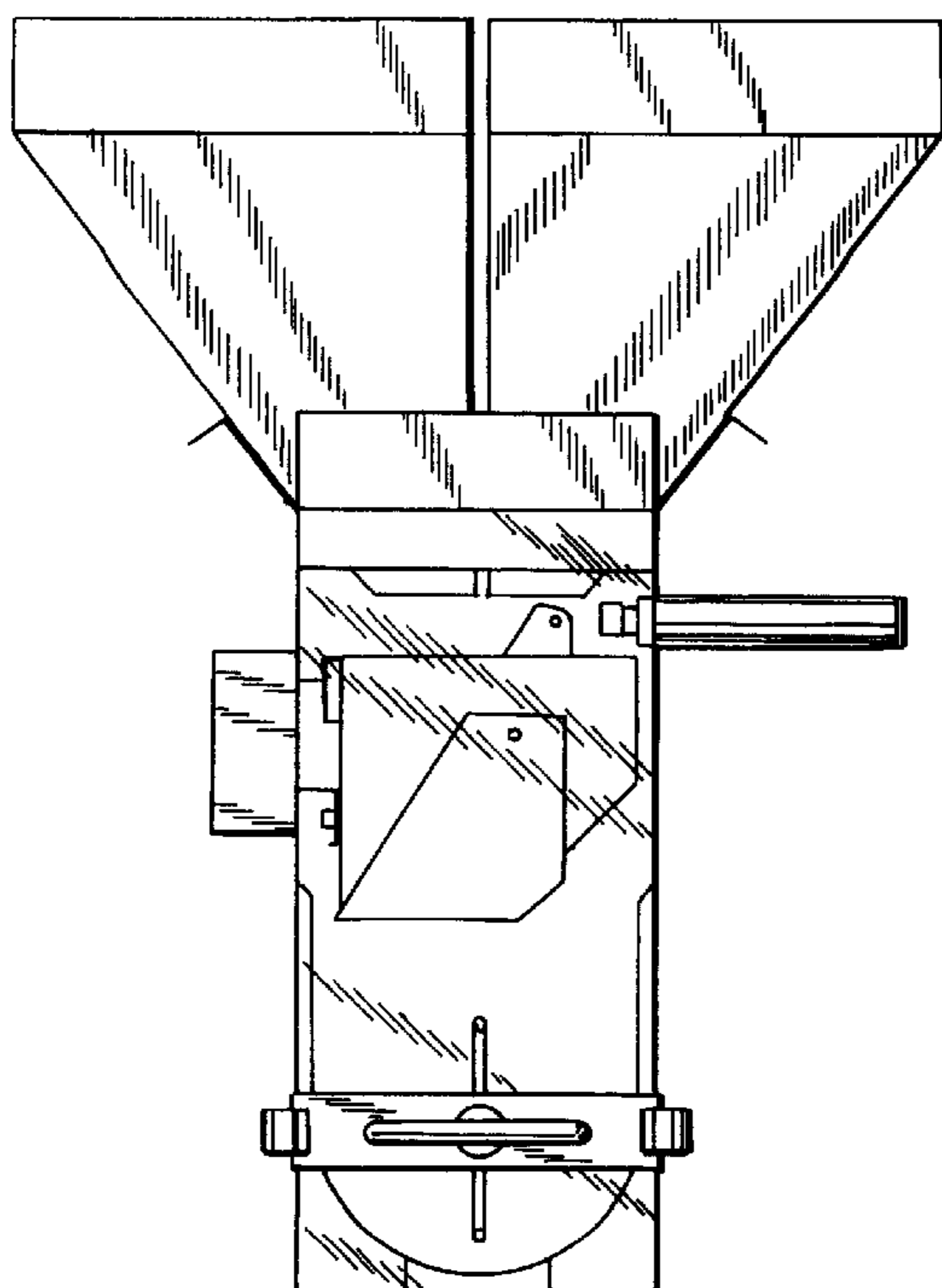


FIG. 1

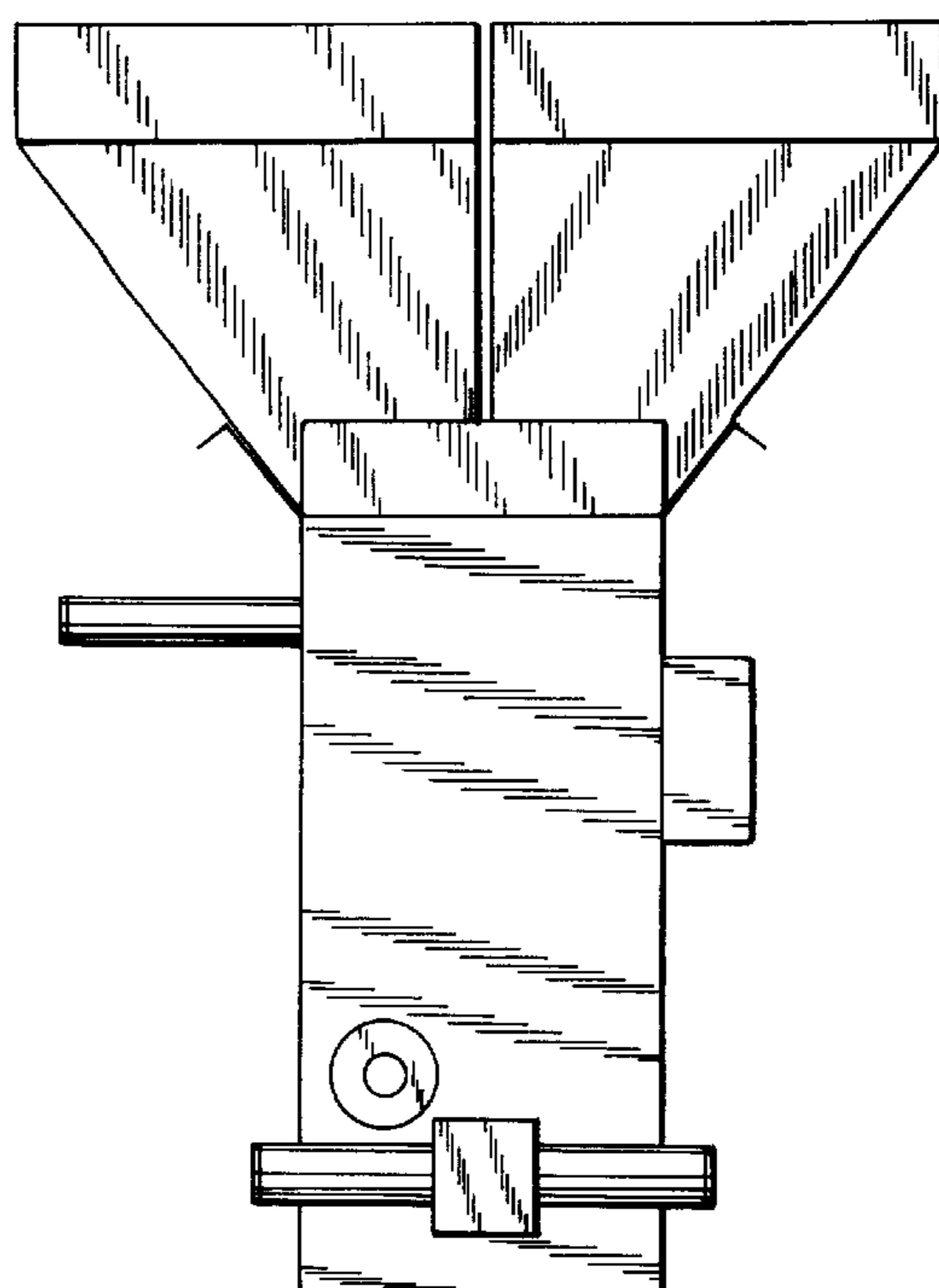


FIG. 2

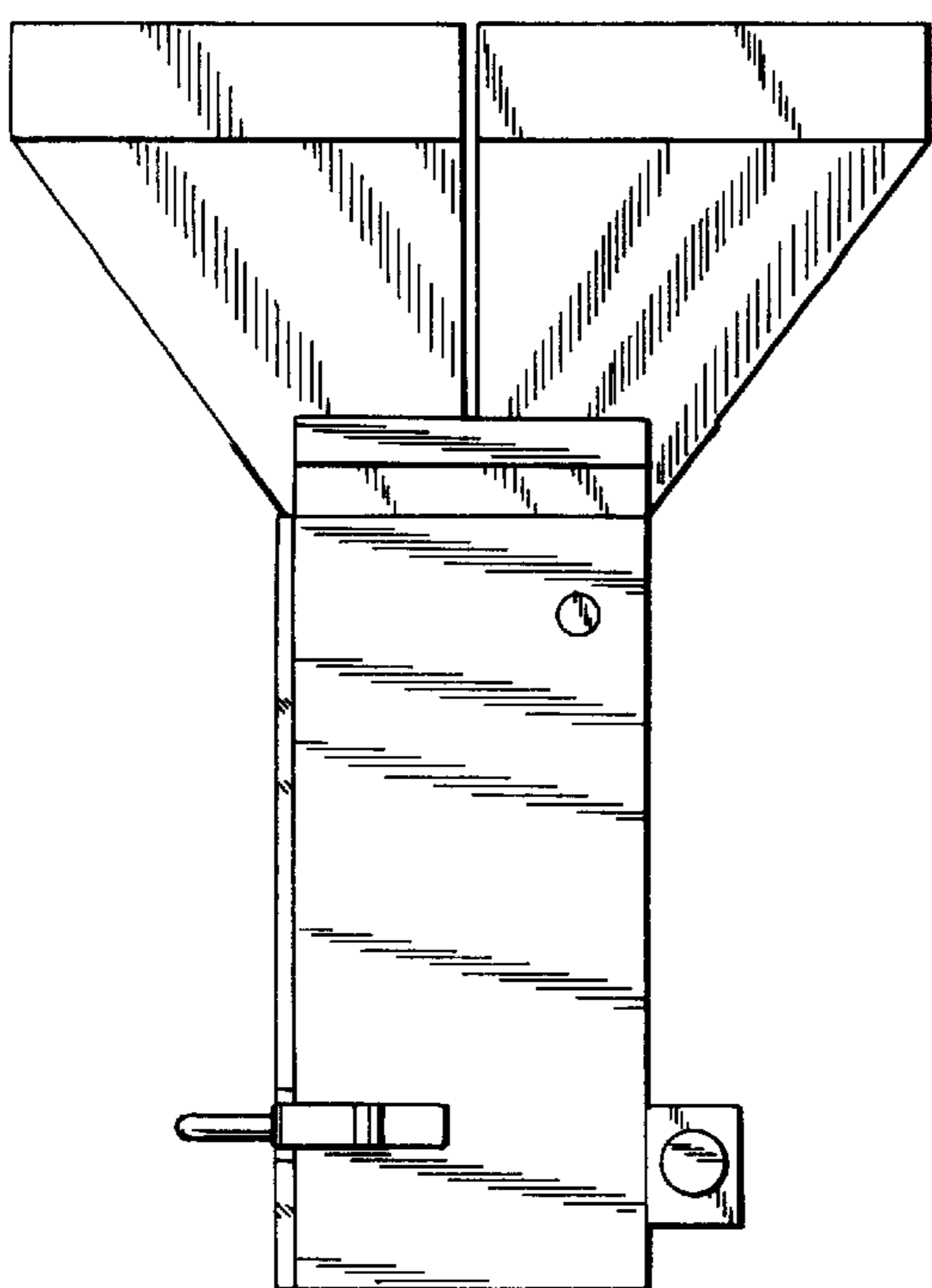


FIG. 4

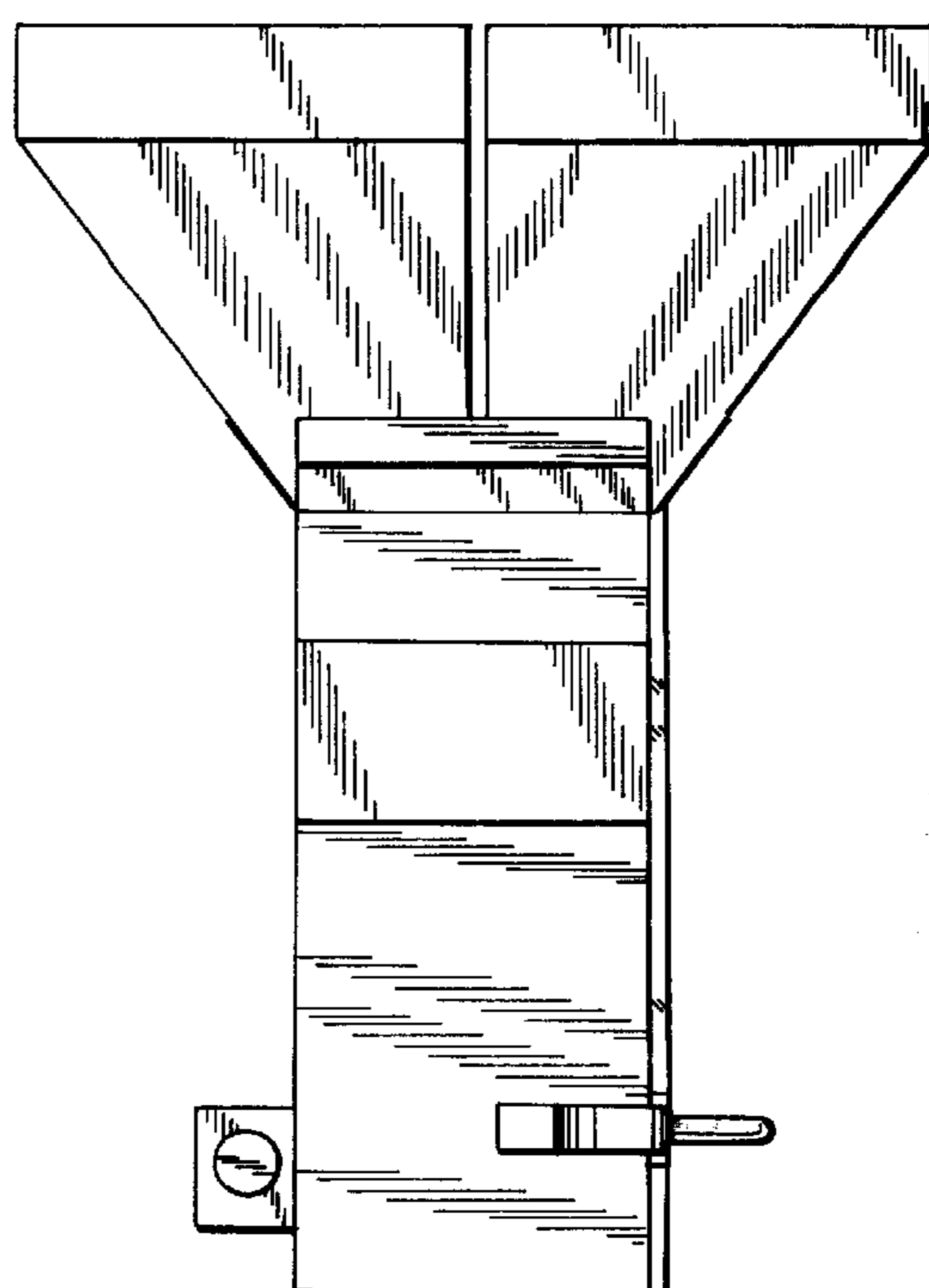


FIG. 3

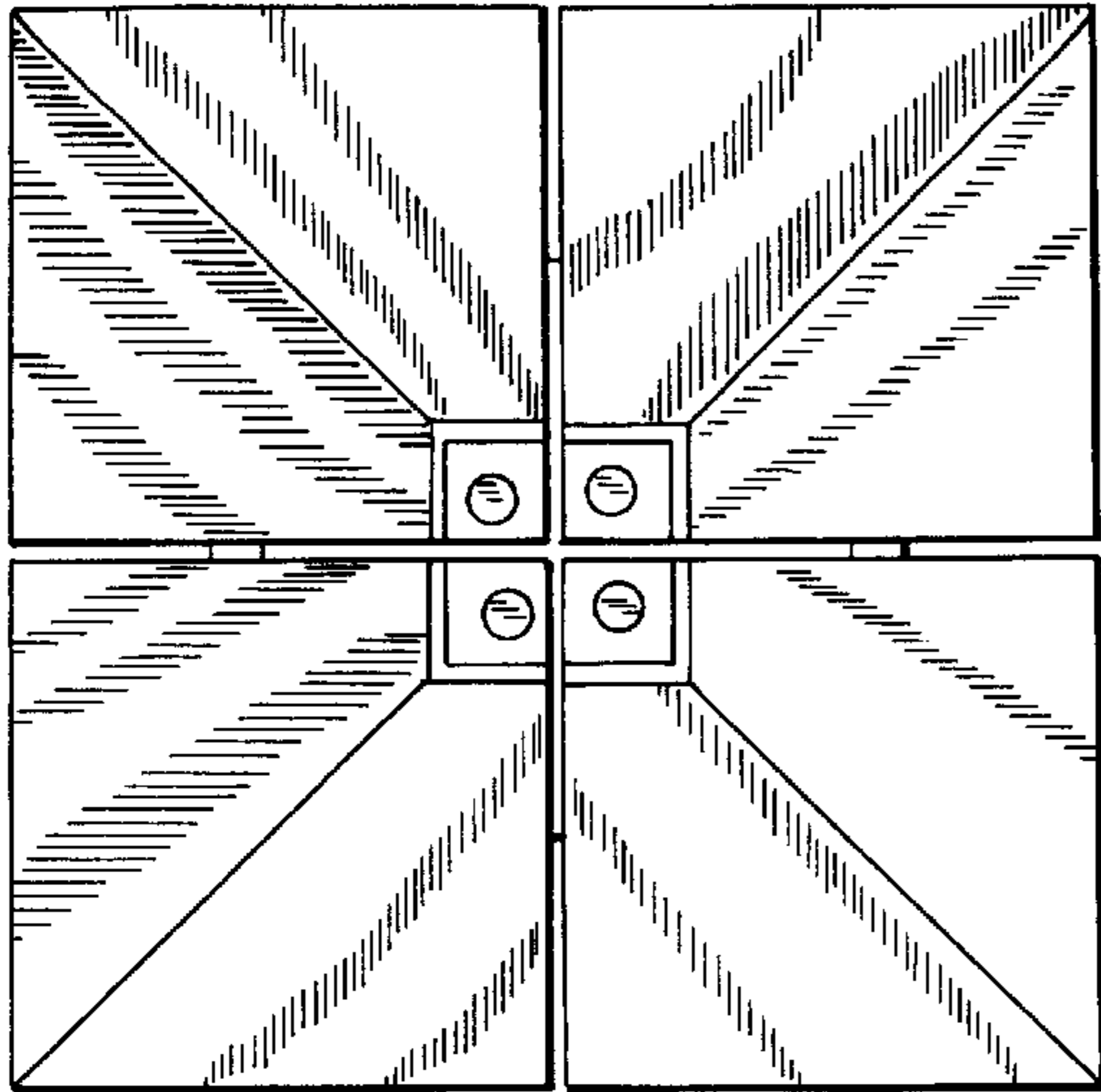


FIG. 7

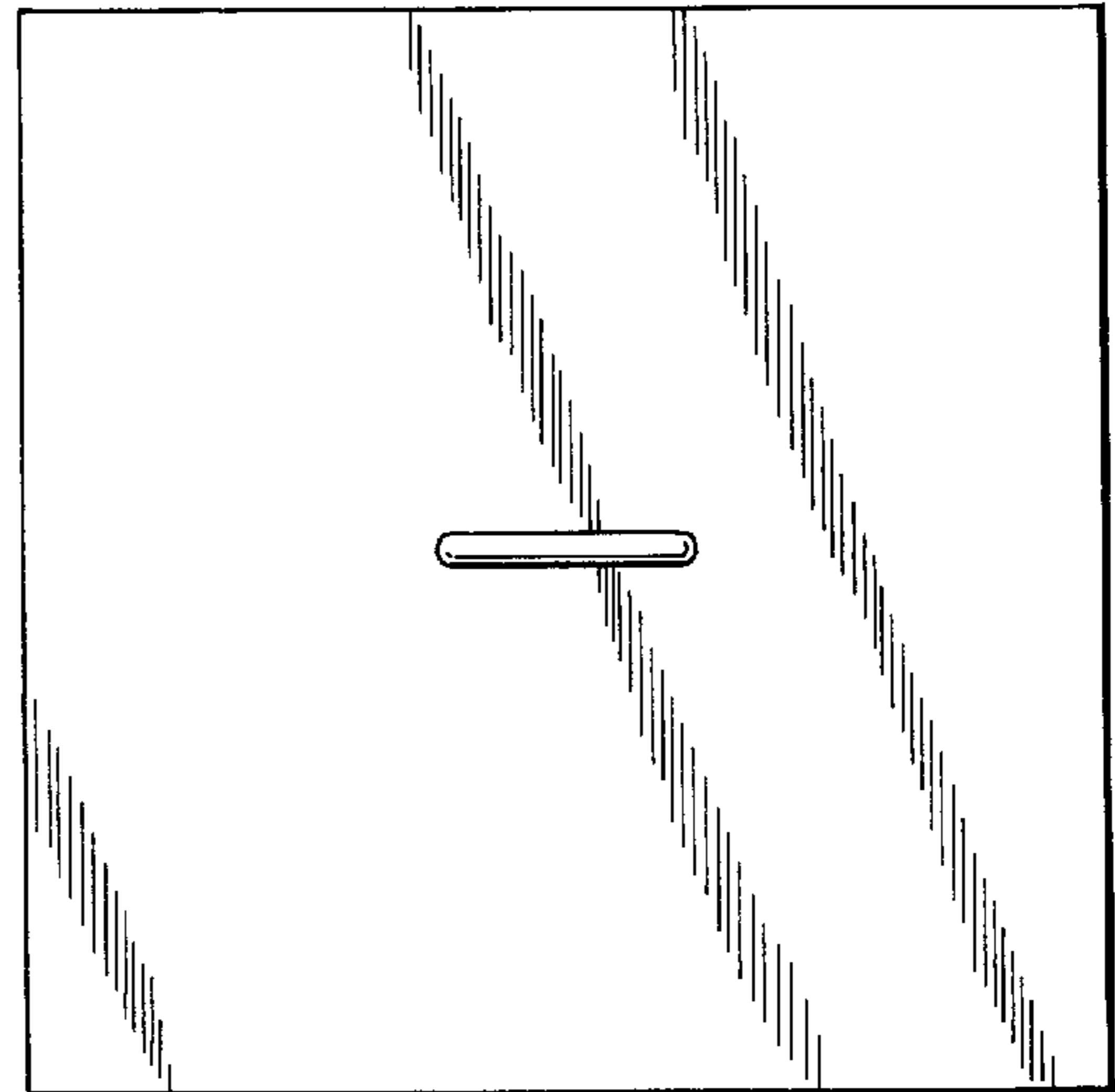


FIG. 6

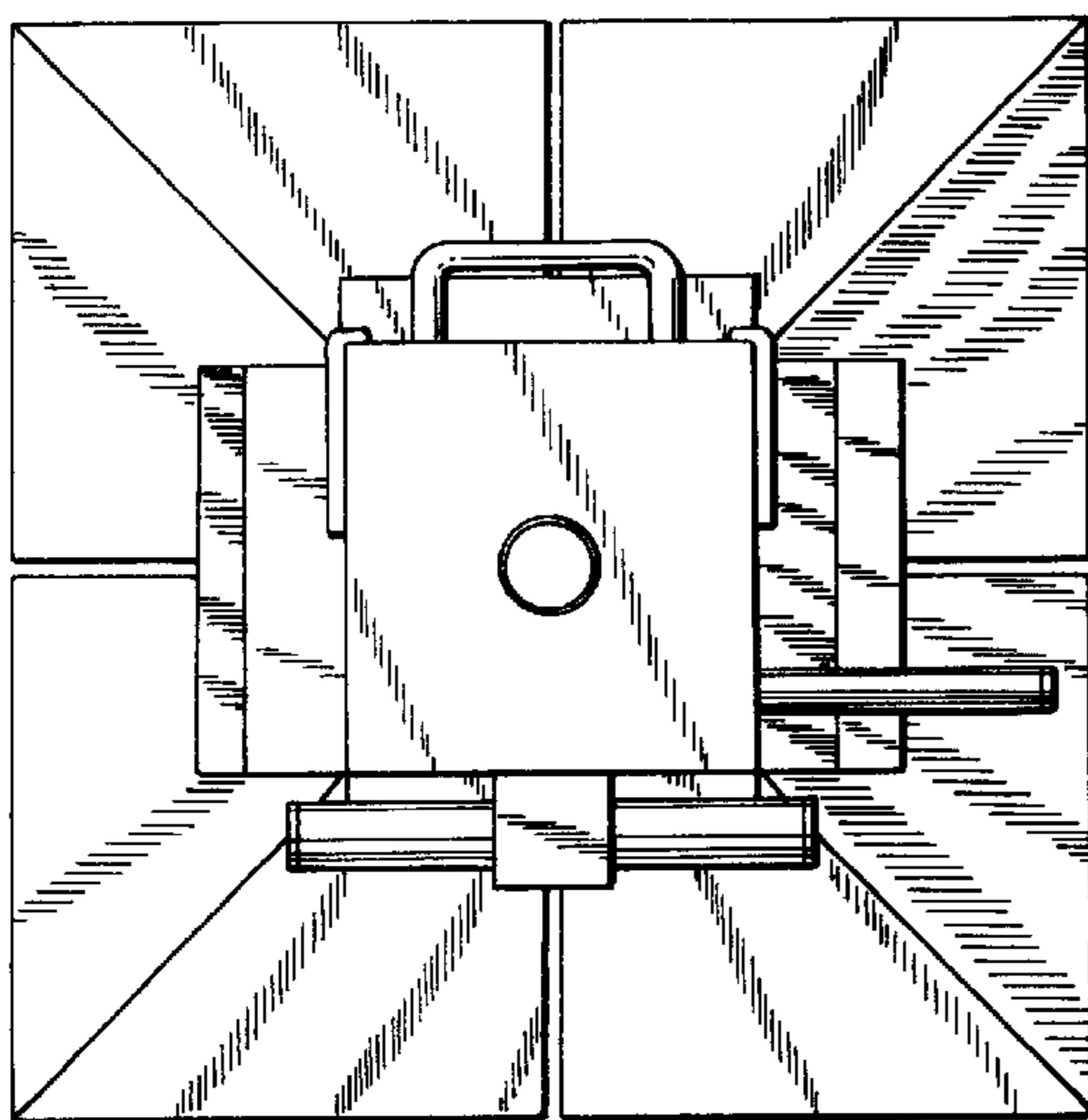


FIG. 5

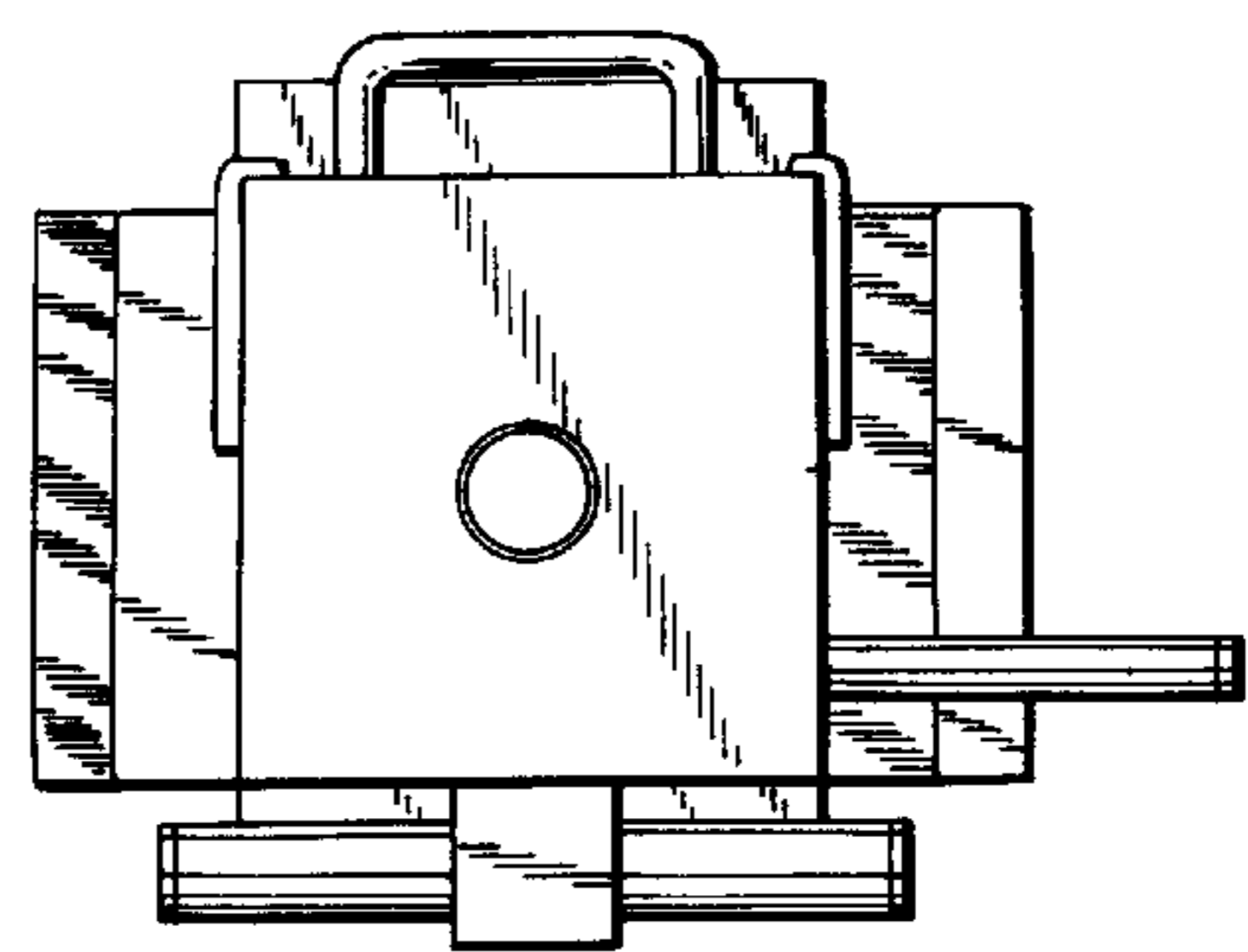


FIG. 13

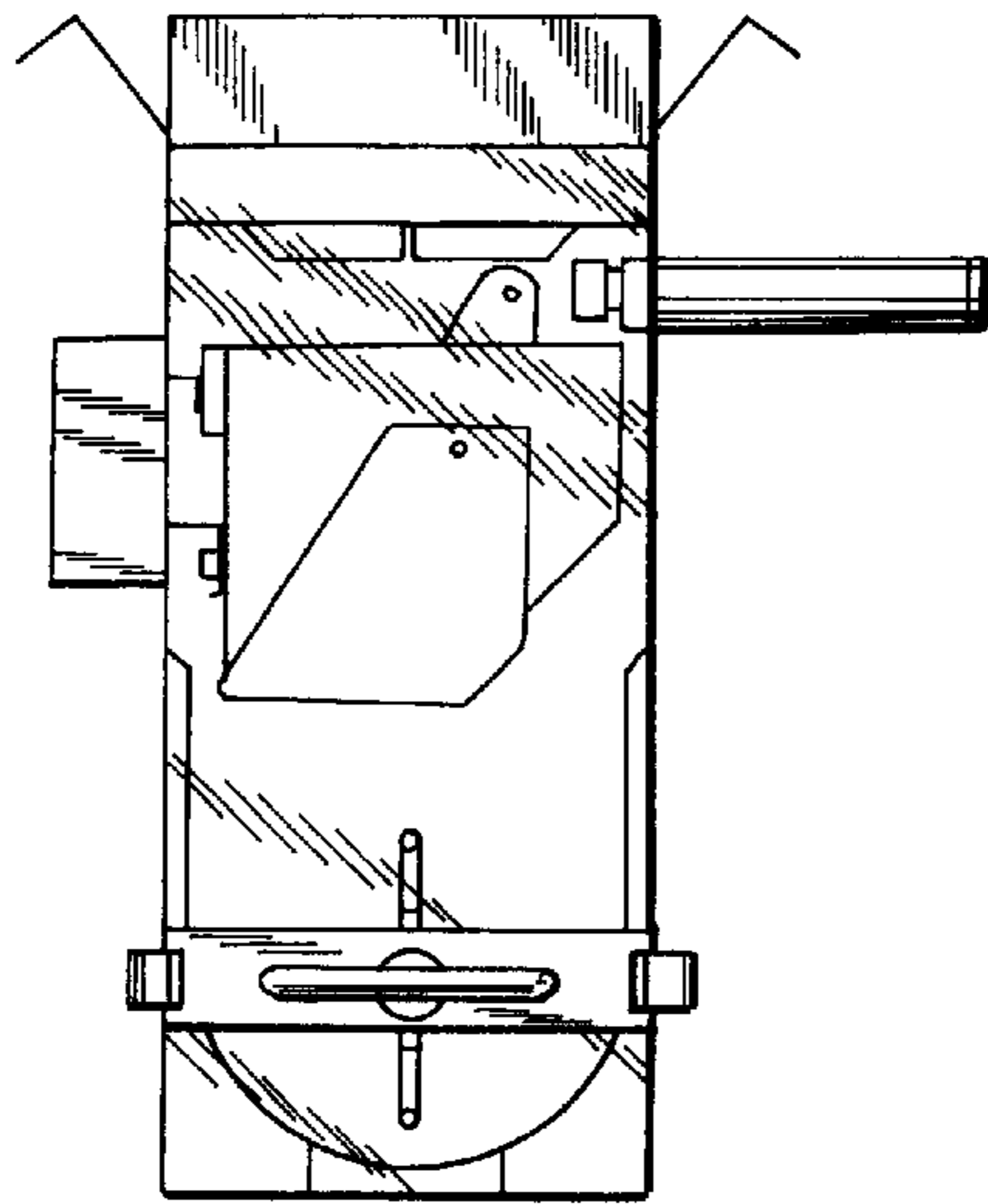


FIG. 8

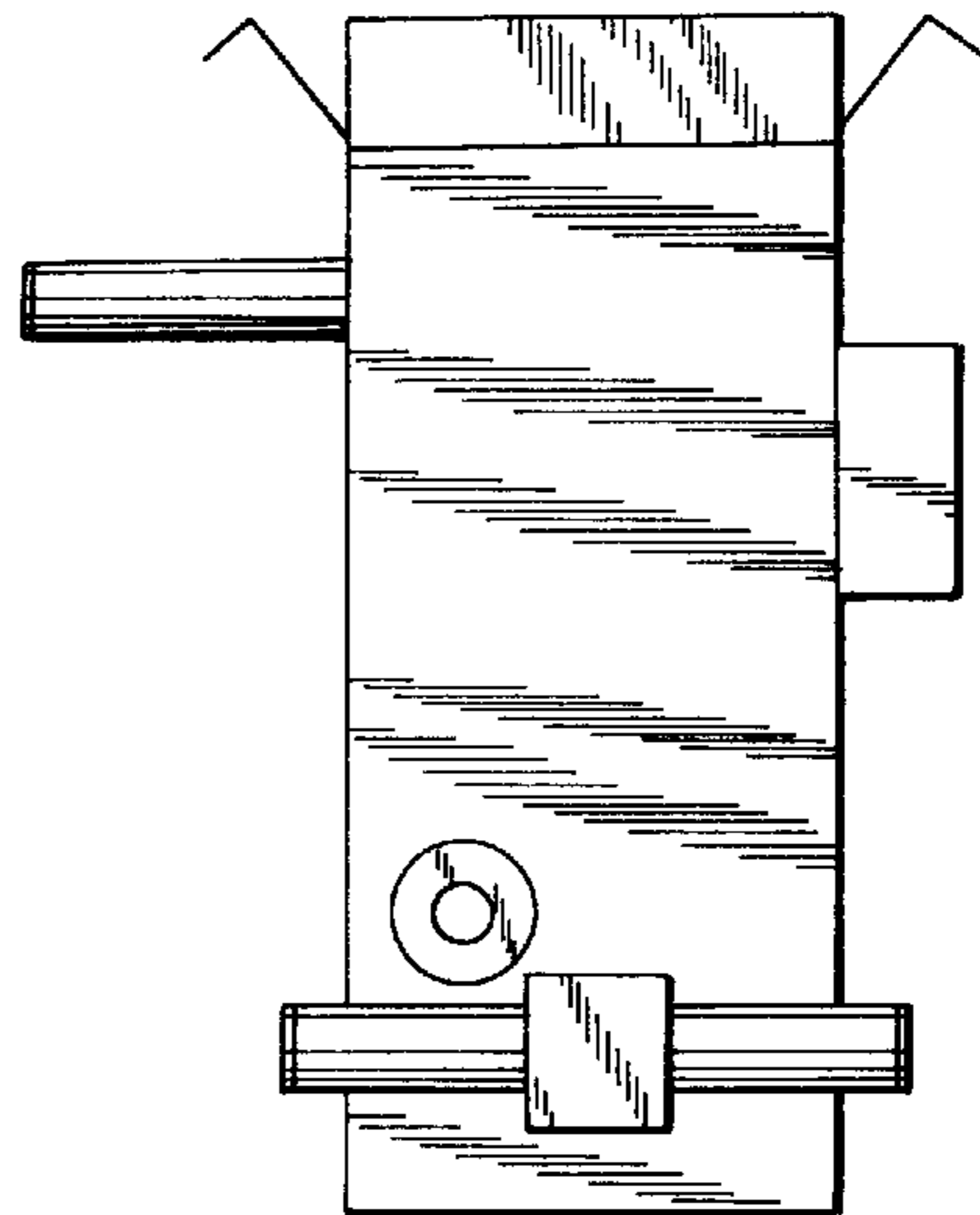


FIG. 9

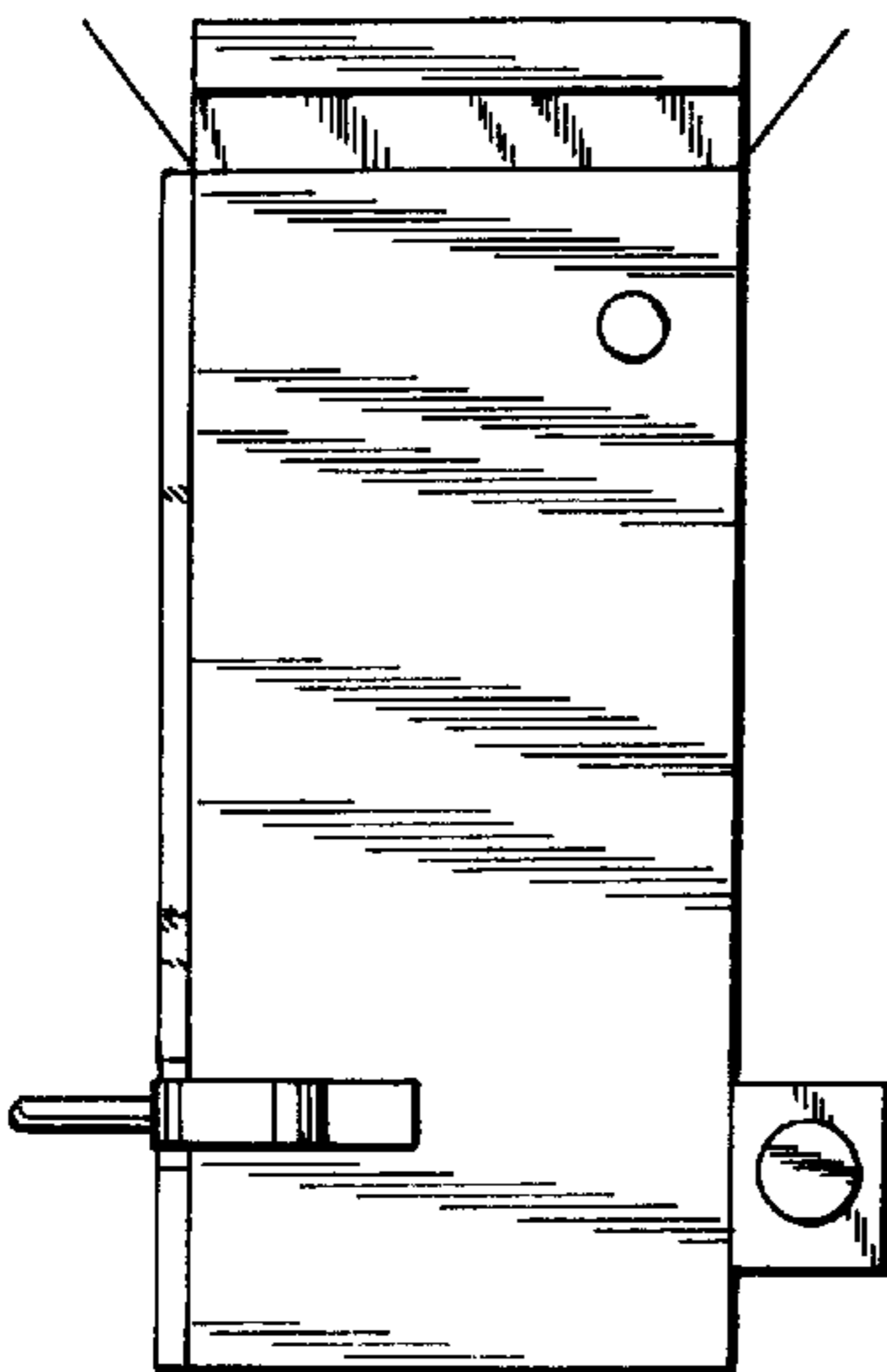


FIG. 11

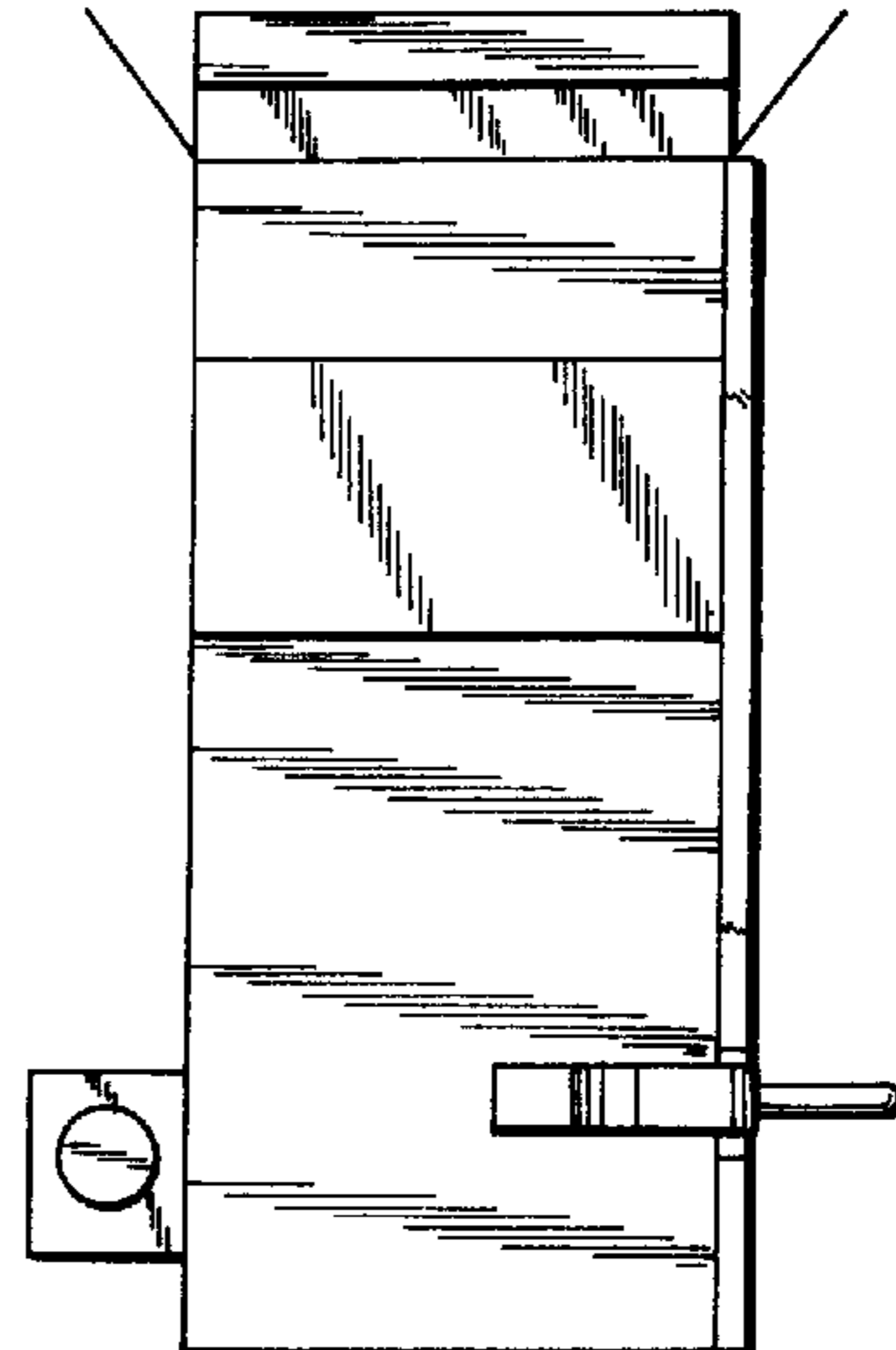


FIG. 10

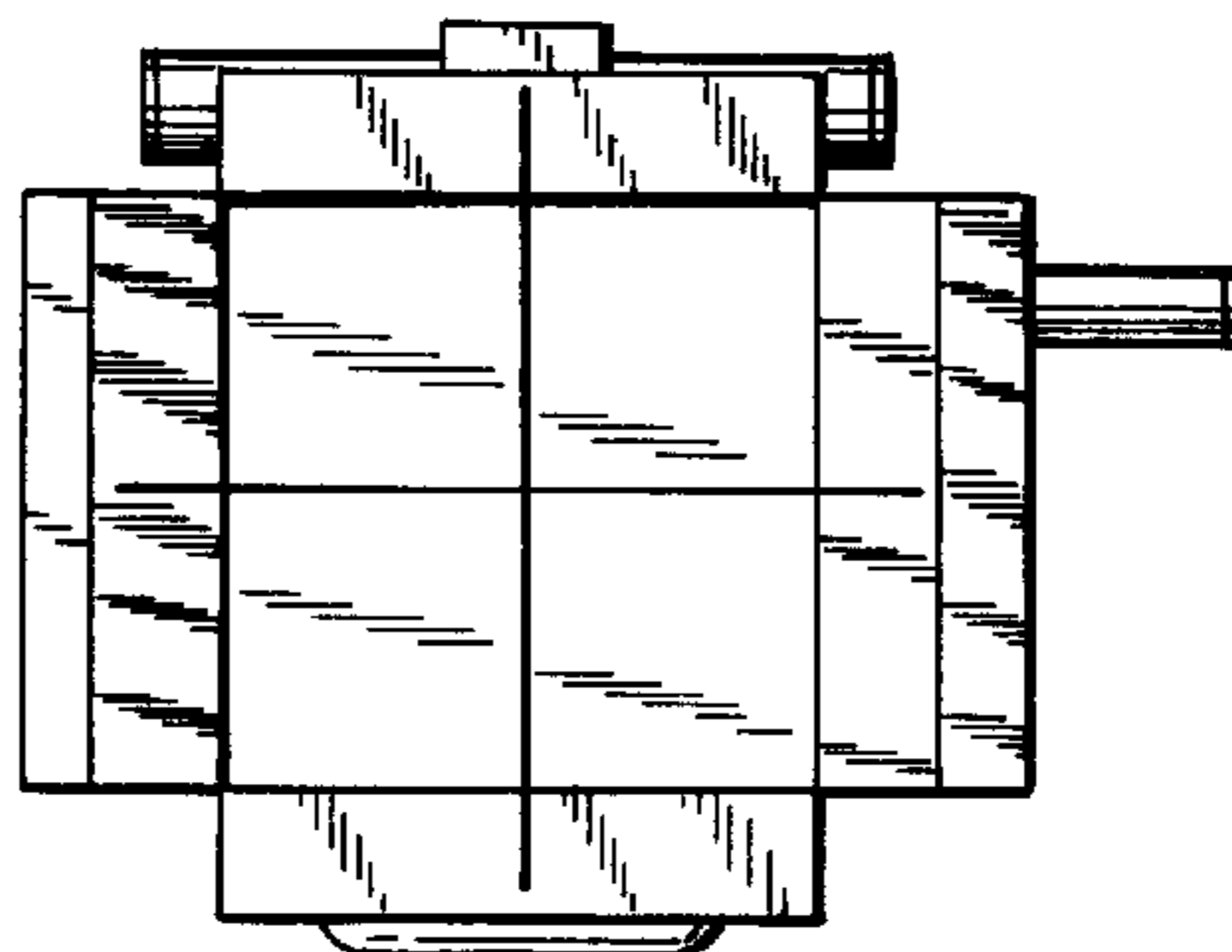


FIG. 12



US00D424587B1

(12) **REEXAMINATION CERTIFICATE** (4518th)

United States Patent
Maguire

(10) **Number:** **US D424,587 C1**
(45) **Certificate Issued:** **Jan. 8, 2002**

- (54) **GRAVIMETRIC BLENDER**
- (75) Inventor: **Stephen B. Maguire**, Glen Mills, PA (US)
- (73) Assignee: **Maguire Products, Inc.**, Aston, PA (US)

| | | | |
|-------------|---------|-----------------------|-----------|
| 4,552,235 A | 11/1985 | Brunnschweiler | 177/1 |
| 4,629,410 A | 12/1986 | Hehl | 425/145 |
| 4,733,971 A | 3/1988 | Pratt | 366/141 |
| 4,812,048 A | 3/1989 | Neumann et al. | 366/141 |
| 4,895,450 A | 1/1990 | Holik | 366/18 |
| 5,096,302 A | 3/1992 | Durina | 366/76 |
| 5,116,547 A | 5/1992 | Tsukahara et al. | 264/1.1 |
| 5,125,535 A | 6/1992 | Ohlman | 222/77 |
| 5,213,724 A | 5/1993 | Saatkamp | 264/37 |
| 5,217,108 A | 6/1993 | Newnan | 198/670 |
| 5,240,324 A | 8/1993 | Phillips et al. | 366/132 |
| 5,282,548 A | 2/1994 | Ishihara | 222/55 |
| 5,527,107 A | 6/1996 | Weibel et al. | 366/141 |
| 5,599,099 A | 2/1997 | Bullivant | 366/141 |
| 5,599,101 A | 2/1997 | Pardikes | 366/165.1 |
| 5,772,319 A | 6/1998 | Pemberton et al. | 366/76.2 |
| 6,007,236 A | 12/1999 | Maguire | 366/141 |
| 6,057,514 A | 5/2000 | Maguire | 177/105 |
| 6,155,709 A | 12/2000 | O'Callaghan | 366/141 |

Reexamination Request:
No. 90/005,883, Dec. 11, 2000

Reexamination Certificate for:
Patent No.: **Des. 424,587**
Issued: **May 9, 2000**
Appl. No.: **29/071,503**
Filed: **May 30, 1997**

Related U.S. Application Data

- (60) Provisional application No. 60/032,831, filed on Dec. 13, 1996.
- (51) **LOC (7) Cl.** **15-09**
- (52) **U.S. Cl.** **D15/147; D10/87**
- (58) **Field of Search** **D10/87; D15/147;**
137/88, 7, 607, 898; 156/244.11; 177/60,
16, 145; 222/77, 239, 342; 251/129.05,
210; 364/528.04; 366/141, 153, 156, 182,
279, 186, 190, 296, 320; 428/213, 218,
500, 516; 525/240

FOREIGN PATENT DOCUMENTS

| | | |
|----|---------------|---------|
| DE | 1255582 | 11/1967 |
| DE | 1982969 | 4/1968 |
| DE | 34 08 820 A1 | 9/1985 |
| DE | 196 14 688 A1 | 10/1997 |
| EP | 0 678 736 B1 | 10/1995 |
| GB | 1004877 | 9/1965 |
| GB | 1303459 | 1/1973 |
| GB | 2161090 A | 1/1988 |
| SU | 1310290 | 5/1987 |
| WO | 87/07182 | 3/1987 |

(56) **References Cited**

U.S. PATENT DOCUMENTS

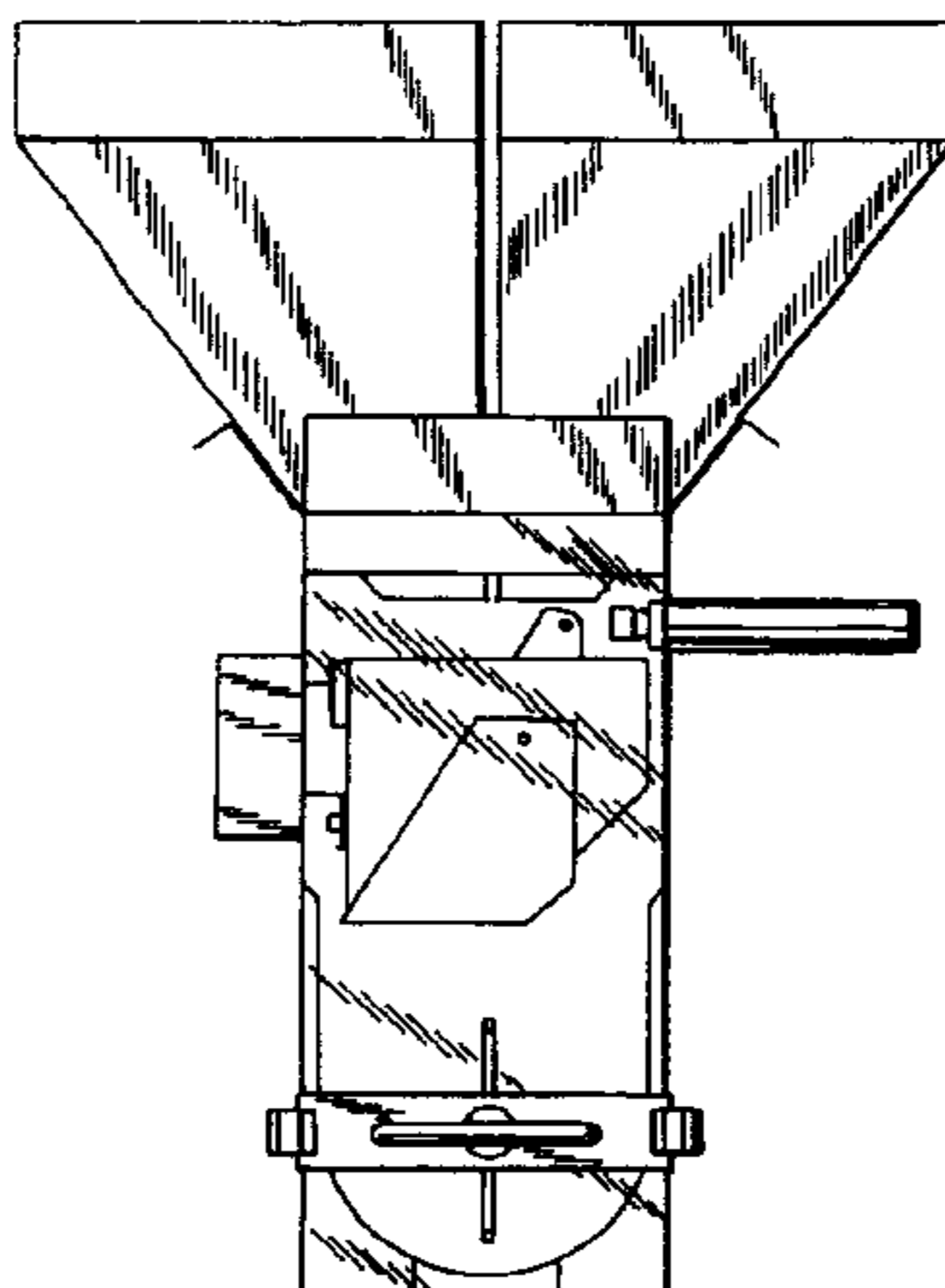
| | | | |
|-------------|---------|---------------------|---------|
| 2,893,602 A | 7/1959 | Barber et al. | 222/77 |
| 3,228,563 A | 1/1966 | Rankin et al. | 222/77 |
| 3,252,531 A | 5/1966 | Mayer et al. | 177/69 |
| 3,410,530 A | 11/1968 | Gilman | 259/4 |
| 3,814,388 A | 6/1974 | Jakob | 259/191 |
| 3,822,866 A | 7/1974 | Daester et al. | 259/149 |
| 3,853,190 A | 12/1974 | Delesdernier | 177/105 |
| 3,871,629 A | 3/1975 | Hishida | 259/191 |
| 3,967,815 A | 7/1976 | Backus et al. | 259/148 |
| 4,014,462 A | 3/1977 | Robertson | 222/136 |
| 4,339,277 A | 7/1982 | Schult | 106/275 |
| 4,459,028 A | 7/1984 | Bruder et al. | 366/141 |
| 4,544,279 A | 10/1985 | Rudolph | 366/132 |

OTHER PUBLICATIONS

Maguire Products, Inc. "Weigh Scale Blender", Nov. 4, 1994, Media, Pennsylvania.*
 One page brochure "Una-Dyn Additive Feeder" (undated).
 Four page brochure entitled "Novatec Gravimetric Blenders" (undated).
 Two-sided color brochure entitled "Convey, Blend, Dry" published by Novatec, Inc., undated.
 One page two-sided color brochure entitled "Saturn's comparative testing program selected Mould-Tek's GXB Blender" of Mould-tek, undated.

* cited by examiner

Primary Examiner—Janice E. Seeger



1

**REEXAMINATION CERTIFICATE
ISSUED UNDER 35 U.S.C. 307
NO AMENDMENTS HAVE BEEN
MADE TO THE PATENT**

2

AS A RESULT OF REEXAMINATION, IT HAS BEEN
DETERMINED THAT:

The patentability of the one claim is confirmed.

* * * * *