



US00D424586S

# United States Patent [19]

Rugen et al.

[11] Patent Number: Des. 424,586

[45] Date of Patent: \*\* May 9, 2000

[54] SAW BENCH

D. 394,071 5/1998 Ceroll et al. .... D15/133  
D. 400,896 11/1998 Hepworth .... D15/133

[75] Inventors: **Hermann Rugen; Peter Landsberg,**  
both of Meppen; **Klaus Raasch,**  
Geeste; **Andreas Afting,** Emsbüren, all  
of Germany

*Primary Examiner*—Antoine Duval Davis  
*Attorney, Agent, or Firm*—Sixbey, Friedman, Leedom &  
Ferguson; David S. Safran

[73] Assignee: **Elektra Beckum AG,** Meppen,  
Germany

### [57] CLAIM

[\*\*] Term: **14 Years**

The ornamental design for a saw bench, as shown and  
described.

[21] Appl. No.: **29/096,323**

[22] Filed: **Nov. 10, 1998**

### [30] Foreign Application Priority Data

Jun. 5, 1998 [DE] Germany ..... 298 10 050  
Oct. 7, 1998 [DE] Germany ..... 498 09 905

### DESCRIPTION

[51] LOC (7) Cl. .... **15-09**

[52] U.S. Cl. .... **D15/133; D15/141**

[58] Field of Search ..... D15/138, 141;  
83/432, 435, 468.7, 468.3, 477, 477.2,  
478, 522.3, 522.1; 269/318, 165, 180; 125/13.01

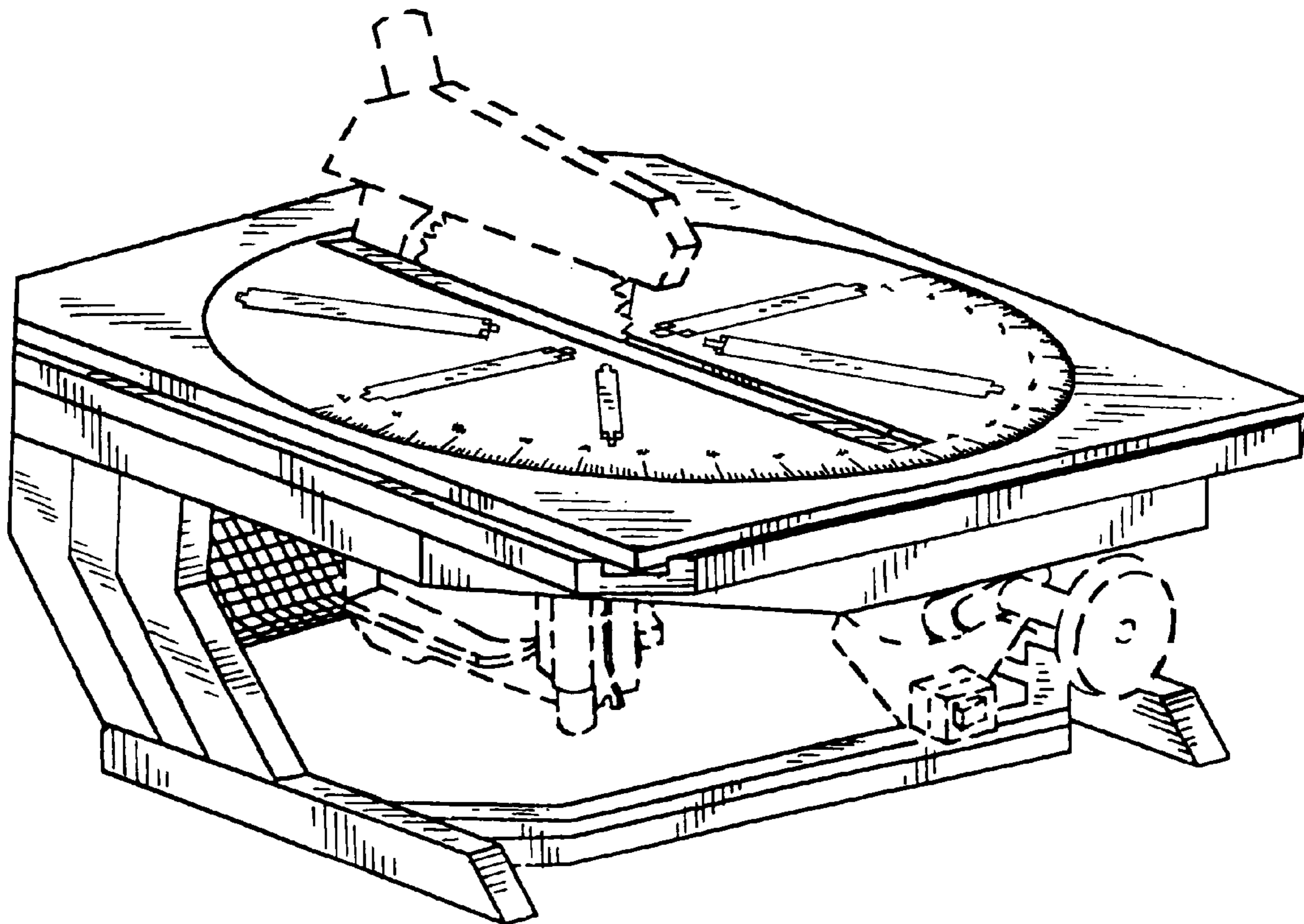
FIG. 1 is a top plan view of the design;  
FIG. 2 is a left side view of the design;  
FIG. 3 is a right side view of the design;  
FIG. 4 is a front view of the design;  
FIG. 5 is a rear view of the design;  
FIG. 6 is a bottom plan view of the design;  
FIG. 7 is a view of the design including legs;  
FIG. 8 is a view of the design including a circular saw-blade  
and motor; and,  
FIG. 9 is a view of the design including a chain saw-blade  
and motor.

### [56] References Cited

#### U.S. PATENT DOCUMENTS

D. 354,757 1/1995 Wixey ..... D15/133

**1 Claim, 9 Drawing Sheets**



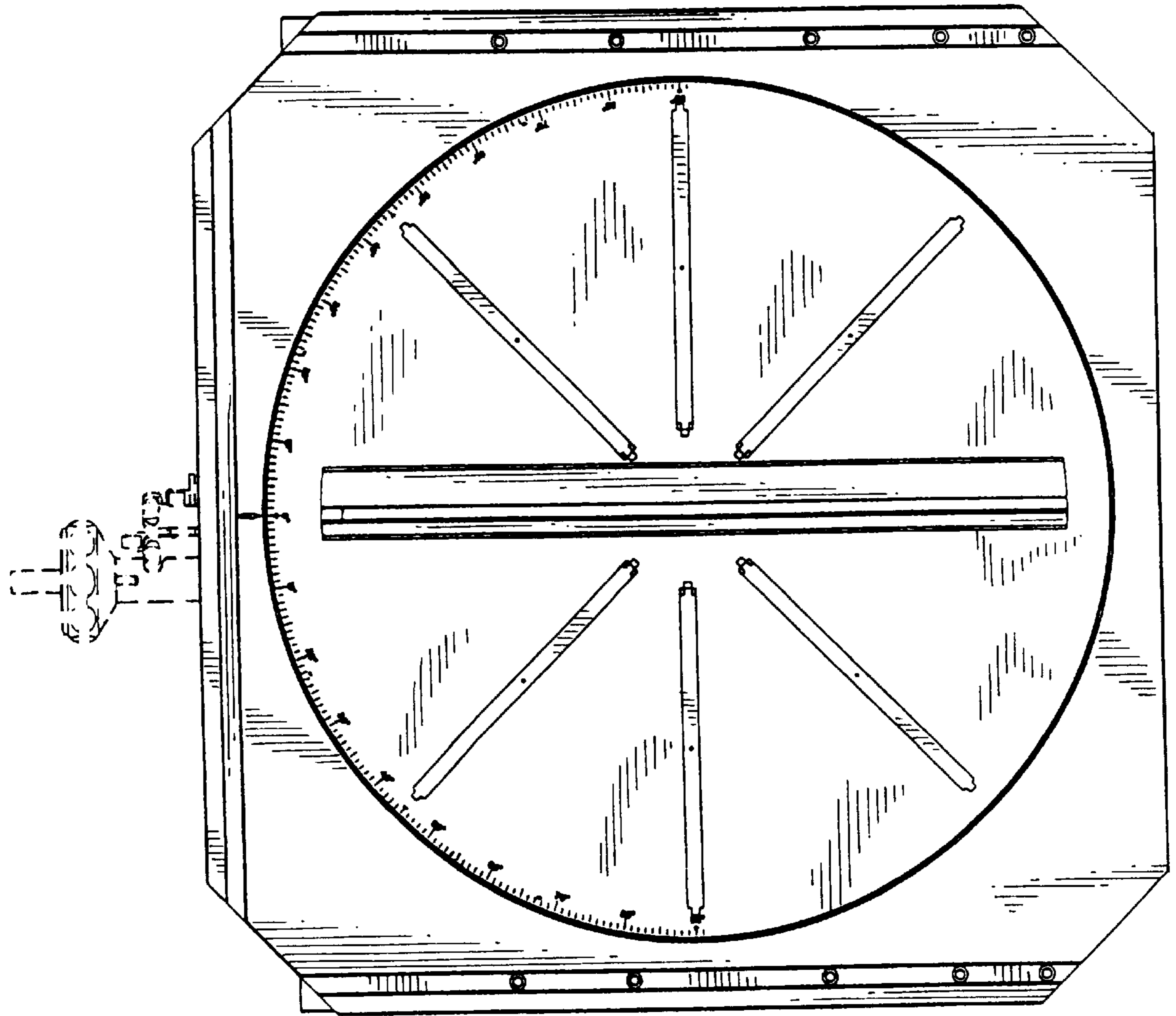


FIG. 1

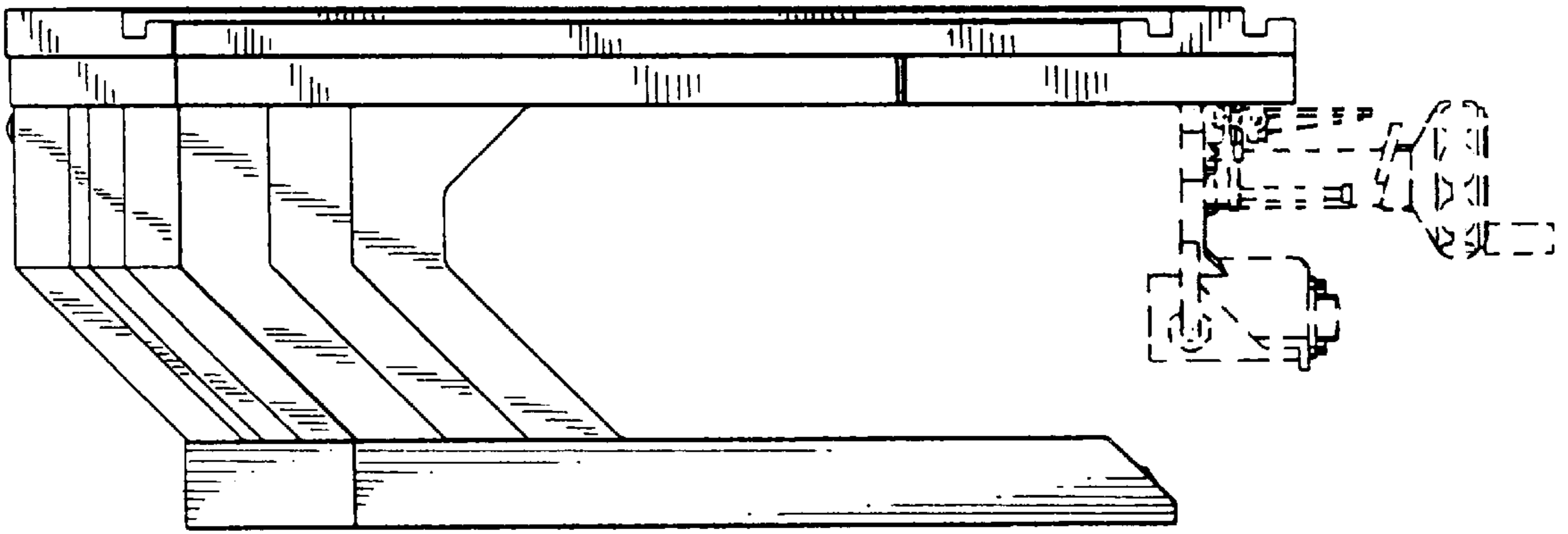


FIG. 2

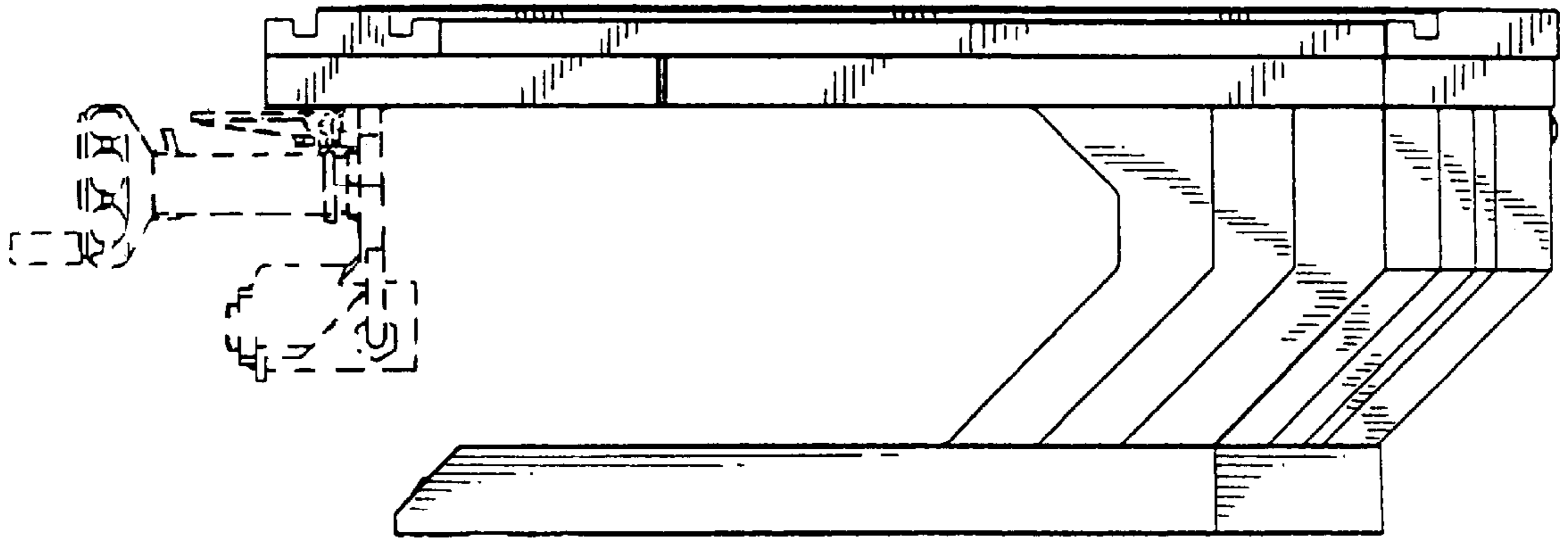


FIG. 3

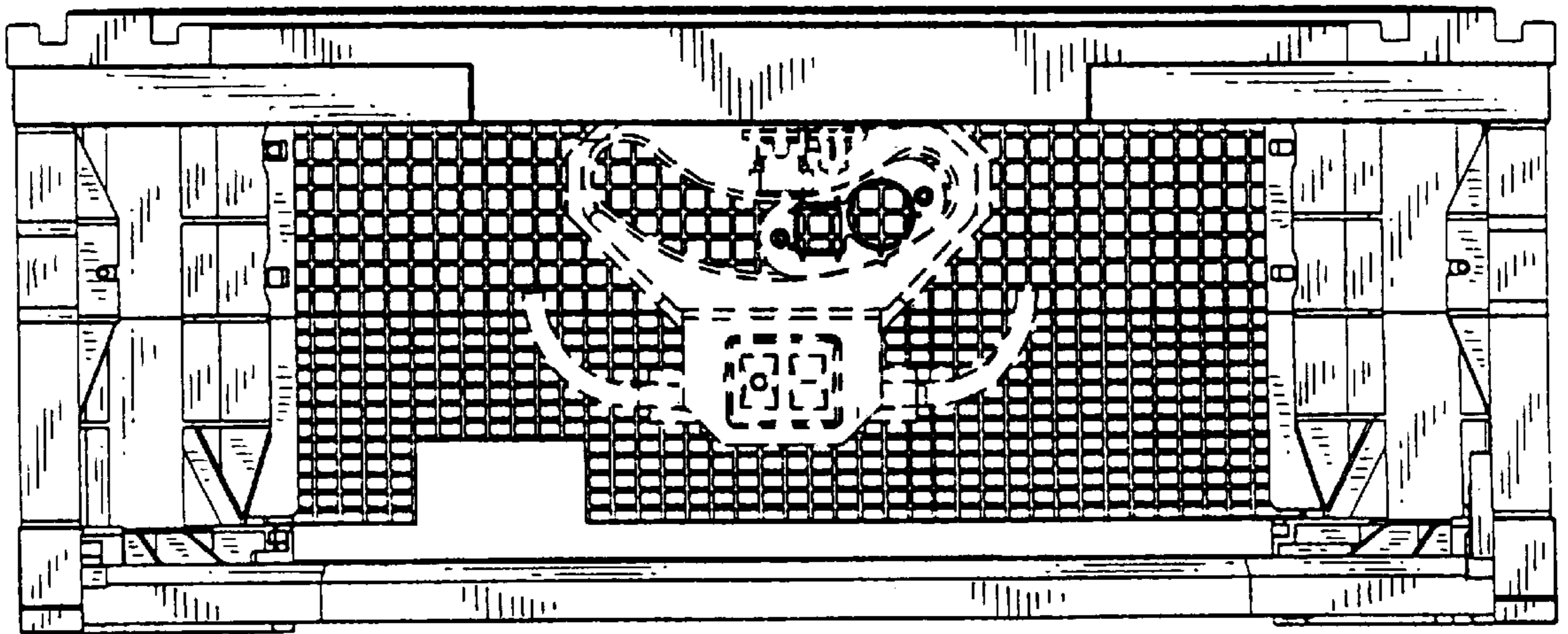


FIG. 4



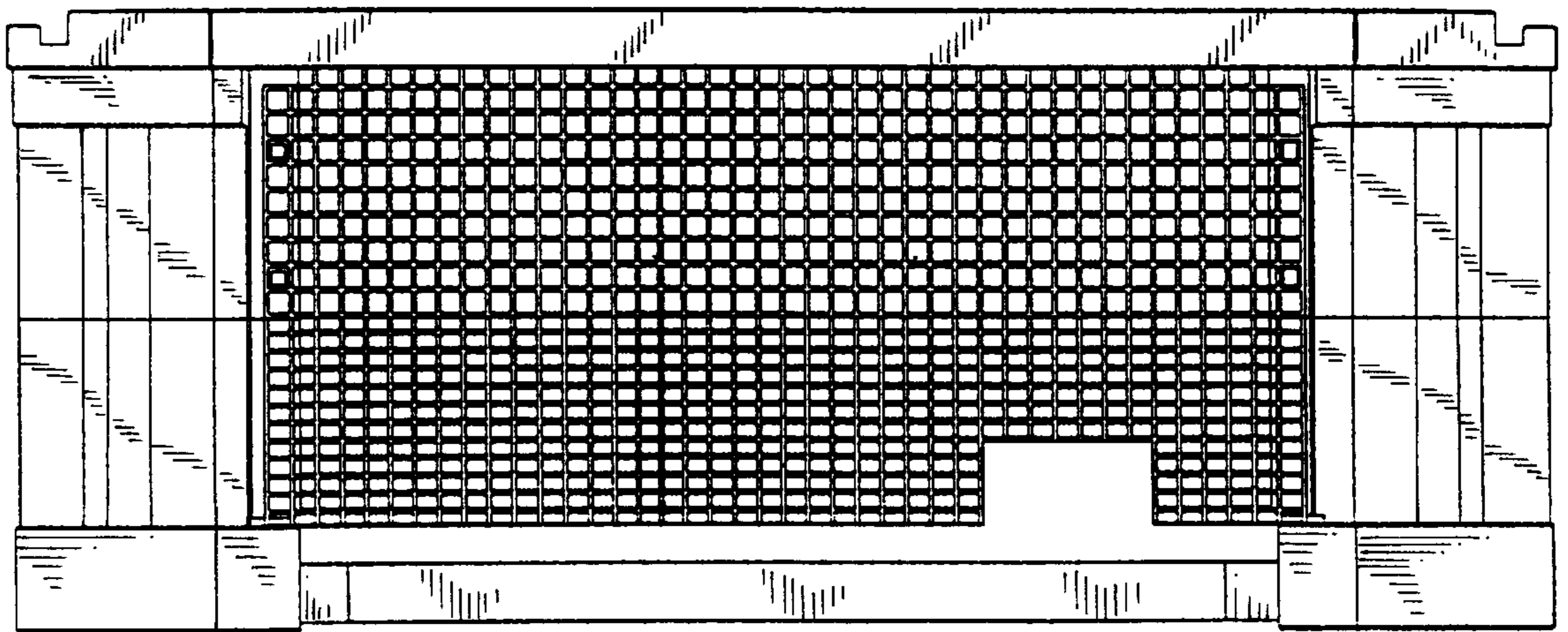


FIG. 5

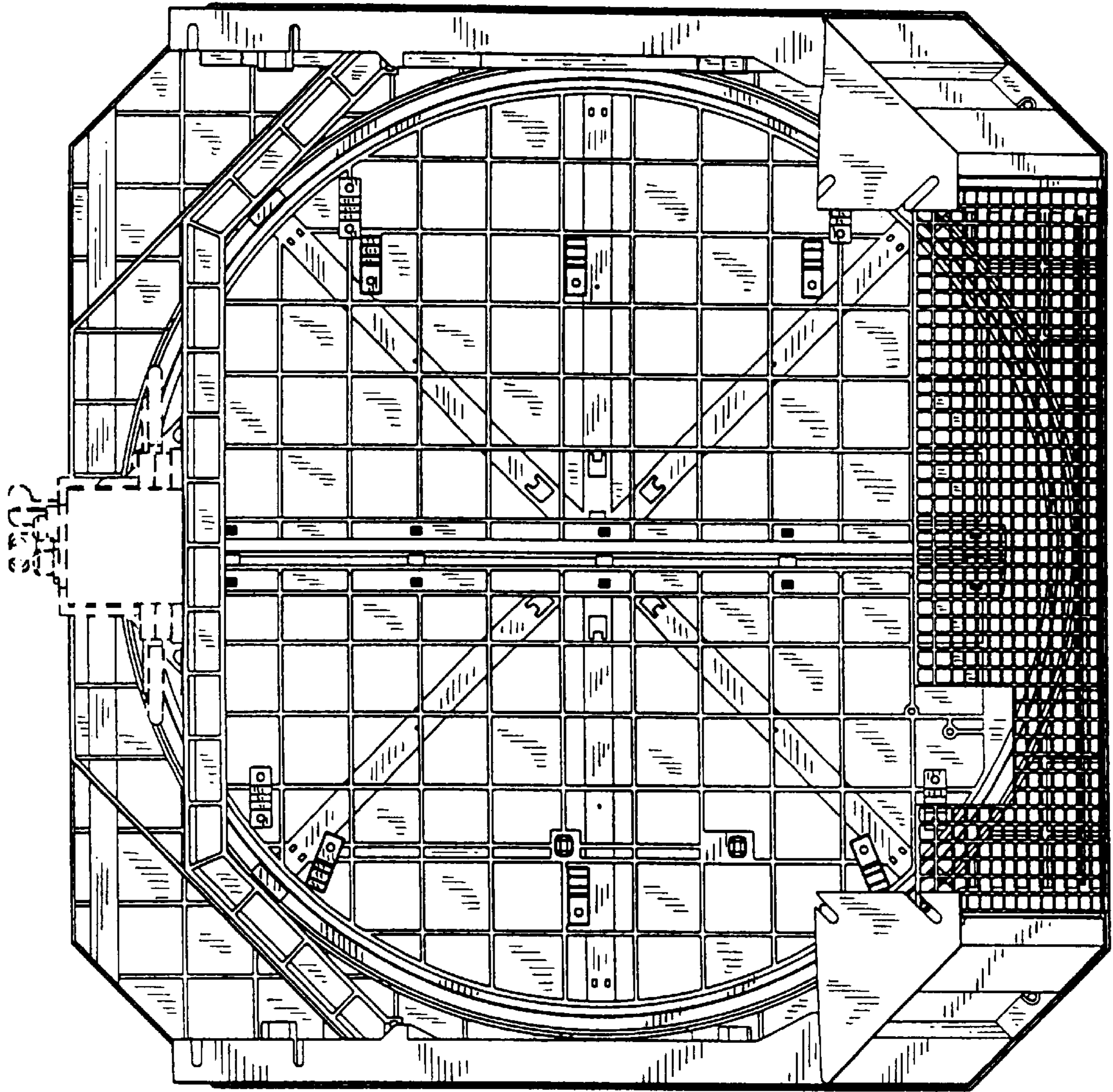


FIG. 6

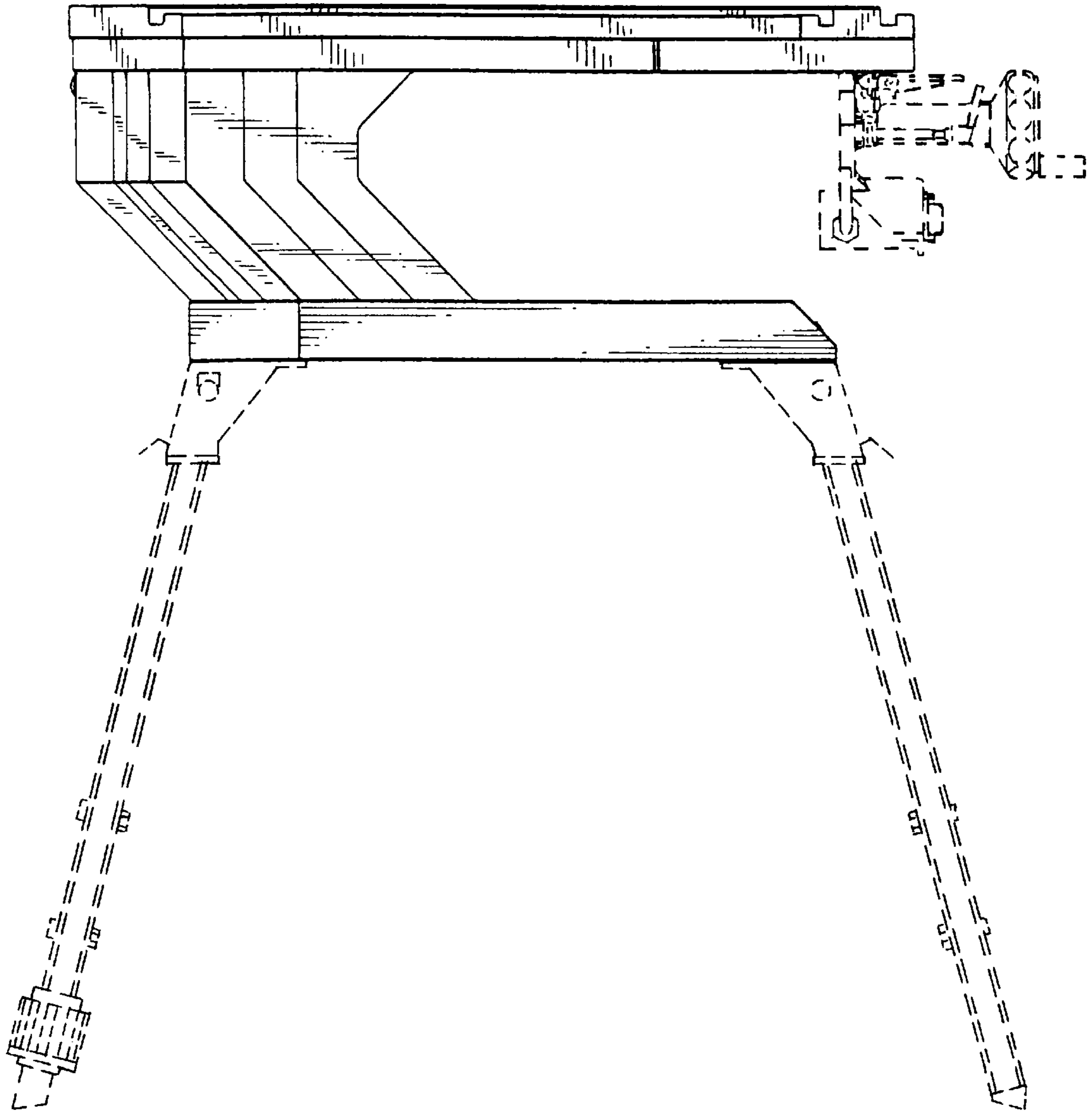


FIG. 7



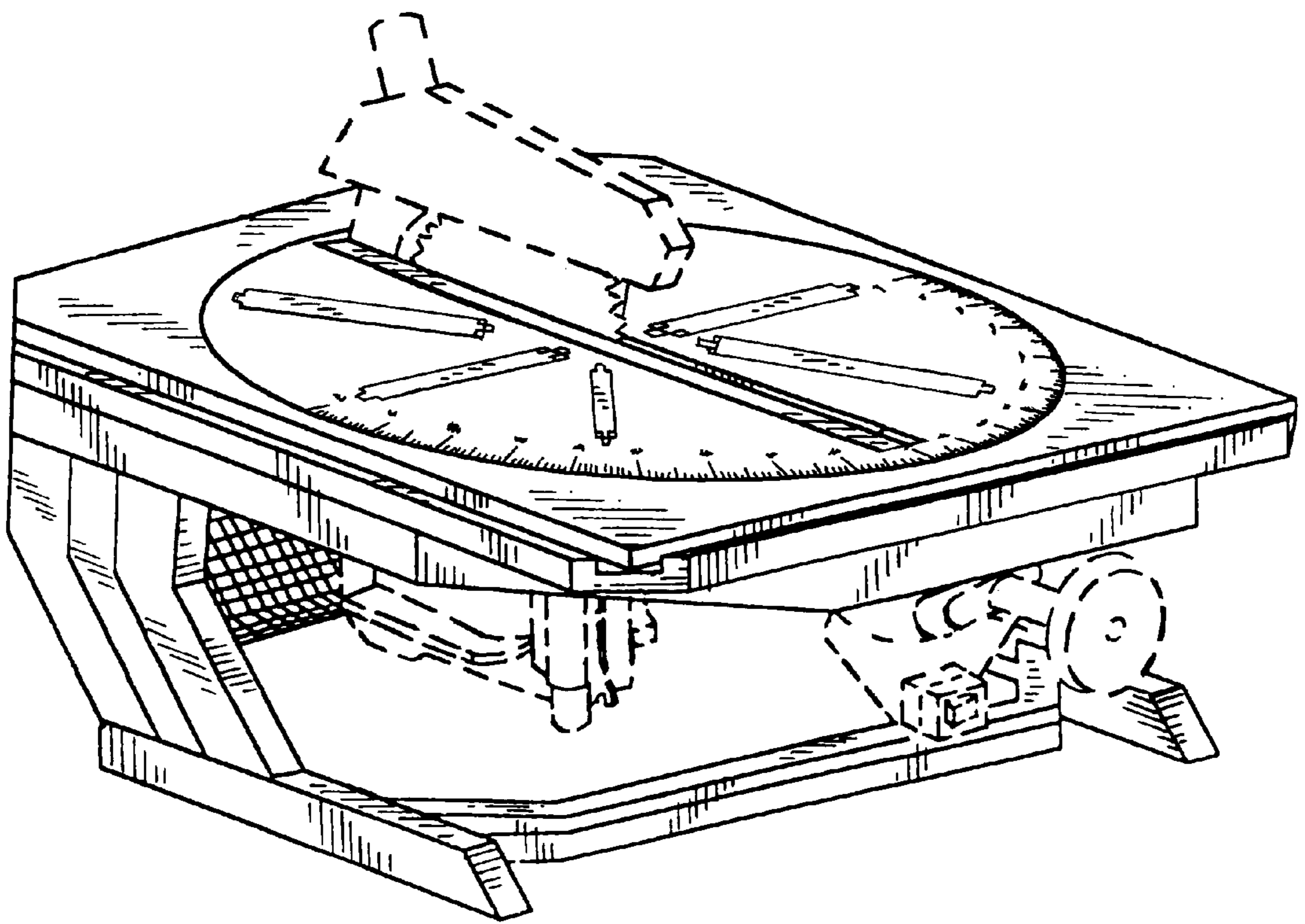


FIG. 8

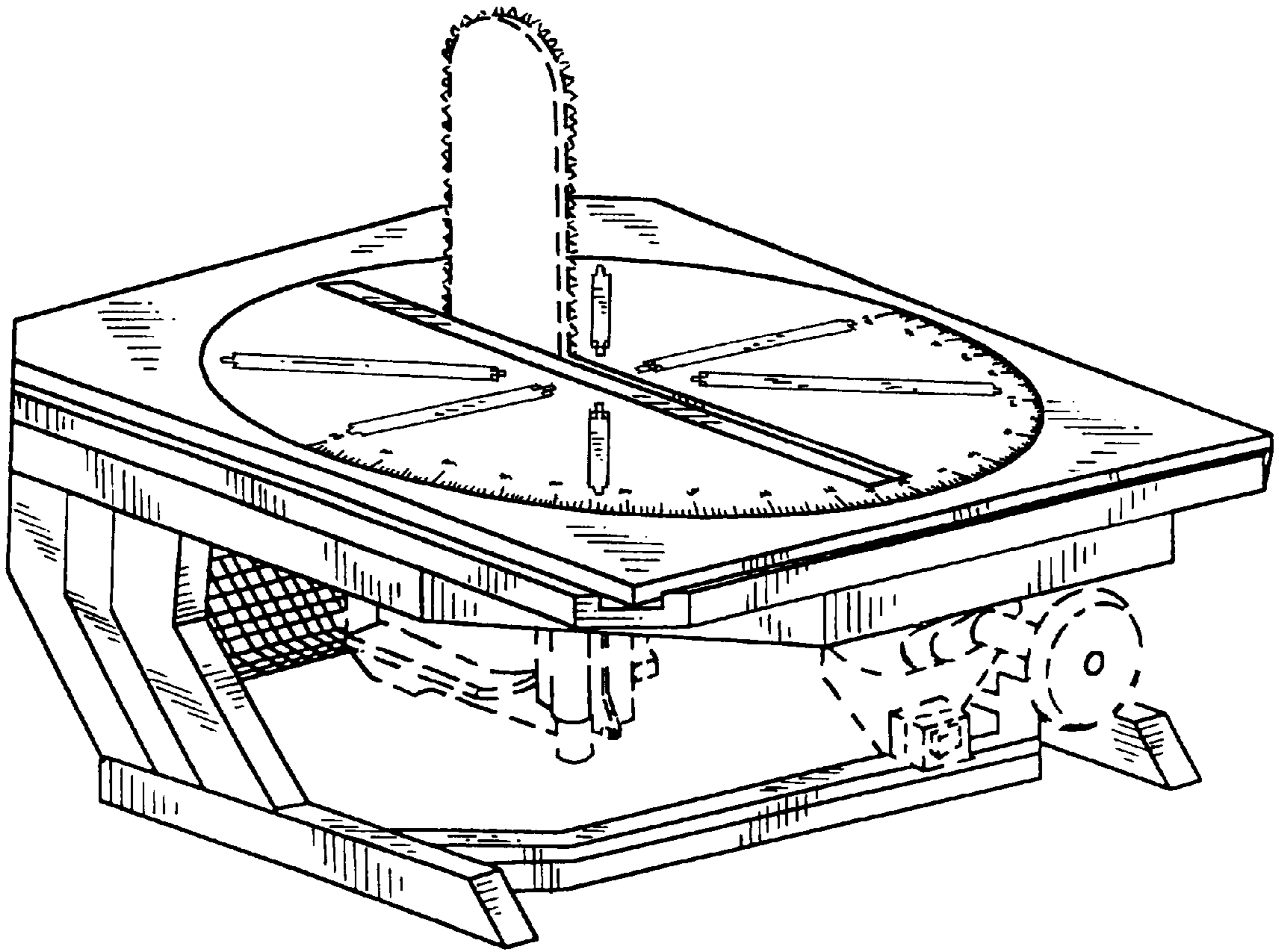


FIG. 9