



US00D424585S

United States Patent [19]

Torrents Comas

[11] Patent Number: **Des. 424,585**

[45] Date of Patent: **** May 9, 2000**

[54] **MACHINE FOR CUTTING AND SEPARATING CERAMIC PIECES**

D. 331,762 12/1992 Matt D15/127
5,560,274 10/1996 Turner 83/886
5,626,124 5/1997 Chen 125/23.02

[75] Inventor: **Josep Torrents Comas**, Rubi, Spain

[73] Assignee: **Germans Boada, S.A.**, Spain

[**] Term: **14 Years**

Primary Examiner—Antoine Duval Davis
Attorney, Agent, or Firm—Ostrolenk, Faber, Gerb & Soffen, LLP

[21] Appl. No.: **29/096,278**

[57] **CLAIM**

[22] Filed: **Nov. 9, 1998**

The ornamental design for a machine for cutting and separating ceramic pieces, as shown and described.

[30] **Foreign Application Priority Data**

DESCRIPTION

May 8, 1998 [ES] Spain 142704

[51] **LOC (7) Cl.** **15-09**

FIG. 1 is a front, left side perspective view of a machine for cutting and separating ceramic pieces showing my new design;

[52] **U.S. Cl.** **D15/127**

FIG. 2 is a rear, right side perspective view thereof; and, FIG. 3 is a top view thereof.

[58] **Field of Search** D8/98; D15/127, D15/133; 125/23.02, 23.01; 33/32.2; 225/96.5, 96, 103; 83/468, 468.2, 886

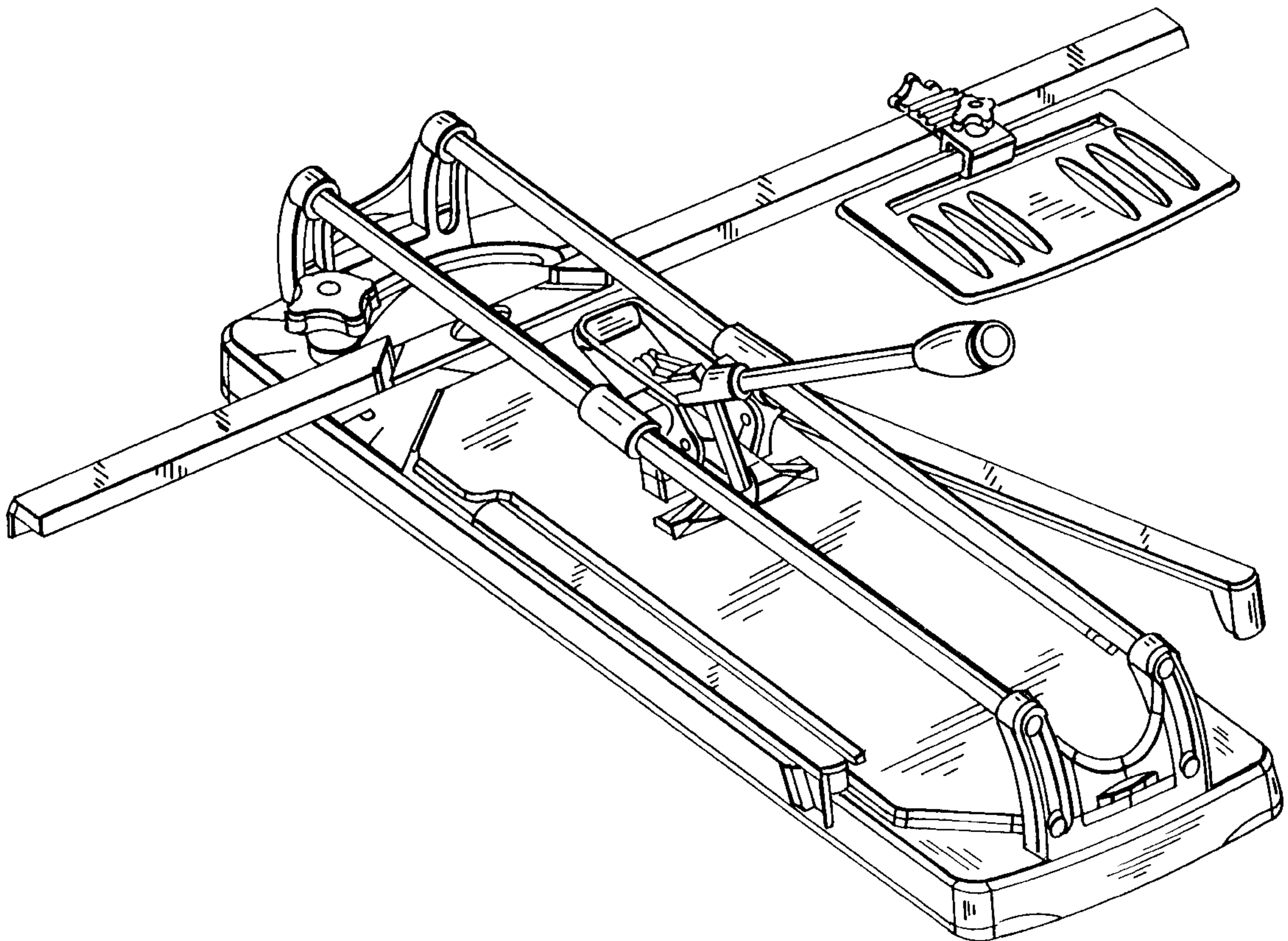
The bottom is plain and unornamented and not shown.

[56] **References Cited**

U.S. PATENT DOCUMENTS

D. 291,578 8/1987 Hepworth D15/127

1 Claim, 3 Drawing Sheets



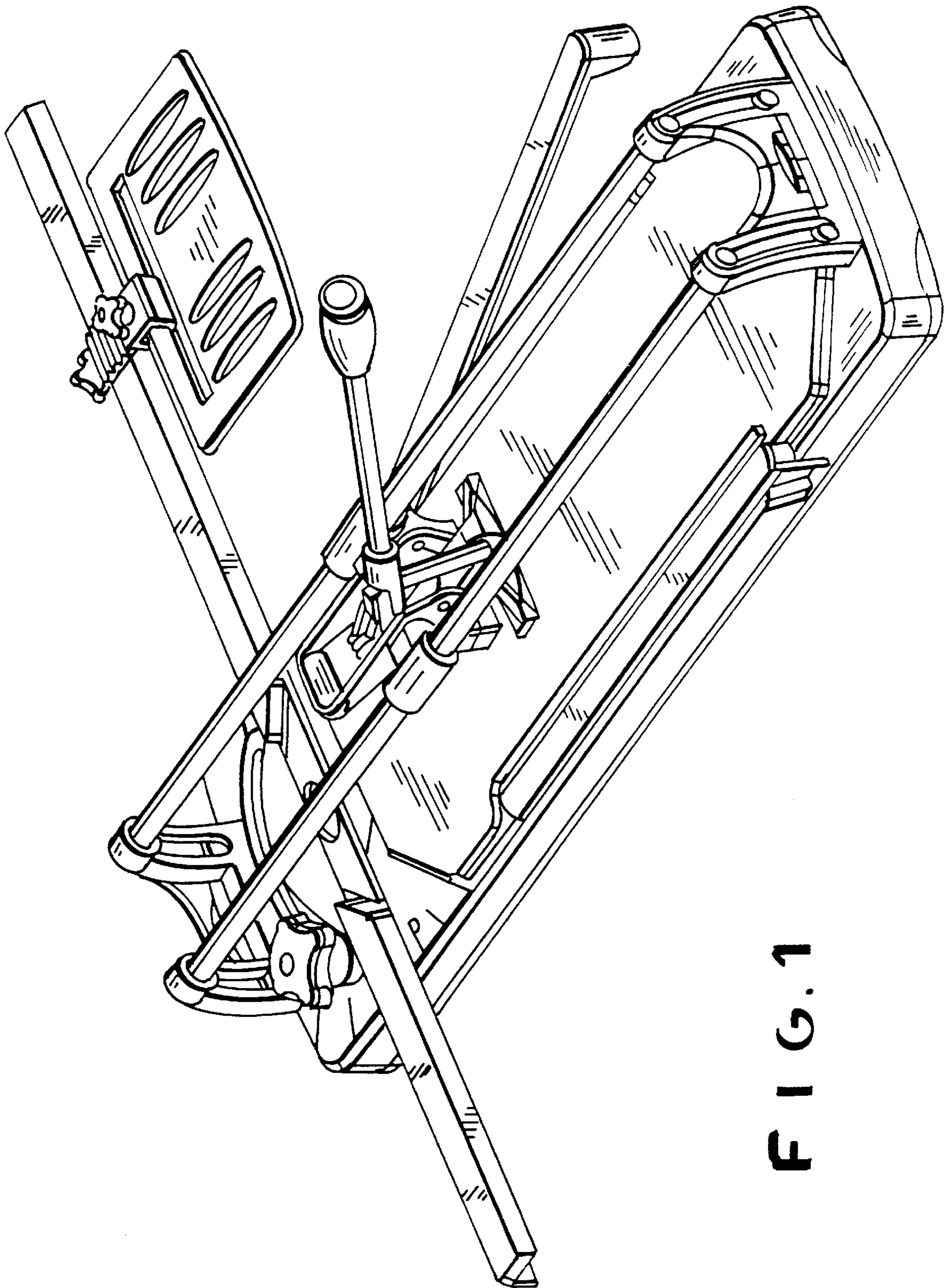


FIG. 1

FIG. 2

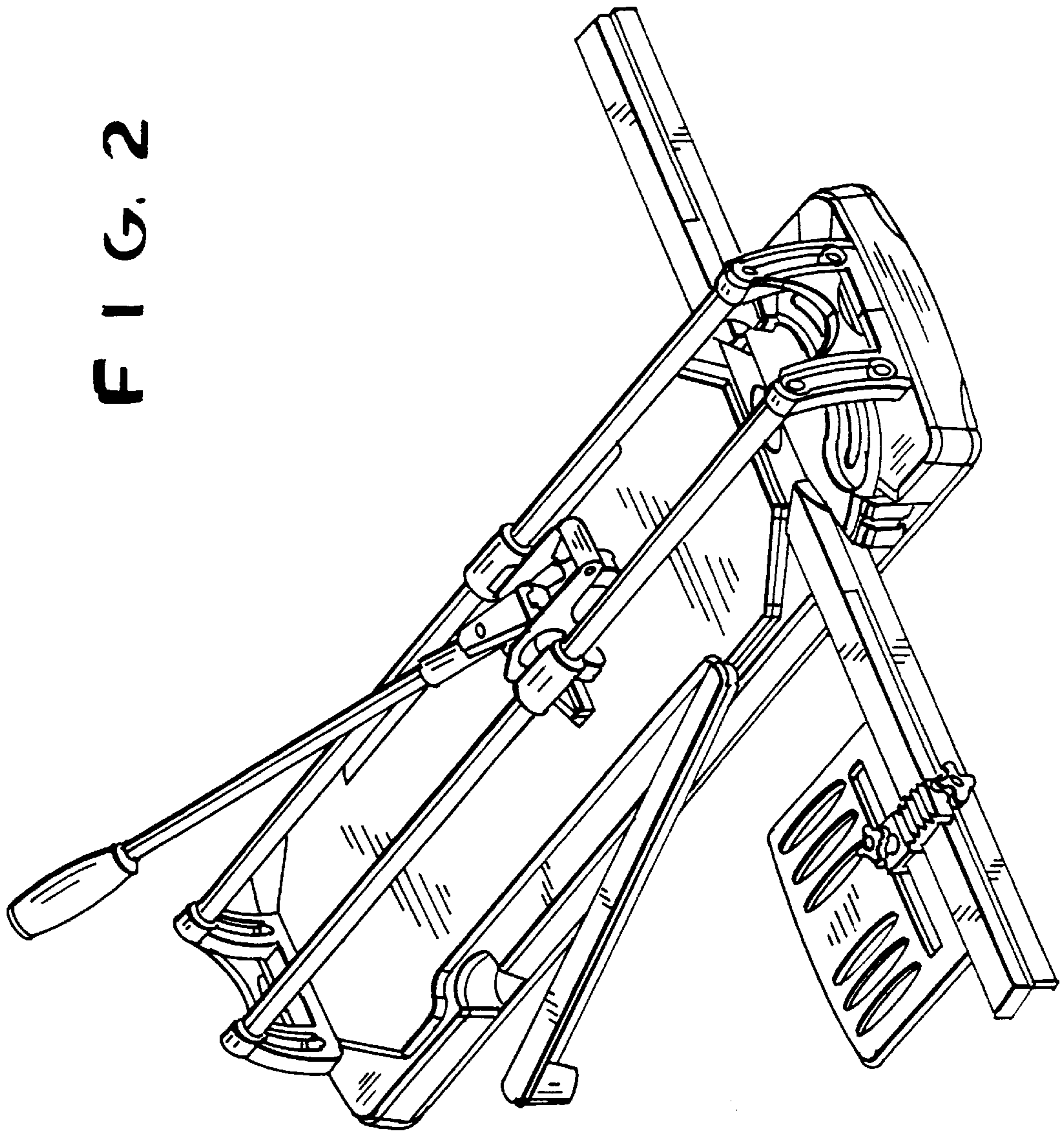


FIG. 3

