



US00D424584S

United States Patent [19]

Kawahara et al.

[11] Patent Number: **Des. 424,584**

[45] Date of Patent: **** May 9, 2000**

[54] **LASER BEAM MACHINE**

[75] Inventors: **Kenta Kawahara; Tsukasa Matsuno,**
both of Tokyo, Japan

[73] Assignee: **Mitsubishi Denki Kabushiki Kaisha,**
Tokyo, Japan

[**] Term: **14 Years**

[21] Appl. No.: **29/108,944**

[22] Filed: **Aug. 9, 1999**

[30] Foreign Application Priority Data

Mar. 8, 1999 [JP] Japan 11-005747

[51] **LOC (7) Cl.** **15-09**

[52] **U.S. Cl.** **D15/122**

[58] **Field of Search** D15/122; 219/121.6,
219/121.63, 121.61, 121.62, 121.67, 121.7,
121.76, 121.73, 121.83, 121.85, 121.86,
736, 738

[56] References Cited

U.S. PATENT DOCUMENTS

D. 332,615 1/1993 Fang et al. D15/122

5,464,963 11/1995 Hostler et al. 219/121.82
5,589,089 12/1996 Uesugi 219/121.6
5,591,361 1/1997 Hostler et al. 219/121.82

Primary Examiner—Antoine Duval Davis
Attorney, Agent, or Firm—Oblon, Spivak, McClelland,
Maier & Neustadt, P.C.

[57] CLAIM

The ornamental design for a laser beam machine, as shown and described.

DESCRIPTION

FIG. 1 is a front elevational view of a laser beam machine, showing our new design;
FIG. 2 is a top plan view thereof;
FIG. 3 is a rear elevational view thereof;
FIG. 4 is a bottom plan view thereof;
FIG. 5 is a right side elevational view thereof;
FIG. 6 is a left side elevational view thereof; and,
FIG. 7 is a front, top and left side perspective view thereof.

1 Claim, 4 Drawing Sheets

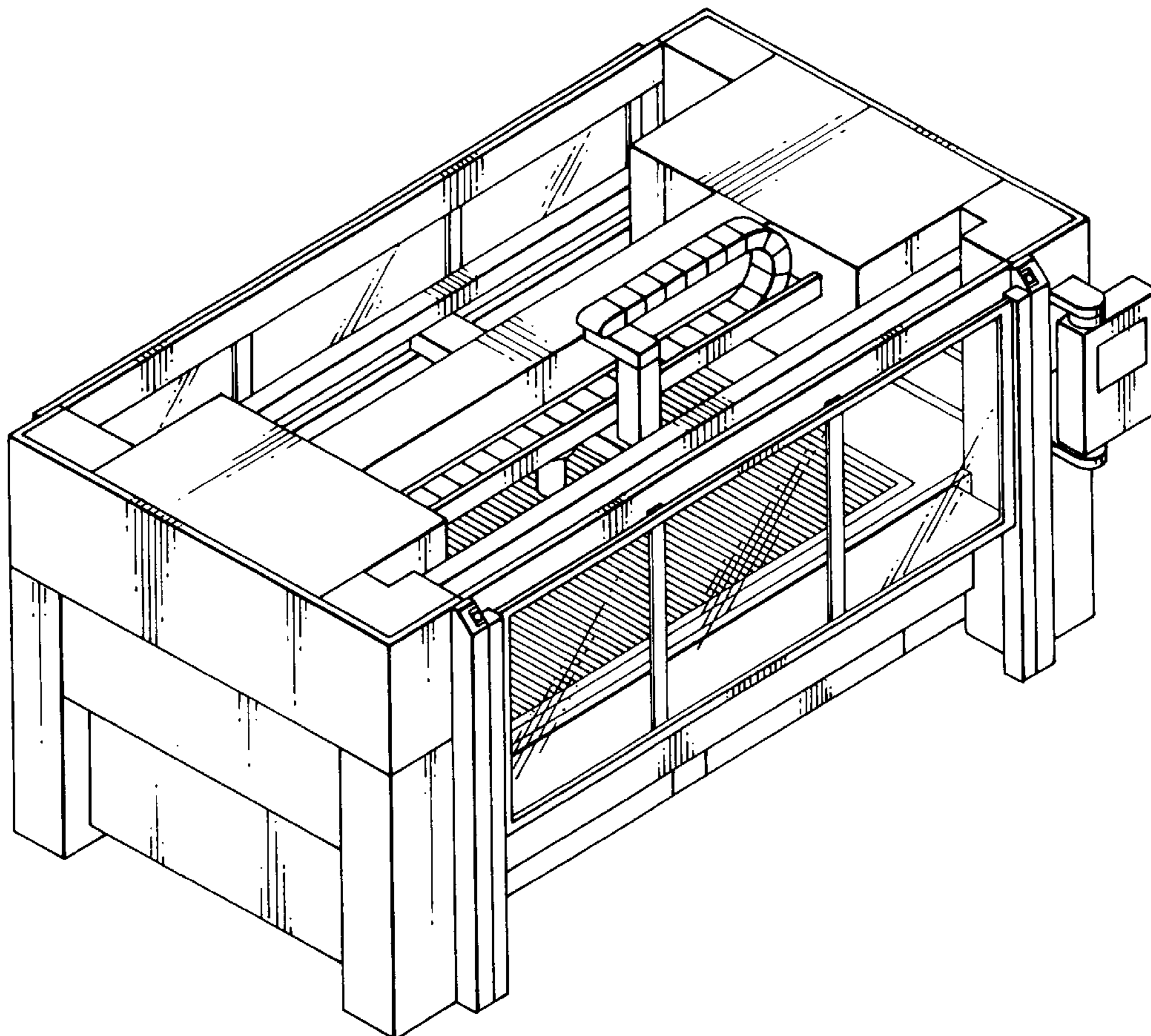


FIG. 1

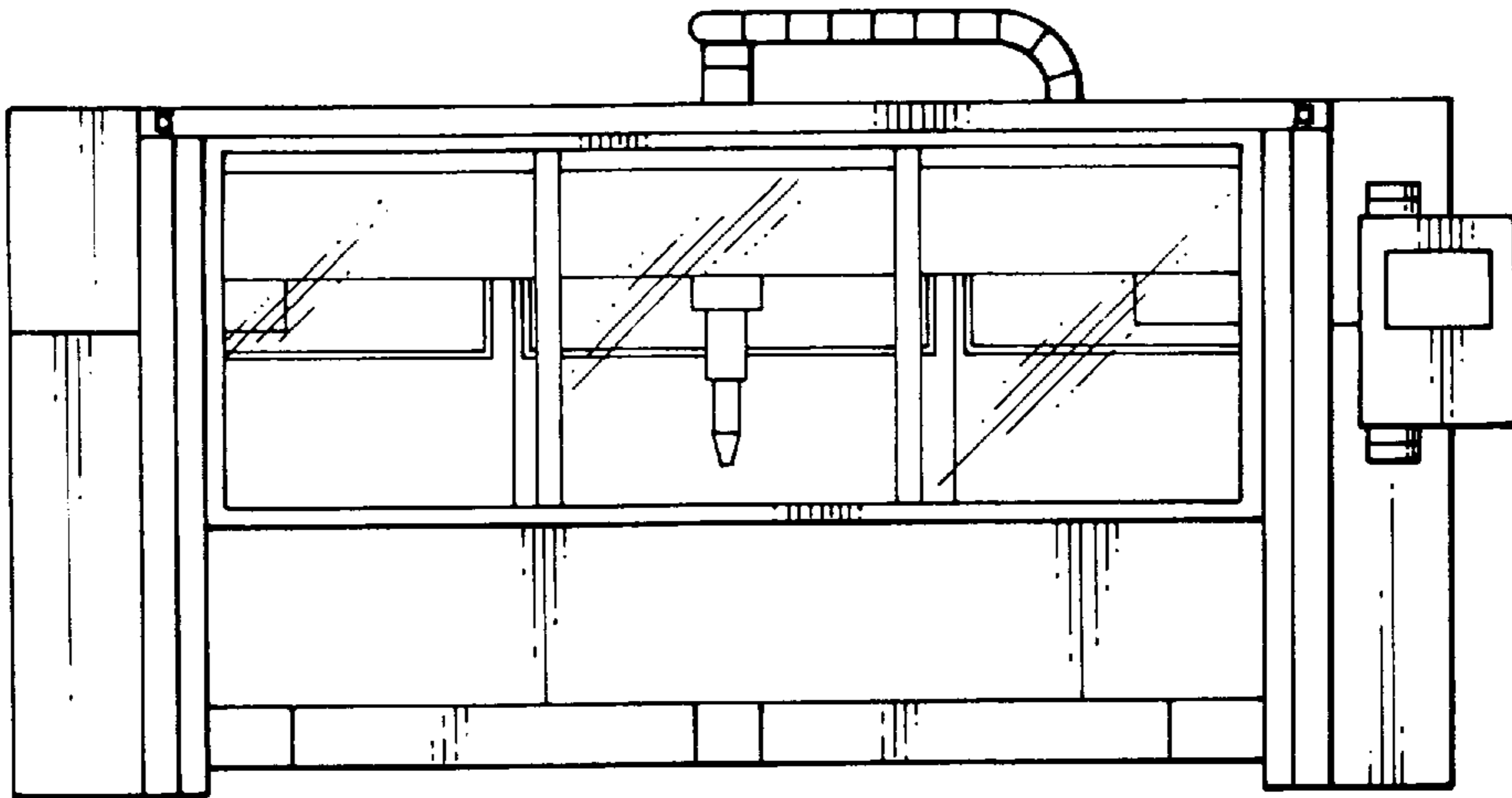


FIG. 2

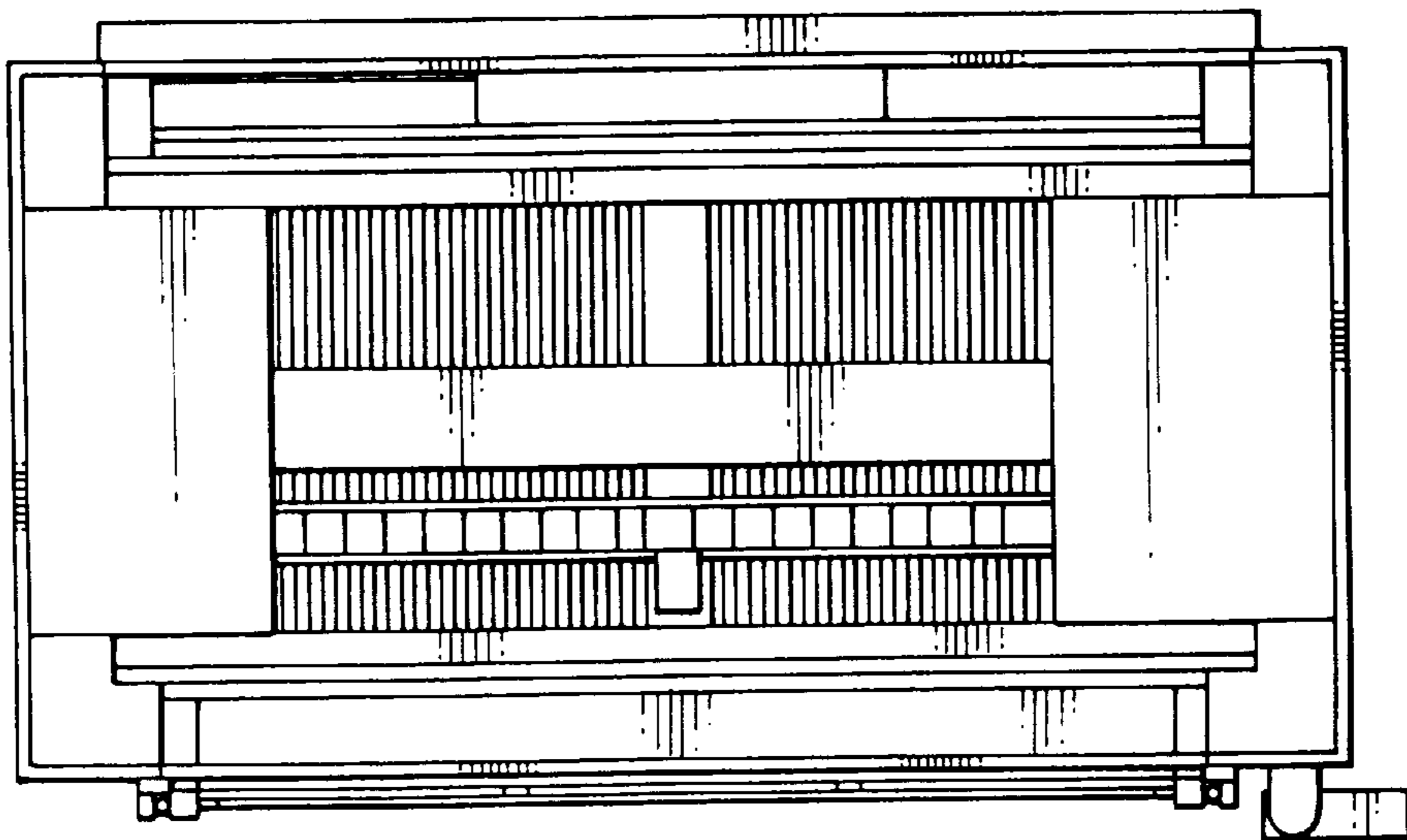


FIG. 3

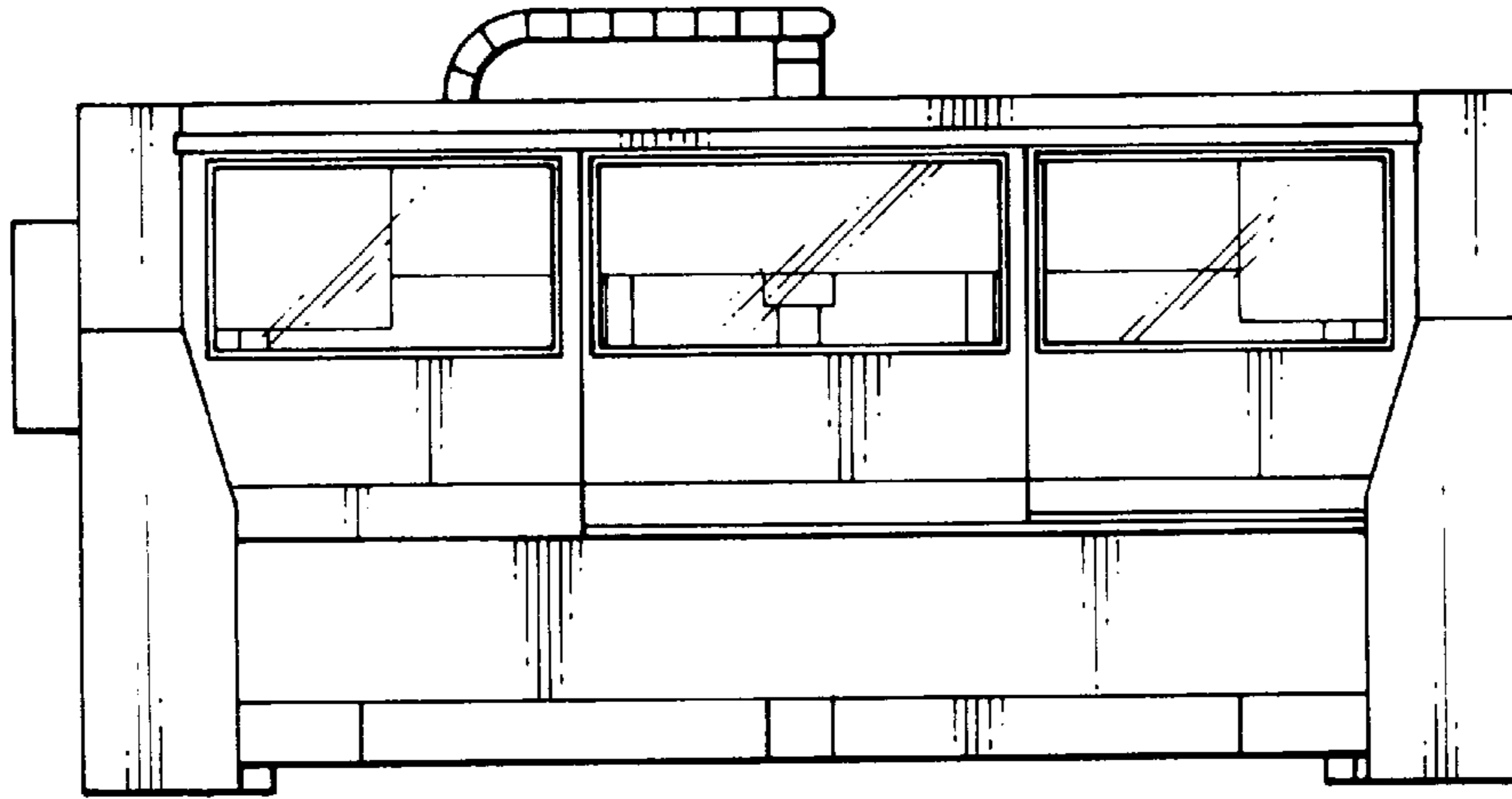


FIG. 4

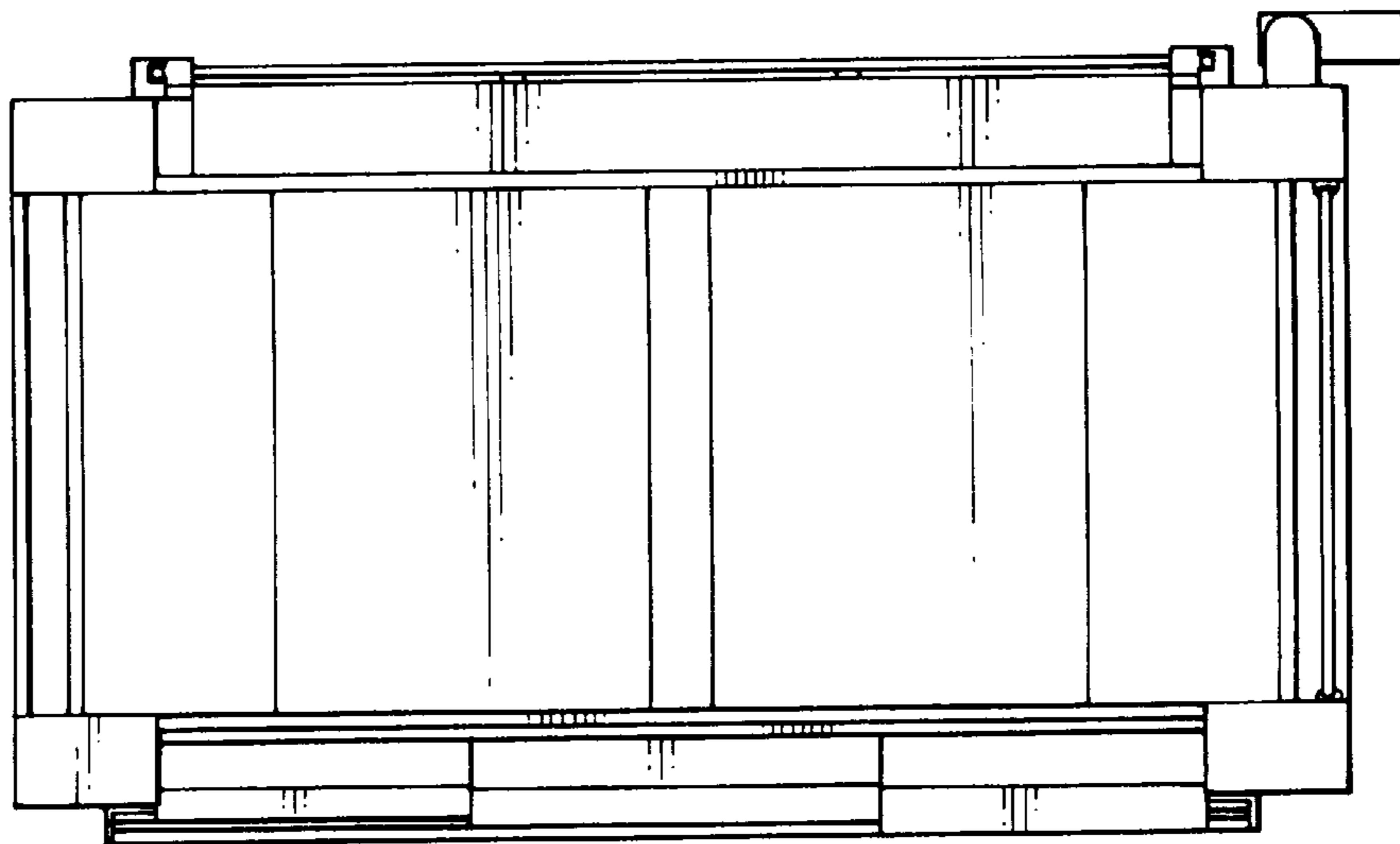


FIG. 5

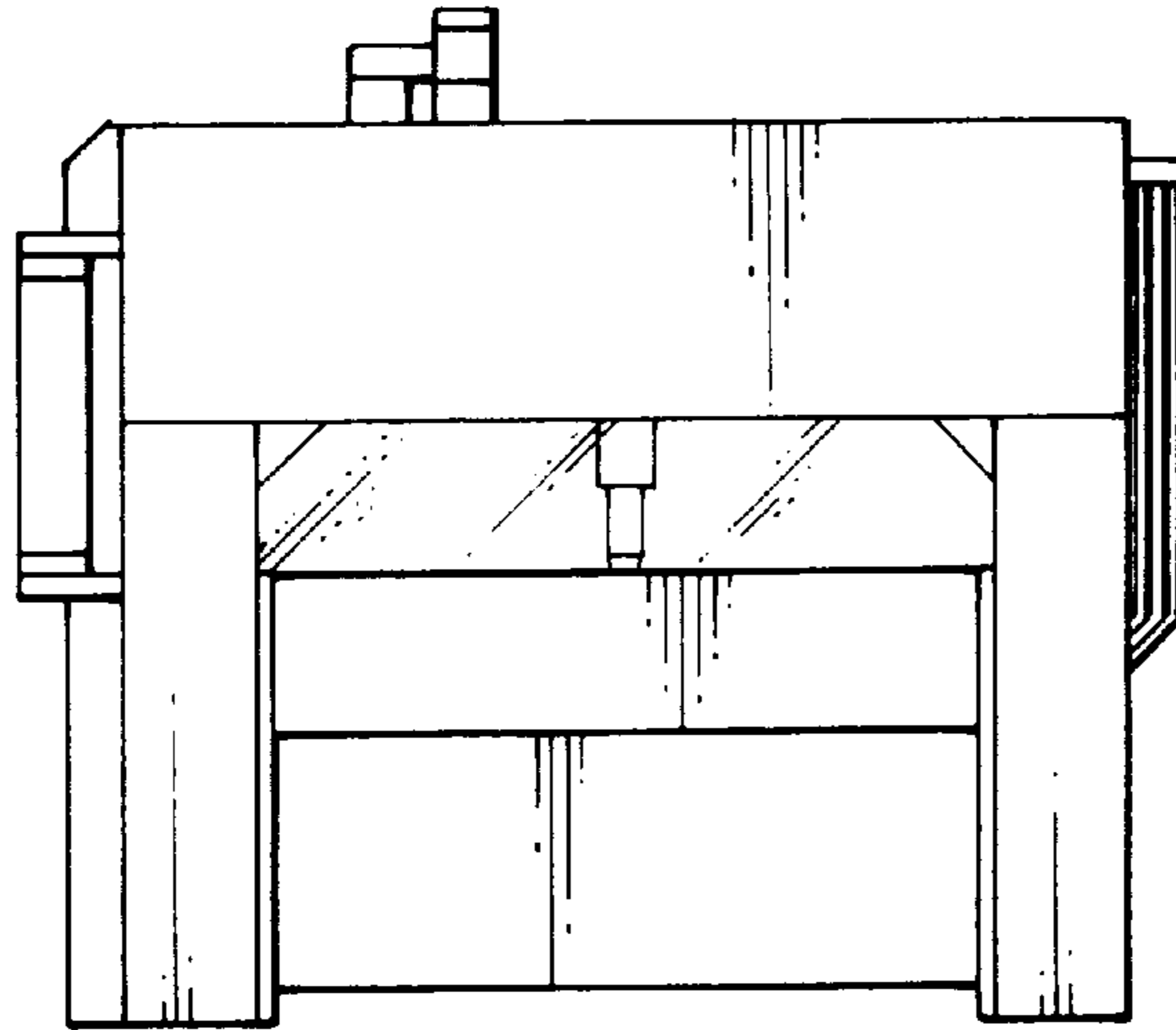


FIG. 6

