



US00D424581S

United States Patent [19]

[11] Patent Number: Des. 424,581

Morita et al.

[45] Date of Patent: ** May 9, 2000

[54] WORK MACHINE FOR POWER SHOVEL

[75] Inventors: Izuru Morita; Yoshihiro Sekiguchi, both of Tokyo, Japan

[73] Assignee: Shin Caterpillar Mitsubishi Ltd., Tokyo, Japan

[**] Term: 14 Years

[21] Appl. No.: 29/085,138

[22] Filed: Mar. 17, 1998

[51] LOC (7) Cl. 15-04

[52] U.S. Cl. D15/24

[58] Field of Search D15/10, 22-26; 414/694, 698, 699

[56] References Cited

U.S. PATENT DOCUMENTS

D. 309,313	7/1990	Takashima et al.	D15/25
D. 312,468	11/1990	Masumoto et al.	D15/25
D. 354,497	1/1995	Kusunoki et al.	D15/25
D. 383,470	9/1997	Ishizaki et al.	D15/25
D. 387,360	12/1997	Ishizaki et al.	D15/25
4,728,251	3/1988	Takashima et al.	414/694
4,771,855	9/1988	Takashima et al.	180/326
5,108,253	4/1992	Kobayashi et al.	414/694

Primary Examiner—Sandra L. Morris
Attorney, Agent, or Firm—Oliff & Berridge, PLC

[57] CLAIM

The ornamental design for work machine for power shovel, as shown and described.

DESCRIPTION

FIG. 1 is a front view of a first embodiment of a work machine for power shovel;
FIG. 2 is a rear view thereof;

FIG. 3 is a top view thereof;

FIG. 4 is a bottom view thereof;

FIG. 5 is a left side view thereof;

FIG. 6 is a right side view thereof;

FIG. 7 is a right side view of the first embodiment of the work machine for power shovel, also illustrating a bucket and dozer mounted as exemplary front attachments to the front of the work machine for power shovel. However, the design details of the bucket and dozer of FIG. 7 are hereby disclaimed and form no part of the claimed design;

FIG. 8 is a front view of a second embodiment of a work machine for power shovel, which includes a canopy mounted on the work machine for power shovel of the first embodiment, and which includes front, right side and left side guardrails and right and left side panels mounted on the work machine machine for power shovel of the first embodiment;

FIG. 9 is a rear view thereof;

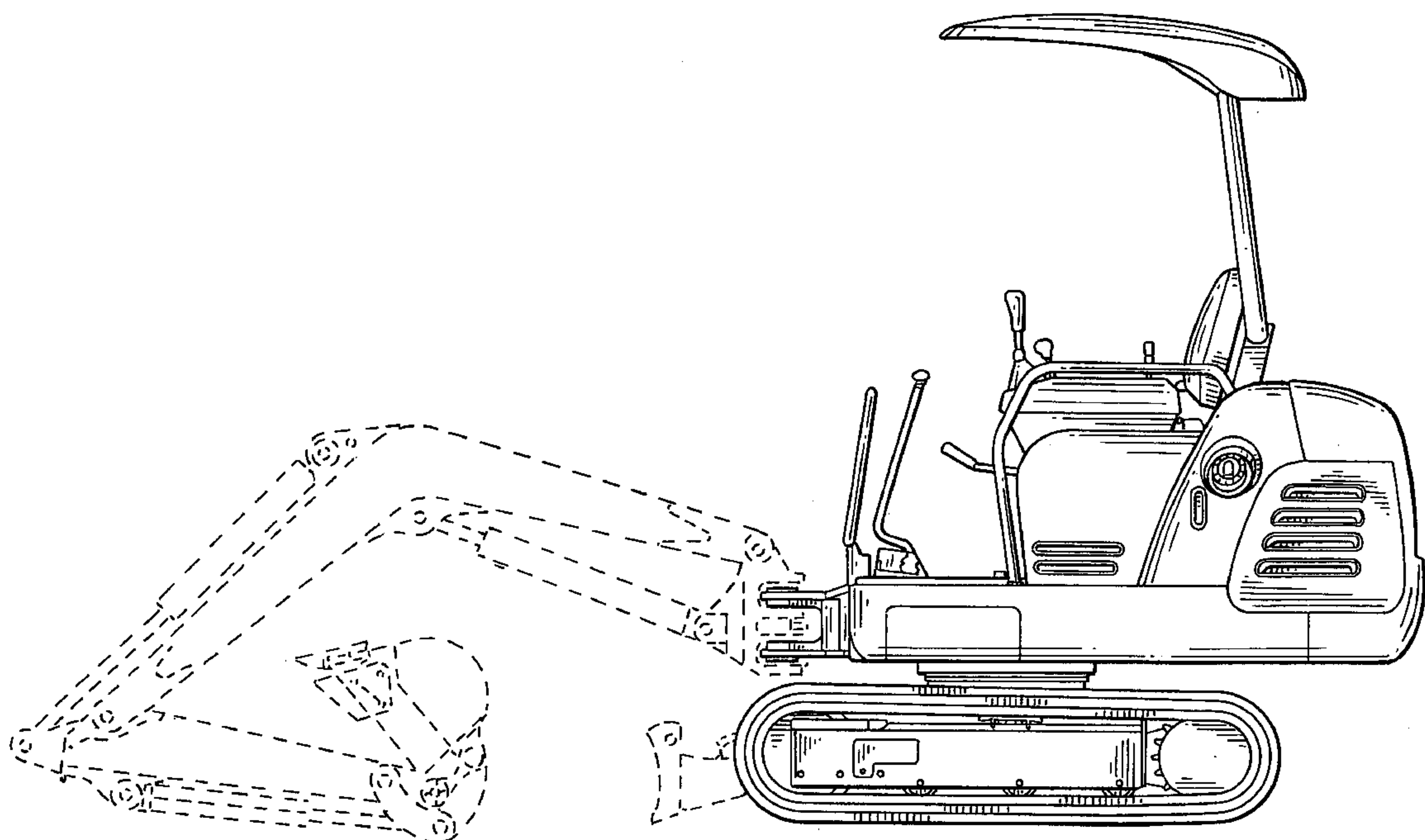
FIG. 10 is a top view thereof, the bottom view being the same as FIG. 4;

FIG. 11 is a left side view thereof;

FIG. 12 is a right side view thereof; and,

FIG. 13 is a right side view of the work machine for power shovel of the second embodiment, also illustrating a bucket and dozer mounted as exemplary front attachments to the front of the work machine for power shovel. However, the design details of the bucket and dozer of FIG. 13 are hereby disclaimed and form no part of the claimed design.

1 Claim, 13 Drawing Sheets



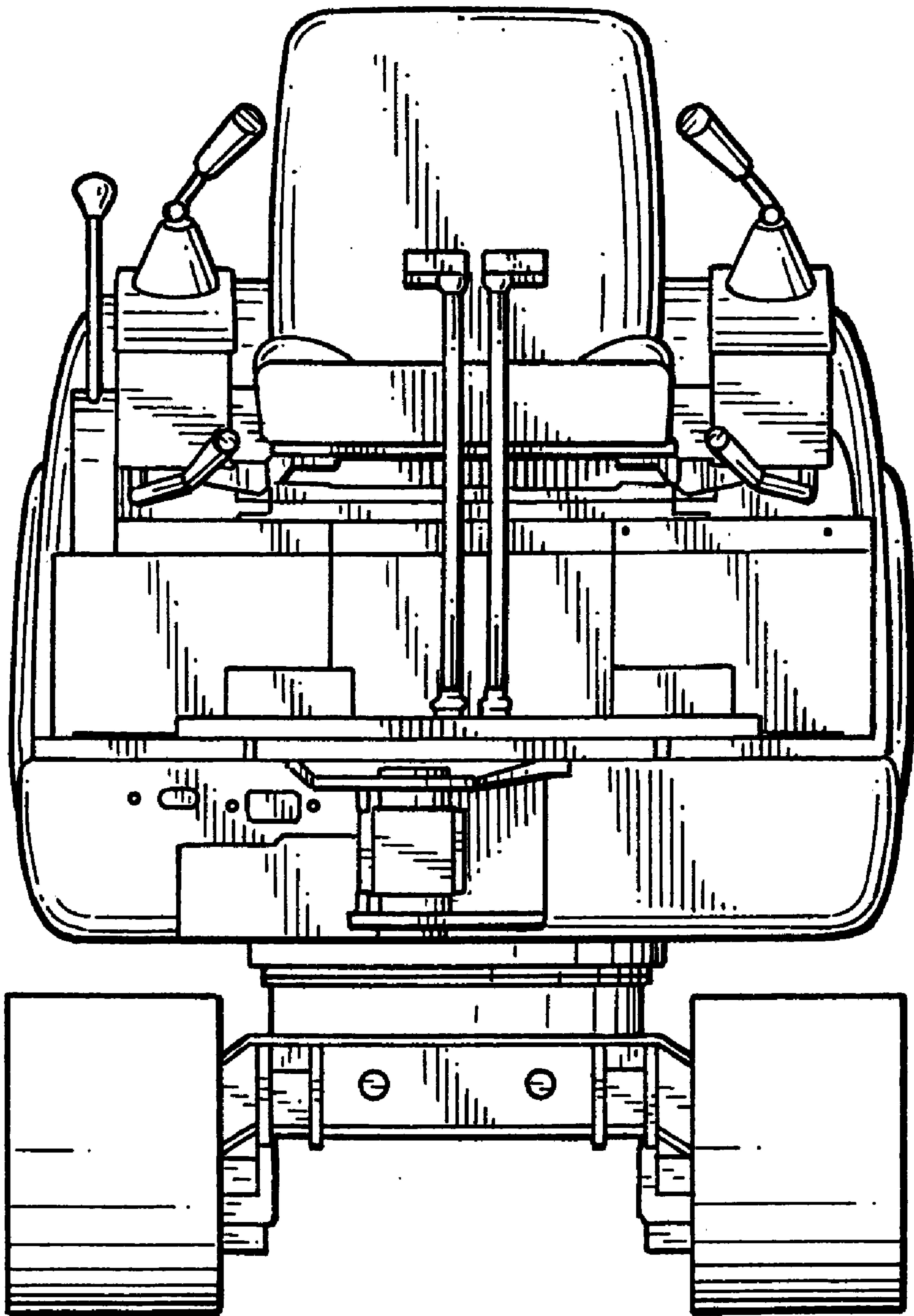


FIG. 1

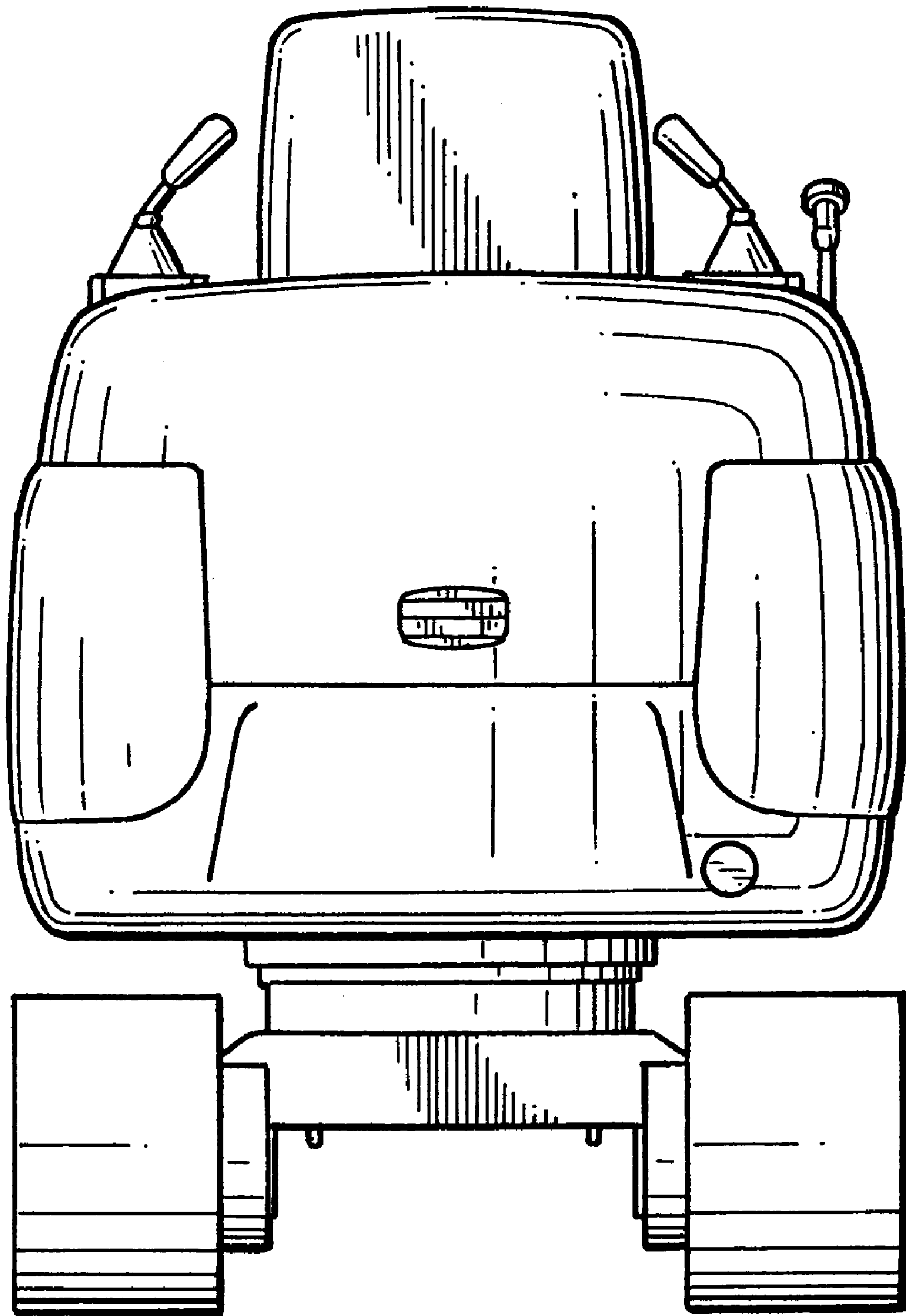


FIG. 2

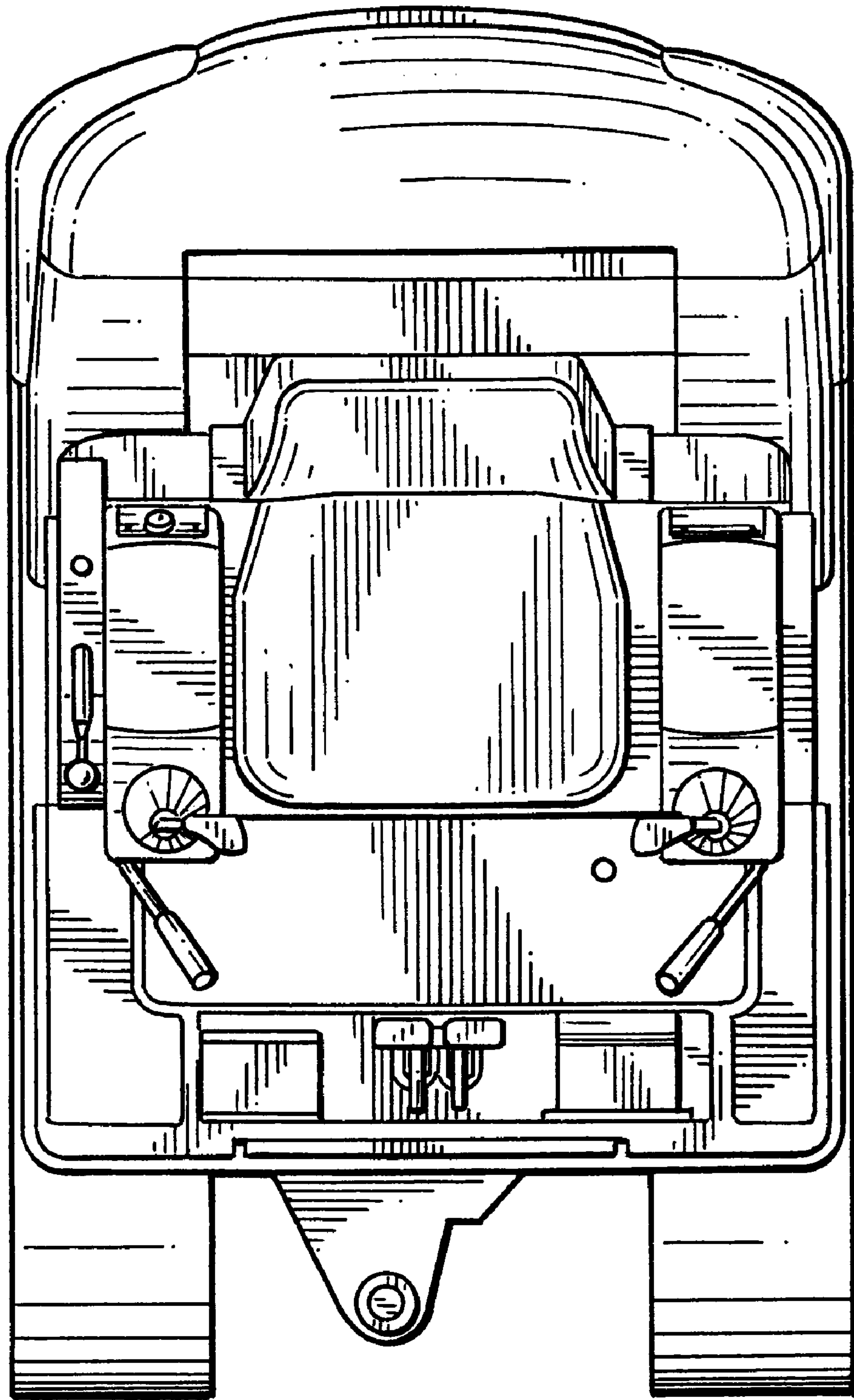


FIG. 3

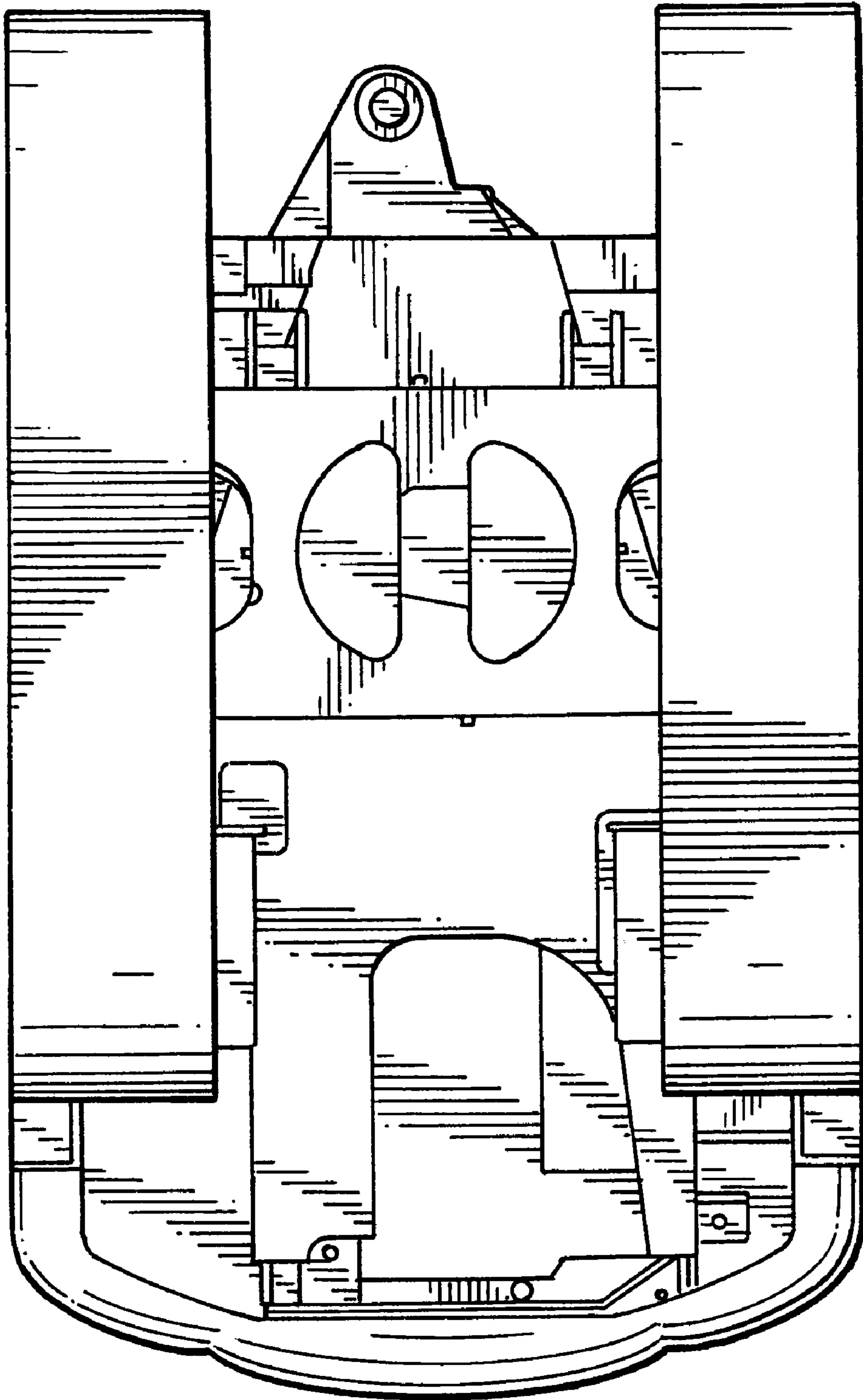


FIG. 4

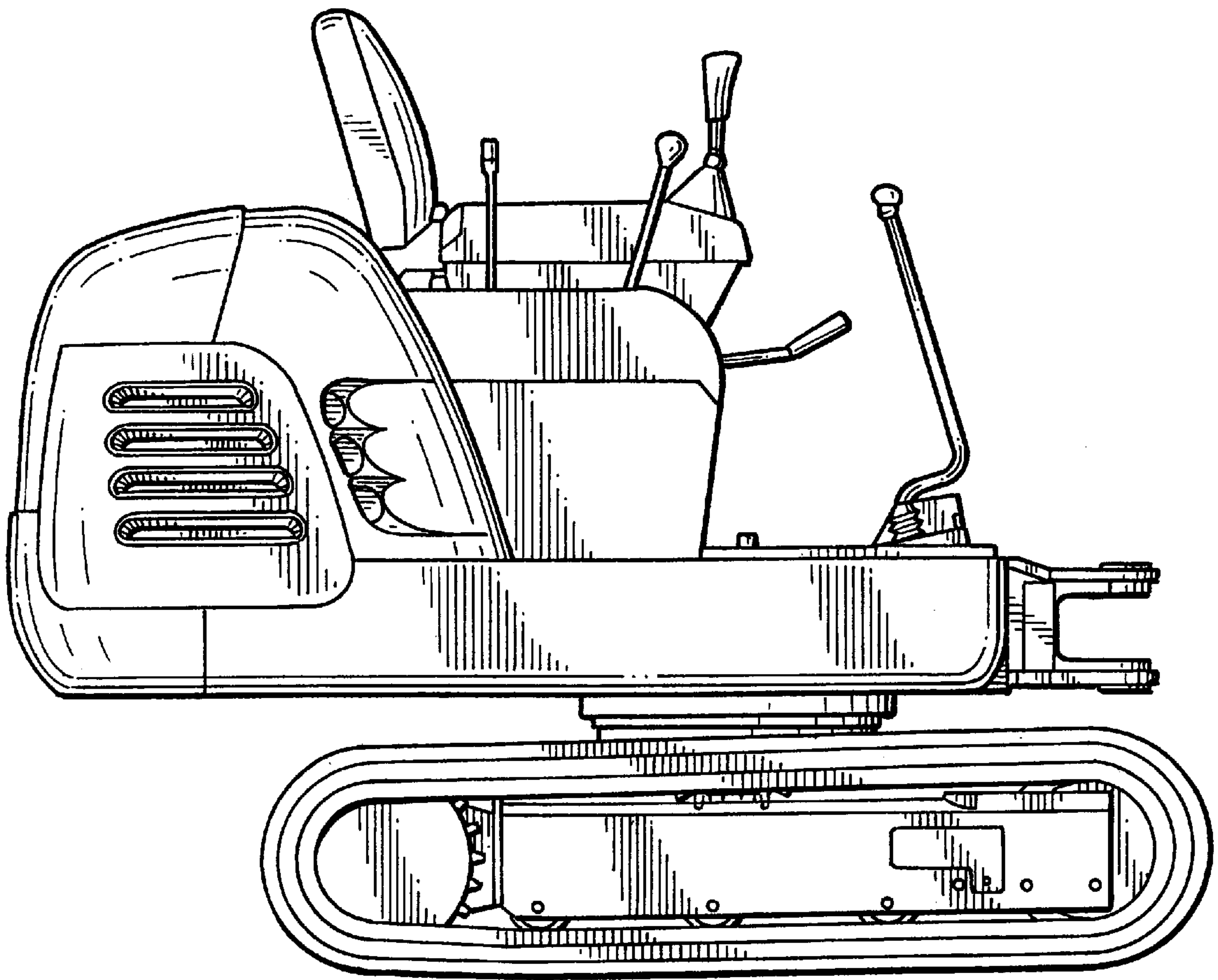


FIG. 5

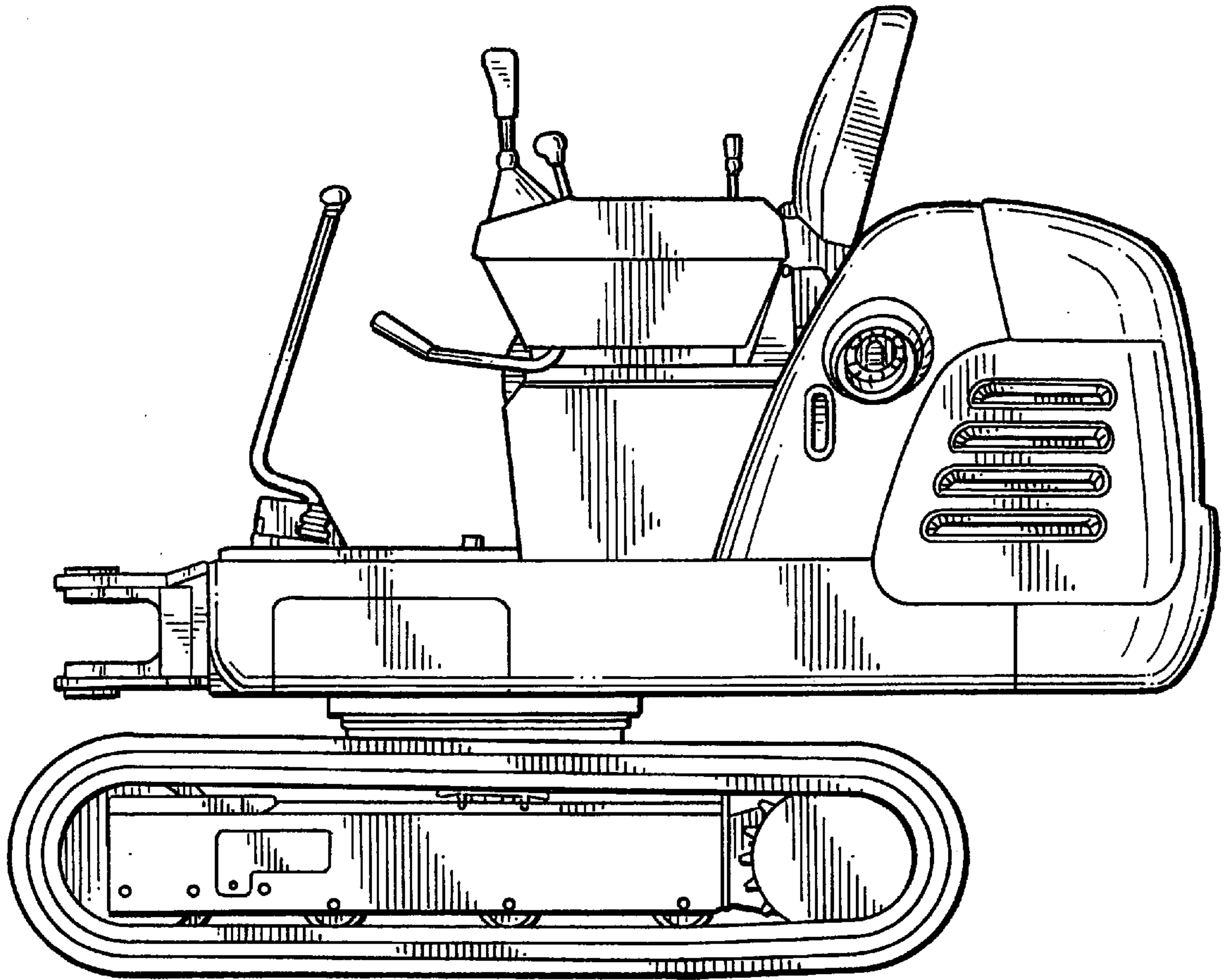


FIG. 6

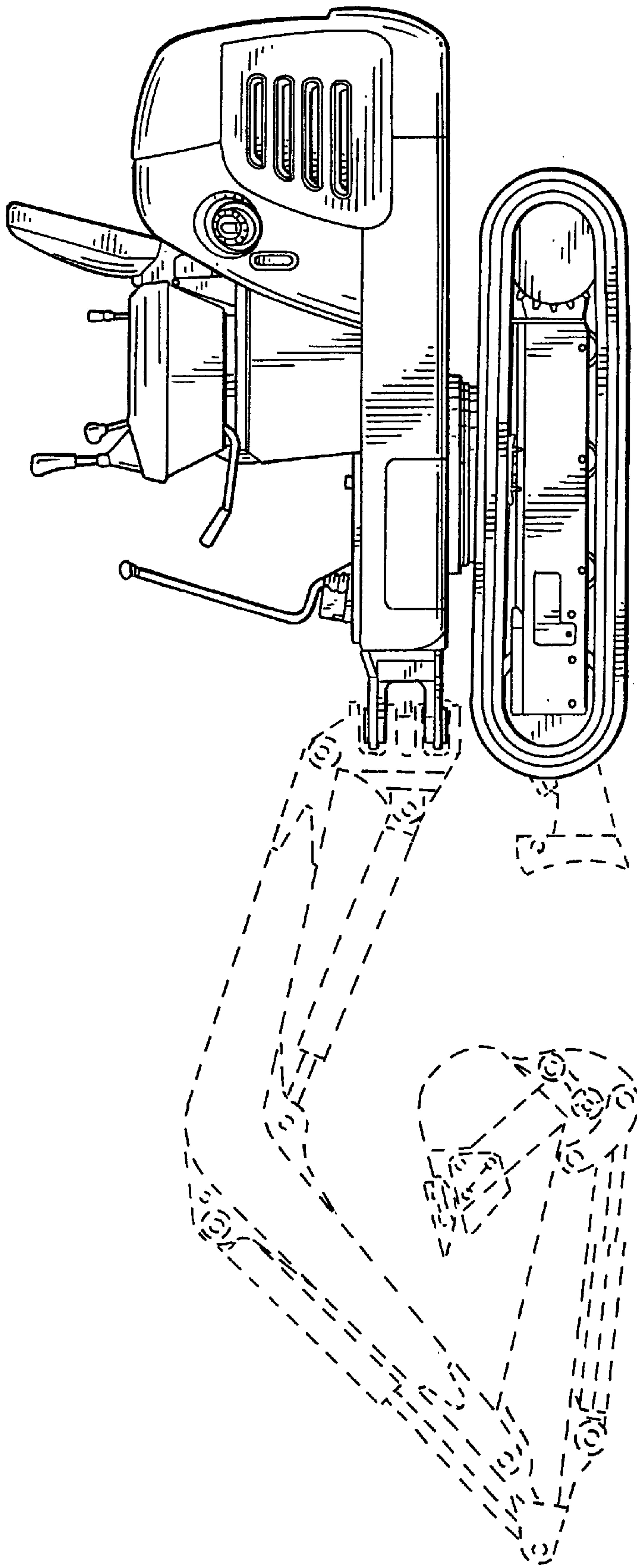


FIG. 7

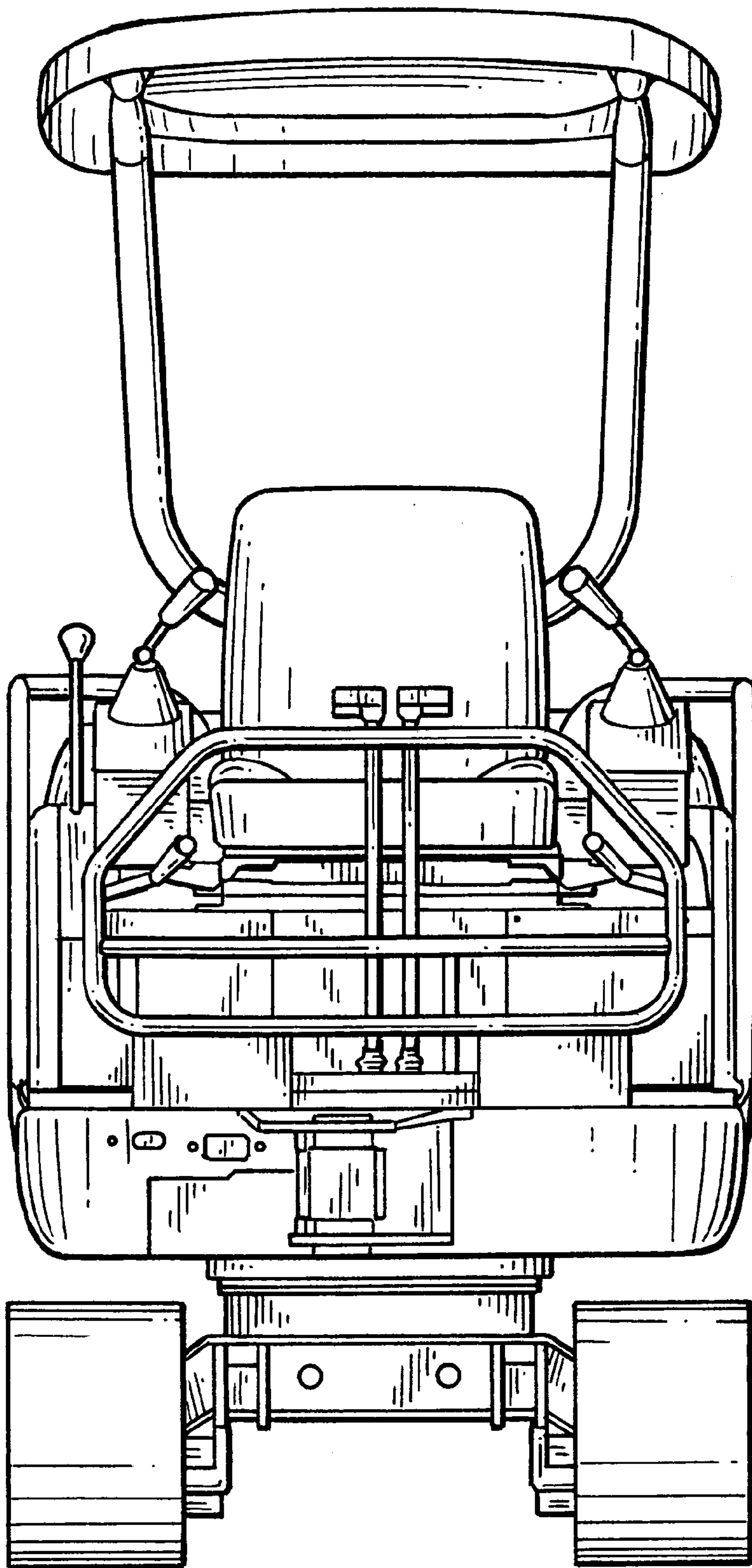


FIG. 8

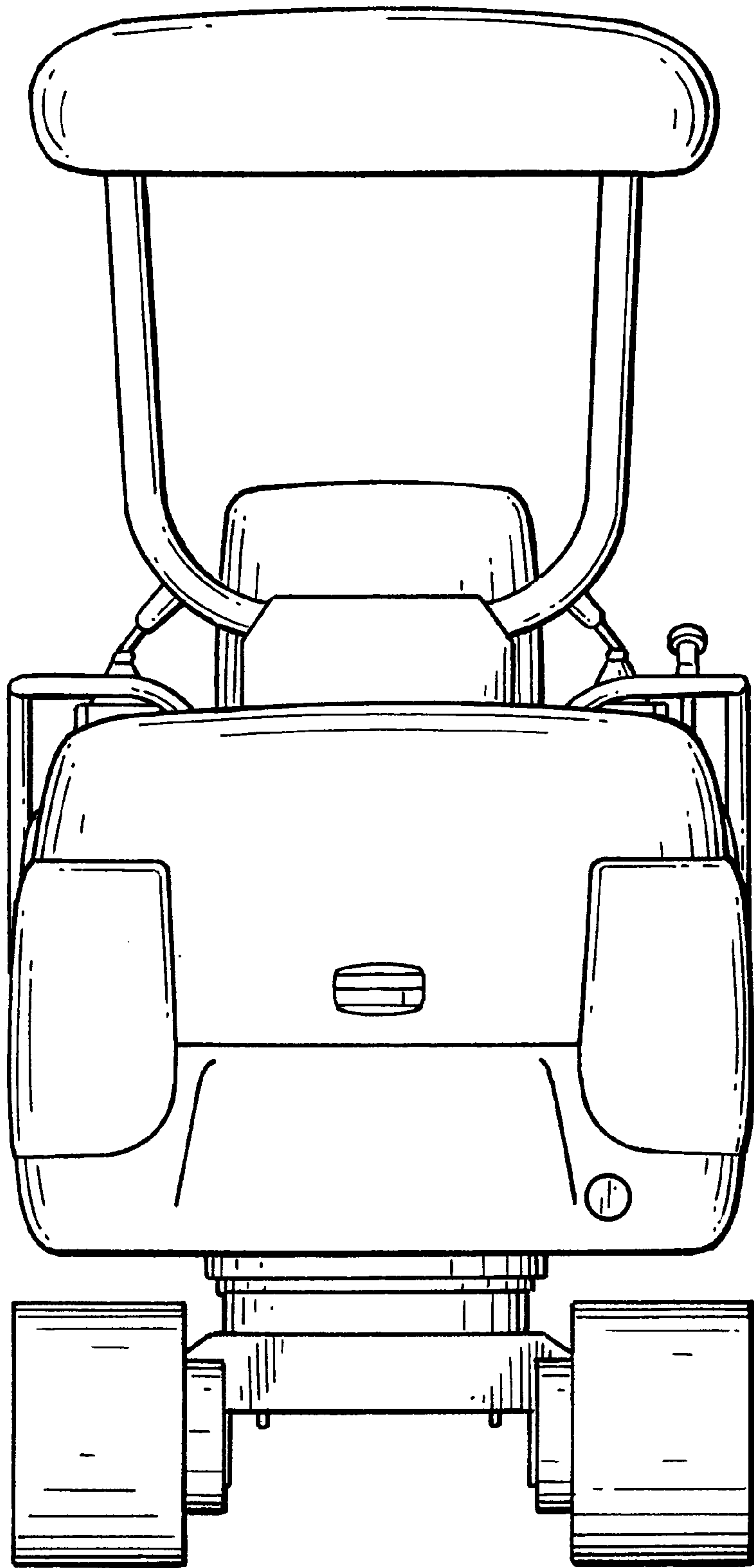


FIG. 9

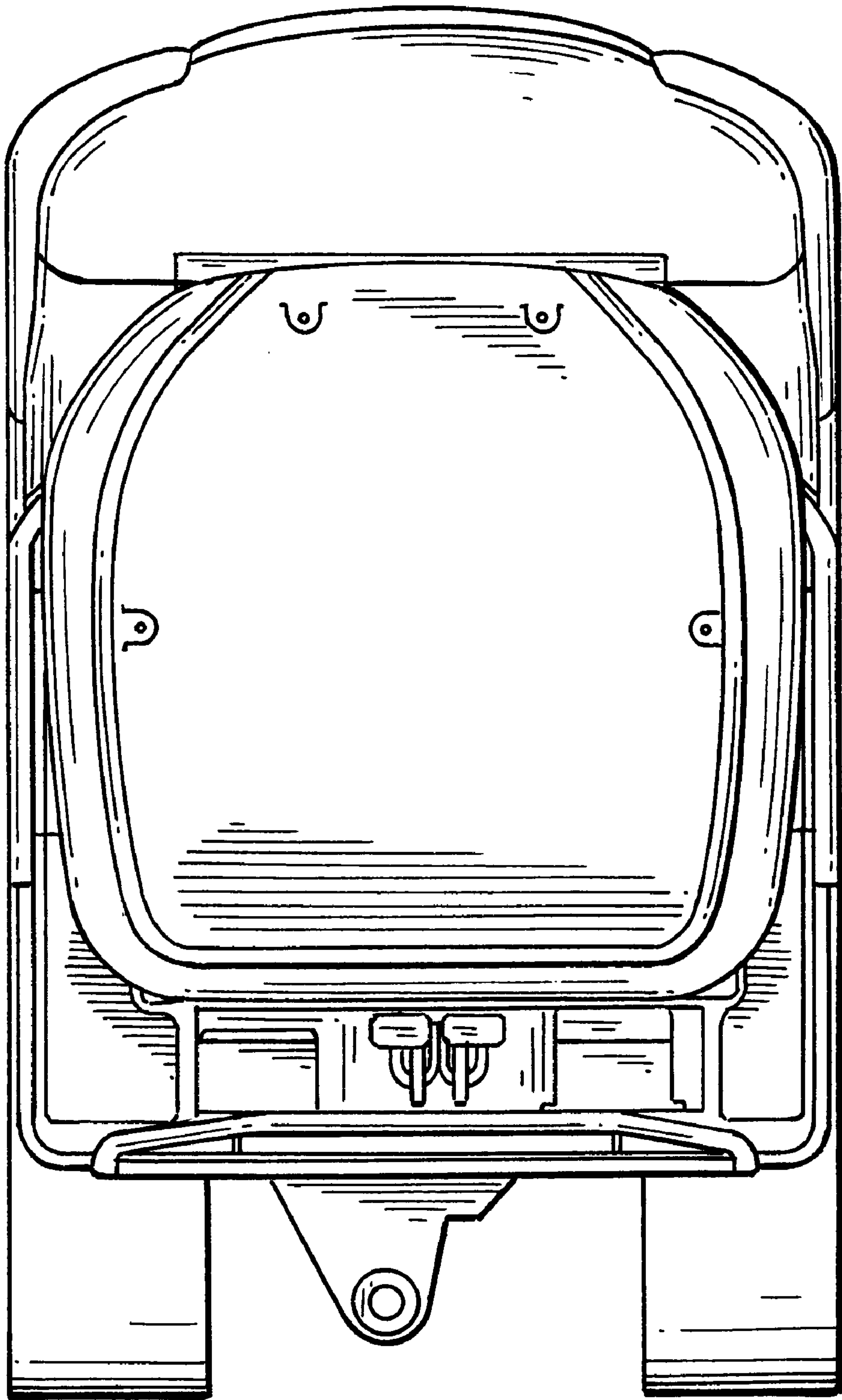


FIG. 10

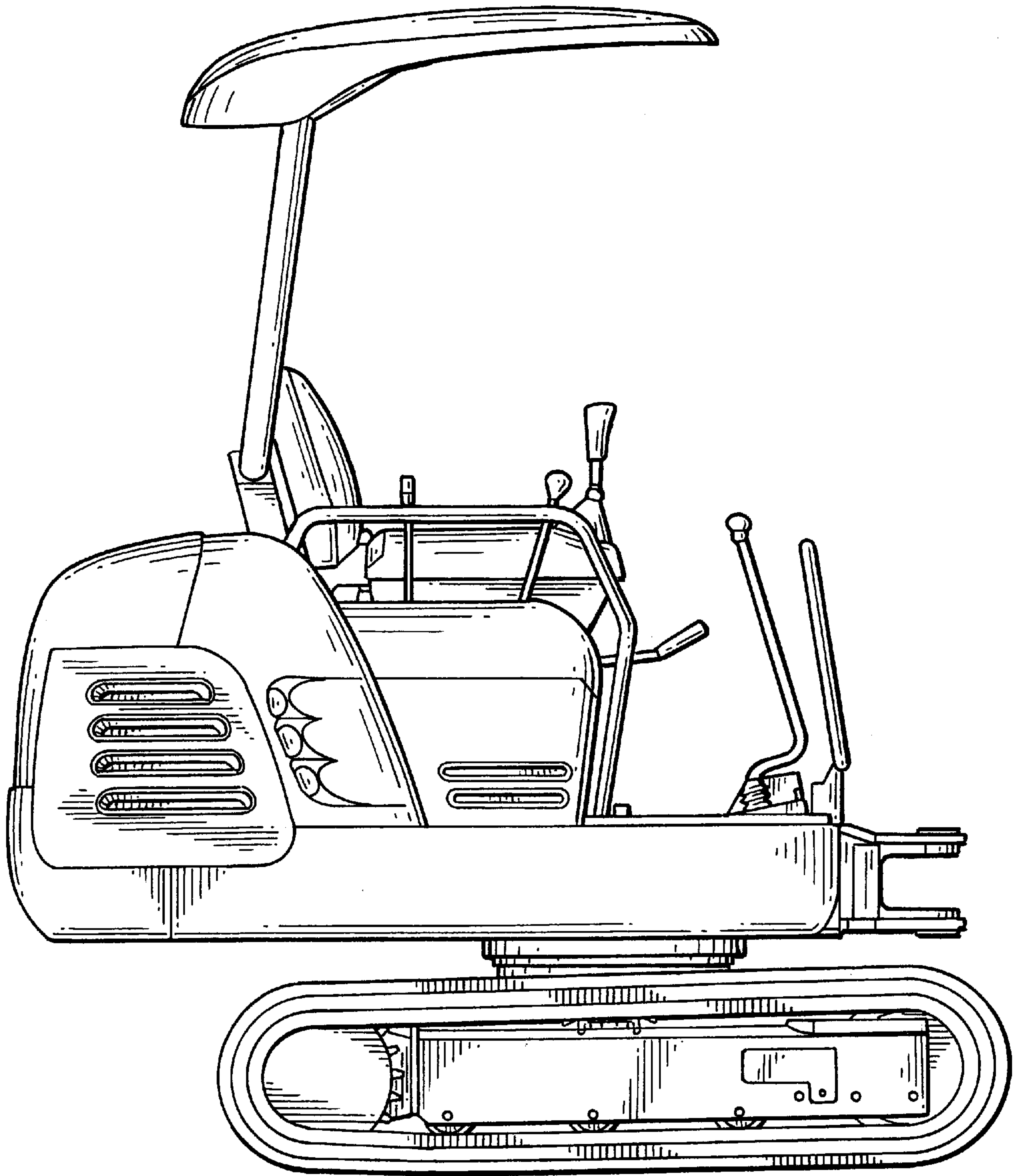


FIG. 11

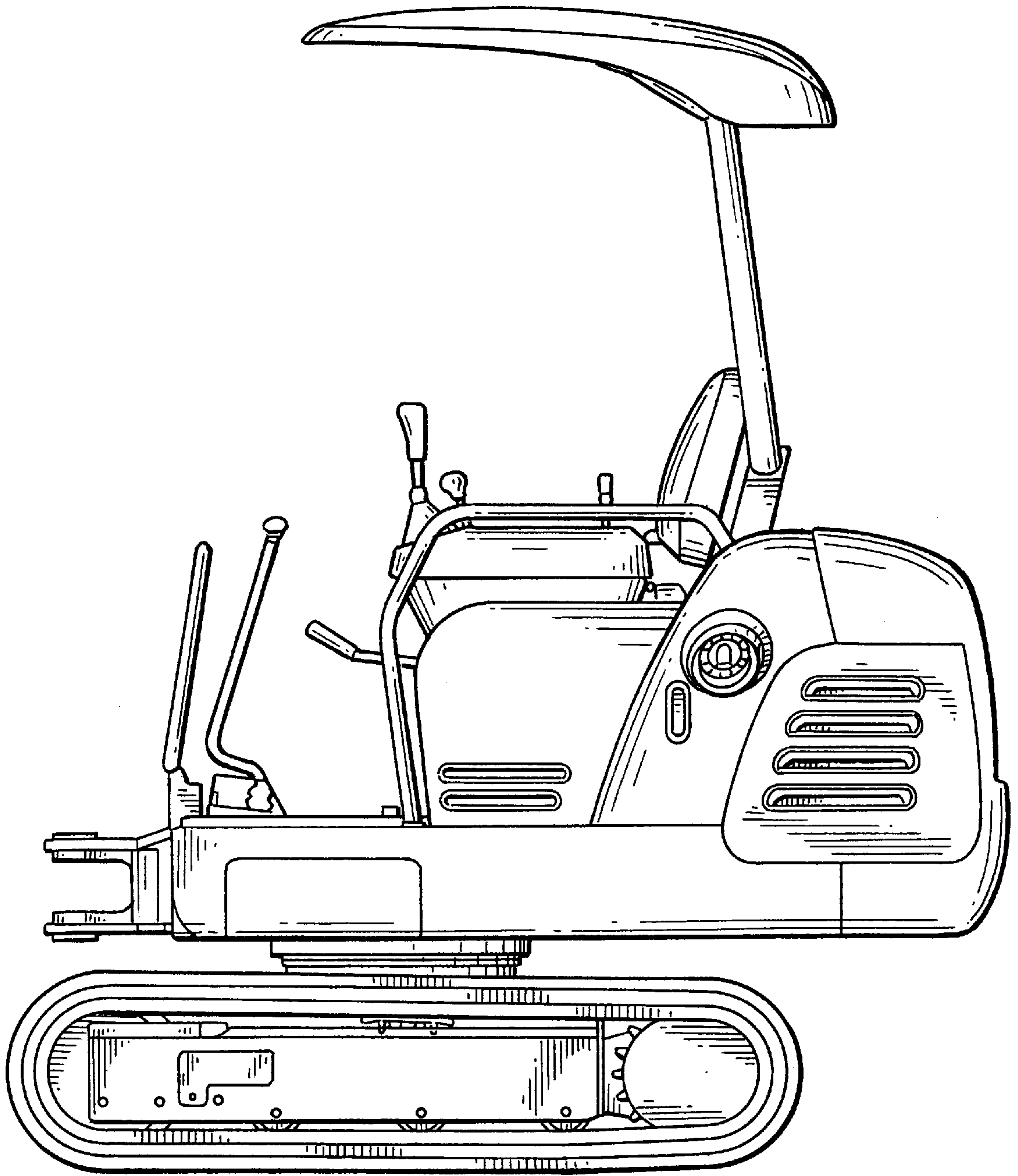


FIG. 12

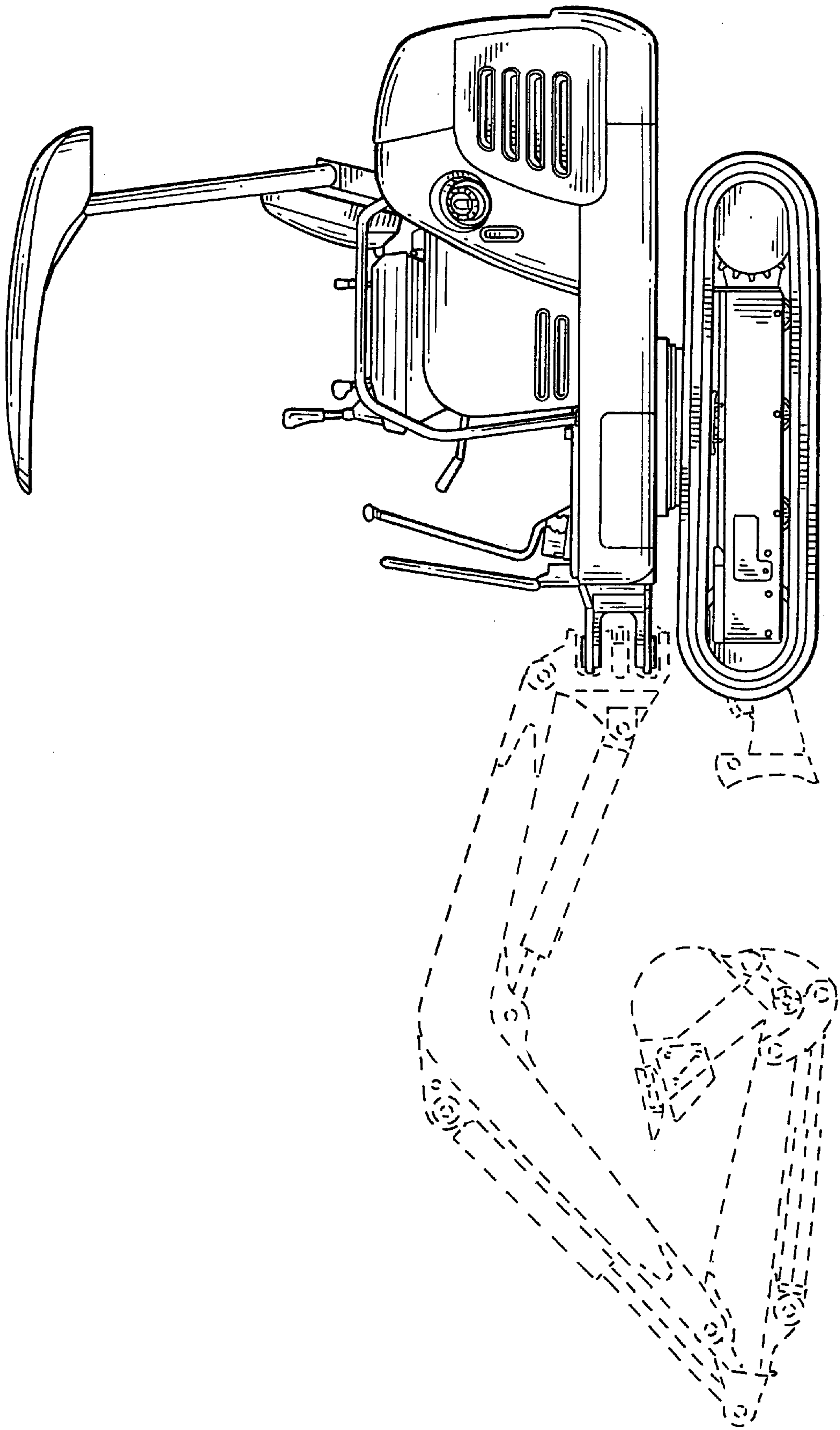


FIG. 13