



US00D424570S

United States Patent [19]

[11] **Patent Number: Des. 424,570**

Hockett et al.

[45] **Date of Patent: ** May 9, 2000**

[54] **ANTENNA**

[75] Inventors: **Mark E. Hockett**, Santa Cruz; **Steven J. Riede**, Long Beach, both of Calif.

[73] Assignee: **Magnadyne Corporation**, Compton, Calif.

[**] Term: **14 Years**

[21] Appl. No.: **29/111,340**

[22] Filed: **Sep. 24, 1999**

[51] **LOC (7) Cl.** **14-03**

[52] **U.S. Cl.** **D14/238; D8/355**

[58] **Field of Search** D14/230-238; 343/878, 713, 715, 880, 882; 248/514, 515, 535, 539, 230, 218.4, 291.1; D11/181, 182; D8/354, 355; D22/147

[56] **References Cited**

U.S. PATENT DOCUMENTS

D. 158,122	4/1950	Pennington	D14/238
D. 201,694	7/1965	Spindler	D22/147
D. 269,945	8/1983	Carney	D8/355
D. 340,676	10/1993	Gallagher	D11/182
D. 348,886	7/1994	Watanabe	D14/238
D. 357,922	5/1995	Nysether et al.	D14/238
D. 363,936	11/1995	Nysether et al.	D14/238
D. 383,967	9/1997	DeMars	D8/354
D. 394,486	5/1998	O'Neill	D22/147
2,212,253	8/1940	Stief	.	
2,850,305	9/1958	Chadowski et al.	.	
3,453,618	7/1969	Ukmar et al.	.	
4,058,811	11/1977	Gauss et al.	.	

4,066,324	1/1978	Stephens	.	
4,086,596	4/1978	Gauss et al.	.	
4,184,162	1/1980	Grashow	.	
5,238,589	8/1993	Blevins	343/715
5,298,907	3/1994	Klein	343/715
5,349,361	9/1994	Egashira et al.	.	
5,374,024	12/1994	Williams	248/514
5,734,356	3/1998	Chang	343/882

Primary Examiner—Louis S. Zarfaz
Assistant Examiner—Greg Andoll
Attorney, Agent, or Firm—Brooks & Kushman P.C.

[57] **CLAIM**

The ornamental design for an antenna, as shown and described.

DESCRIPTION

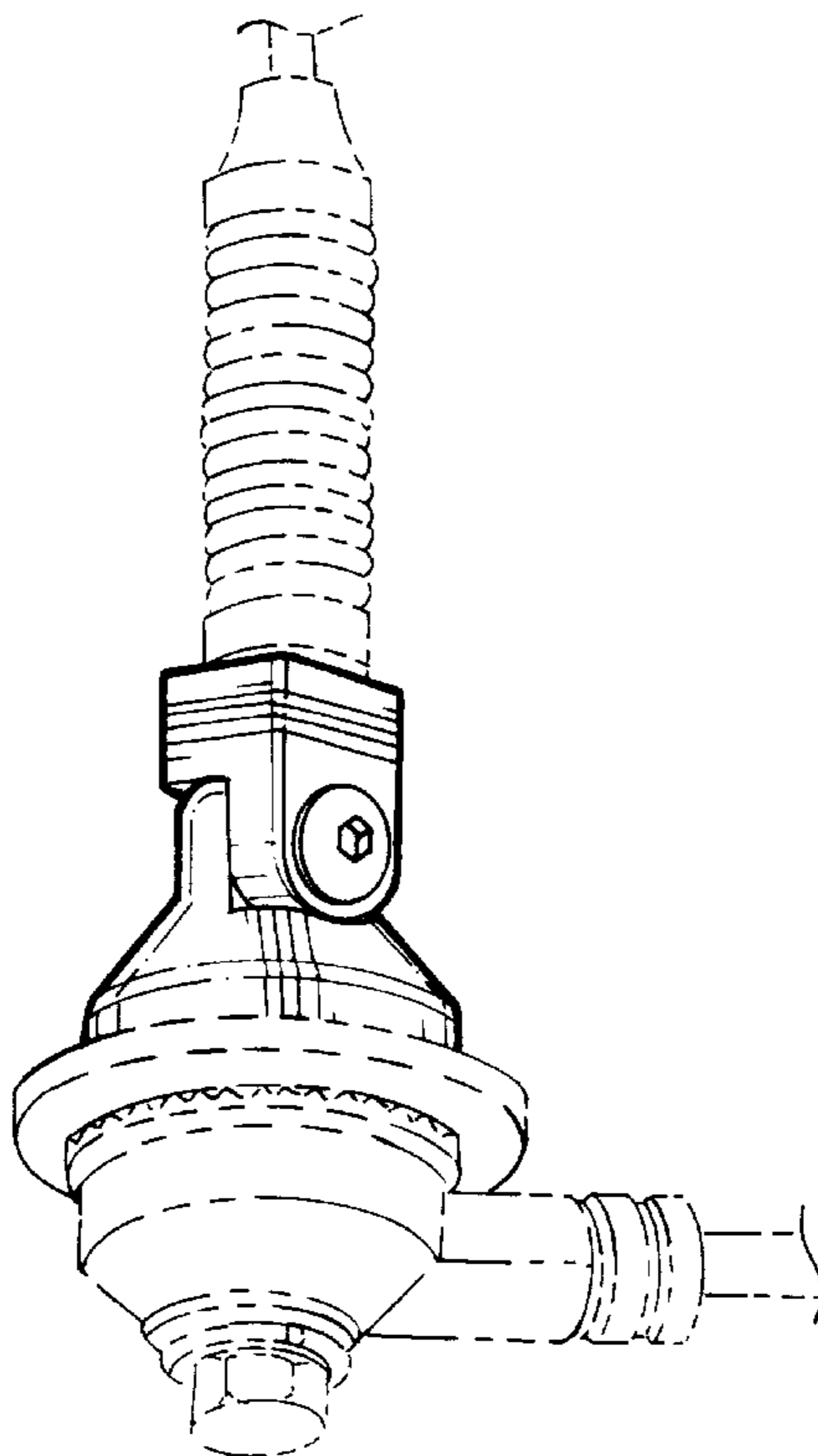
FIG. 1 is a perspective view of an antenna showing my new design;
FIG. 2 is a right side elevation view of my new design;
FIG. 3 is a left side elevation view of the new design;
FIG. 4 is a front elevation view of the new design;
FIG. 5 is a top plan view of the new design; and,
FIG. 6 is a bottom plan view of the new design.

The surfaces of the article not shown in the drawing or described in the specification form no part of the claimed design.

The broken lines which border the claimed design form no part thereof.

The broken line showing portions of an antenna is for illustrative purposes only and forms no part of the claimed design.

1 Claim, 2 Drawing Sheets



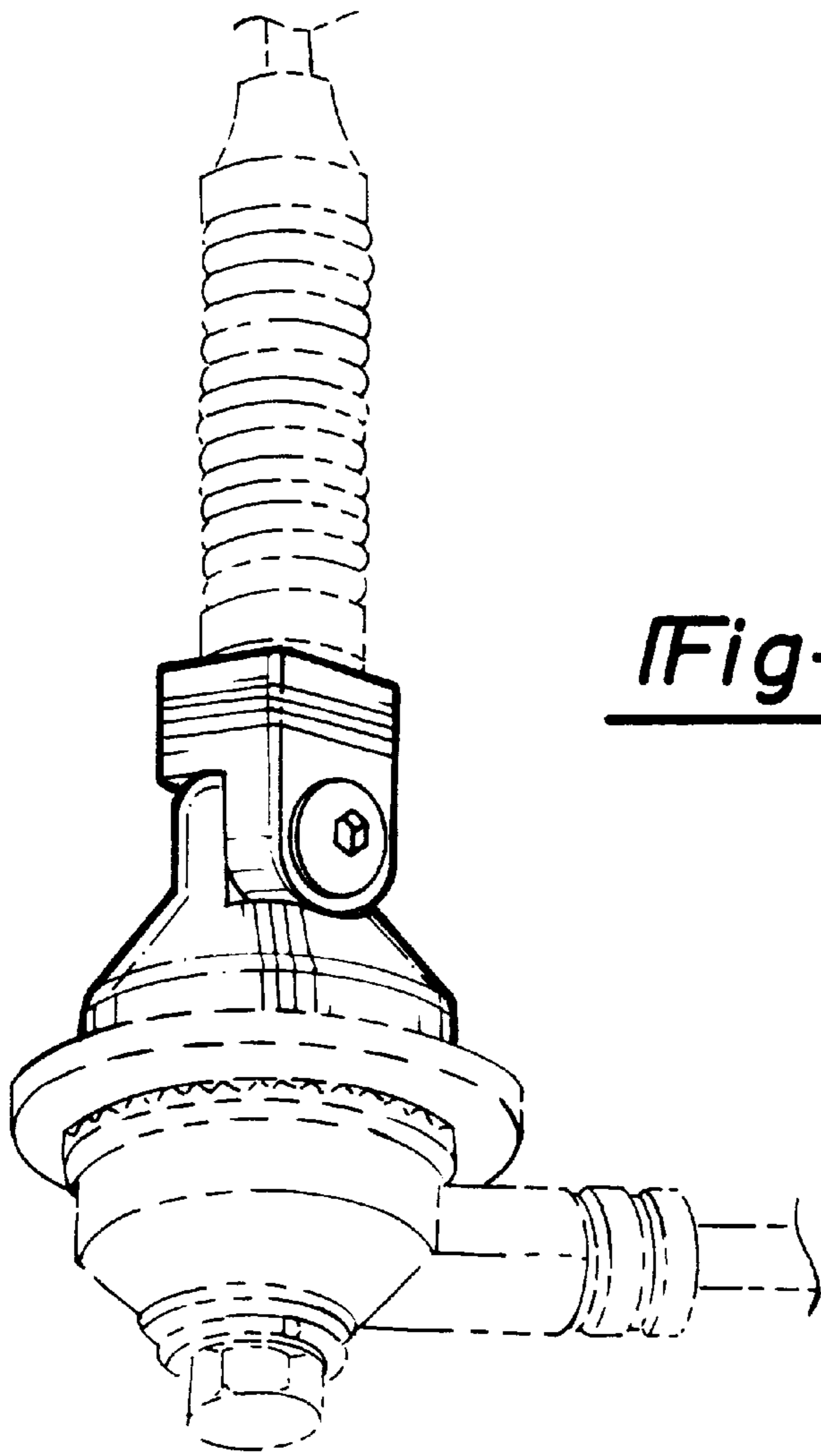


Fig-1

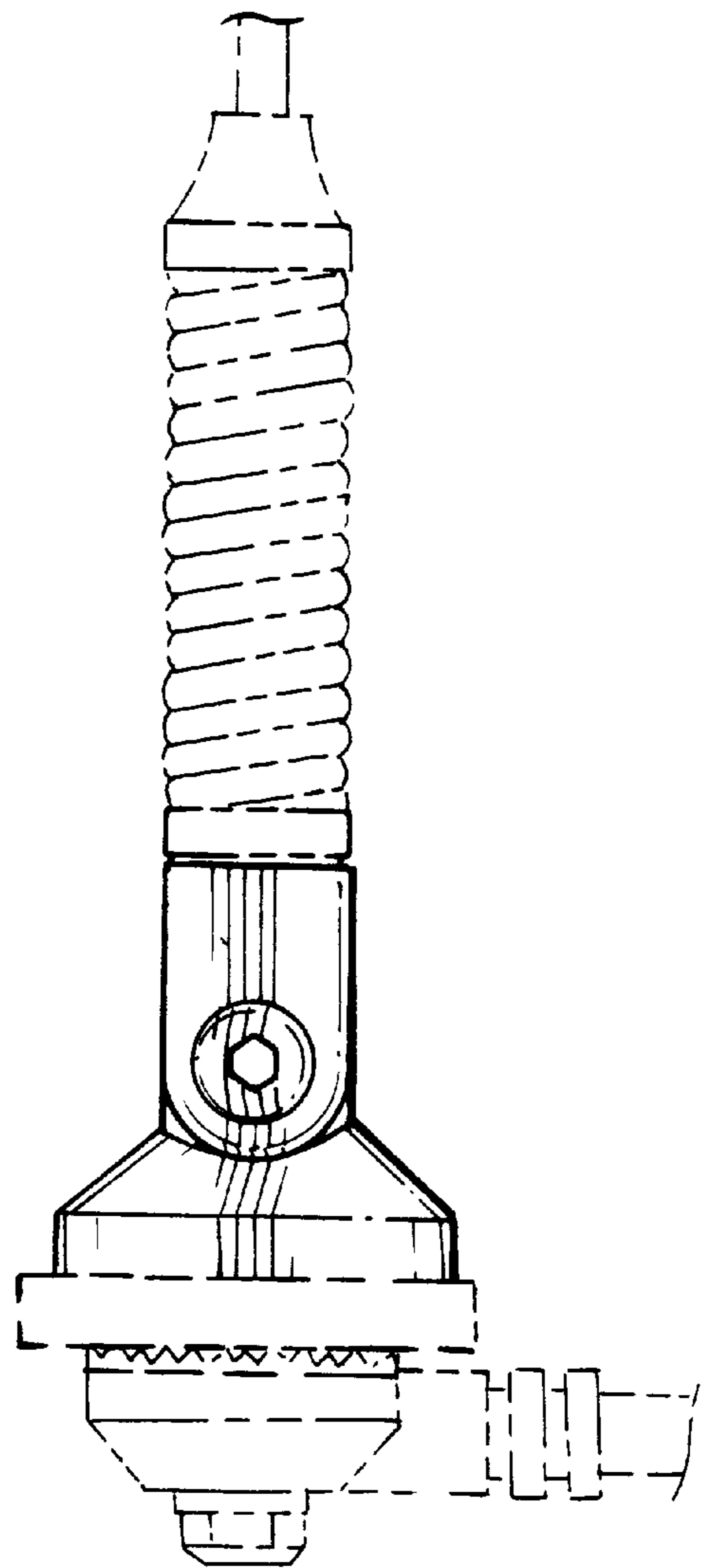


Fig-2

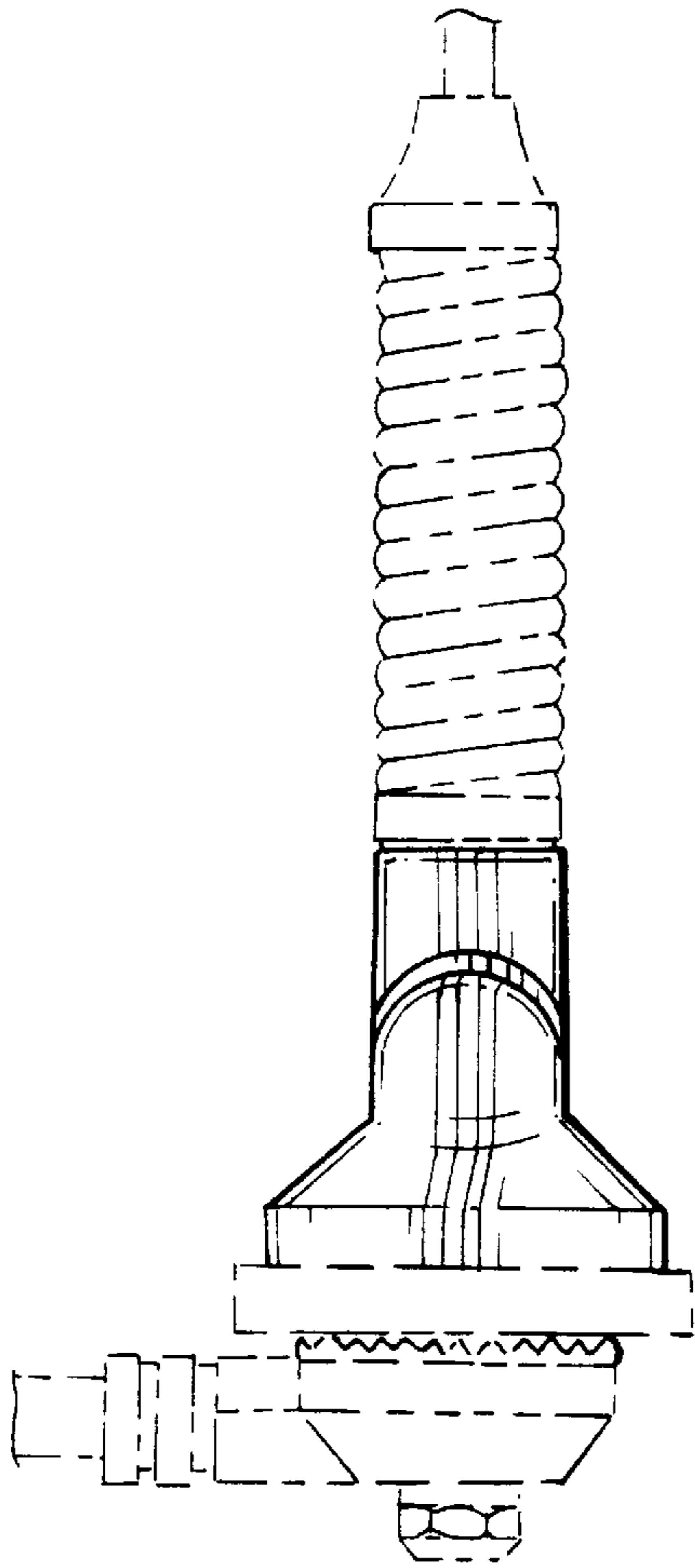


Fig-3

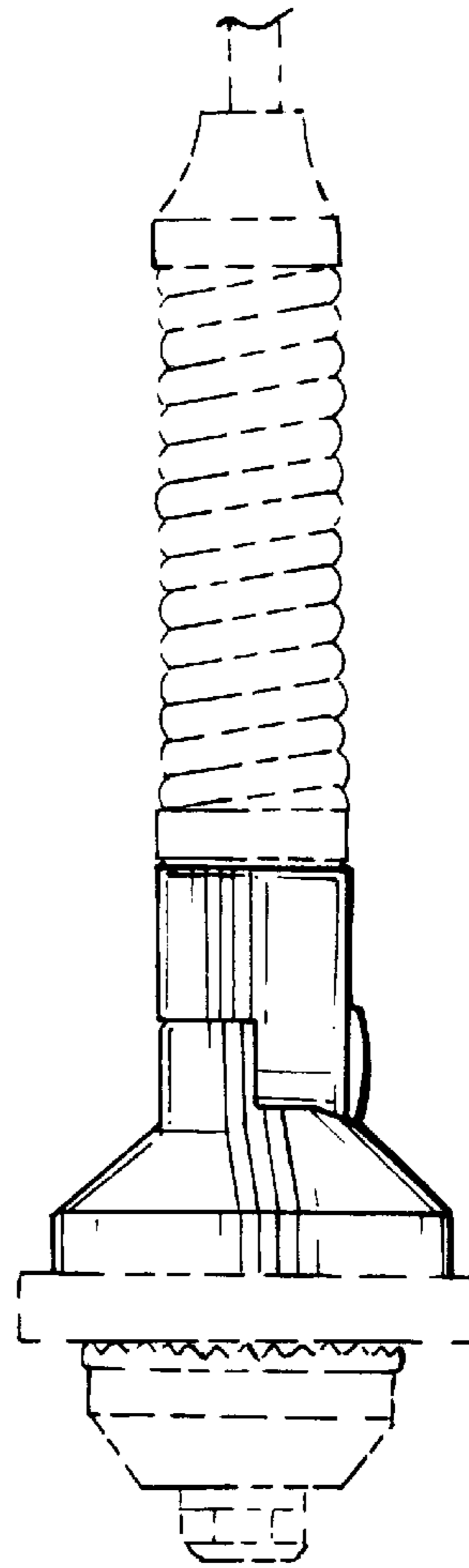


Fig-4

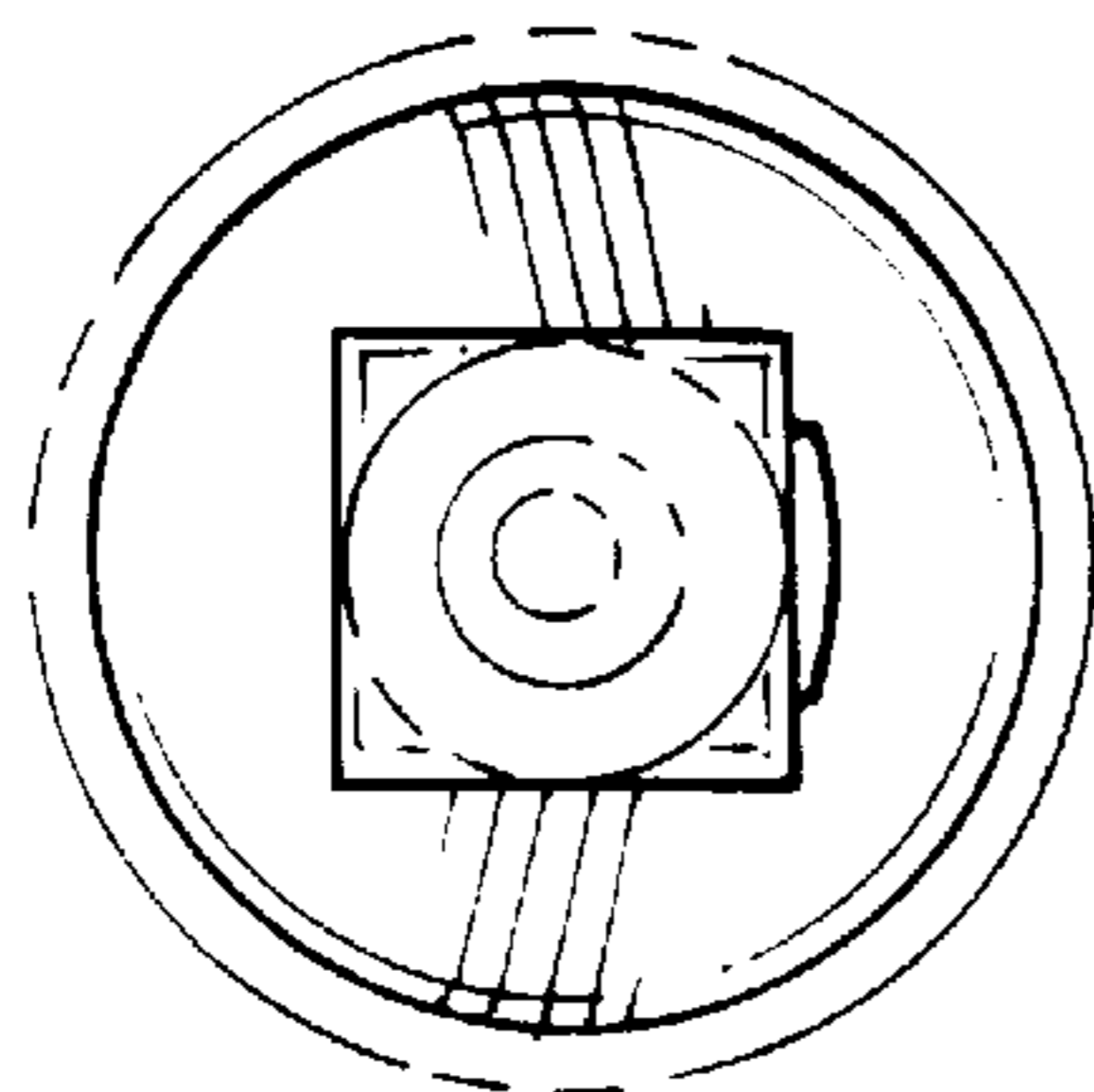


Fig-5

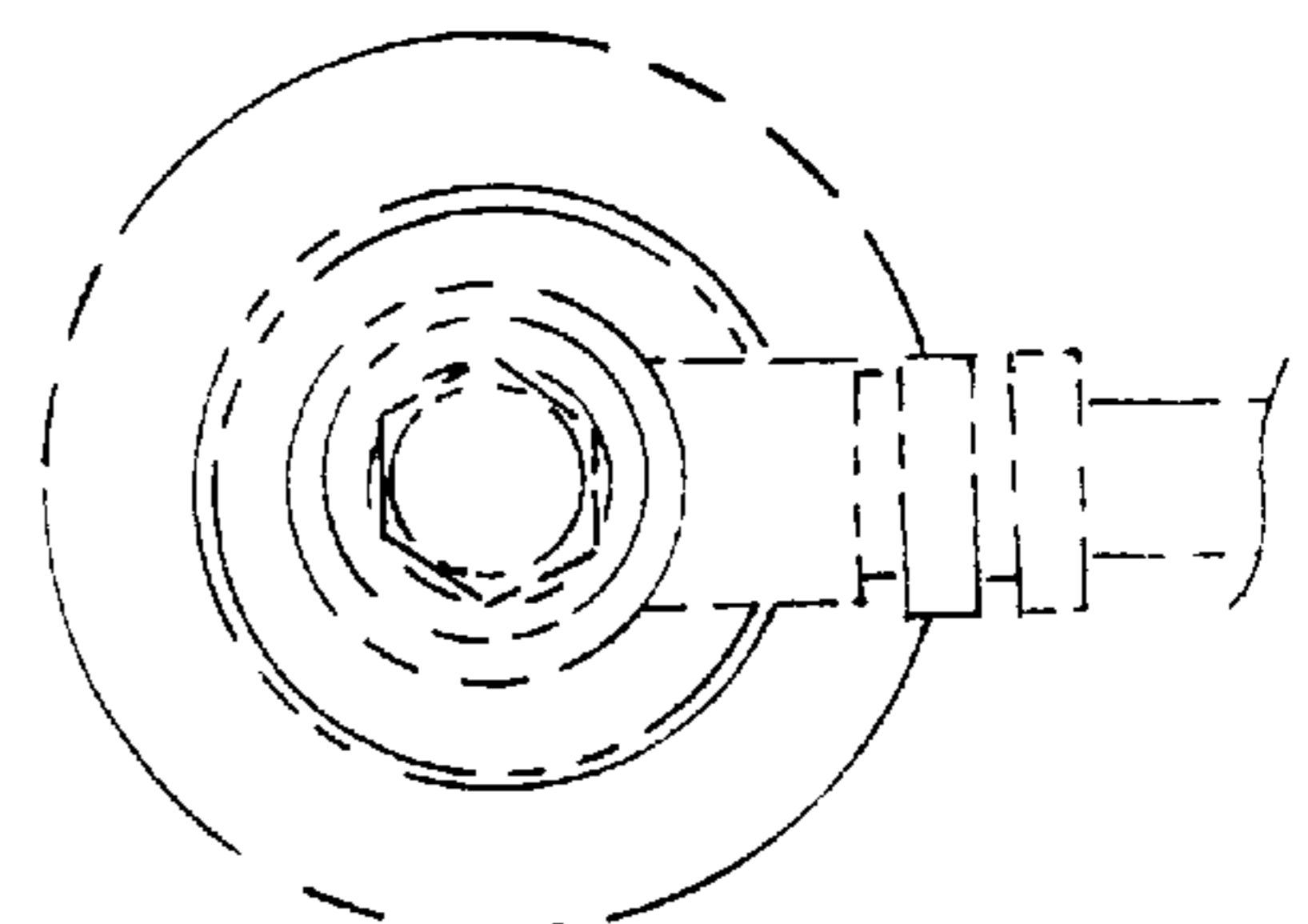


Fig-6