



US00D424567S

# United States Patent [19]

Hakoda

[11] Patent Number: Des. 424,567

[45] Date of Patent: \*\* May 9, 2000

[54] REMOTE CONTROLLER FOR A DISC RECORDER

[75] Inventor: Katsuhisa Hakoda, Tokyo, Japan

[73] Assignee: Sony Corporation, Tokyo, Japan

[\*\*] Term: 14 Years

[21] Appl. No.: 29/080,633

[22] Filed: Nov. 17, 1997

[30] Foreign Application Priority Data

May 21, 1997 [JP] Japan ..... 9-55013

[51] LOC (7) Cl. .... 14-03

[52] U.S. Cl. .... D14/218

[58] Field of Search ..... D14/217, 218; D13/168; 348/734; 455/151.1, 151.2, 151.3, 151.4, 152.1, 352-355; 200/331

[56] References Cited

U.S. PATENT DOCUMENTS

- D. 318,670 7/1991 Taniguchi et al. .... D14/205
- D. 322,609 12/1991 Patton ..... D14/218
- D. 326,655 6/1992 Iribe ..... D14/192
- D. 344,043 2/1994 Taniguchi et al. .... D14/205
- D. 344,522 2/1994 Taniguchi ..... D14/218
- D. 344,523 2/1994 Kanno ..... D14/218

D. 344,524 2/1994 Taniguchi ..... D14/218

Primary Examiner—Ruth McInroy  
Attorney, Agent, or Firm—Foley & Lardner

[57] CLAIM

The ornamental design for a remote controller for a disc recorder, as shown and described.

DESCRIPTION

FIG. 1 is a perspective view of a first embodiment of a remote controller for a disc recorder showing my new design;

FIG. 2 is a top plan view thereof;

FIG. 3 is a left side elevational view thereof;

FIG. 4 is a front elevational view thereof;

FIG. 5 is a bottom plan view thereof;

FIG. 6 is a right side elevational view thereof;

FIG. 7 is a rear elevational view thereof;

FIG. 8 is a perspective view of a second embodiment of a remote controller for a disc recorder showing my new design;

FIG. 9 is a top plan view thereof;

FIG. 10 is a left side elevational view thereof;

FIG. 11 is a front elevational view thereof;

FIG. 12 is a bottom plan view thereof;

FIG. 13 is a right side elevational view thereof; and,

FIG. 14 is a rear elevational view thereof.

1 Claim, 6 Drawing Sheets

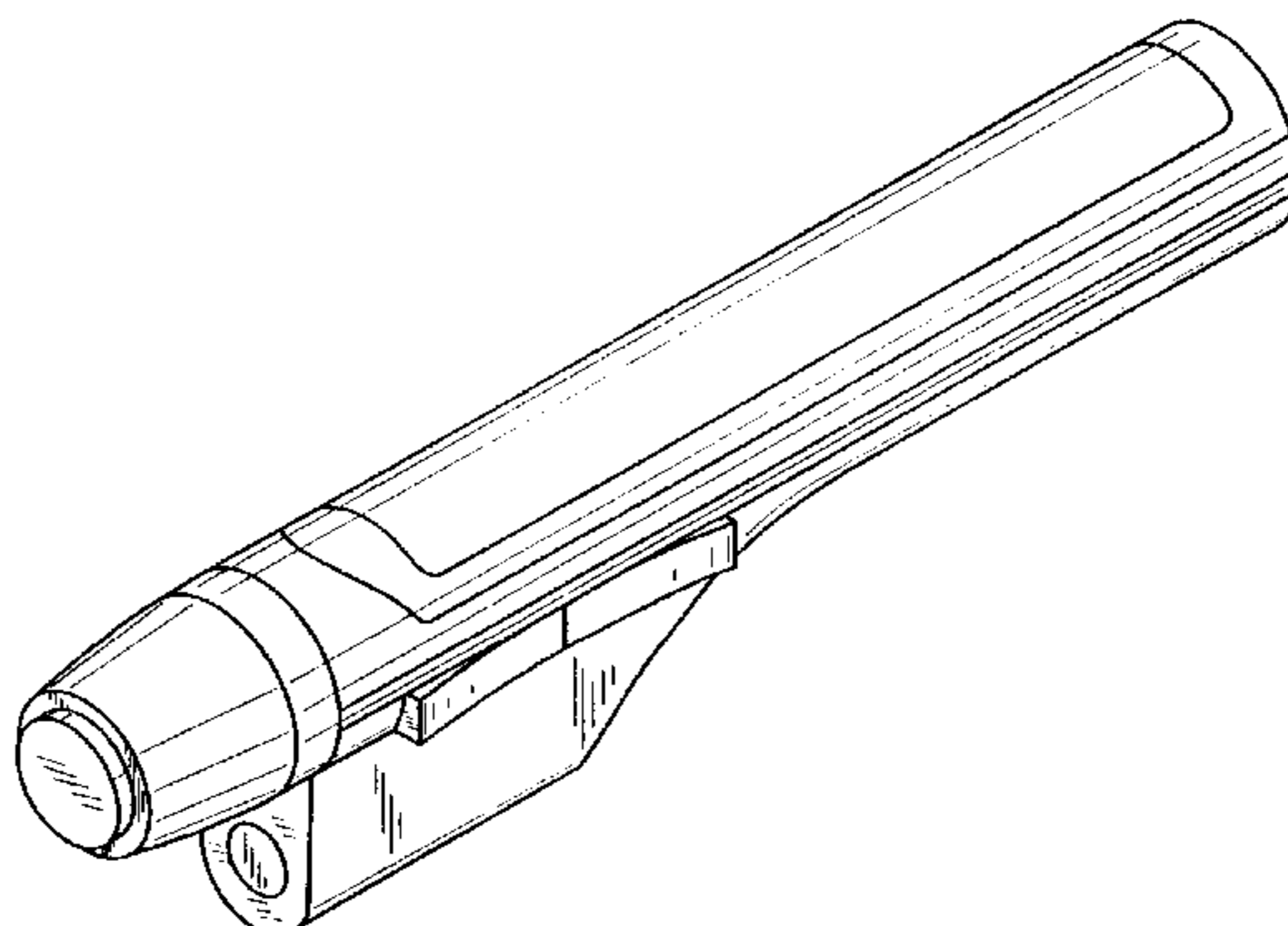
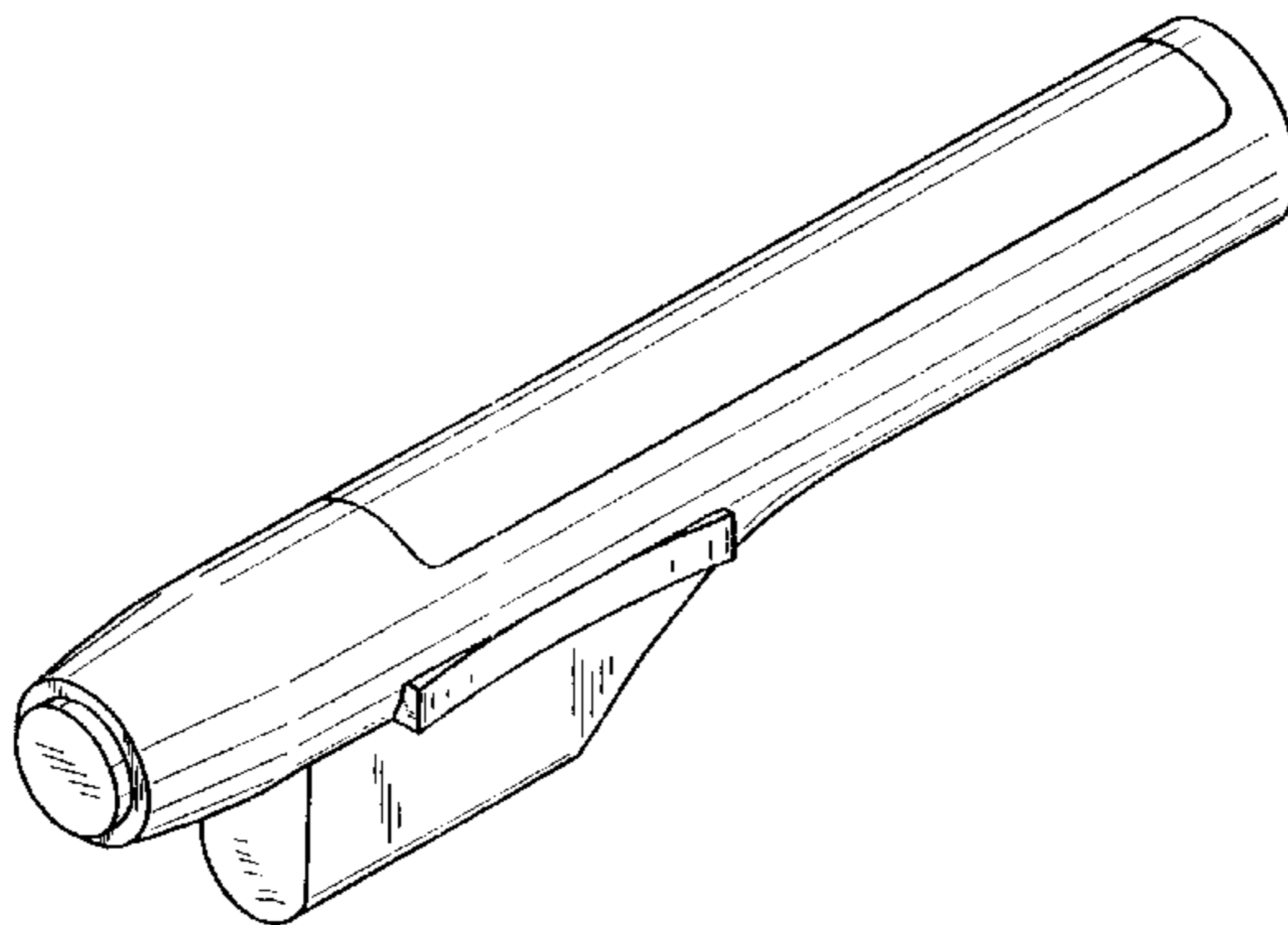


FIG. 1

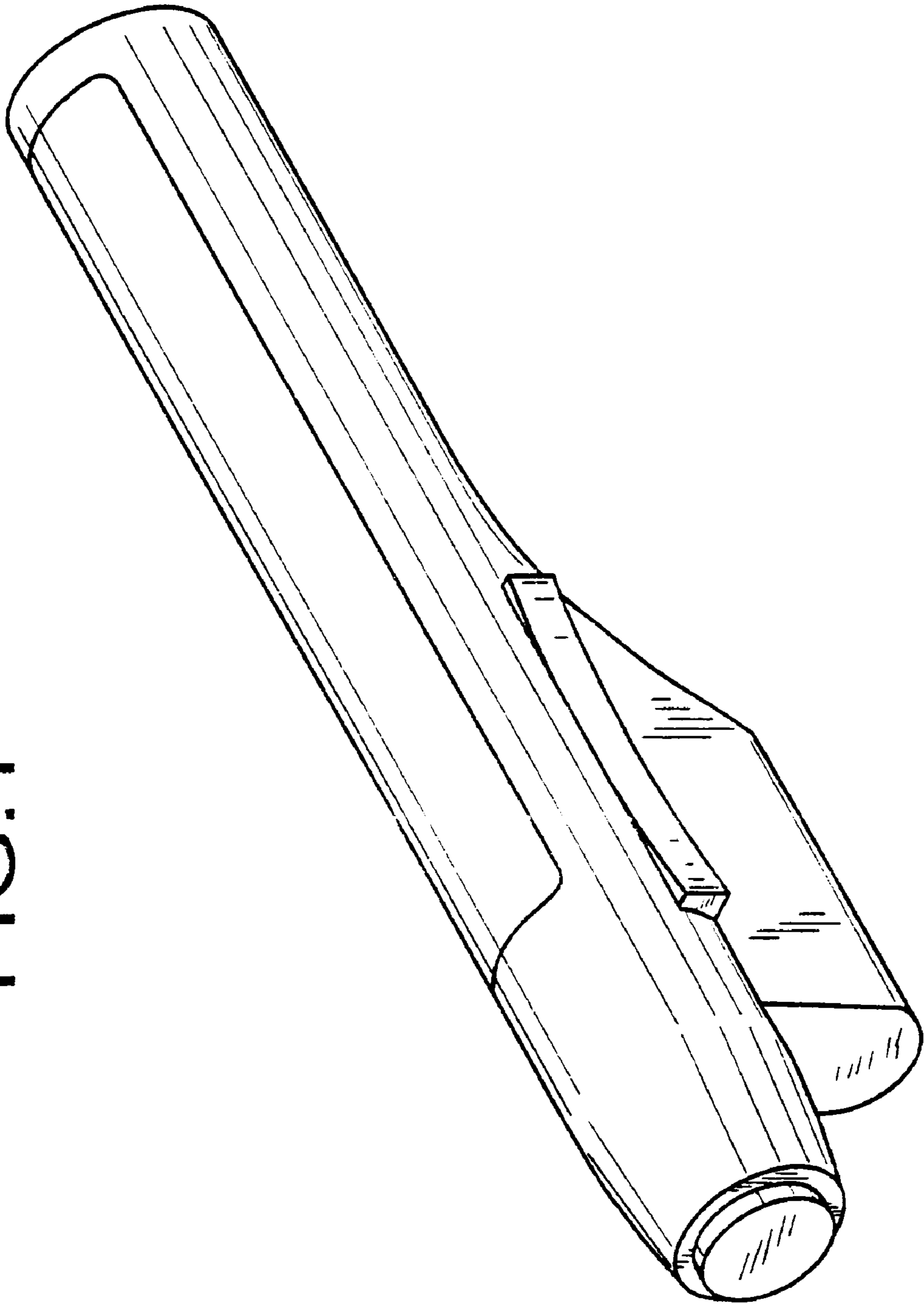


FIG. 2

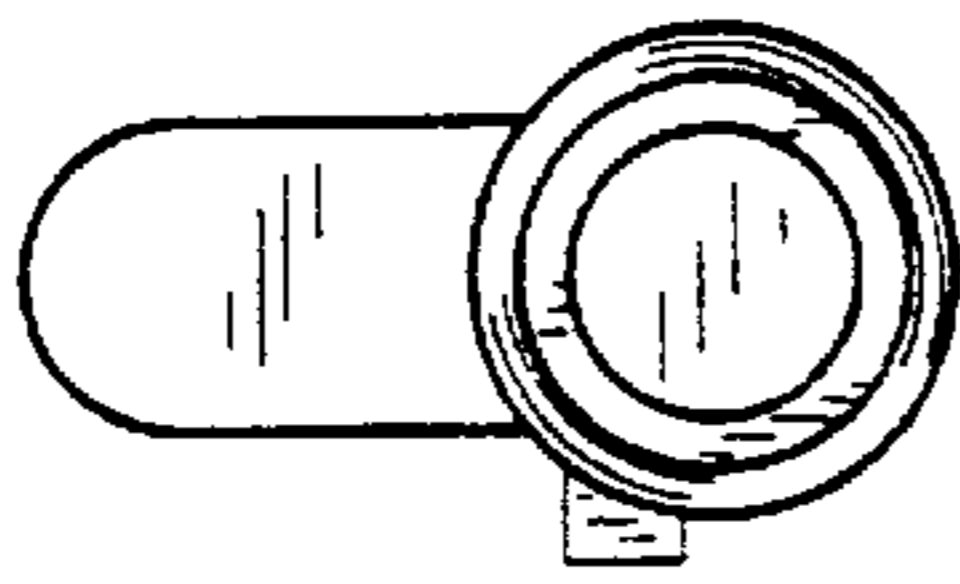


FIG. 3

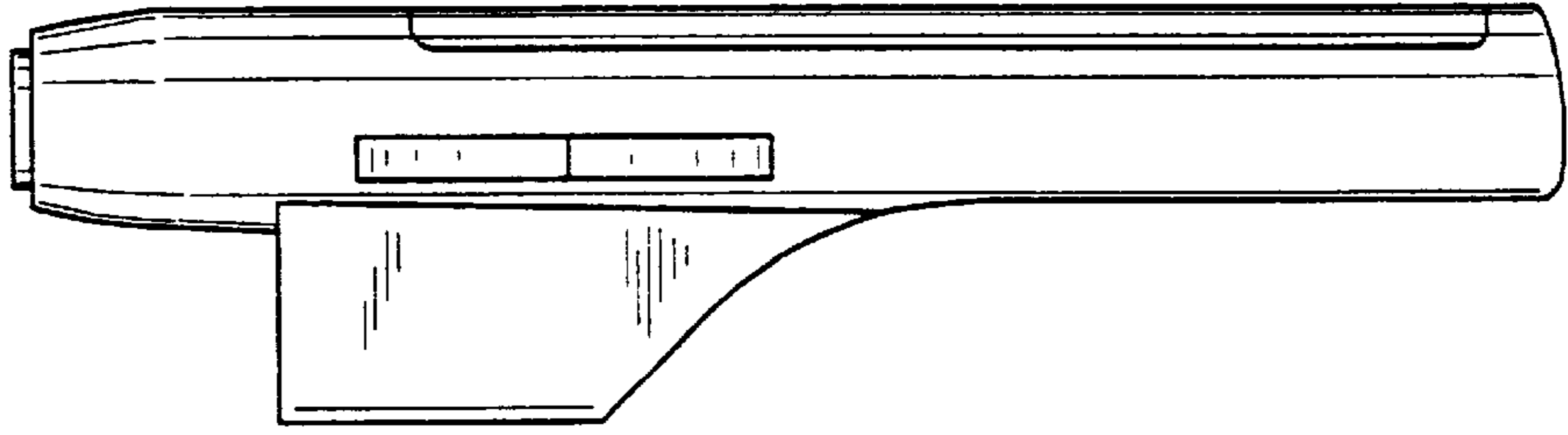


FIG. 4

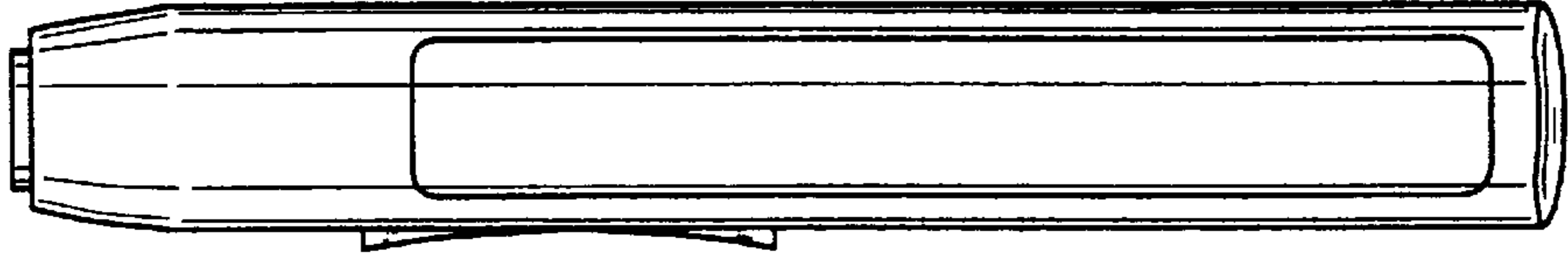


FIG. 5

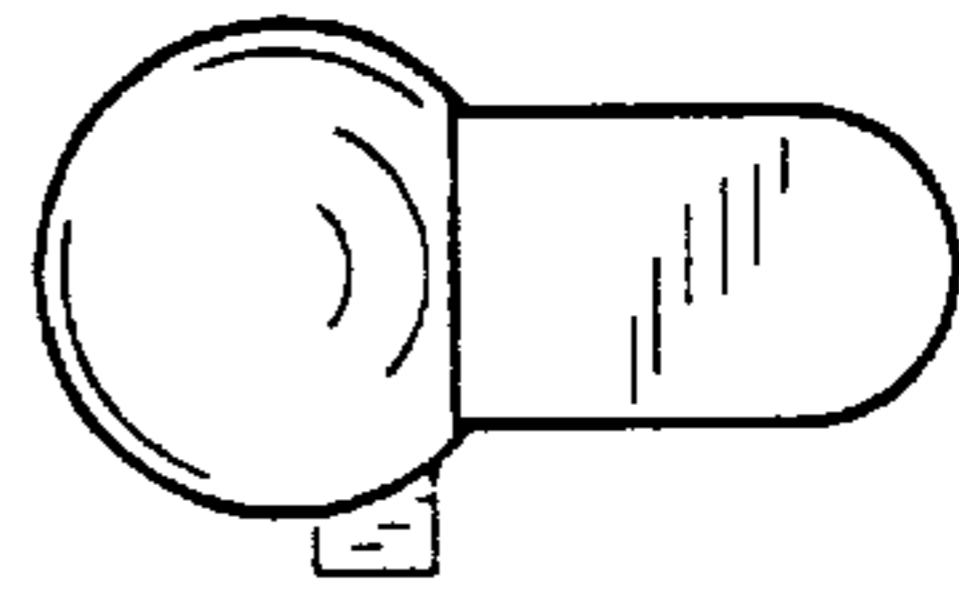


FIG. 7

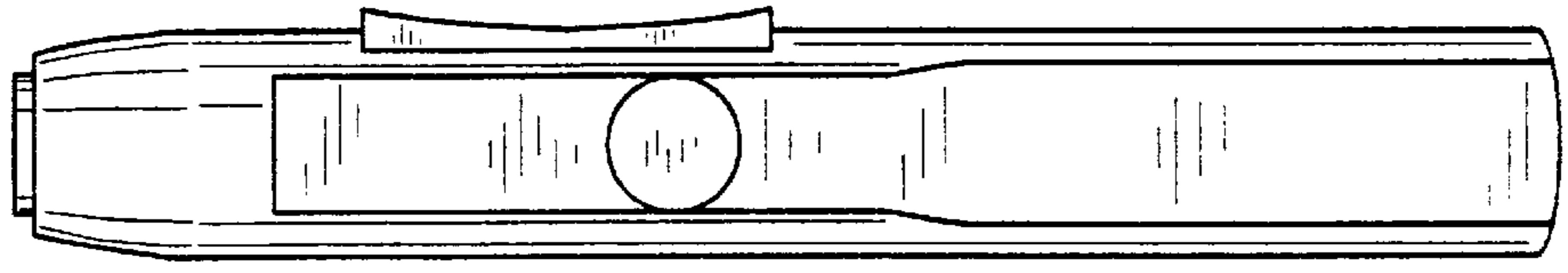


FIG. 6

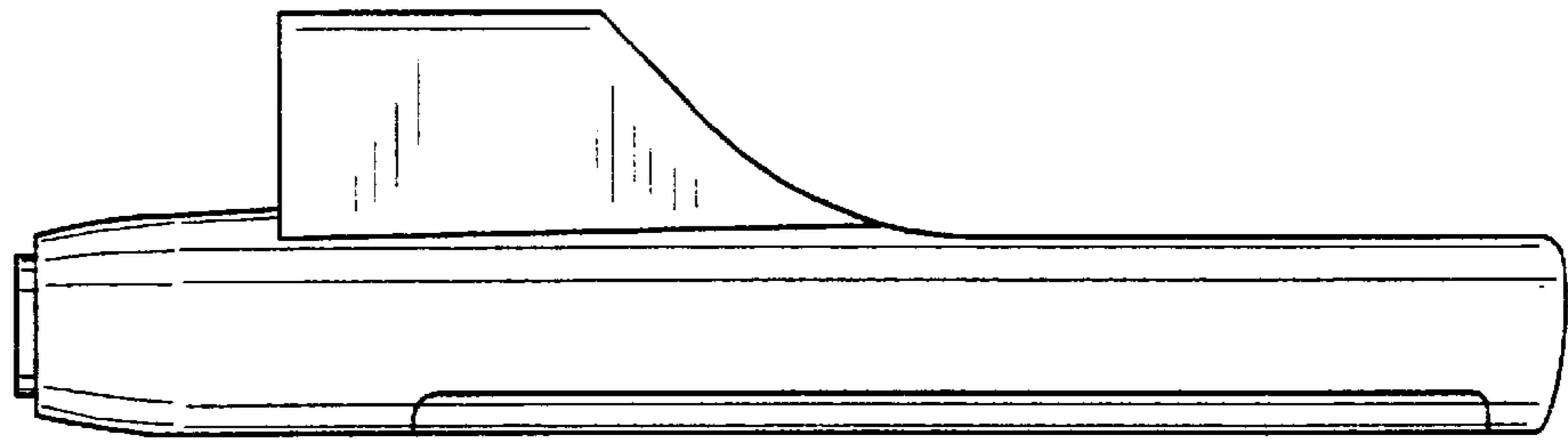


FIG. 8

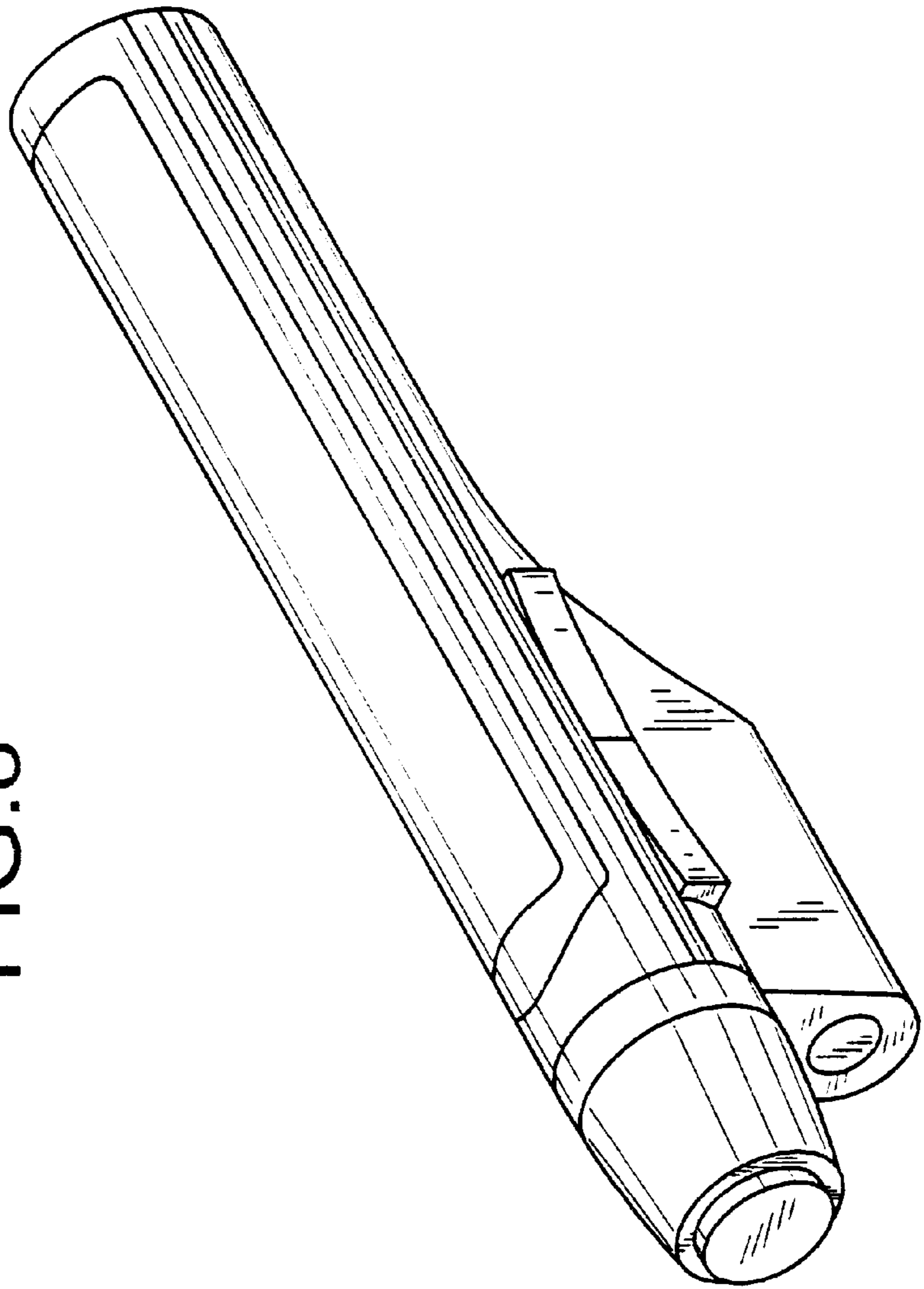


FIG. 9

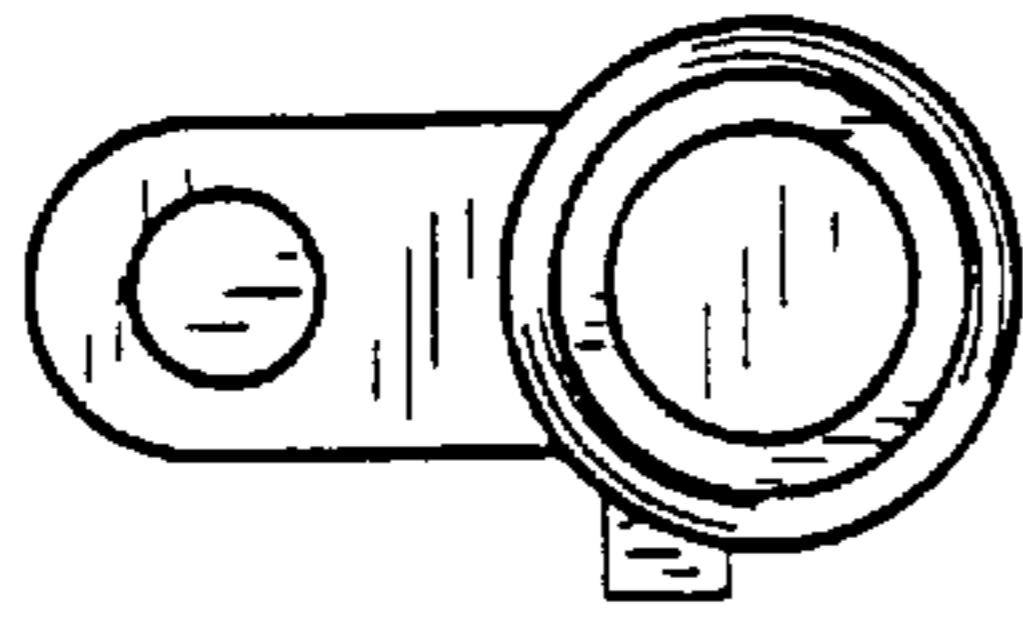


FIG. 10

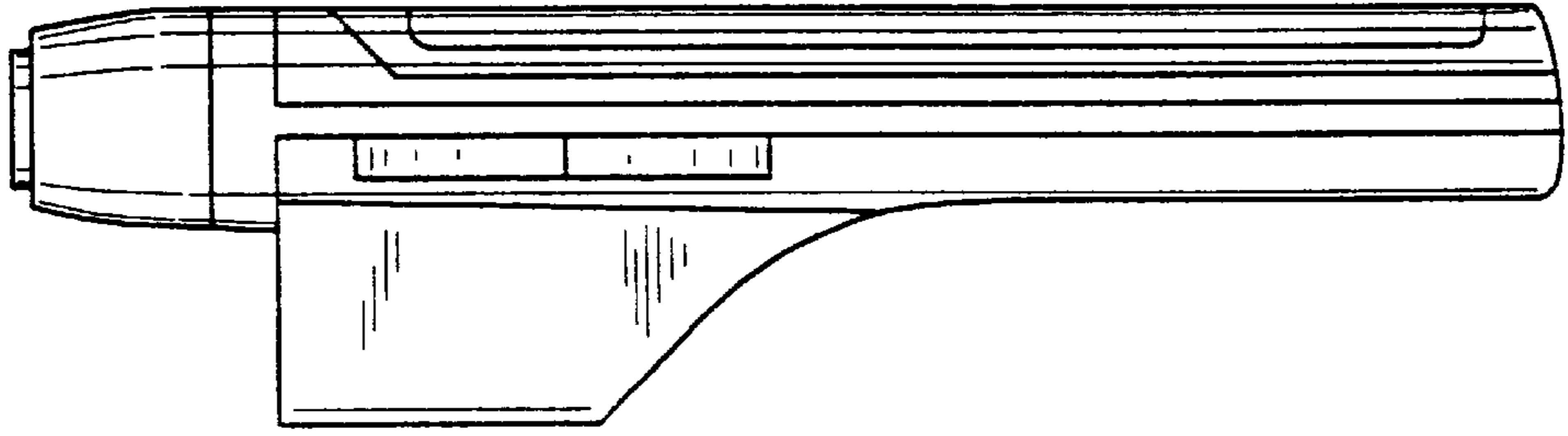


FIG. 11

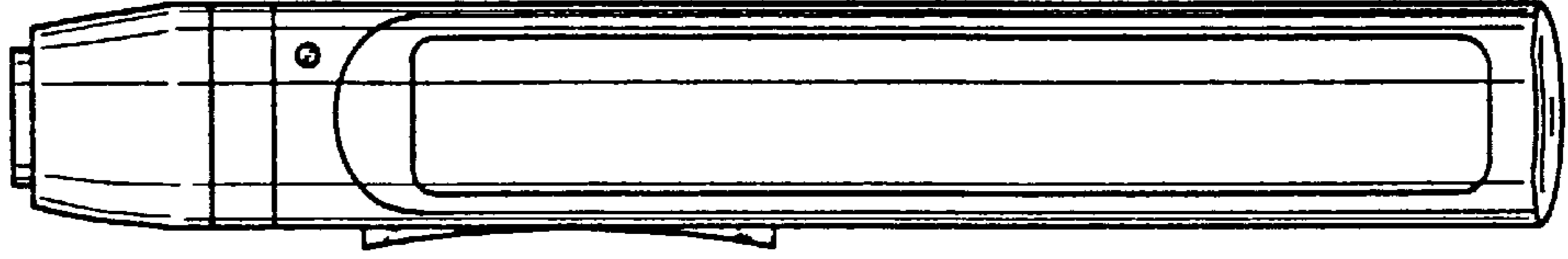


FIG. 12

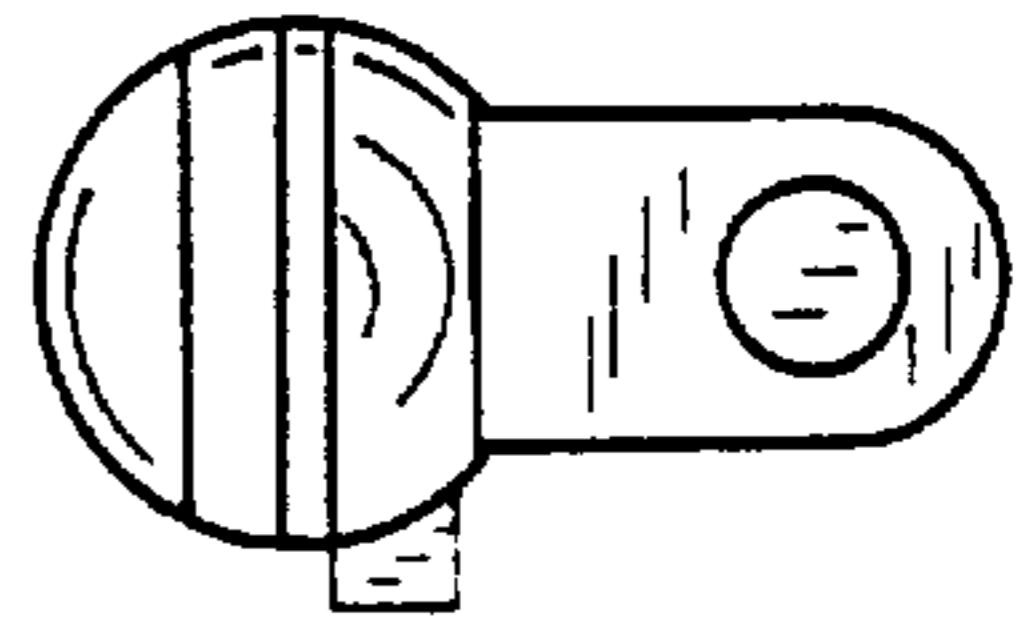


FIG. 14

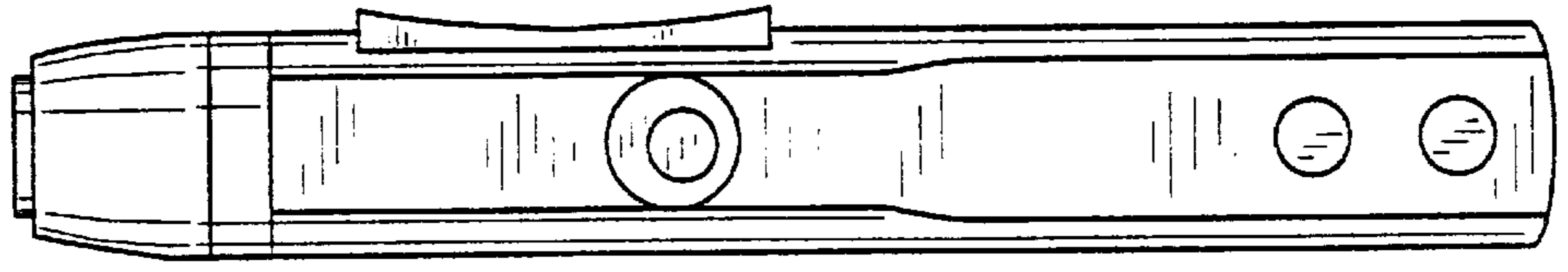


FIG. 13

