



US00D424559S

United States Patent [19] Ogawa

[11] Patent Number: Des. 424,559

[45] Date of Patent: ** May 9, 2000

[54] WIRELESS TELEPHONE

[75] Inventor: Osamu Ogawa, Osaka, Japan
[73] Assignee: Sanyo Electric Co., Ltd., Osaka, Japan
[**] Term: 14 Years

[21] Appl. No.: 29/108,120
[22] Filed: Jul. 20, 1999

[51] LOC (7) Cl. 14-03
[52] U.S. Cl. D14/148; D14/149
[58] Field of Search D14/140-142,
D14/144, 241, 147-151, 240, 138; 379/419,
420, 428, 440, 433-436

[56] References Cited

U.S. PATENT DOCUMENTS

D. 298,318	11/1988	Doi	D14/144	X
D. 316,857	5/1991	Park	D14/138	
D. 319,829	9/1991	Wu	D14/151	
D. 359,284	6/1995	Hung	D14/148	X
D. 369,600	5/1996	Zeitman	D14/144	
D. 369,601	5/1996	Tomoike	D14/149	
D. 369,798	5/1996	Kong et al.	D14/149	
D. 372,027	7/1996	Tomoike	D14/151	
D. 384,066	9/1997	Crafoord	D14/151	
D. 395,304	6/1998	Mori et al.	D14/144	
D. 398,924	9/1998	Shindo	D14/138	
D. 401,235	11/1998	Fuke et al.	D14/149	
D. 412,502	8/1999	Fuke et al.	D14/148	

FOREIGN PATENT DOCUMENTS

988247 8/1997 Japan .
988248 8/1997 Japan .
988293 8/1997 Japan .

Primary Examiner—Jeffrey Asch
Attorney, Agent, or Firm—Darby & Darby

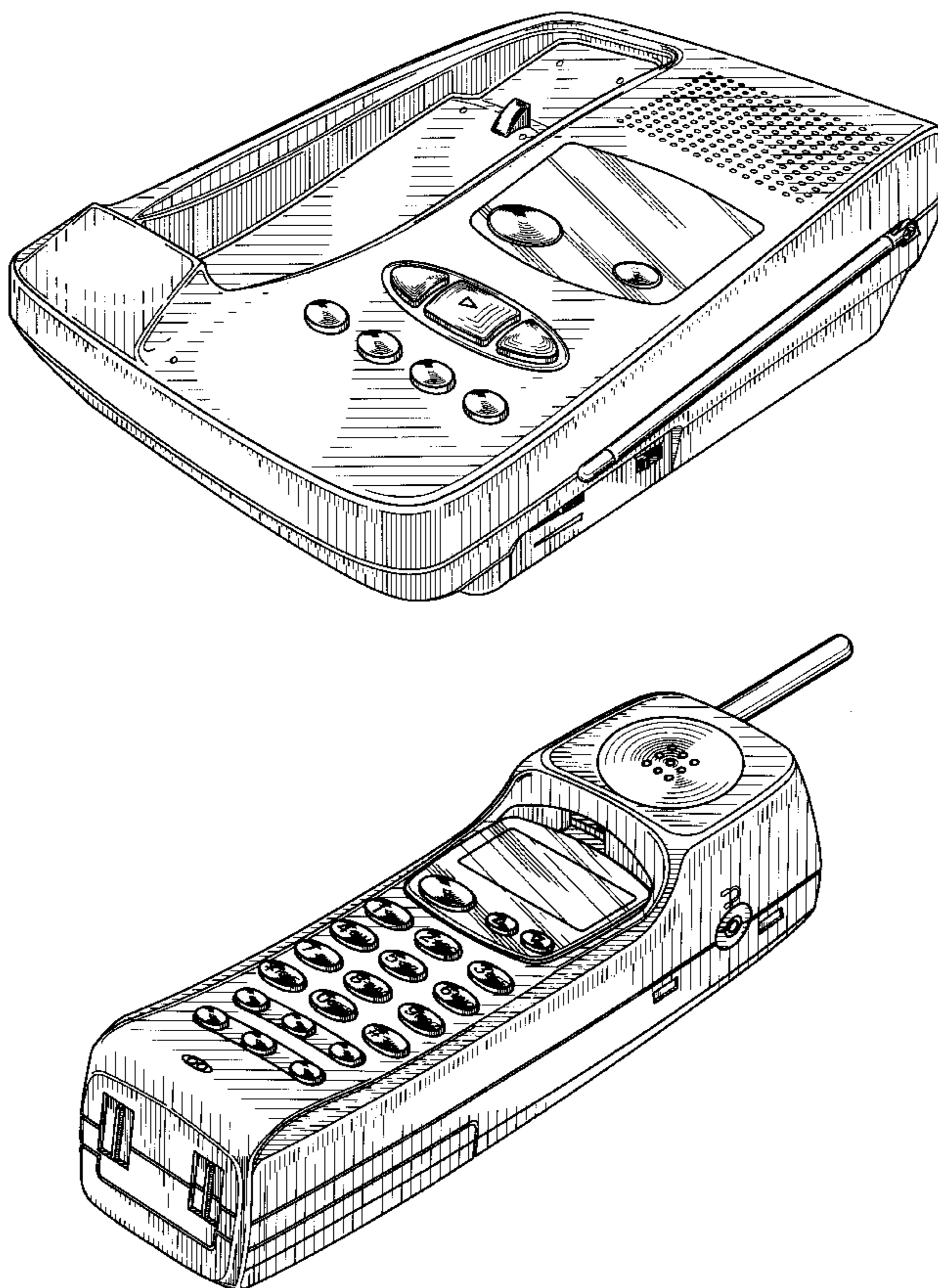
[57] CLAIM

The ornamental design for a wireless telephone, as shown and described.

DESCRIPTION

FIG. 1 is a top, front and right side perspective view of my new design for a wireless telephone;
FIG. 2 is a bottom, rear and left side perspective view thereof;
FIG. 3 is a top, front and right side perspective view of the base portion of the wireless telephone of my new design;
FIG. 4 is a bottom, rear and left side perspective view of the base portion of the wireless telephone of my new design;
FIG. 5 is a top, front and right side perspective view of the handset portion of the wireless telephone of my new design; and,
FIG. 6 is a bottom, rear and left side perspective view of the handset portion of the wireless telephone of my new design. The telephone base and handset have been shown separately in FIG. 3-6 for convenience of illustration.

1 Claim, 6 Drawing Sheets



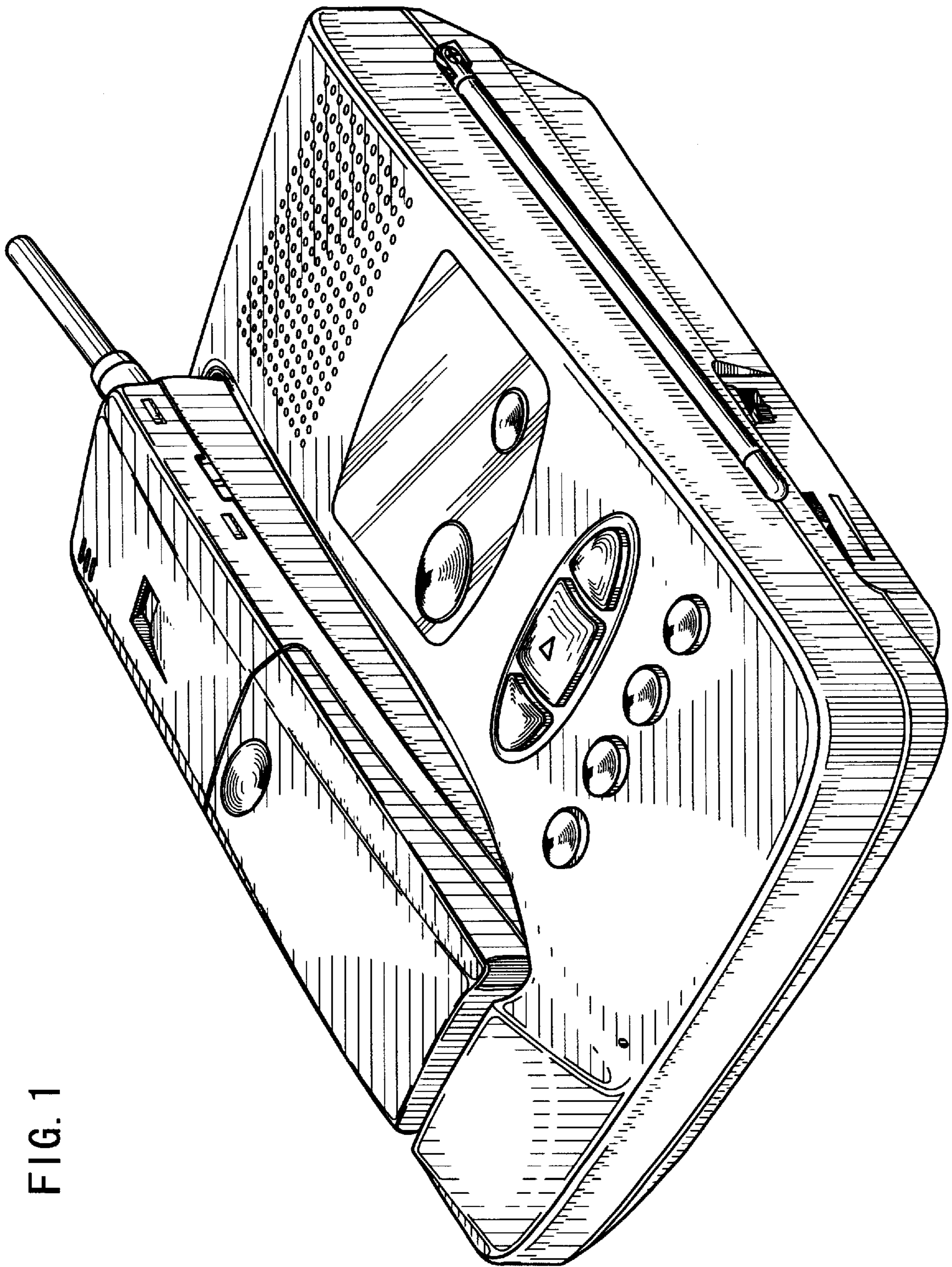


FIG. 1

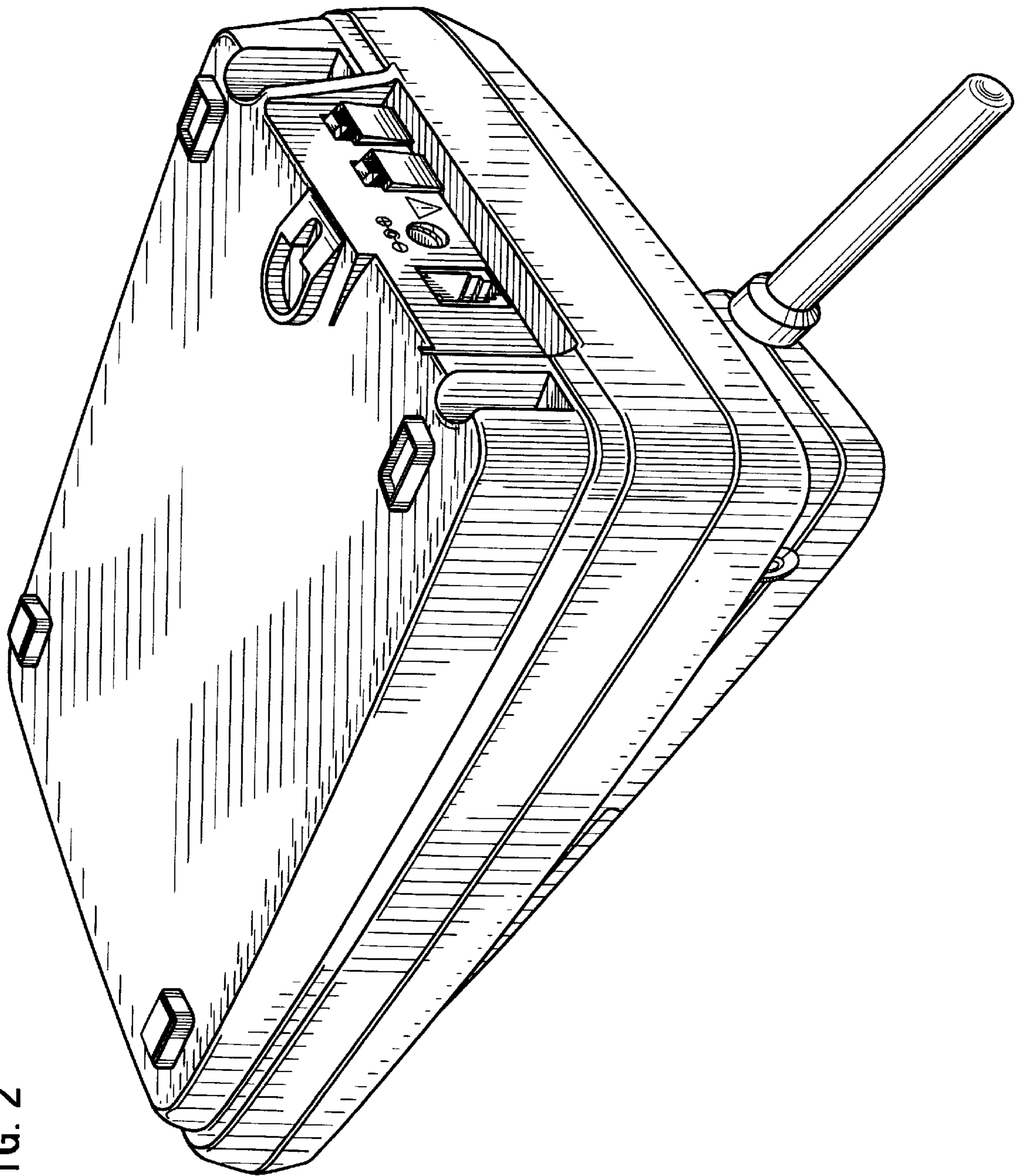


FIG. 2

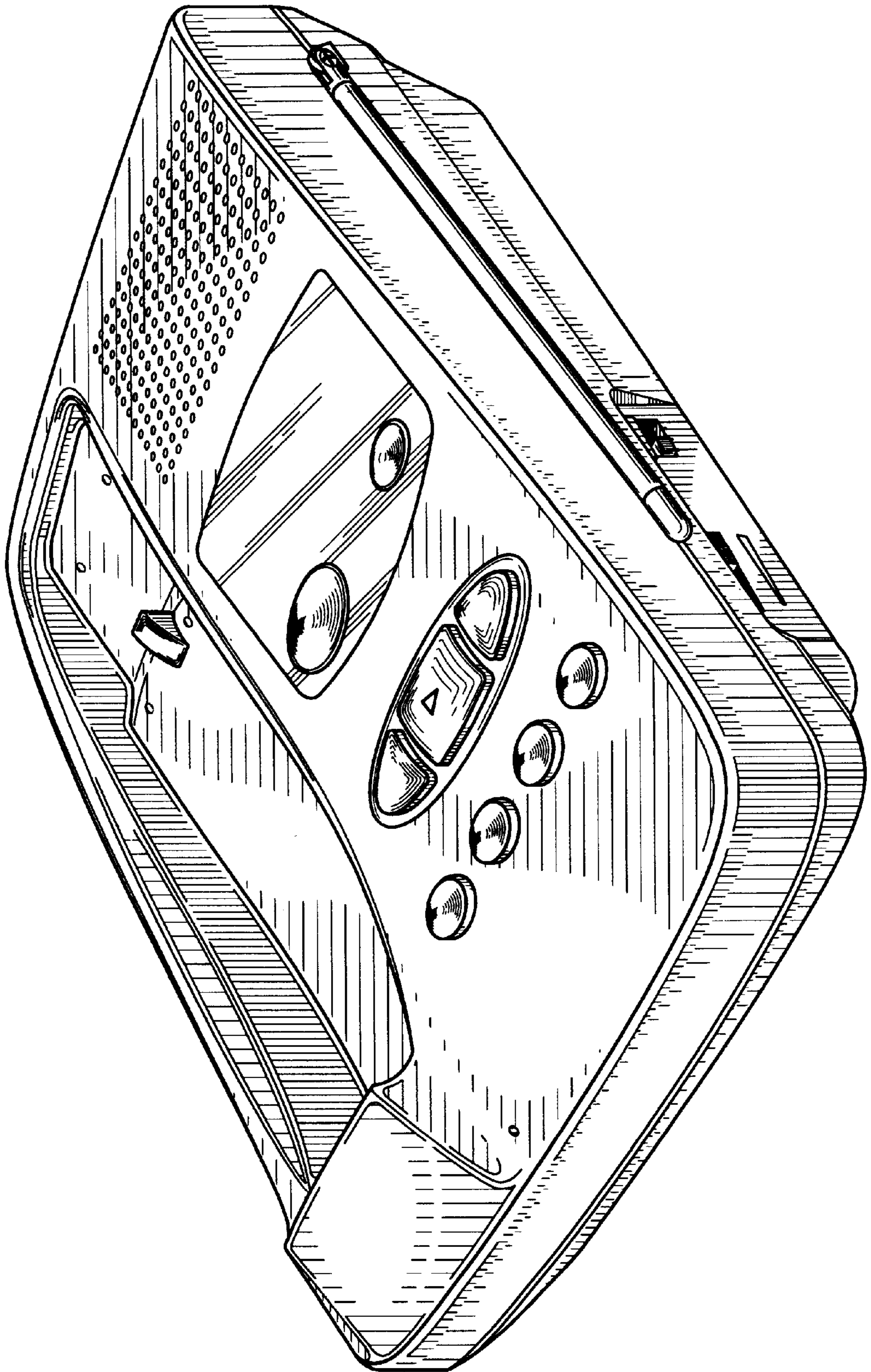


FIG. 3

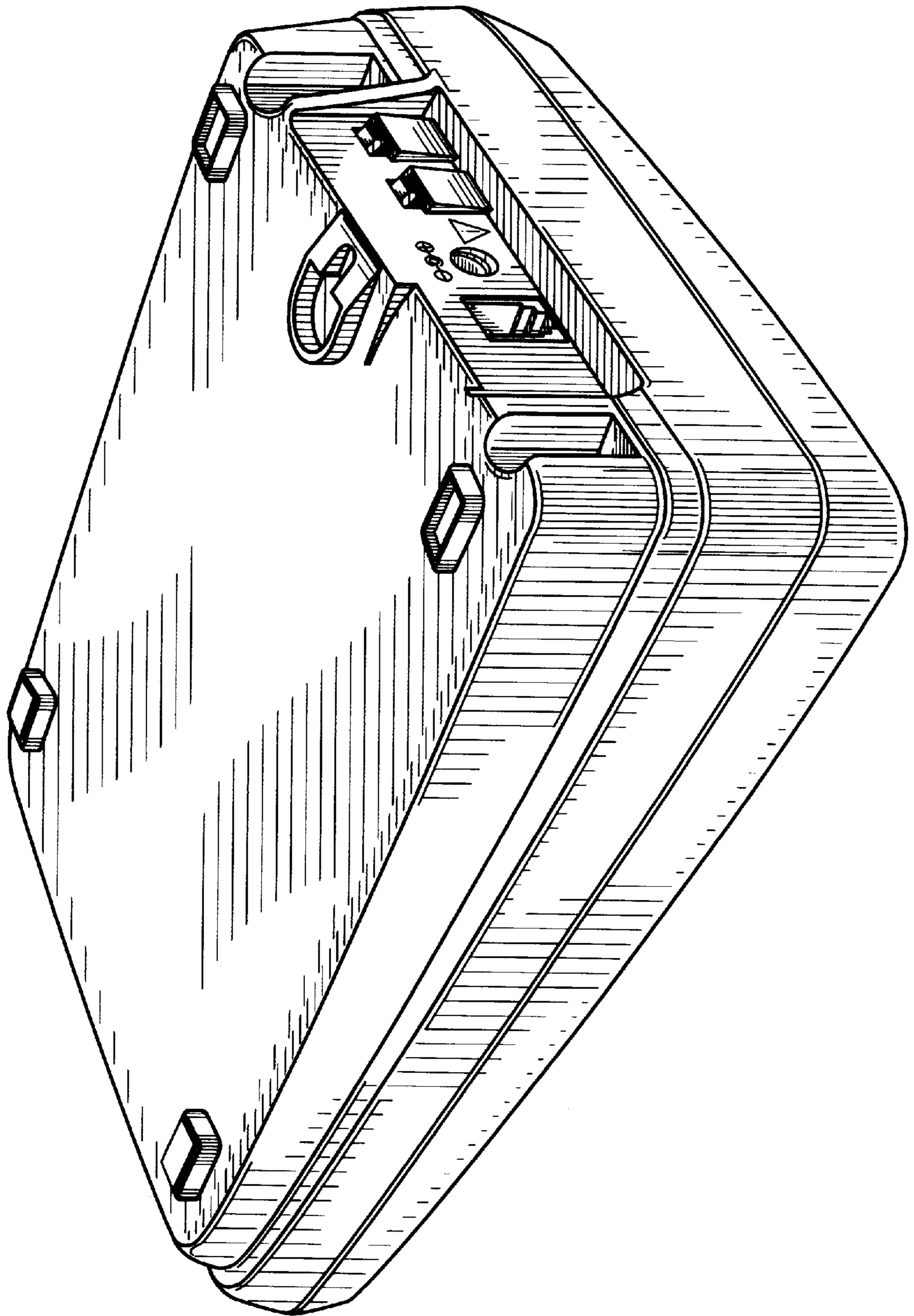


FIG. 4

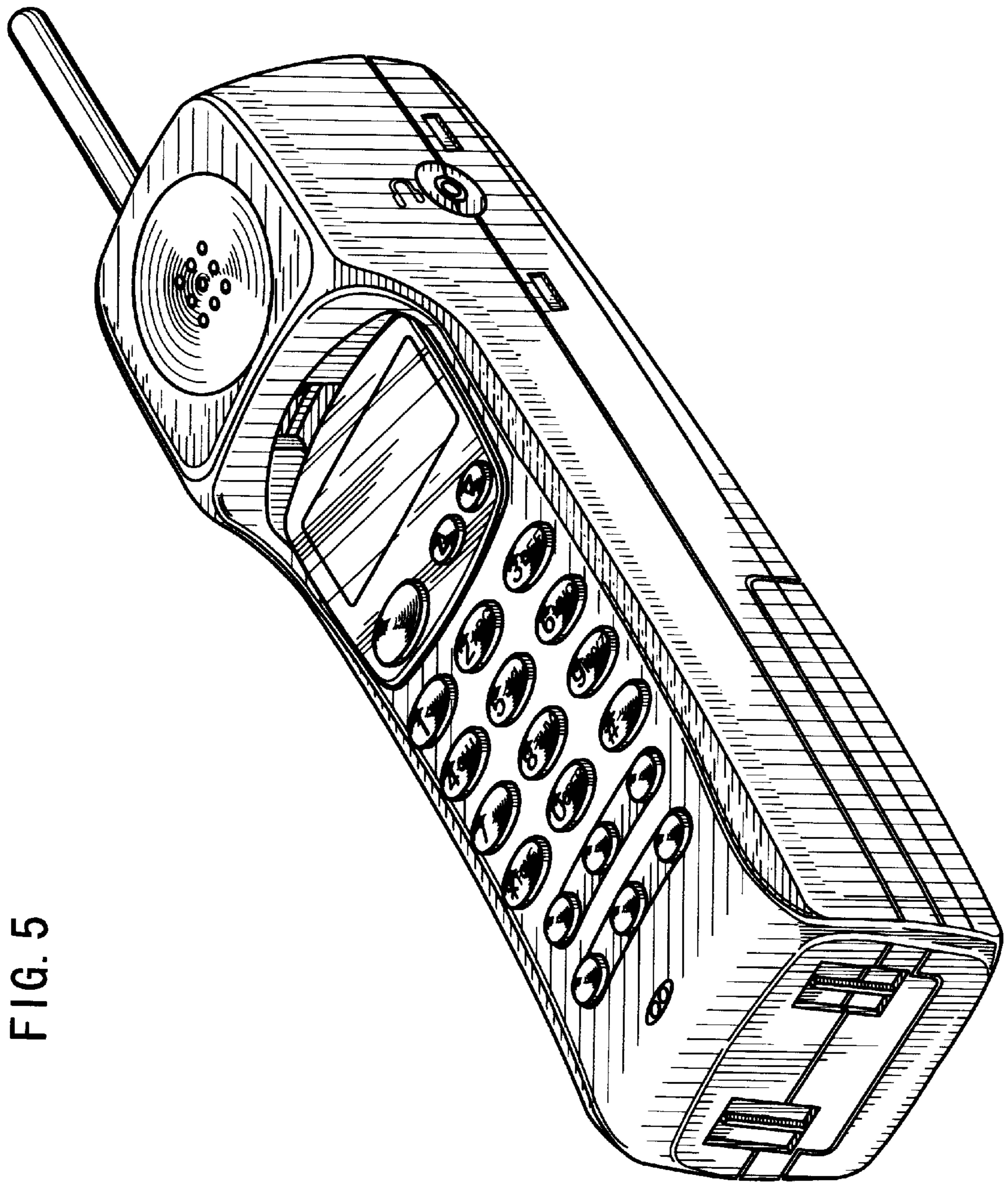


FIG. 5

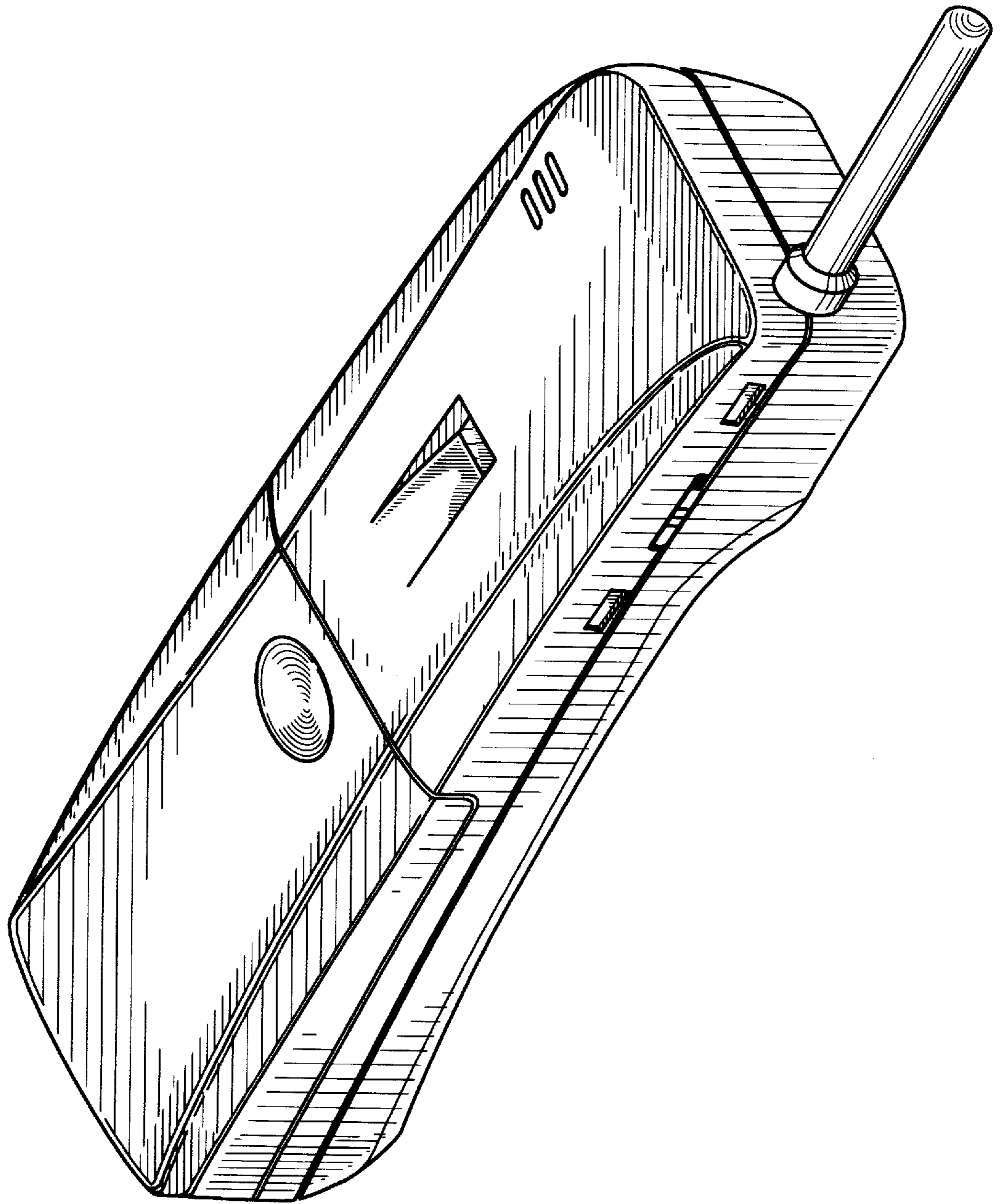


FIG. 6