



US00D424558S

United States Patent [19] Hong

[11] **Patent Number: Des. 424,558**

[45] **Date of Patent: ** May 9, 2000**

[54] **EGG PHONE**

[76] Inventor: **Sungkuk Hong**, 17100 Norwalk Blvd., Suite 102, Cerritos, Calif. 90703

[**] Term: **14 Years**

[21] Appl. No.: **29/111,008**

[22] Filed: **Sep. 20, 1999**

[51] **LOC (7) Cl. 14-03**

[52] **U.S. Cl. D14/143; D14/147**

[58] **Field of Search** D14/225, 227, D14/228, 143, 137, 138, 148, 147, 149-151, 140-142, 240, 241; 379/433-436, 419, 420, 424, 428, 440; D21/517

[56] **References Cited**

U.S. PATENT DOCUMENTS

D. 203,187	12/1965	Deschamps	D14/225
D. 282,544	2/1986	Wu	D14/147
D. 291,990	9/1987	Lee	D14/143
D. 291,991	9/1987	Lee	D14/147
D. 292,094	9/1987	Yoshiharu	D14/143
D. 292,095	9/1987	Yoshiharu	D14/143
D. 338,005	8/1993	Sieden	D14/143
D. 352,281	11/1994	Hanig	D14/143
D. 359,733	6/1995	Fellinger	D14/138
D. 367,274	2/1996	Gobindram	D14/149
D. 369,796	5/1996	Grewe	D14/138

D. 406,131	2/1999	Osthues	D14/138
2,949,509	8/1960	Whidden	379/424
5,485,517	1/1996	Gray	379/433

Primary Examiner—Jeffrey Asch
Attorney, Agent, or Firm—John K. Park; Park & Sutton LLP

[57] **CLAIM**

The ornamental design for an egg phone, as shown and described.

DESCRIPTION

FIG. 1 is an isometric view with the front cover open; FIG. 2 is a front elevational view thereof; FIG. 3 is a right side elevational view thereof; FIG. 4 is a rear elevational view thereof; FIG. 5 is a left side elevational view thereof; FIG. 6 is a top plan view thereof; FIG. 7 is a bottom plan view thereof; FIG. 8 is an isometric view with the front cover closed; FIG. 9 is a front elevational view thereof; FIG. 10 is a right side elevational view thereof; FIG. 11 is a rear elevational view thereof; FIG. 12 is a left side elevational view thereof; FIG. 13 is a top plan view thereof; and, FIG. 14 is a bottom plan view thereof.

The broken line showings of portions of the egg phone in FIGS. 1 through 14 are for illustration purpose only and forms no part of the claimed design.

1 Claim, 6 Drawing Sheets

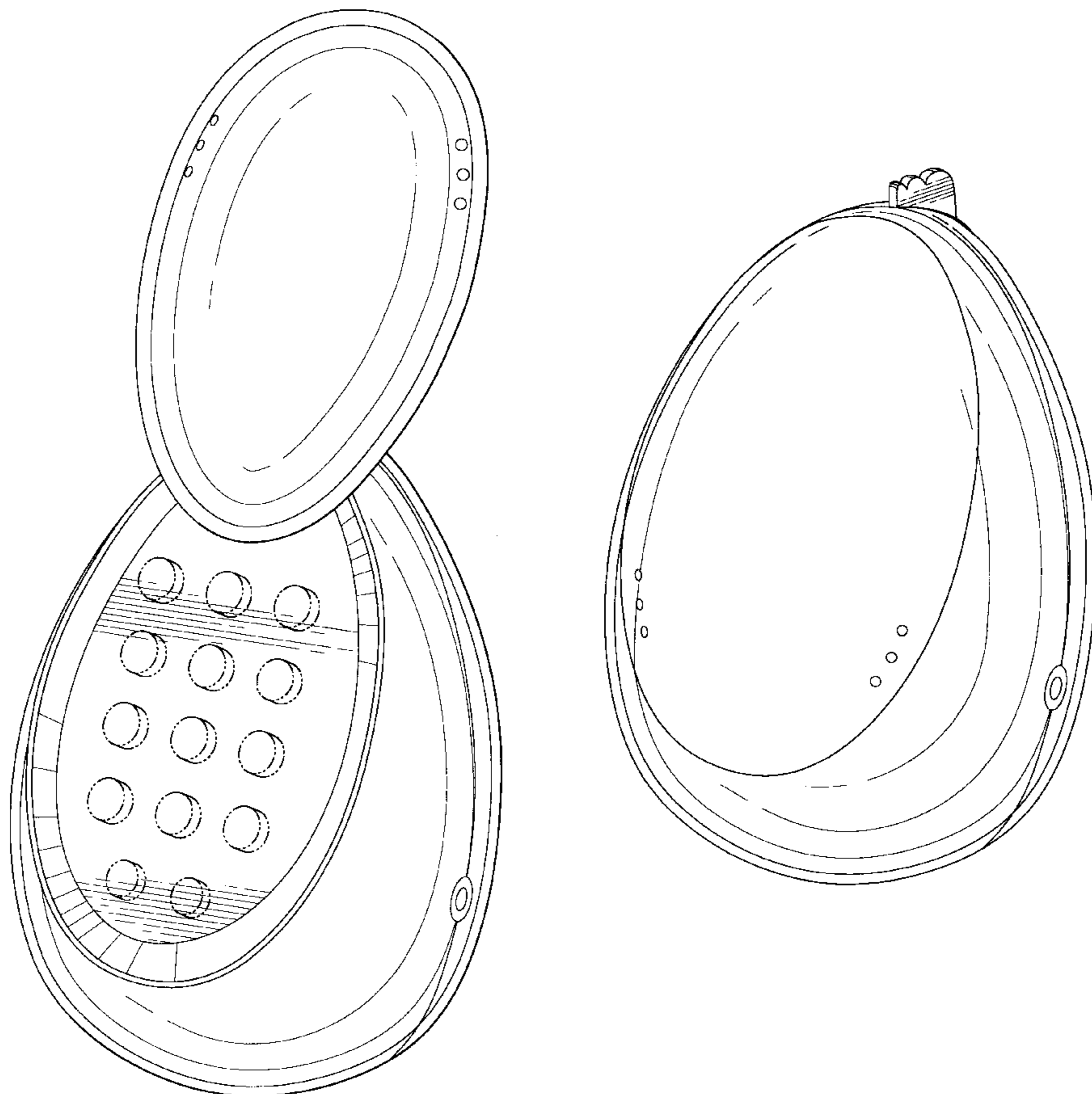


FIG. 1

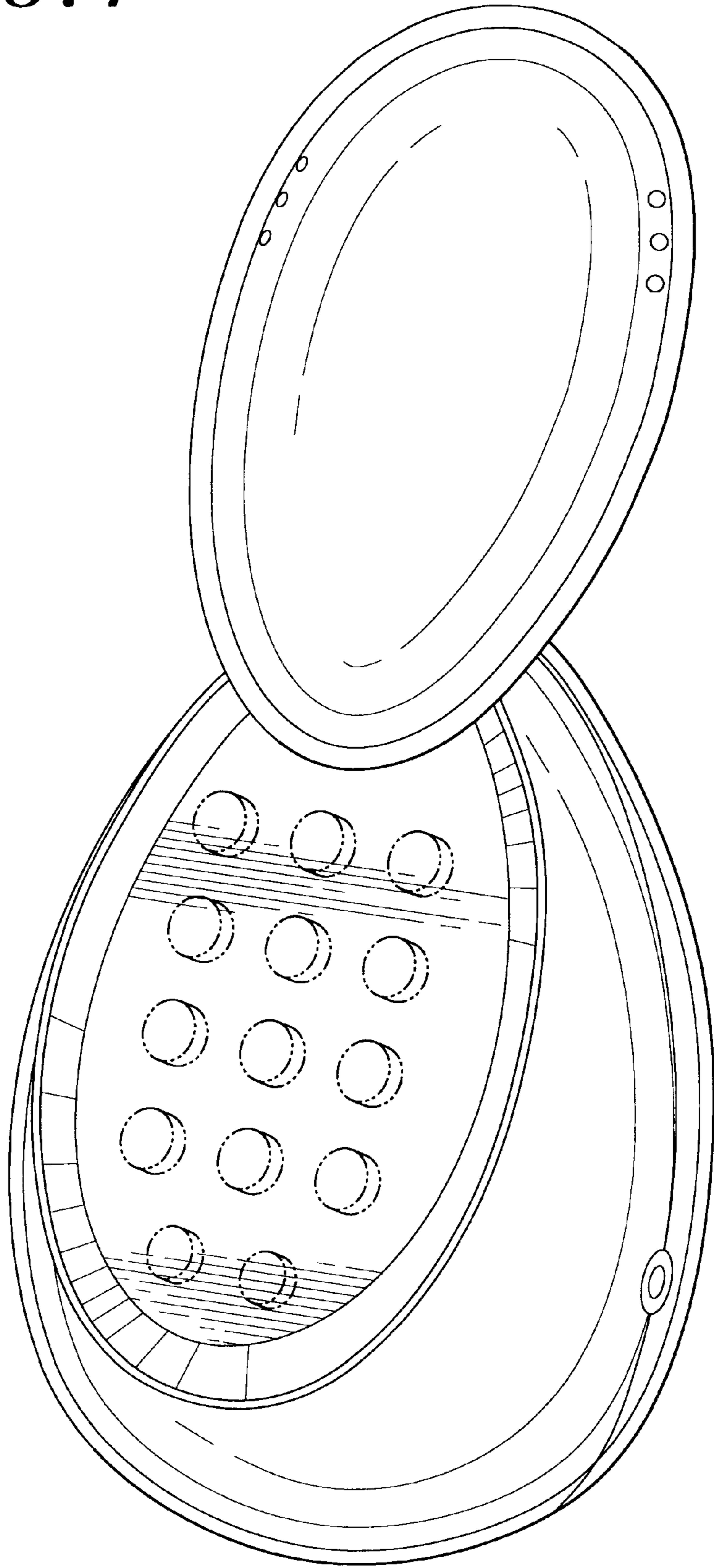


FIG.5

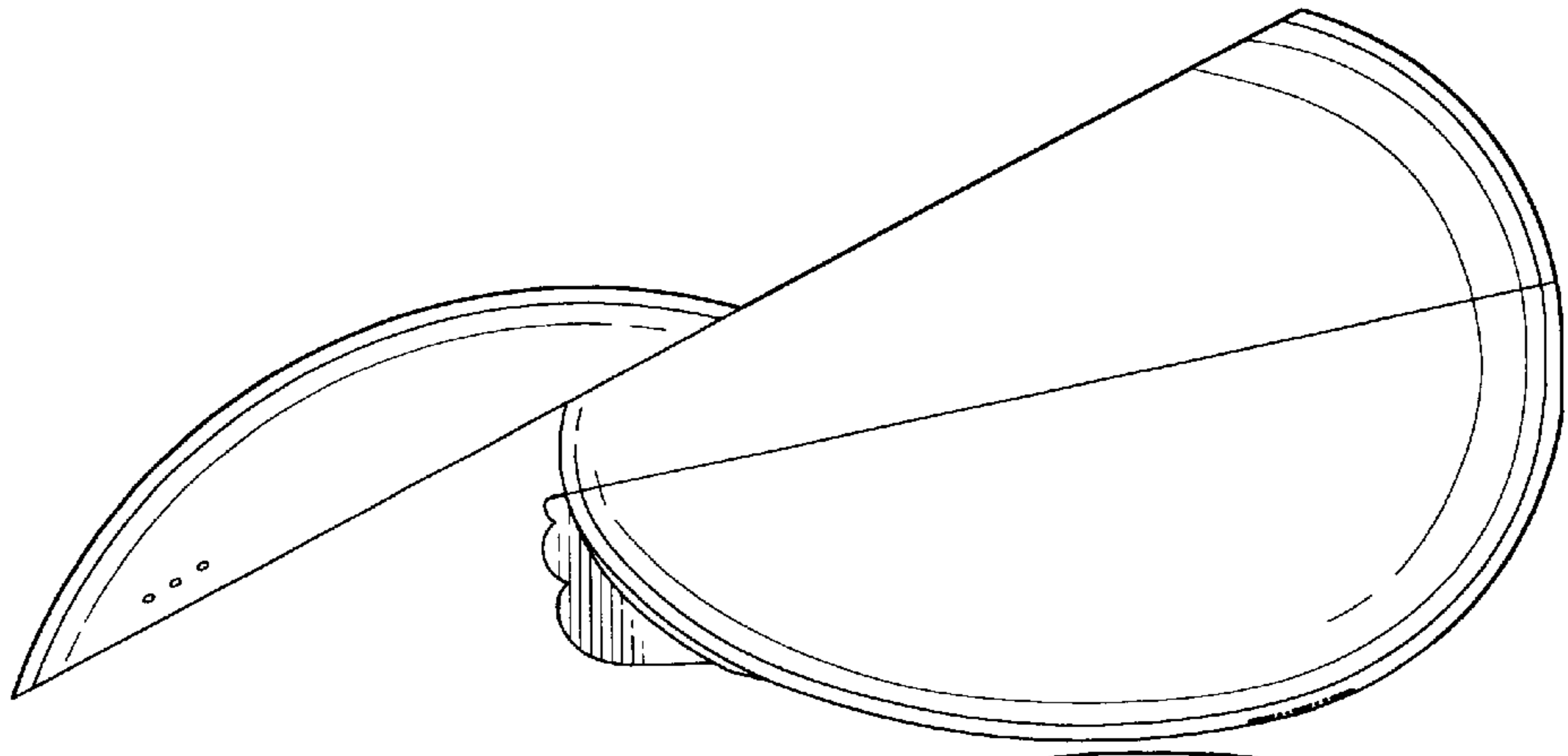


FIG.4

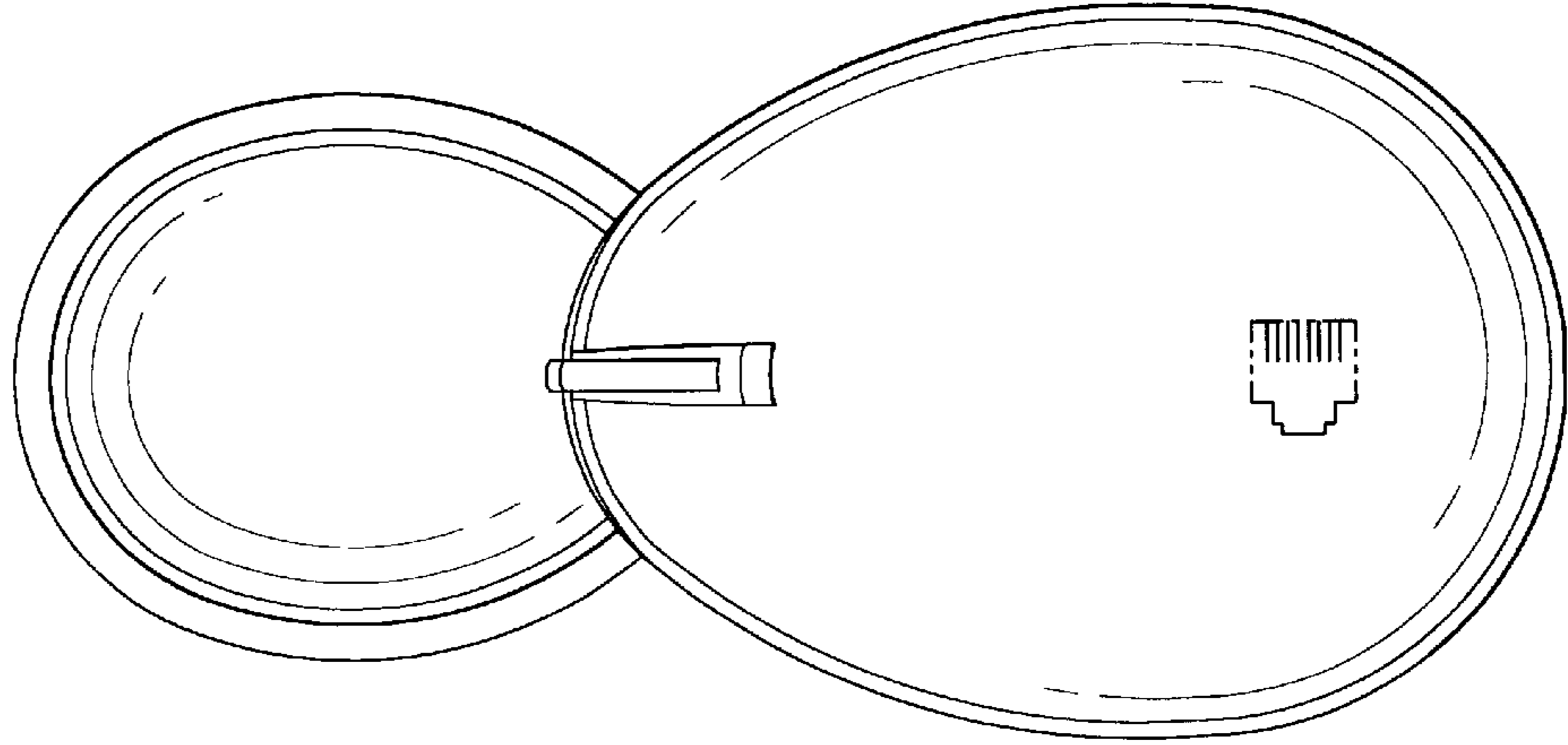


FIG.3

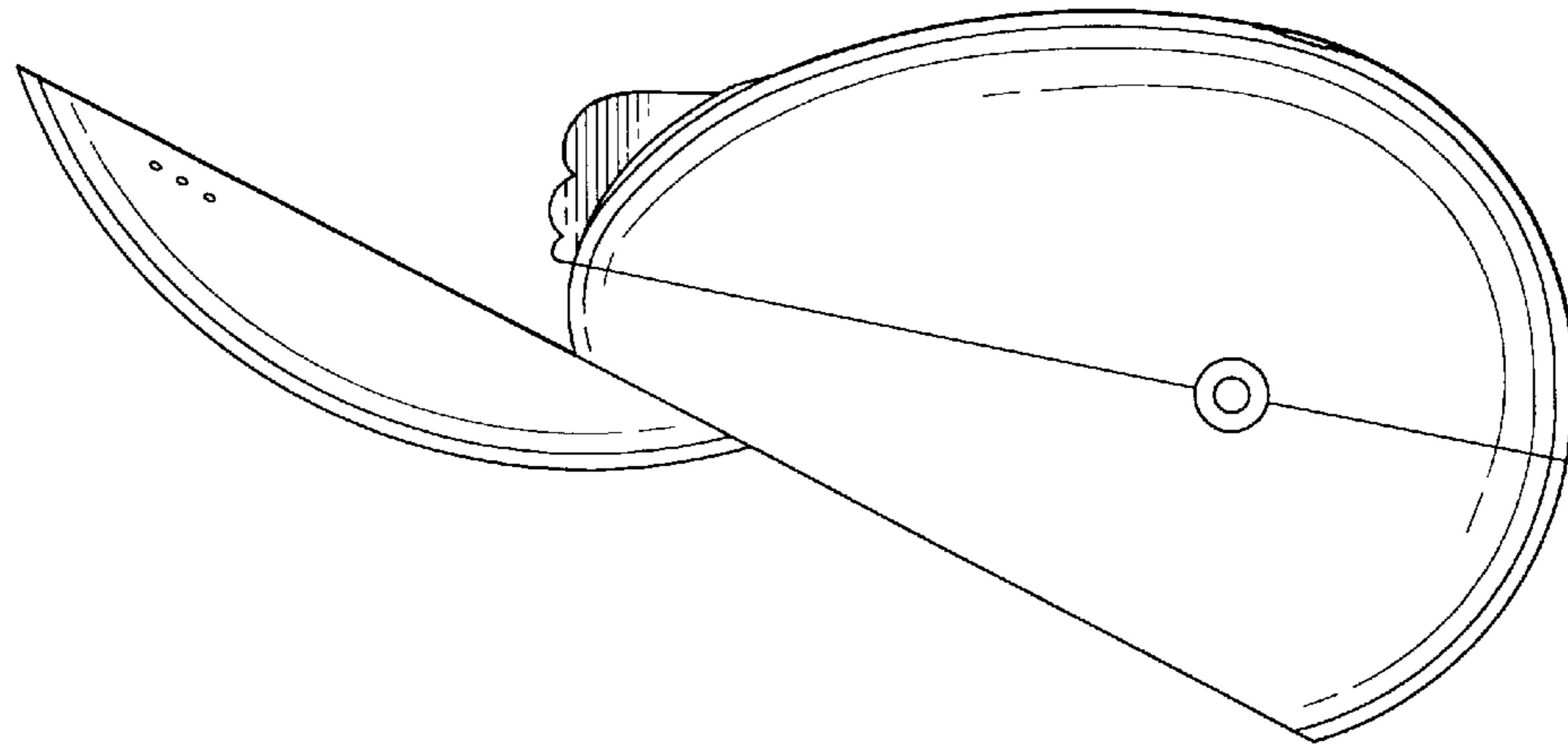


FIG.2

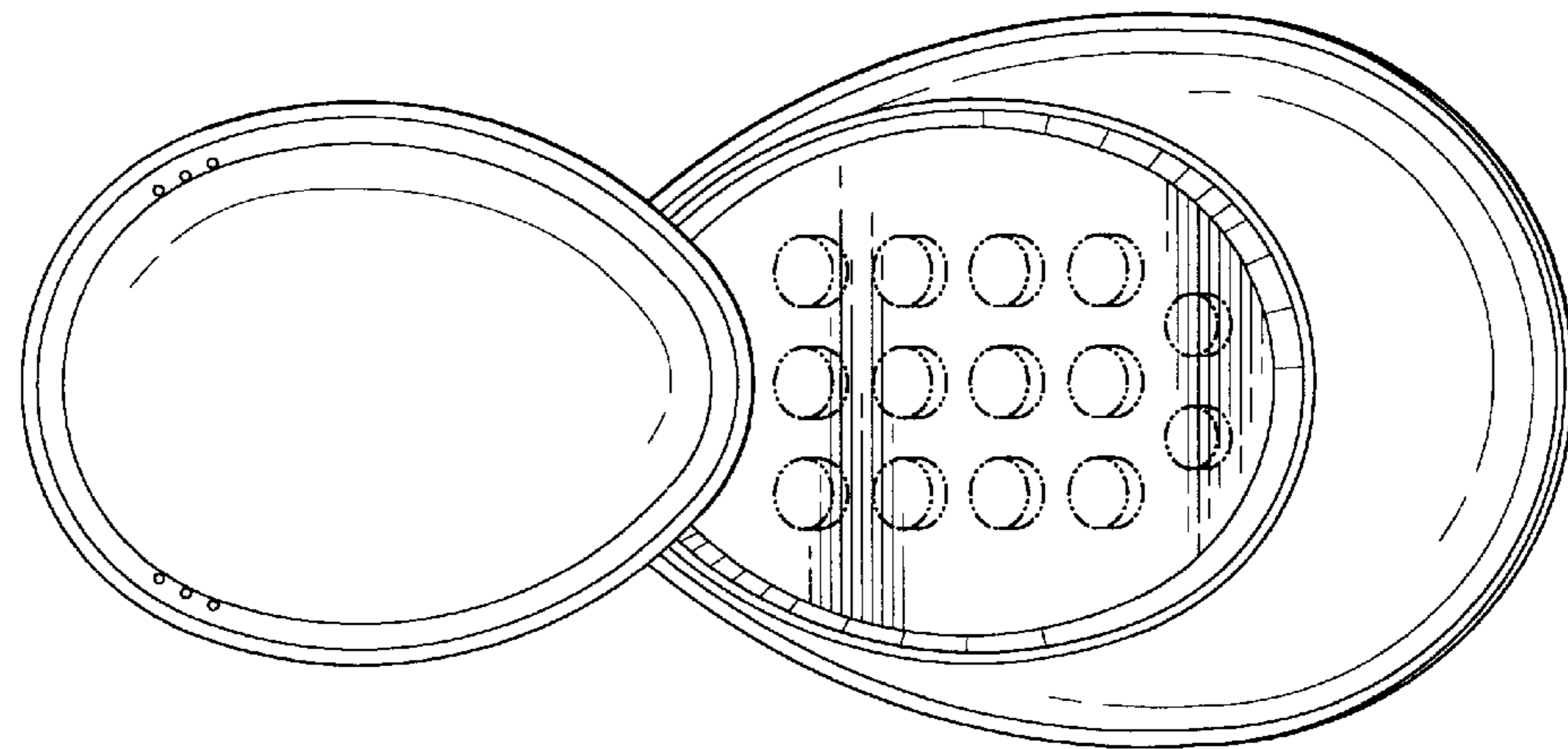


FIG. 6

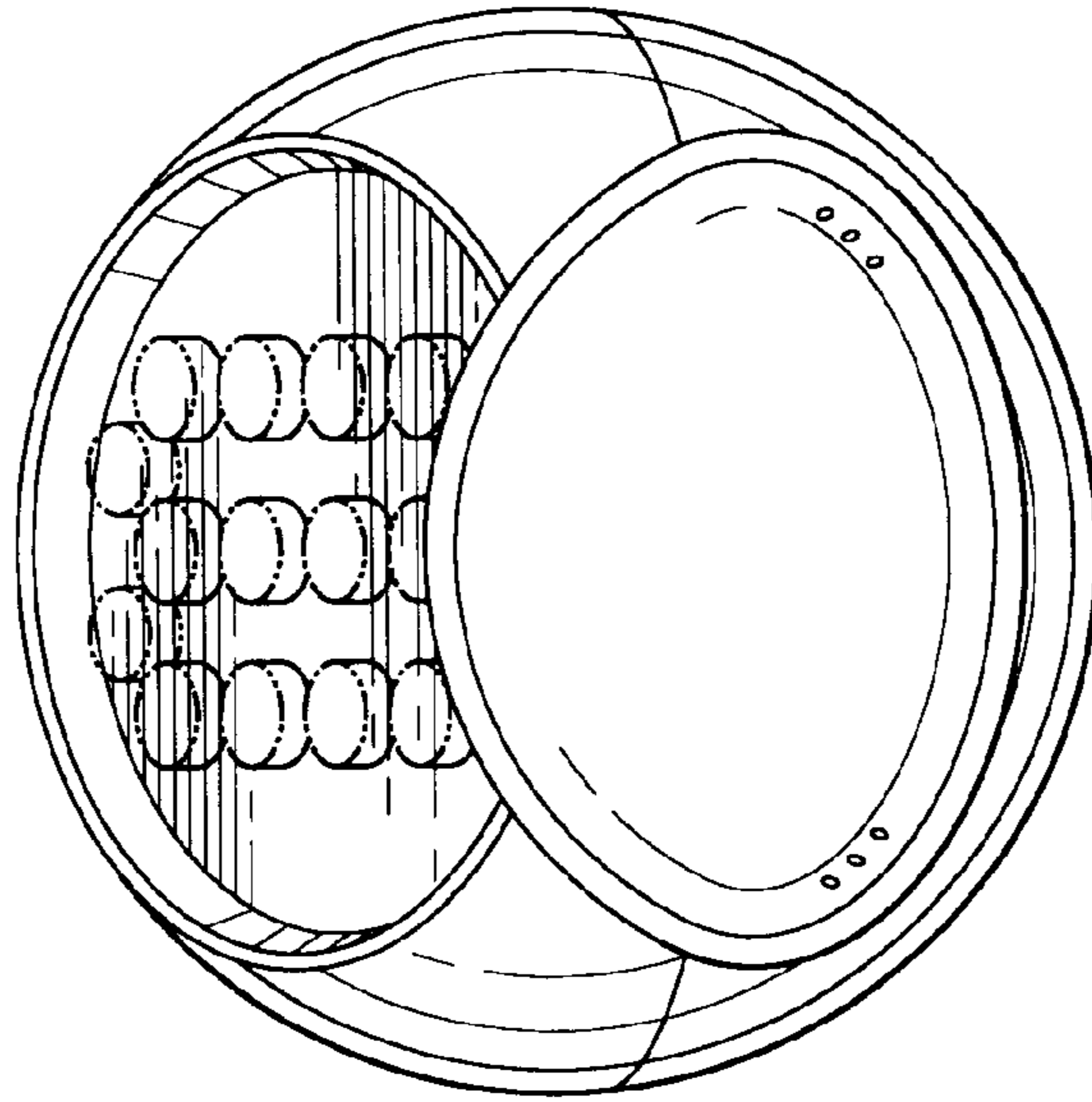


FIG. 7

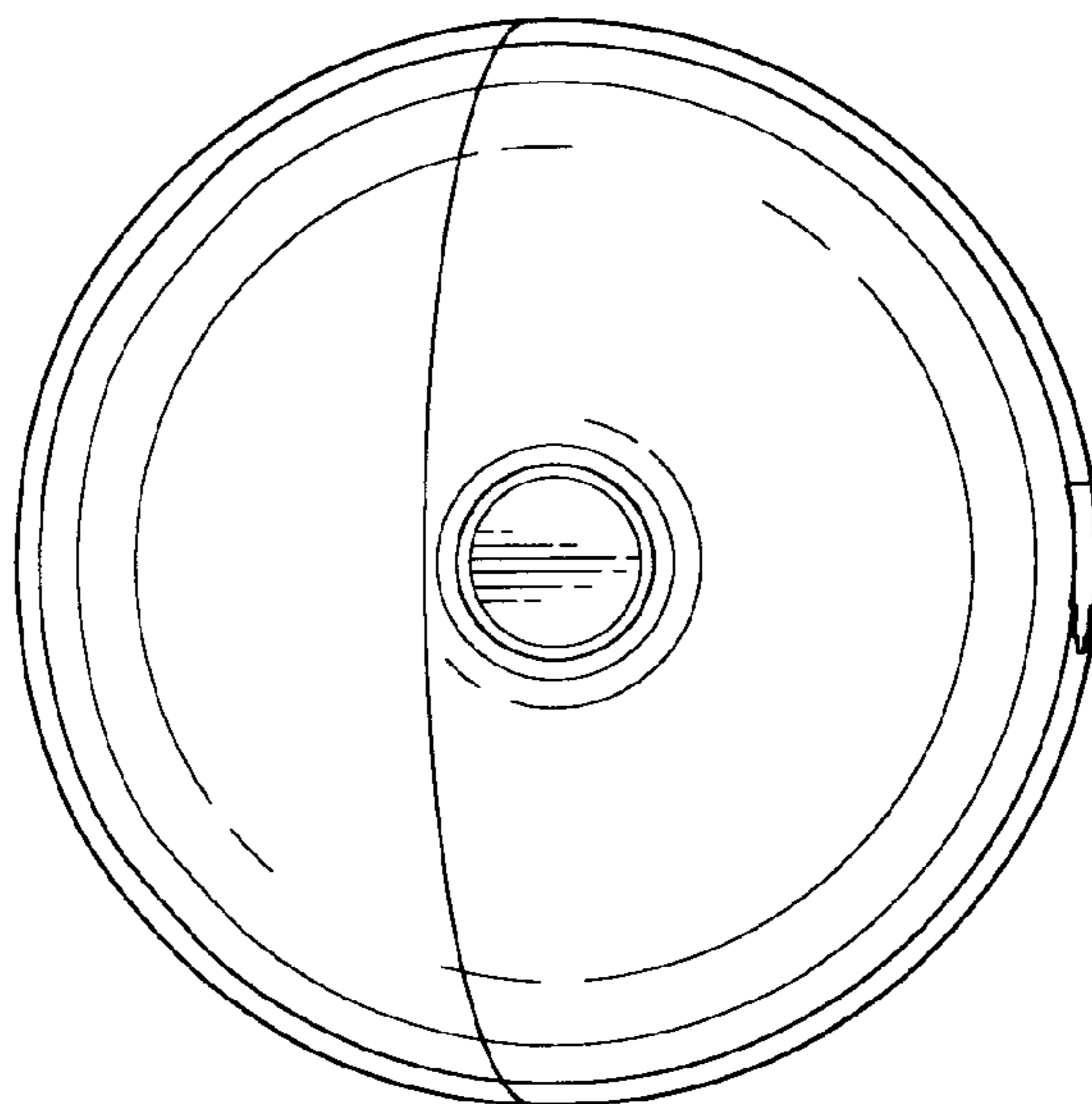


FIG. 8

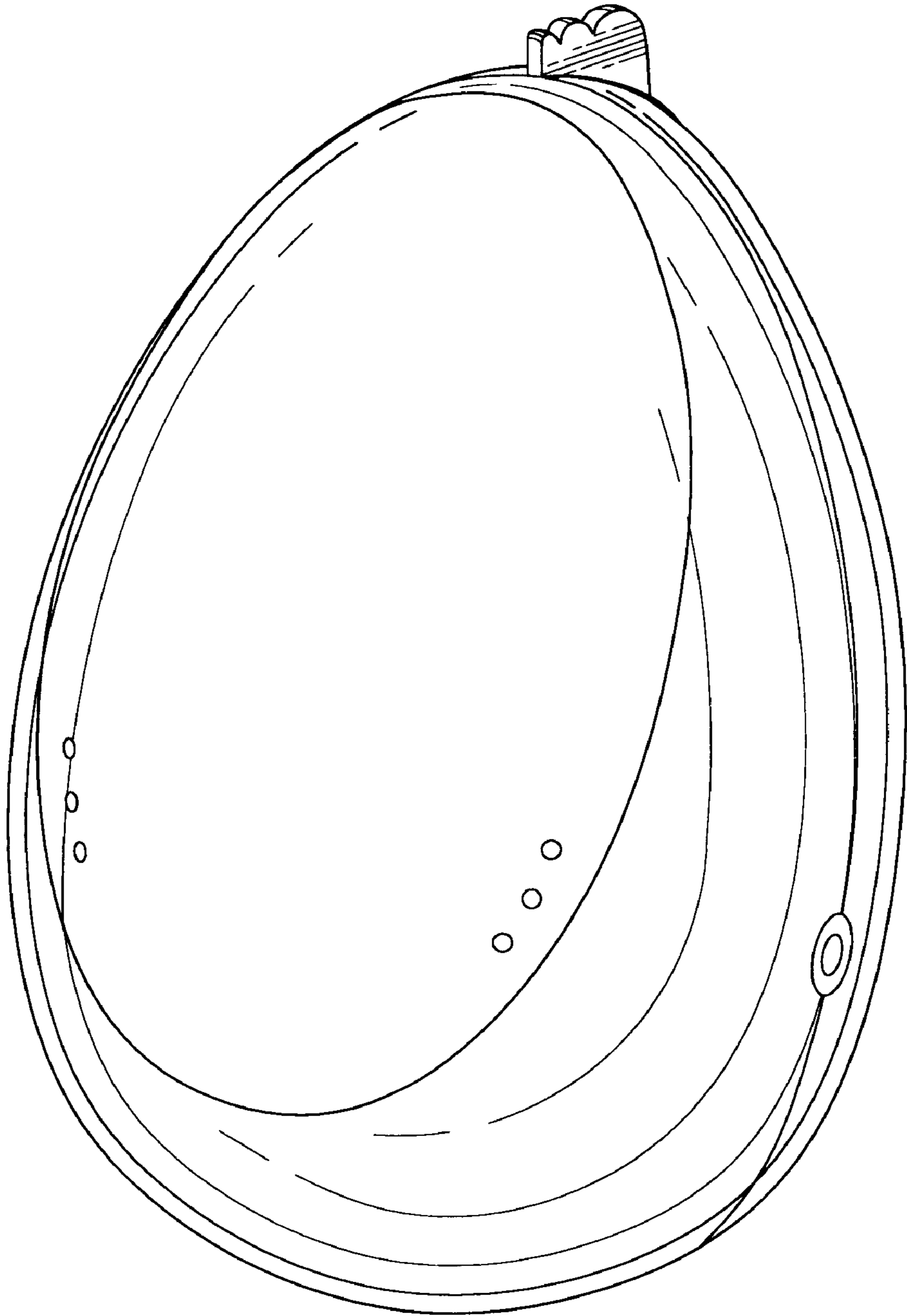


FIG.12

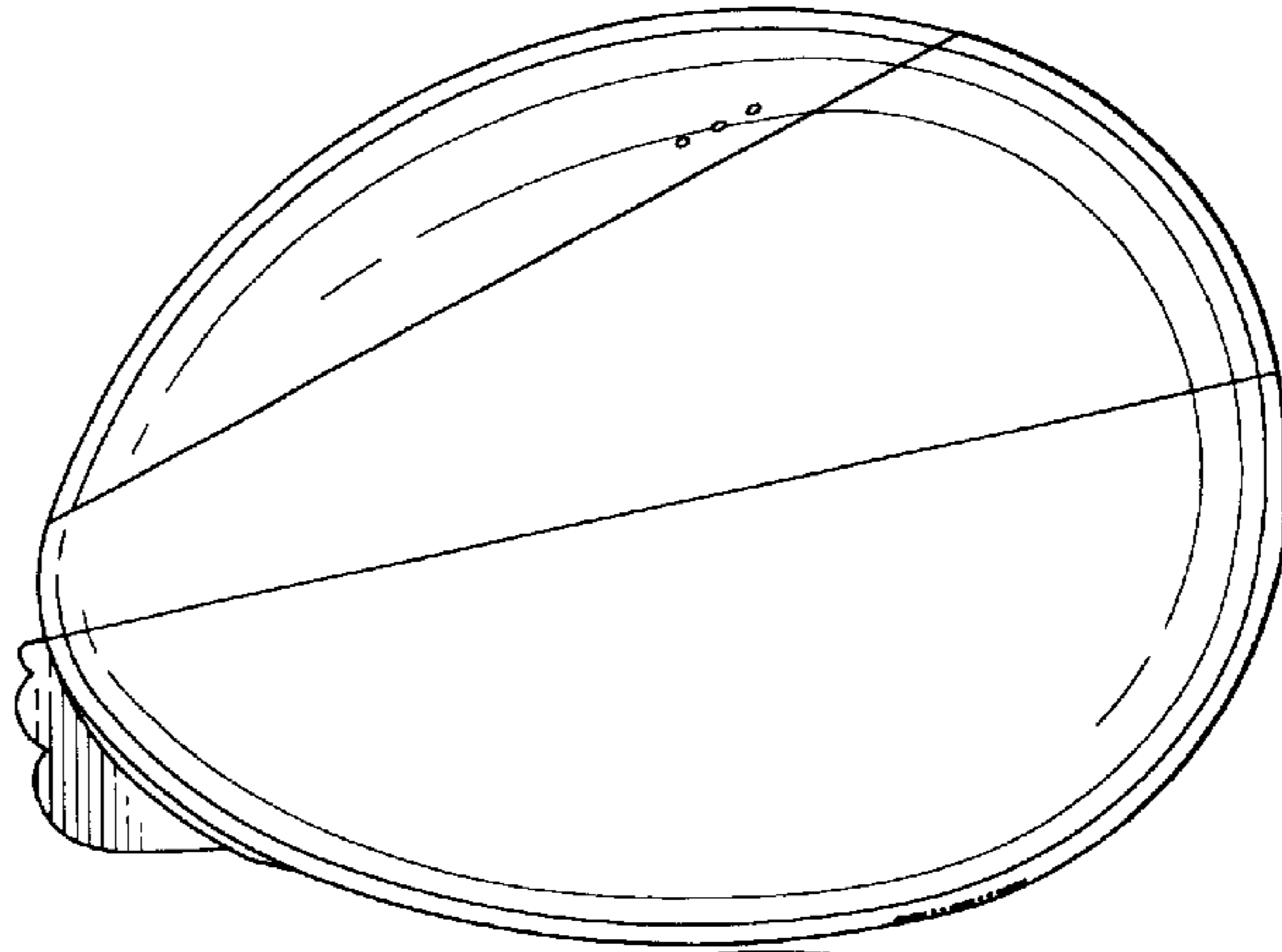


FIG.11

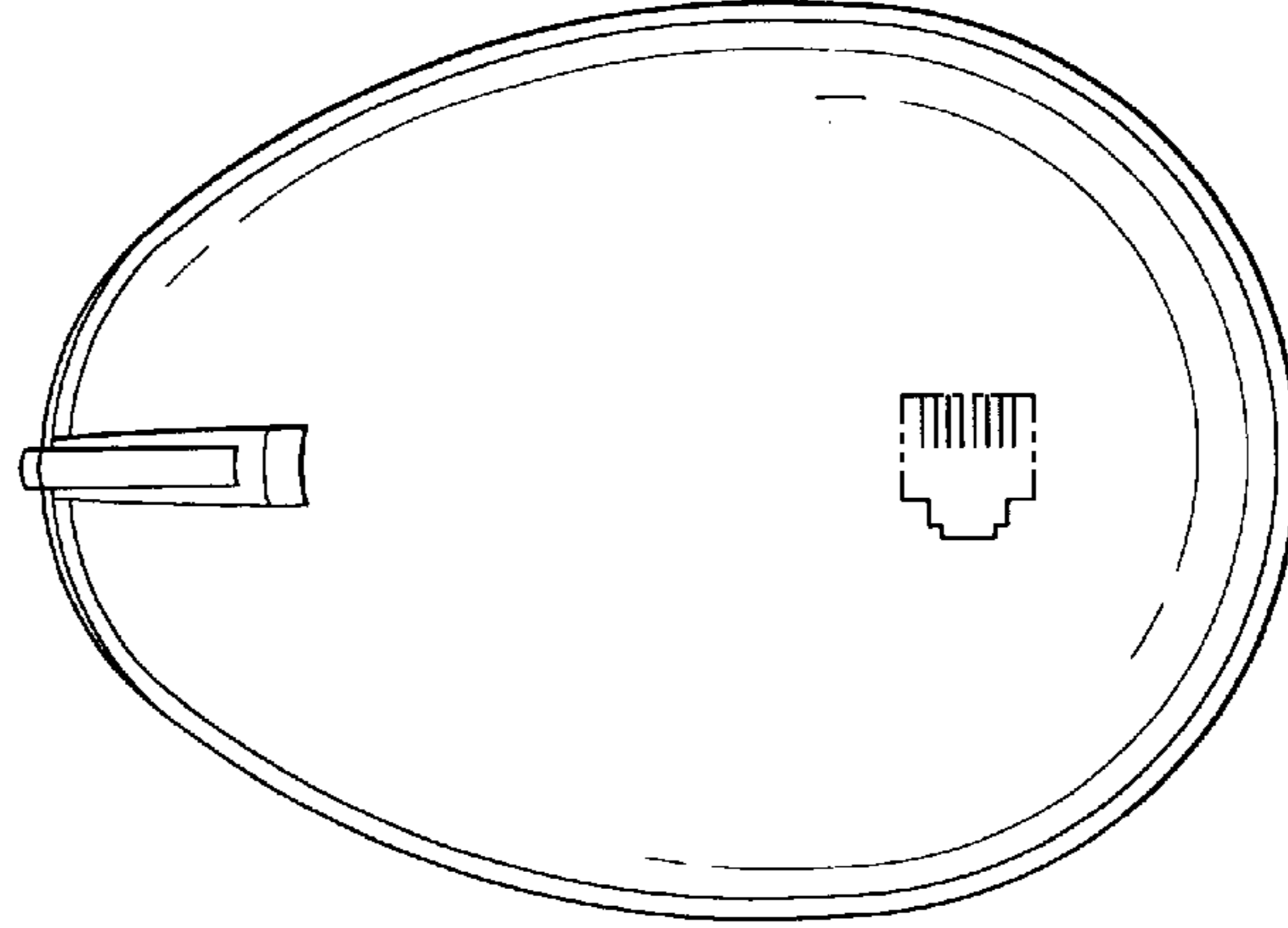


FIG.10

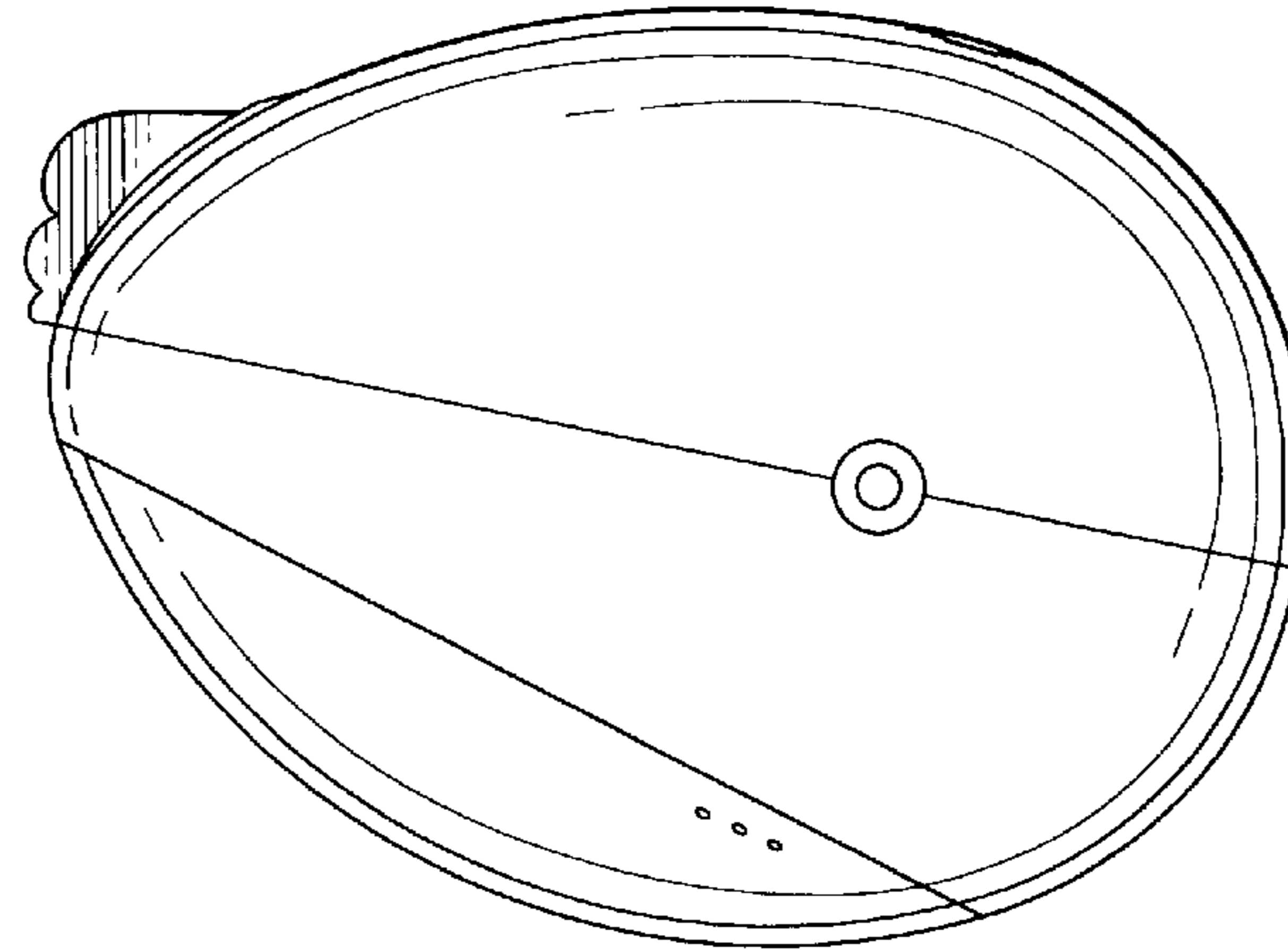


FIG.9

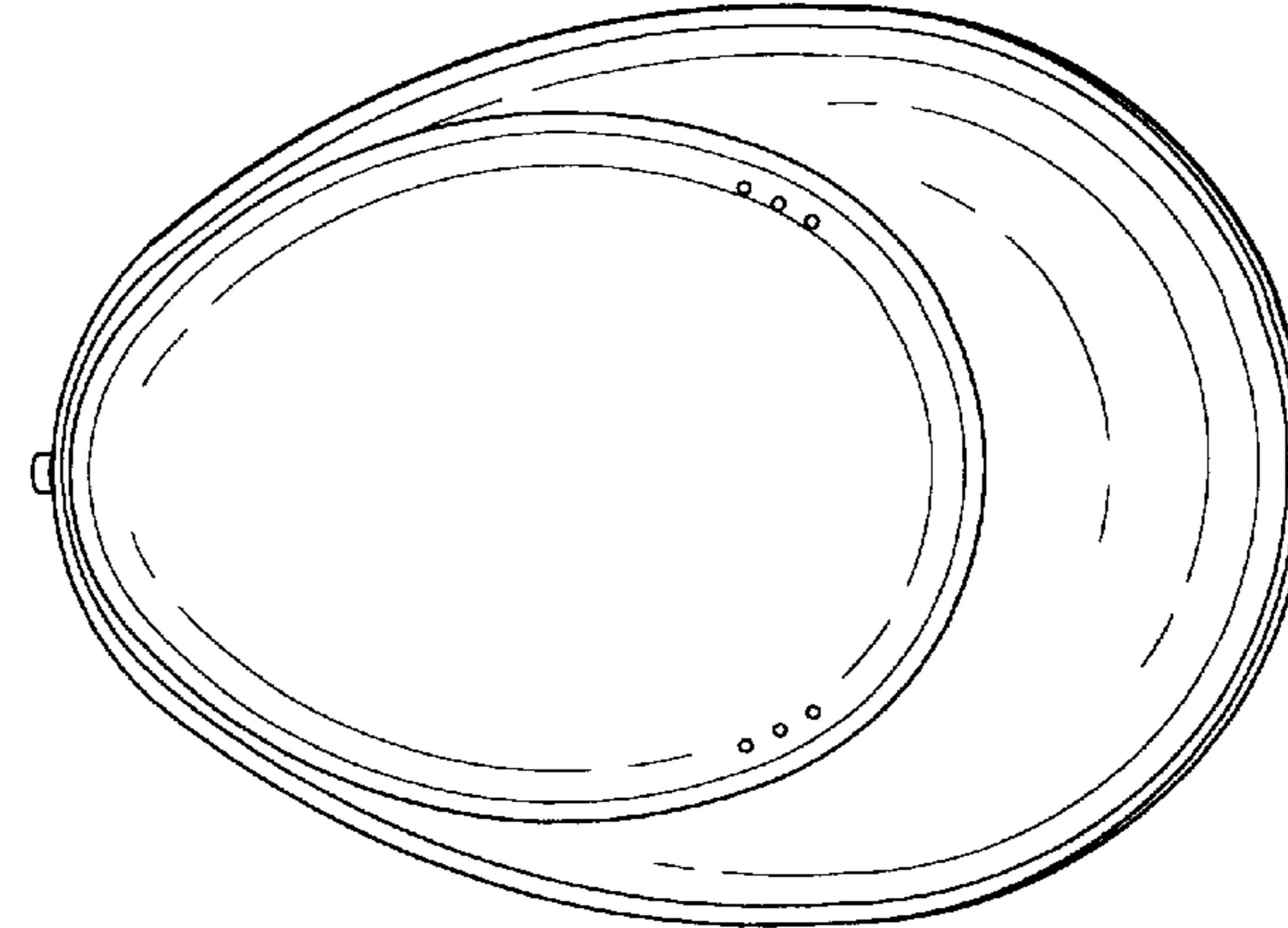


FIG. 13

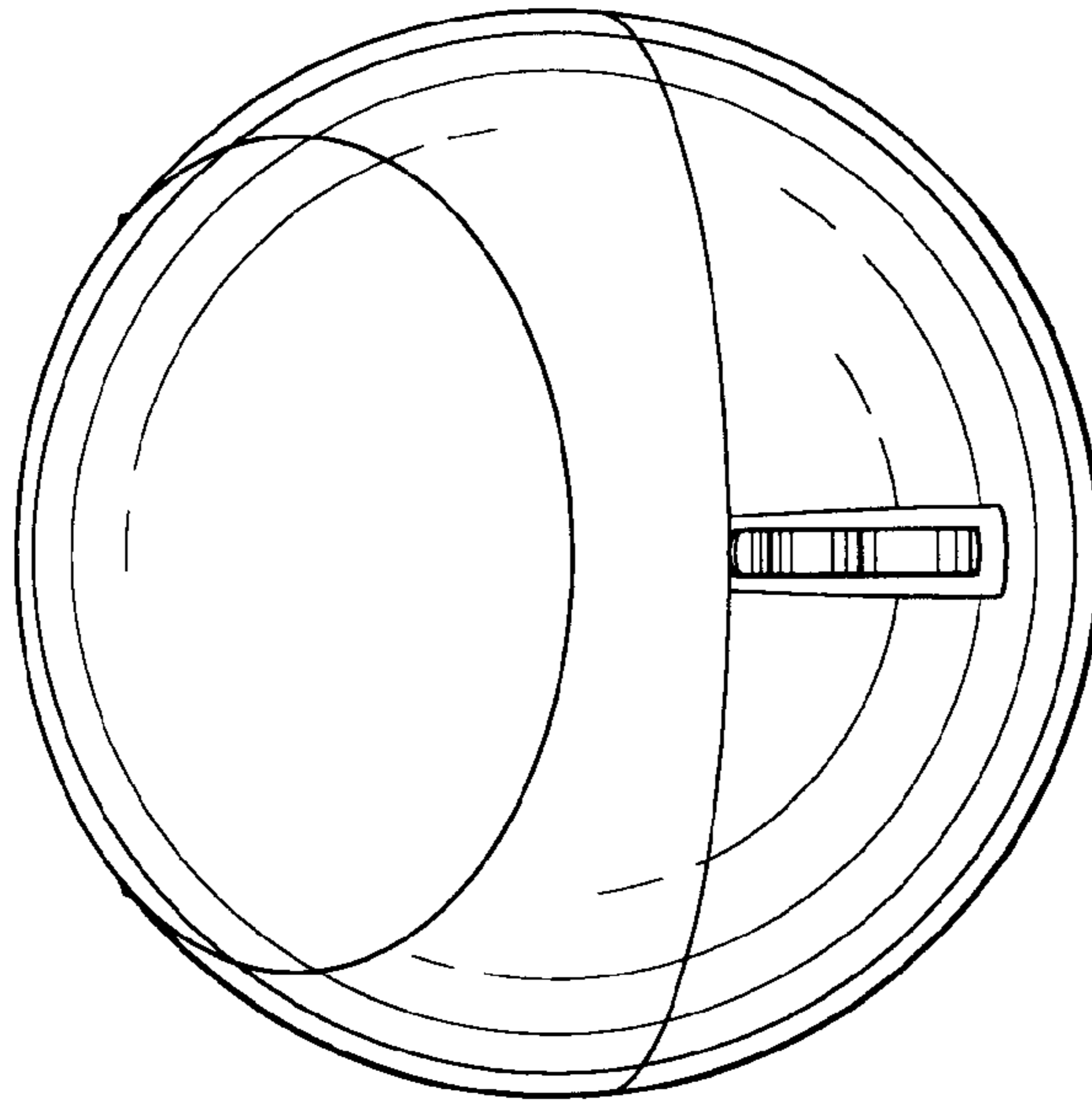


FIG. 14

