



US00D424546S

United States Patent [19]

Aeschbacher et al.

[11] Patent Number: **Des. 424,546**

[45] Date of Patent: **** May 9, 2000**

[54] **BEZEL FOR A COMPUTER MONITOR**

D. 336,901 6/1993 Jaeb et al. D14/115
D. 360,626 7/1995 MacMurtrie D14/115

[75] Inventors: **Daniel Aeschbacher**, Mont-sur-Rolle, Switzerland; **Phillippe E. Girard**, St. Julien-en-Genevois, France

Primary Examiner—Freda Nunn

[73] Assignee: **Hewlett-Packard Company**, Palo Alto, Calif.

[57] CLAIM

We claim the ornamental design for a bezel for a computer monitor, as shown and described.

[**] Term: **14 Years**

DESCRIPTION

[21] Appl. No.: **29/096,662**

FIG. 1 is a top, front perspective view of a bezel for a computer monitor showing my new design; FIG. 2 is a front elevation view of the bezel for a computer monitor of FIG. 1, showing my new design; FIG. 3 is a top plan view of the bezel for a computer monitor of FIG. 1, showing my new design; FIG. 4 is a bottom plan view of the bezel for a computer monitor of FIG. 1, showing my new design; and, FIG. 5 is a right side elevation view of the bezel for a computer monitor of FIG. 1, showing my new design, the left side elevation view being a mirror image thereof. The broken lines are shown in FIG. 1 for illustrative purposes only and form no part of the claimed design.

[22] Filed: **Nov. 18, 1998**

[51] **LOC (7) Cl.** **14-02**

[52] **U.S. Cl.** **D14/115**

[58] **Field of Search** D14/100, 114, D14/101, 115, 257, 258; D13/162, 164, 177, 184, 199; D10/103; 312/223.2; 361/600, 622, 724-728

[56] References Cited

U.S. PATENT DOCUMENTS

D. 291,086 7/1987 Price D14/115

1 Claim, 1 Drawing Sheet

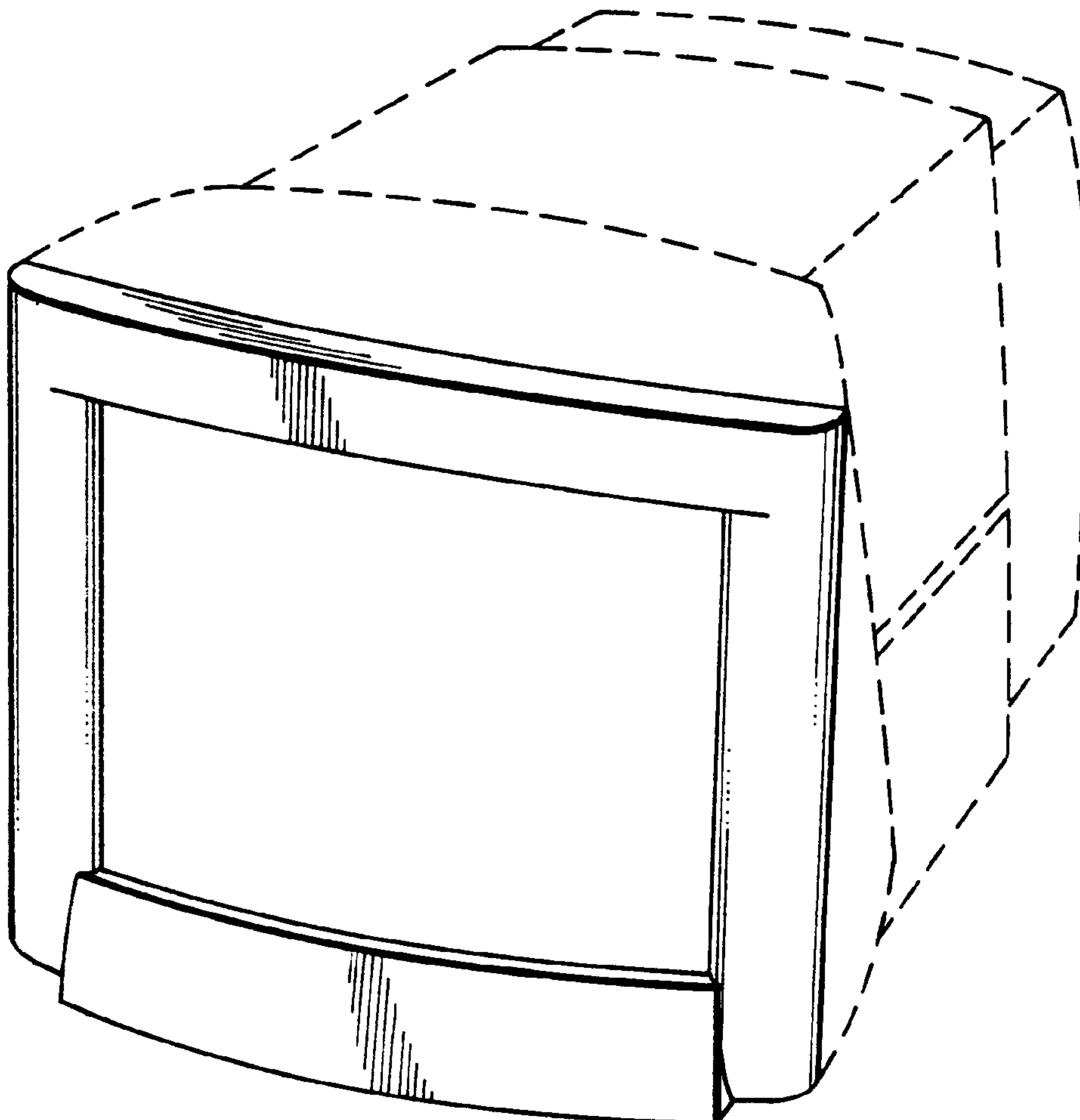


FIG. 1.

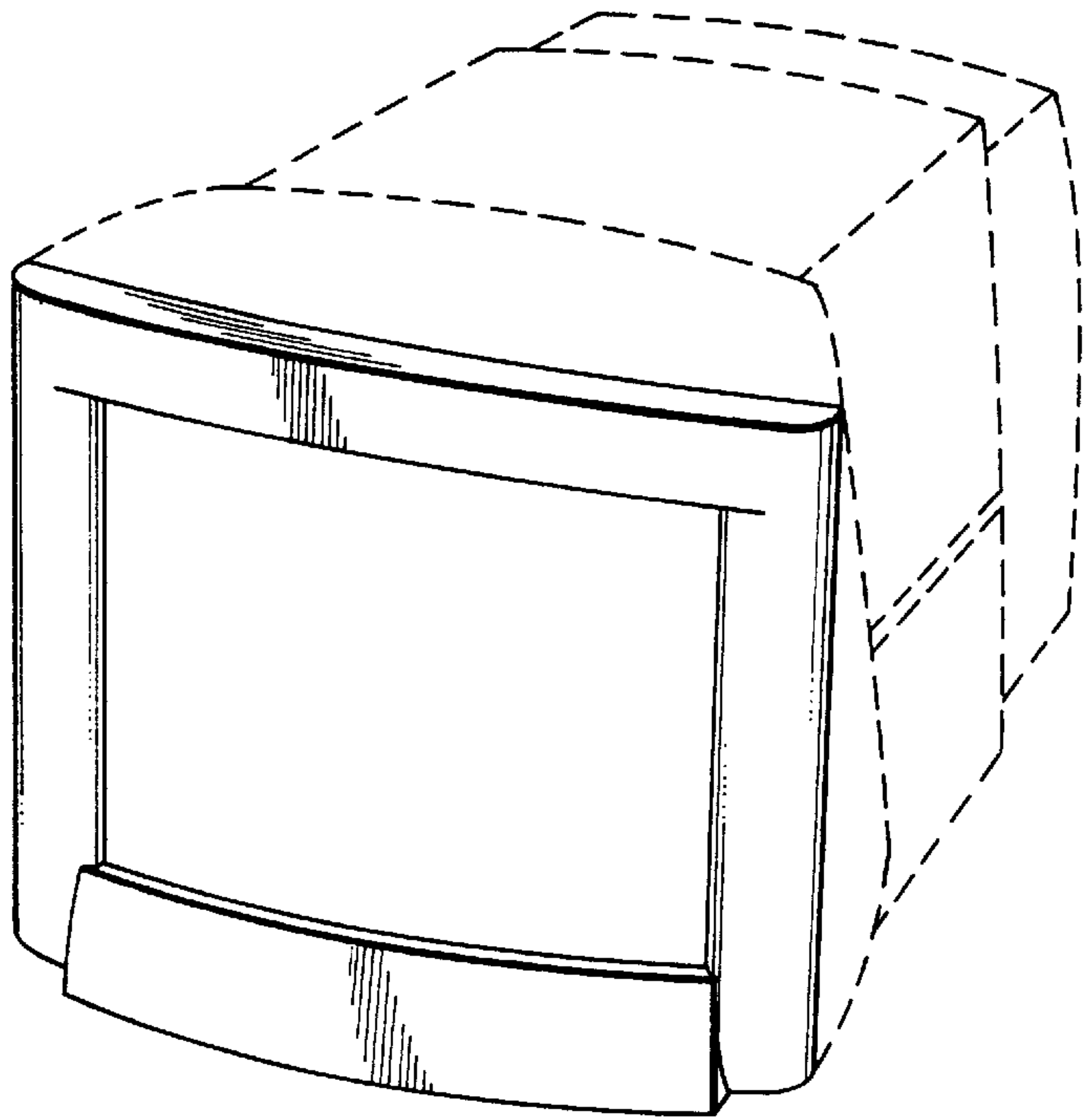


FIG. 2.

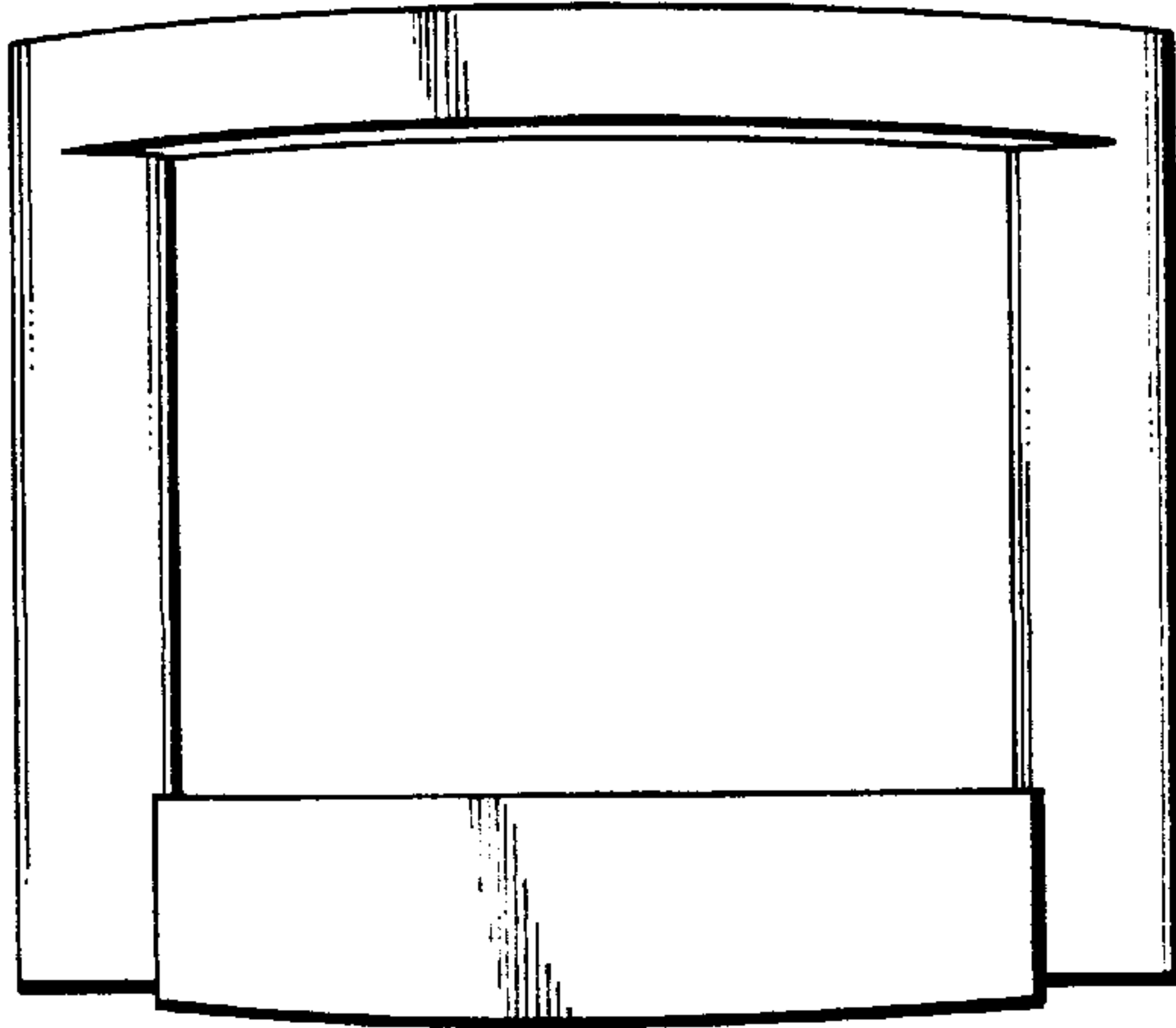


FIG. 3.



FIG. 4.

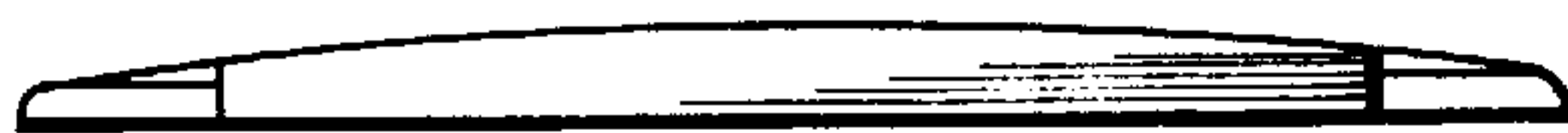


FIG. 5.

