



US00D424543S

United States Patent [19] Hodgson

[11] **Patent Number: Des. 424,543**

[45] **Date of Patent: ** May 9, 2000**

[54] **SCROLL BAR DESIGN FOR A WINDOW FOR A COMPUTER DISPLAY SCREEN**

[75] Inventor: **Peter J. Hodgson**, London, United Kingdom

[73] Assignee: **Apple Computer, Inc.**, Cupertino, Calif.

[**] Term: **14 Years**

[21] Appl. No.: **29/099,361**

[22] Filed: **Jan. 20, 1999**

Related U.S. Application Data

[62] Division of application No. 29/072,419, Jun. 18, 1997, Pat. No. Des. 406,123.

[51] **LOC (7) Cl.** **14-02**

[52] **U.S. Cl.** **D14/114.2**

[58] **Field of Search** D14/114, 114.1-114.9; D21/324-33; D18/24-33; D20/11; D19/6; 345/326, 339-40, 347-57

[56] References Cited

U.S. PATENT DOCUMENTS

D. 296,114	6/1988	Wells-Papanek et al. .	
D. 297,243	8/1988	Wells-Papanek et al. .	
D. 388,776	1/1998	Zhang et al.	D14/114.1
D. 391,947	3/1998	Faris et al.	D14/114.2
D. 392,963	3/1998	Coleman	D14/114.2
D. 393,635	4/1998	Coleman	D14/114.2
D. 402,284	12/1998	Coleman	D14/114.2
D. 404,385	1/1999	Hodgson	D14/114.2
D. 406,123	2/1999	Hodgson	D14/114.2
5,202,961	4/1993	Mills et al.	395/159
5,371,844	12/1994	Andrew et al.	395/155
5,388,202	2/1995	Squires et al.	395/157
5,450,540	9/1995	Spohrer et al.	395/155
5,469,540	11/1995	Powers, III et al.	395/158

5,537,529	7/1996	Borovoy et al.	395/155
5,559,942	9/1996	Gough et al.	395/155
5,603,034	2/1997	Swanson	395/701
5,621,876	4/1997	Odam et al.	395/765
5,627,954	5/1997	McFarland	395/139
5,644,334	7/1997	Jones et al.	345/119
5,675,520	10/1997	Pitt, III et al.	364/578

OTHER PUBLICATIONS

Human Interface Guidelines: The Apple Desktop Interface, 1992, pp. 20-27, 40-48, 65-73, and 87-88.
Microsoft Windows 3.1 Users Guide, 1992, pp. 3, 13 and 14.
Building User Interfaces By Direct Manipulation, Luca Cardelli, 1988, pp. 152-166.

Primary Examiner—M. H. Tung
Attorney, Agent, or Firm—Nancy R. Simon

[57] CLAIM

The ornamental design for a scroll bar design for a window for a computer display screen, as shown and described.

DESCRIPTION

The file of this patent contains at least one drawing executed in color. Copies of this patent with color drawing(s) will be provided by the Patent and Trademark Office upon request and payment of the necessary fee.

FIG. 1 is a front view of a scroll bar design for a window for a computer display screen;

FIG. 2 is a front view of a second embodiment thereof;

FIG. 3 is a front view of a third embodiment thereof;

FIG. 4 is a front view of a fourth embodiment thereof;

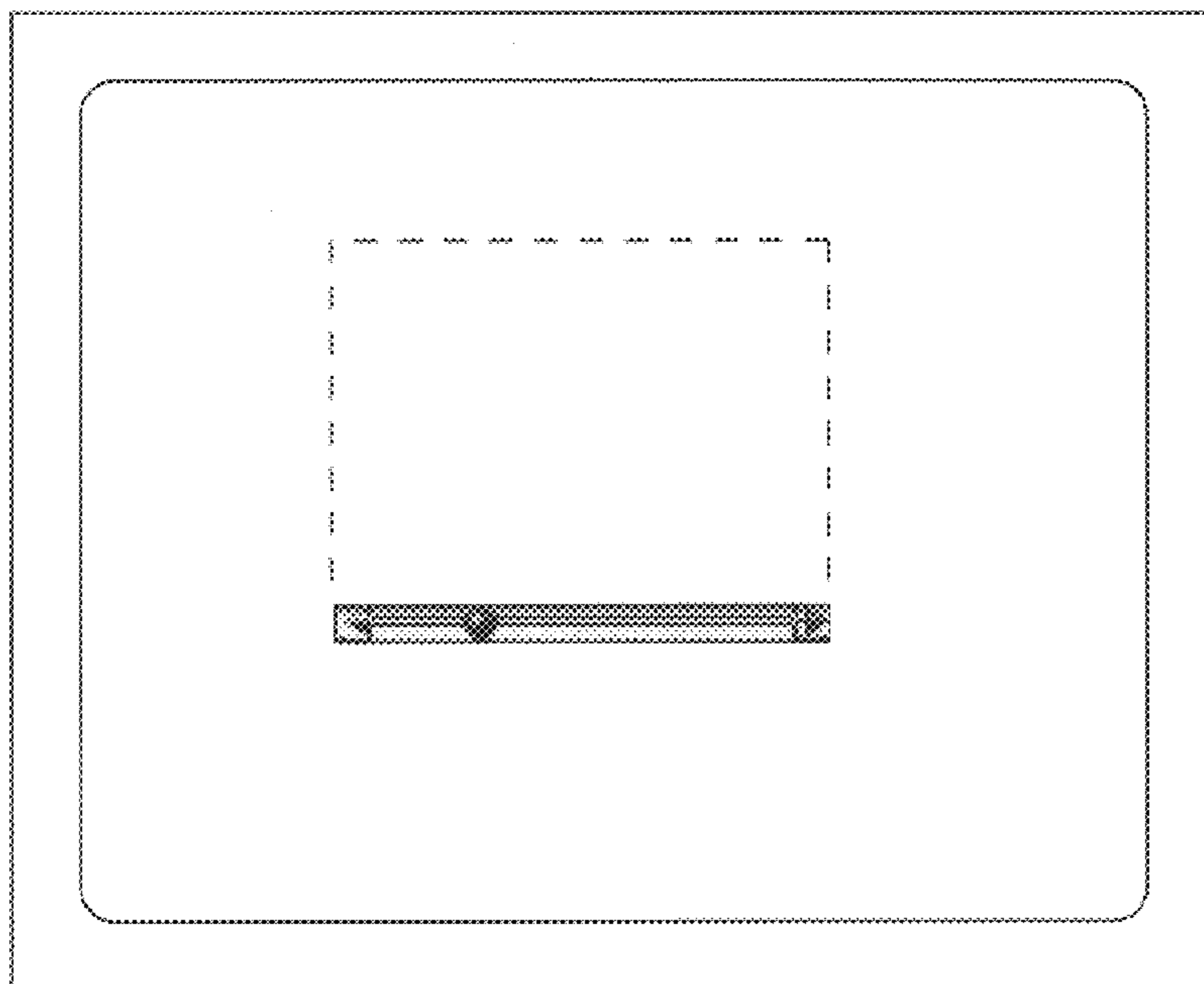
FIG. 5 is a front view of a fifth embodiment thereof; and,

FIG. 6 is a front view of a sixth embodiment thereof.

The broken line drawing of a window border in Figure. views 1 through 6 is for illustrative purposes only and forms no part of the claimed design.

1 Claim, 6 Drawing Sheets

(3 of 6 Drawing Sheet(s) Filed in Color)



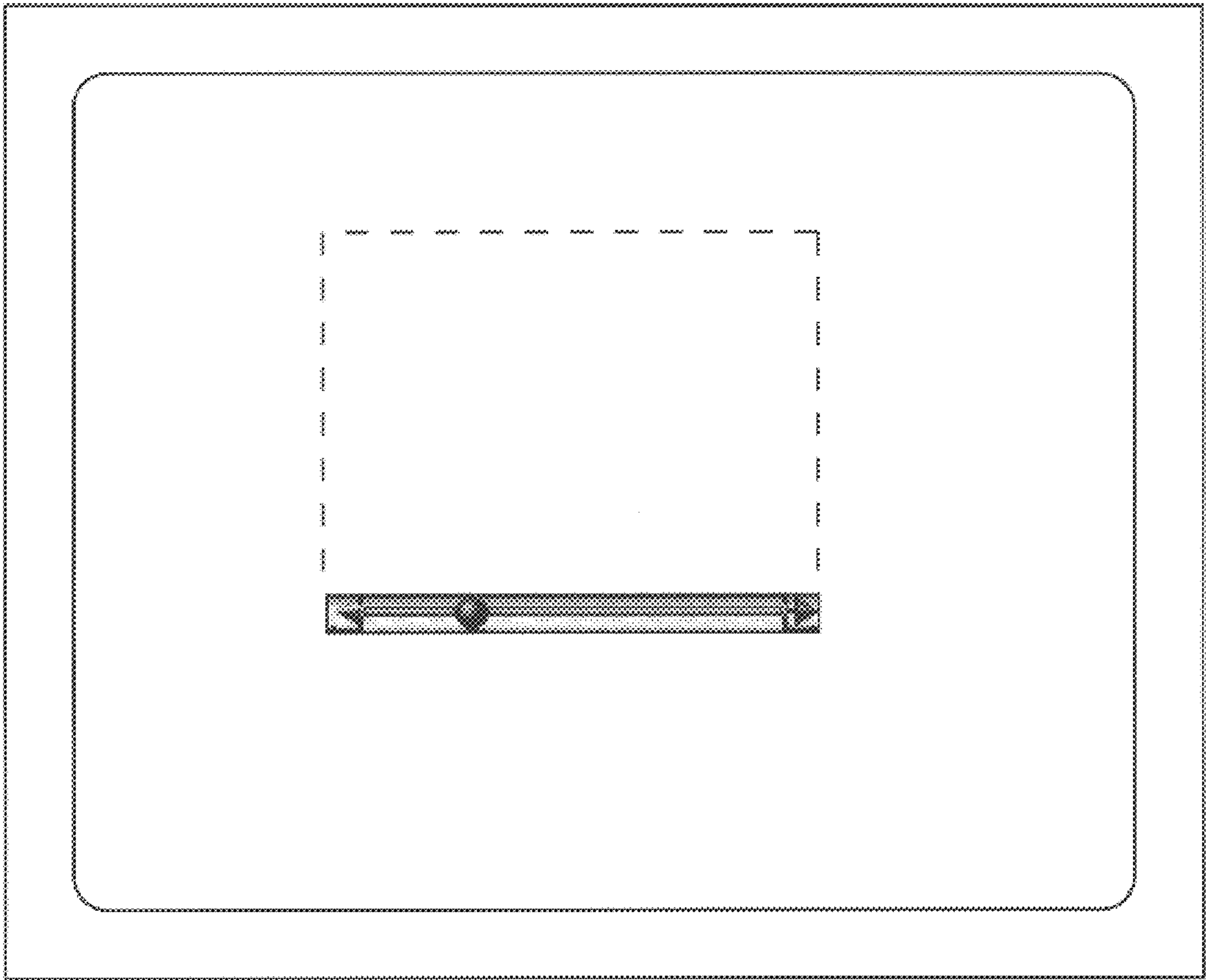


FIG. 1

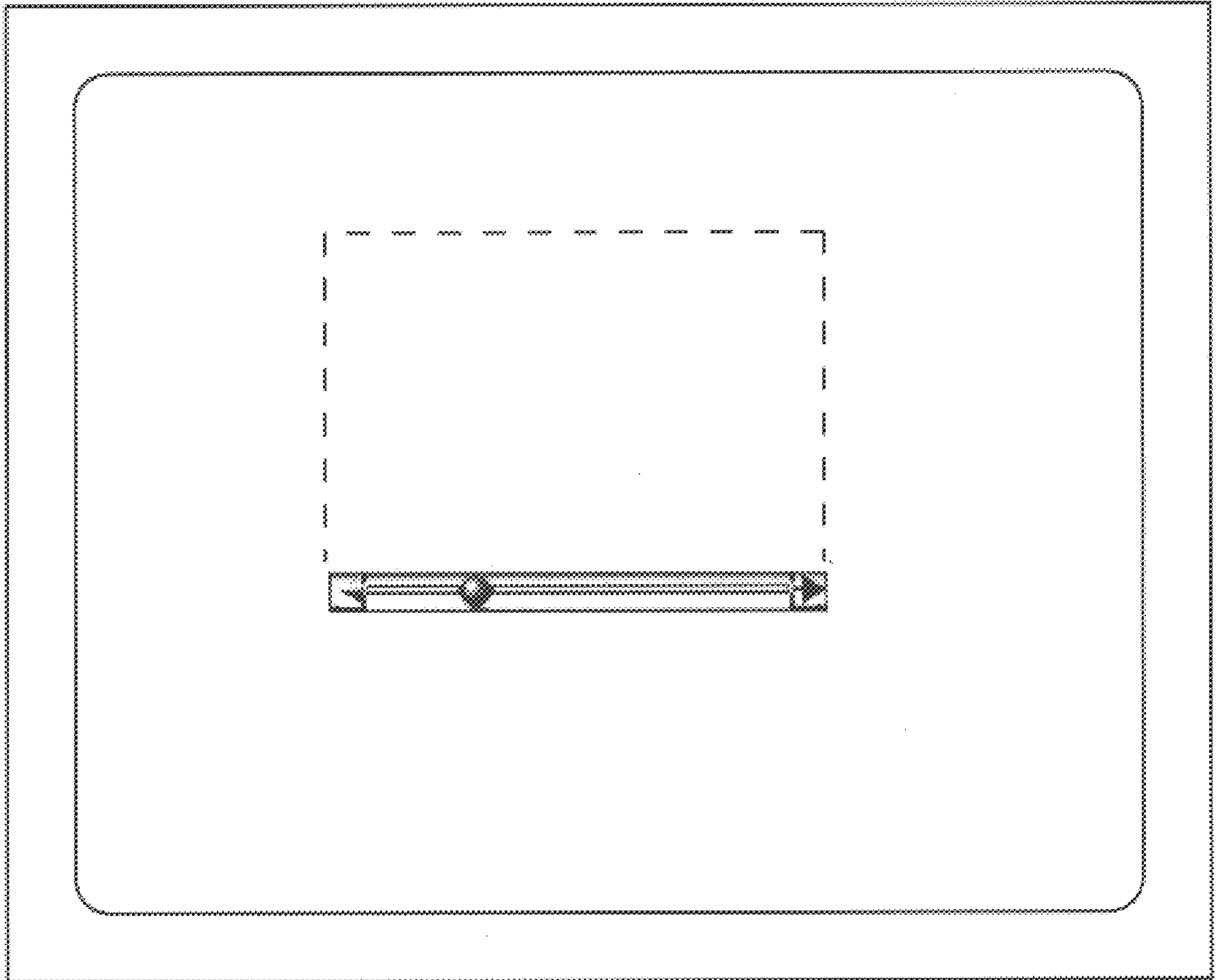


FIG. 2

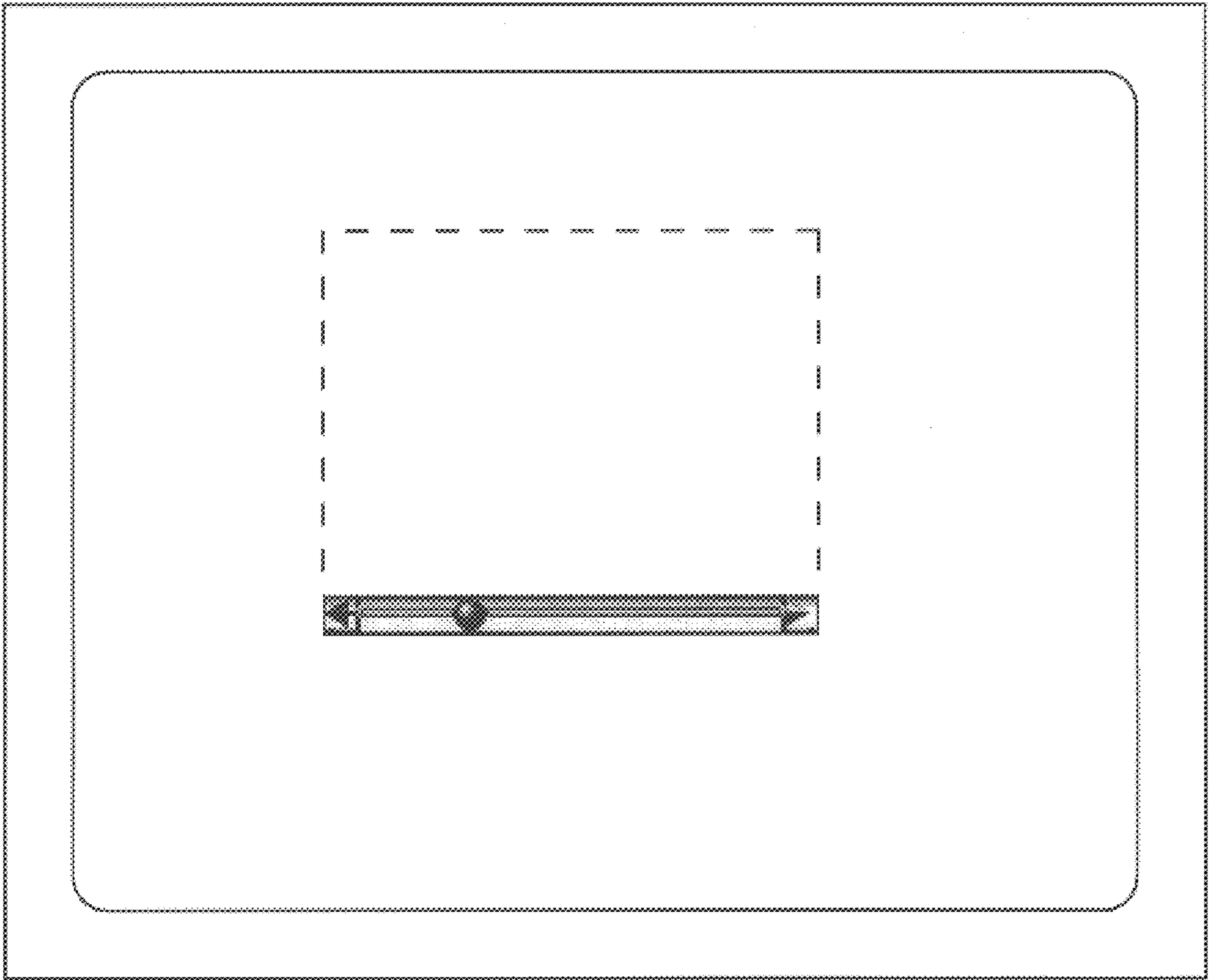


FIG. 3

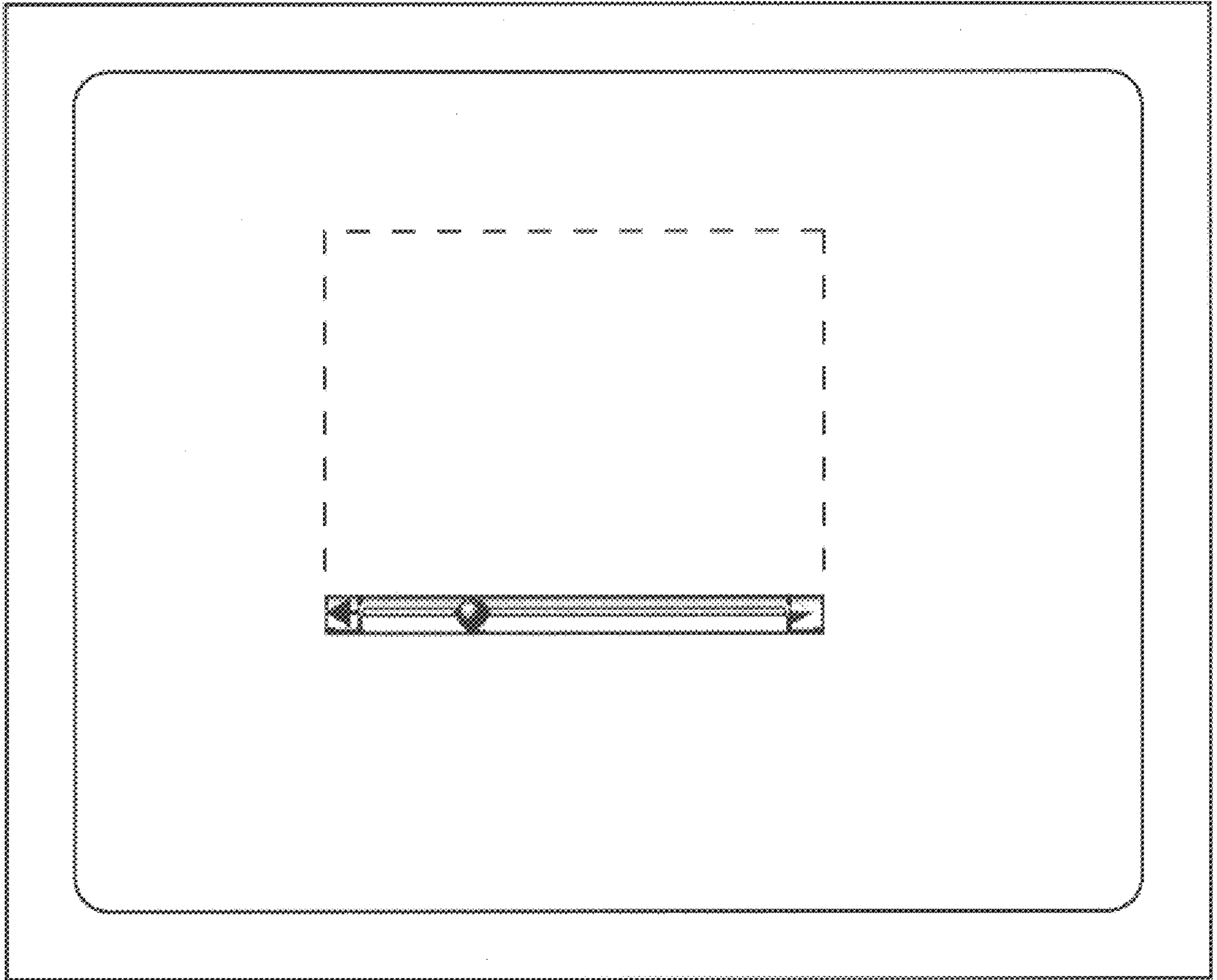


FIG. 4

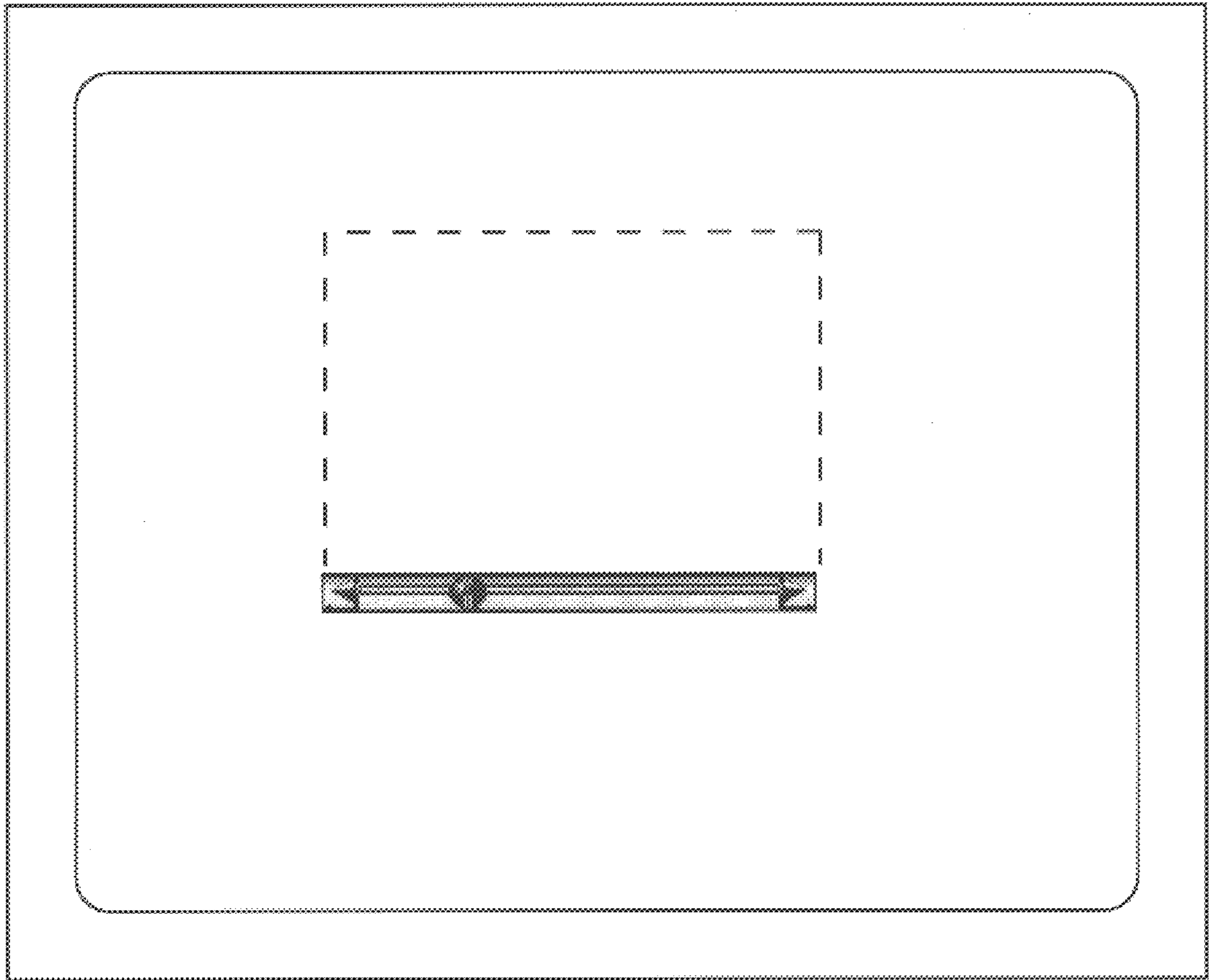


FIG. 5

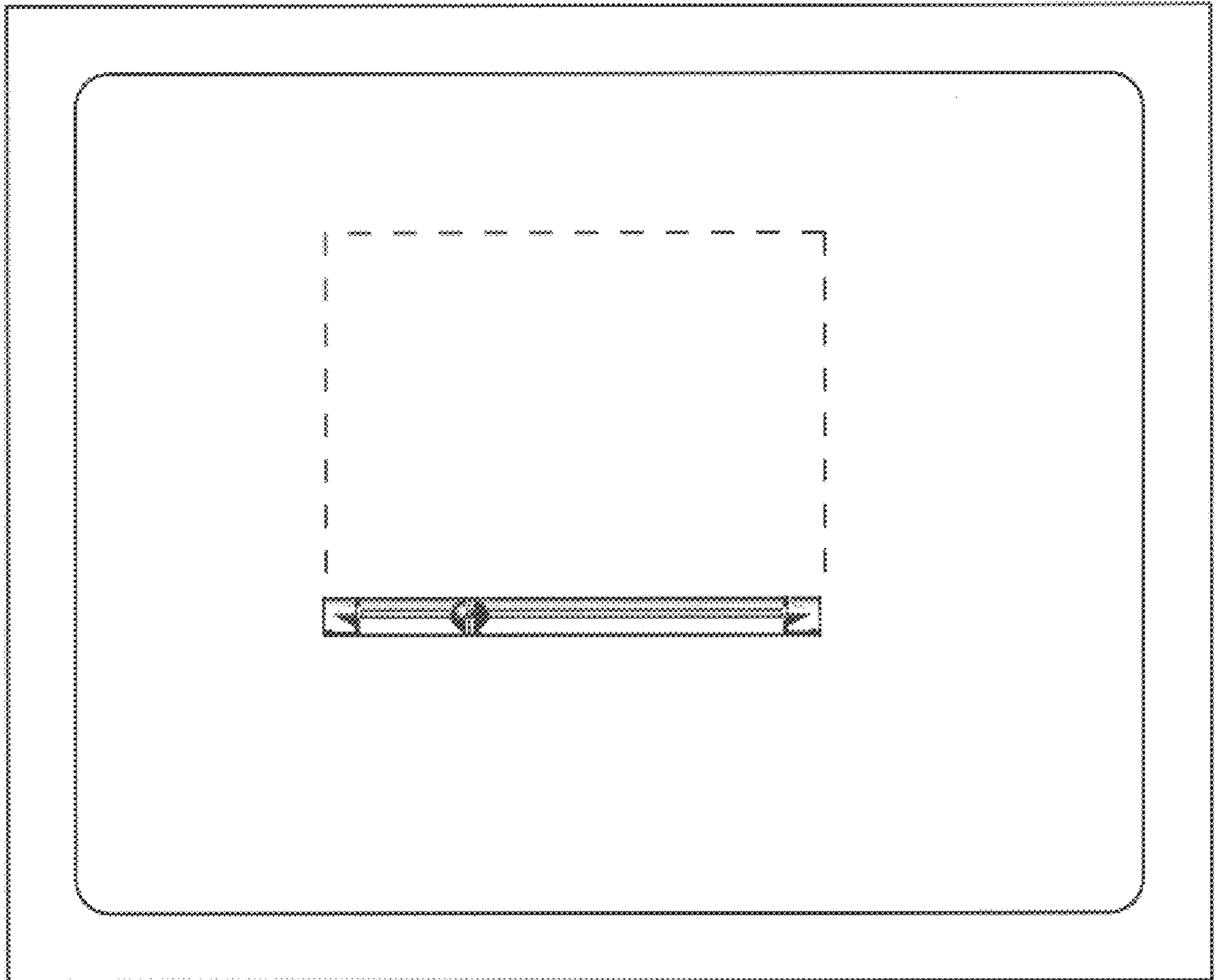


FIG. 6