



US00D424537S

# United States Patent [19]

Arai et al.

[11] Patent Number: Des. 424,537

[45] Date of Patent: \*\* May 9, 2000

[54] COMPUTER

[75] Inventors: **Hidebumi Arai; Hideto Iwamoto**, both of Tokyo, Japan

[73] Assignee: **Mitsubishi Denki Kabushiki Kaisha**, Tokyo, Japan

[\*\*] Term: **14 Years**

[21] Appl. No.: **29/082,190**

[22] Filed: **Jan. 16, 1998**

### [30] Foreign Application Priority Data

Jul. 18, 1997 [JP] Japan ..... 9-62106

[51] LOC (7) Cl. .... **14-02**

[52] U.S. Cl. .... **D14/106**

[58] Field of Search ..... D14/100, 106, D14/115; D18/7; 235/145 A, 145 R; 345/104, 156, 168, 169, 173; 341/22, 23; 361/680-686; 364/708.1; 400/486, 489

### [56] References Cited

#### U.S. PATENT DOCUMENTS

- D. 361,553 8/1995 De Iuliis ..... D14/106
- D. 384,043 9/1997 Tamaki ..... D14/106
- D. 387,037 12/1997 Horiki et al. .... D14/106

#### FOREIGN PATENT DOCUMENTS

08021331 6/1995 Germany .

- 08045652 8/1995 Germany .
- 981459 5/1997 Japan .
- 981459-1 5/1997 Japan .

### OTHER PUBLICATIONS

Sony, Catalogue of Vaio Note 505, 9 pages.

*Primary Examiner*—Freda Nunn  
*Attorney, Agent, or Firm*—Oblon, Spivak, McClelland, Maier & Neustadt, P.C.

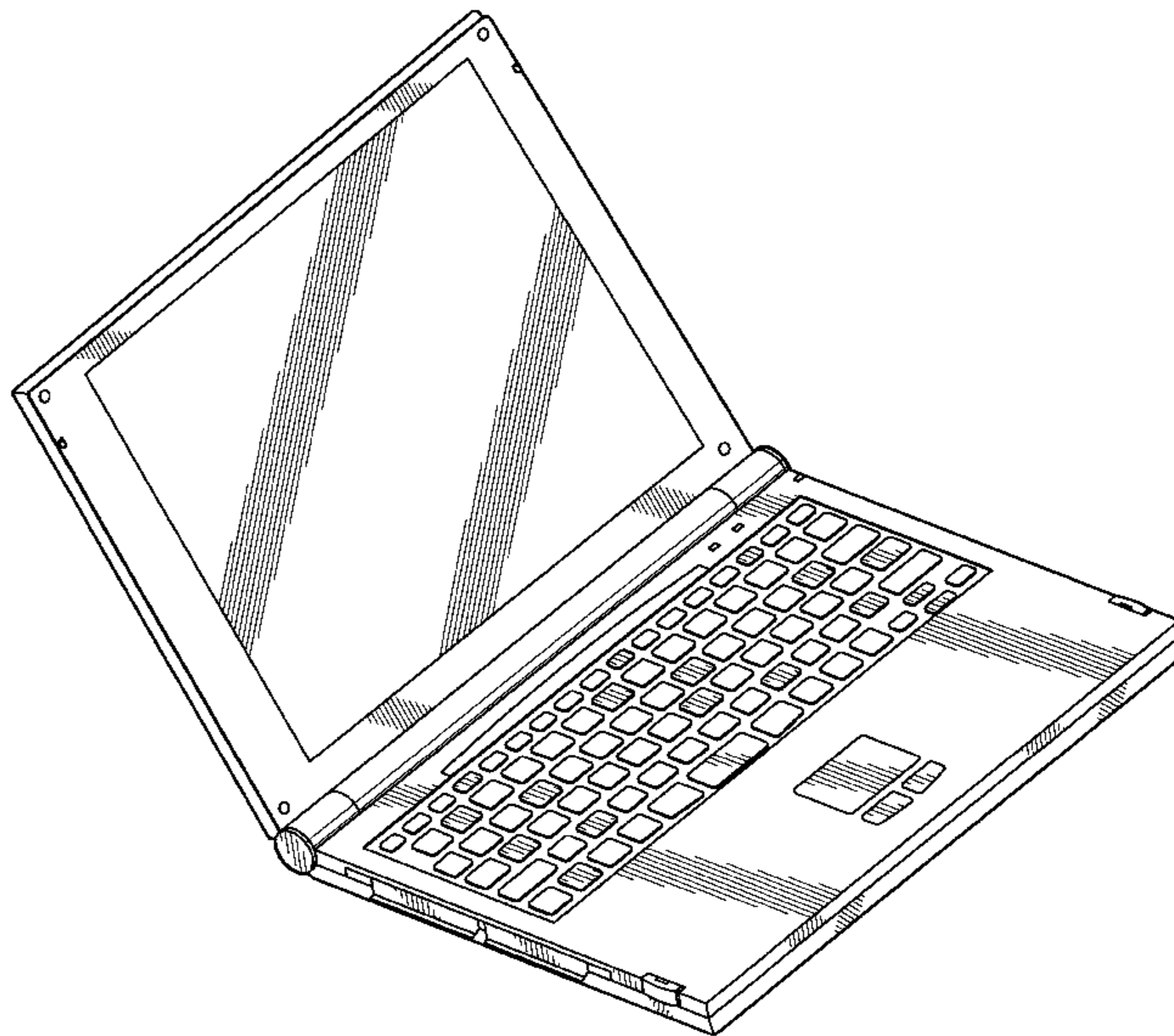
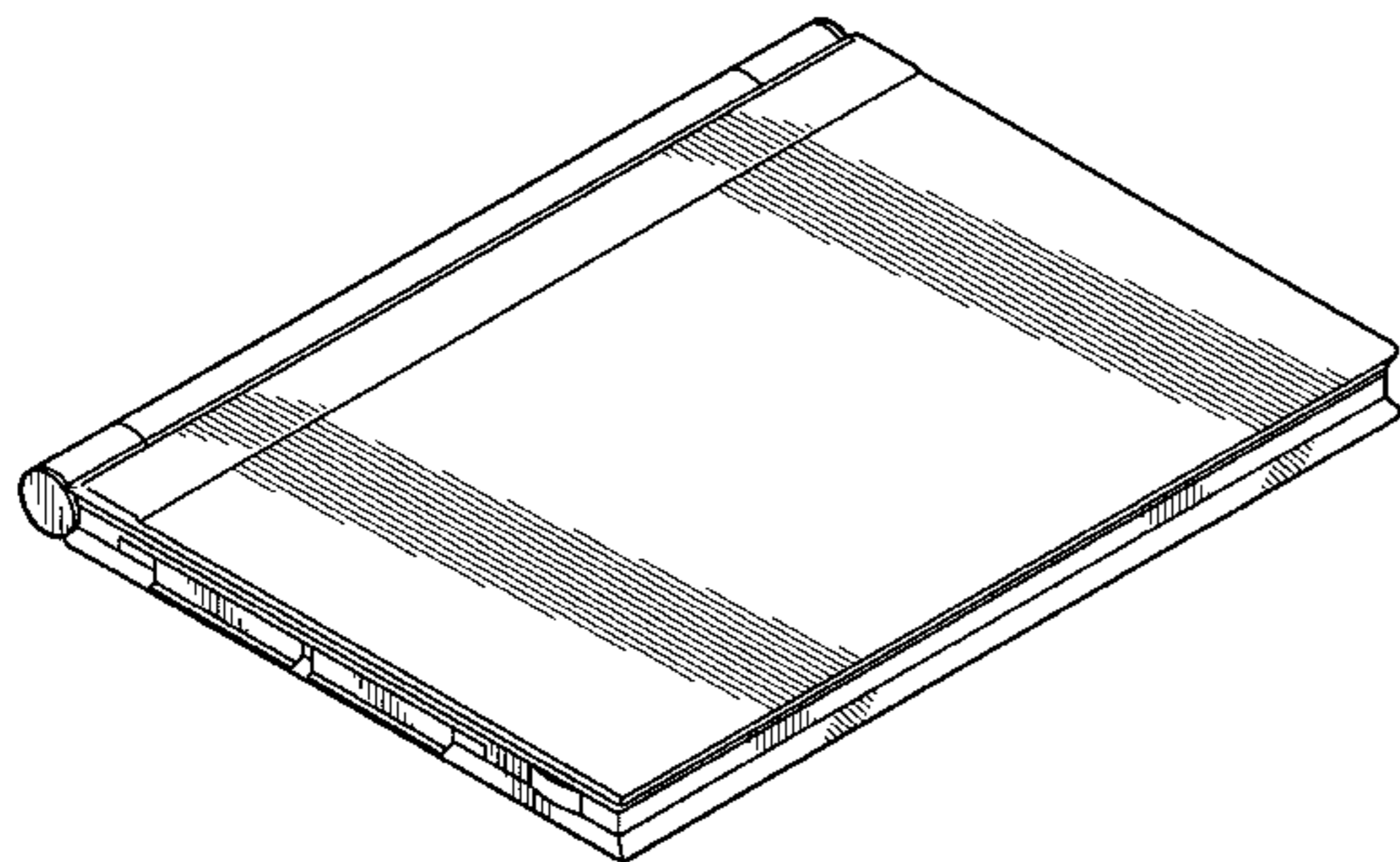
### [57] CLAIM

The ornamental design for a computer, as shown and described.

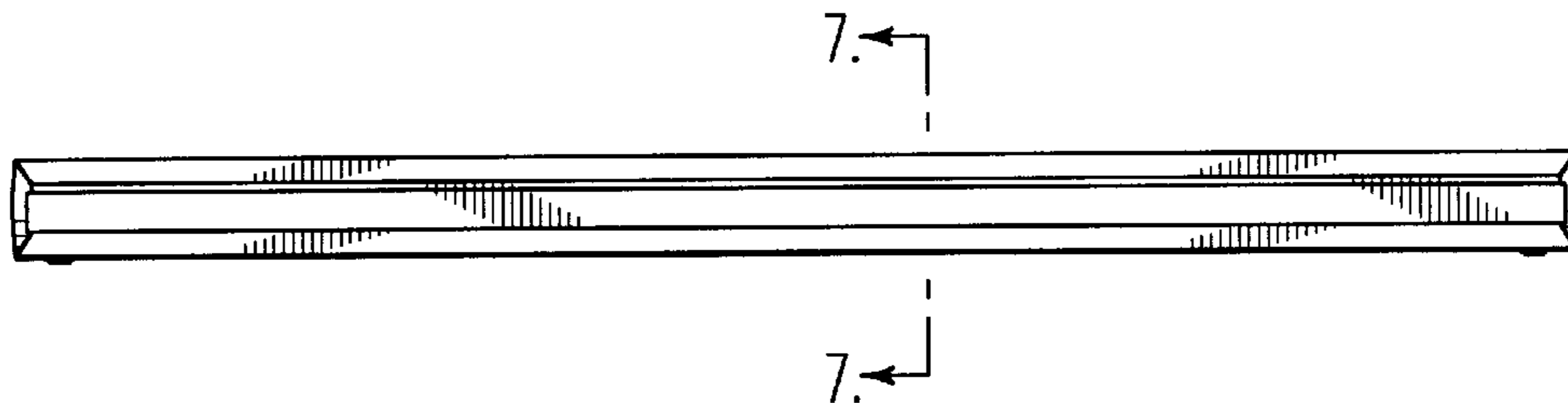
### DESCRIPTION

FIG. 1 is a front elevational view of computer embodying our new design;  
 FIG. 2 is a rear elevational view thereof;  
 FIG. 3 is a left side elevational view thereof;  
 FIG. 4 is a right side elevational view thereof;  
 FIG. 5 is a top plan view thereof;  
 FIG. 6 is a bottom plan view thereof;  
 FIG. 7 is a cross-sectional view thereof taken along lines 7—7 in FIG. 1;  
 FIG. 8 is a top, front and left side perspective view thereof with the lid closed; and,  
 FIG. 9 is a top, front and left side perspective view thereof showing the lid opened.

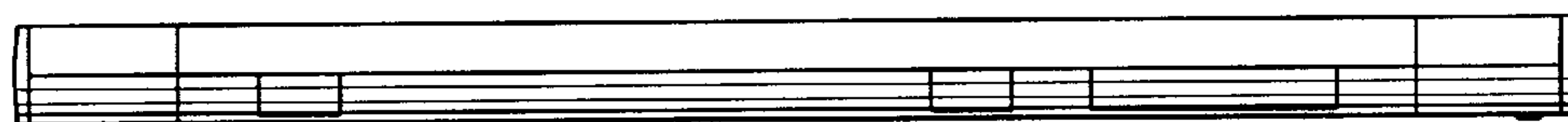
1 Claim, 4 Drawing Sheets



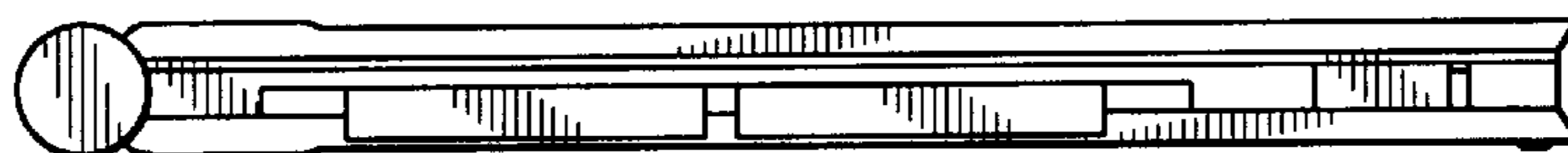
*FIG. 1*



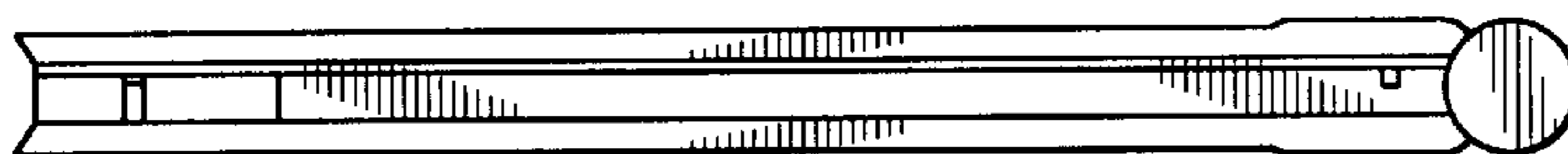
*FIG. 2*

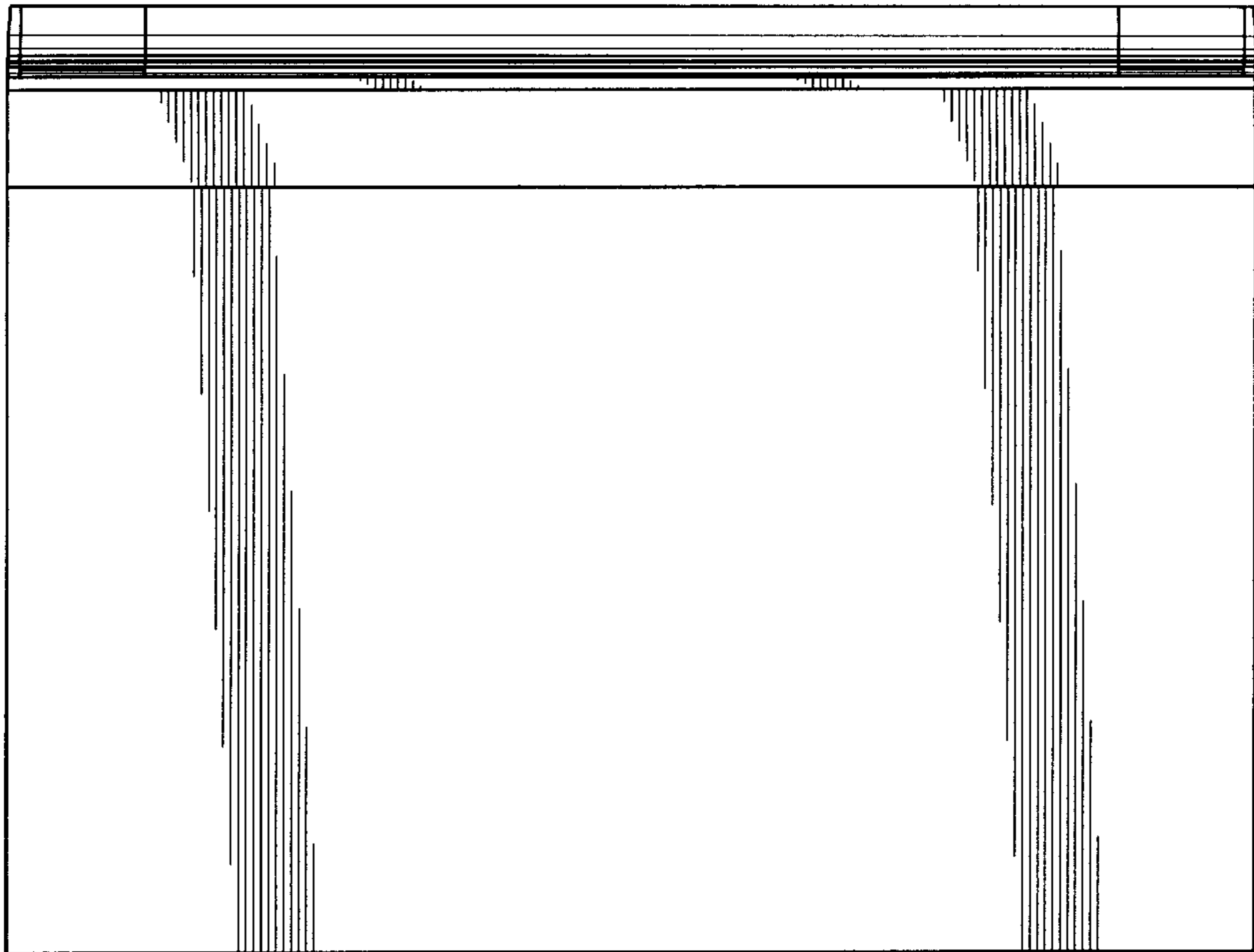


*FIG. 3*

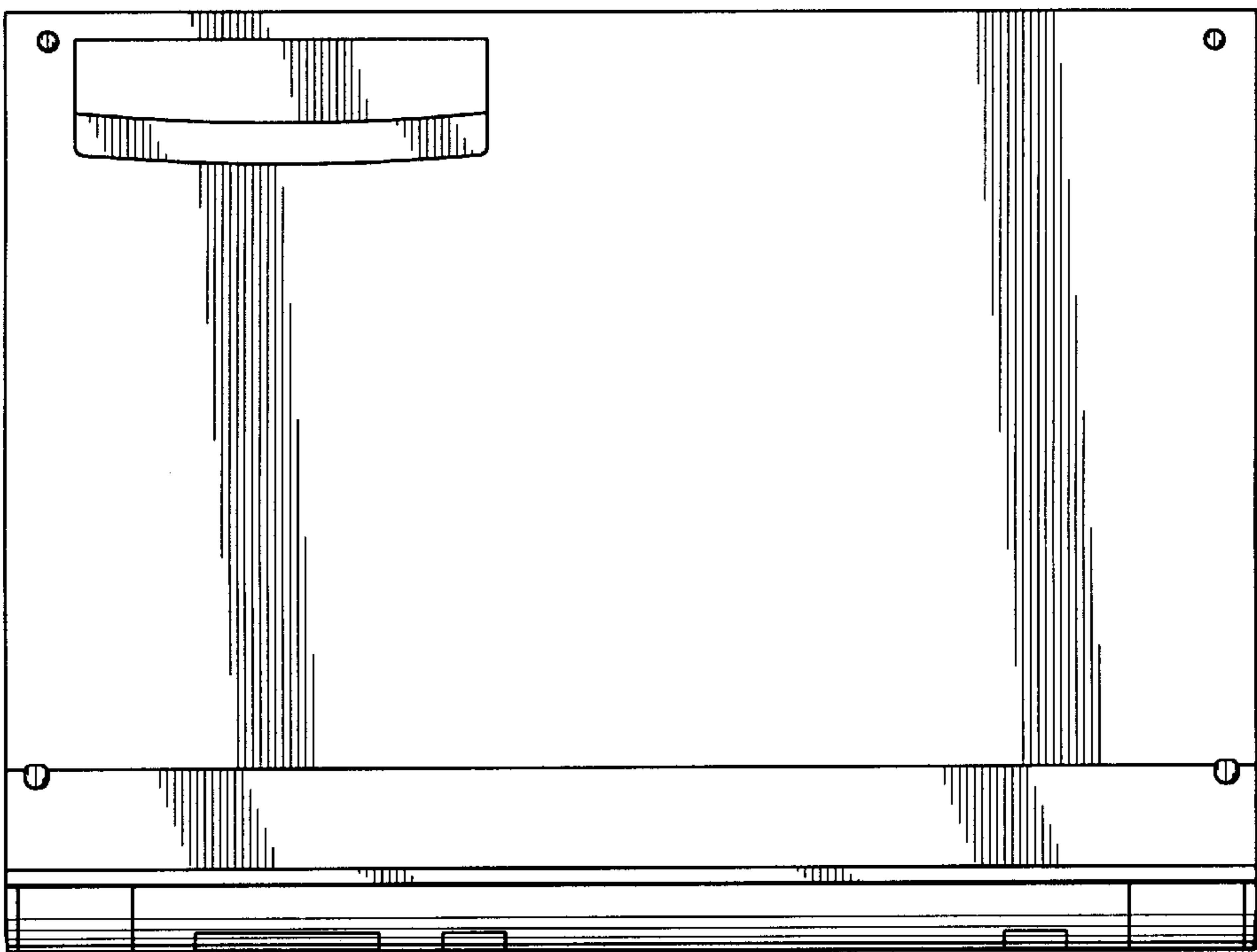


*FIG. 4*

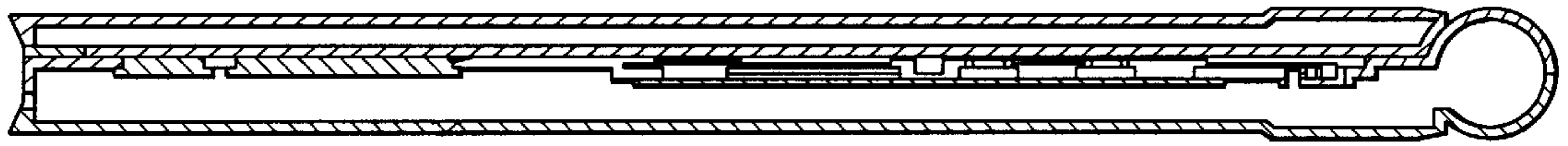




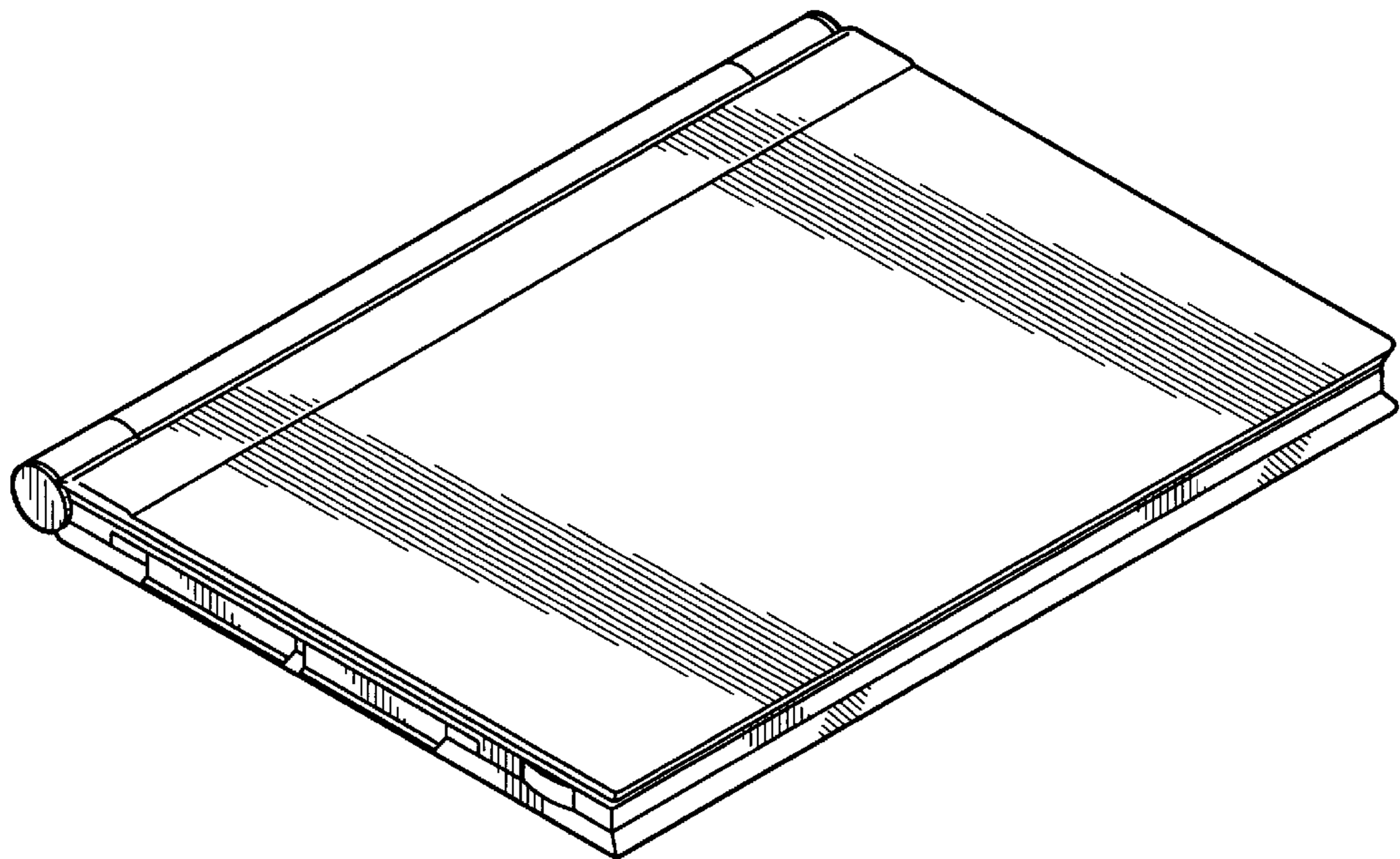
*FIG. 5*



*FIG. 6*



*FIG. 7*



*FIG. 8*

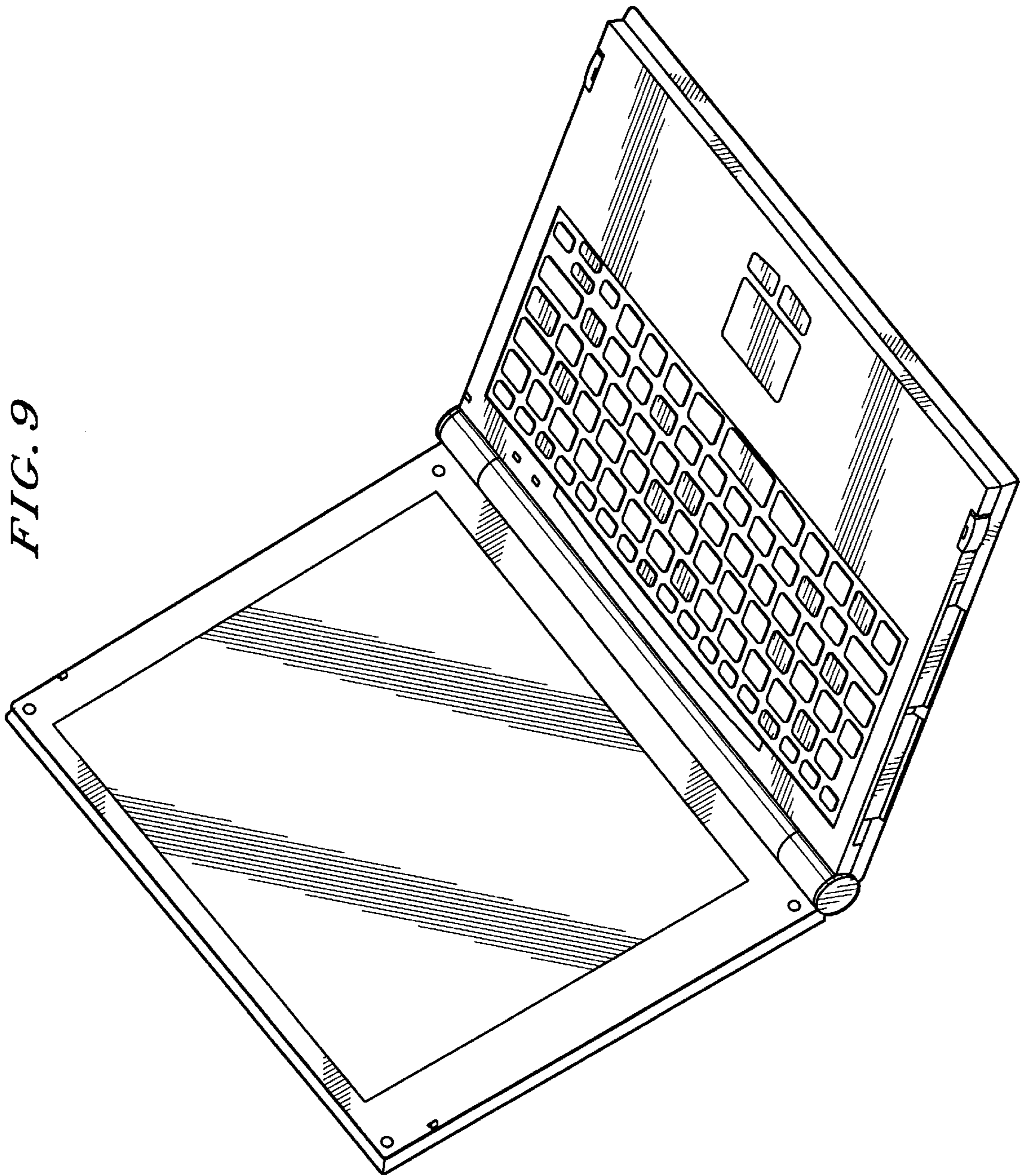


FIG. 9