



US00D424534S

United States Patent [19]

Priestman et al.

[11] Patent Number: Des. 424,534

[45] Date of Patent: ** May 9, 2000

[54] MOBILE TERMINAL WITH VIDEO DISPLAY

[75] Inventors: Paul Priestman; Oliver King; Sean Lewis, all of London, United Kingdom

[73] Assignee: Orange Personal Communications Services Limited, United Kingdom

[**] Term: 14 Years

[21] Appl. No.: 29/096,237

[22] Filed: Nov. 6, 1998

[30] Foreign Application Priority Data

Jun. 5, 1998 [GB] United Kingdom 2074487

[51] LOC (7) Cl. 14-02

[52] U.S. Cl. D14/100

[58] Field of Search D14/100, 106, D14/115, 114; D19/26, 52, 59, 60; 345/104, 156, 173, 168; 364/708.1; 434/307-309; 349/12

[56] References Cited

U.S. PATENT DOCUMENTS

D. 389,465 1/1998 Heiman et al. D14/100
D. 393,838 4/1998 Pandolfi D14/113

D. 398,904 9/1998 Tamaki et al. D14/100

Primary Examiner—Freda Nunn
Attorney, Agent, or Firm—Knobbe, Martens, Olson & Bear, LLP

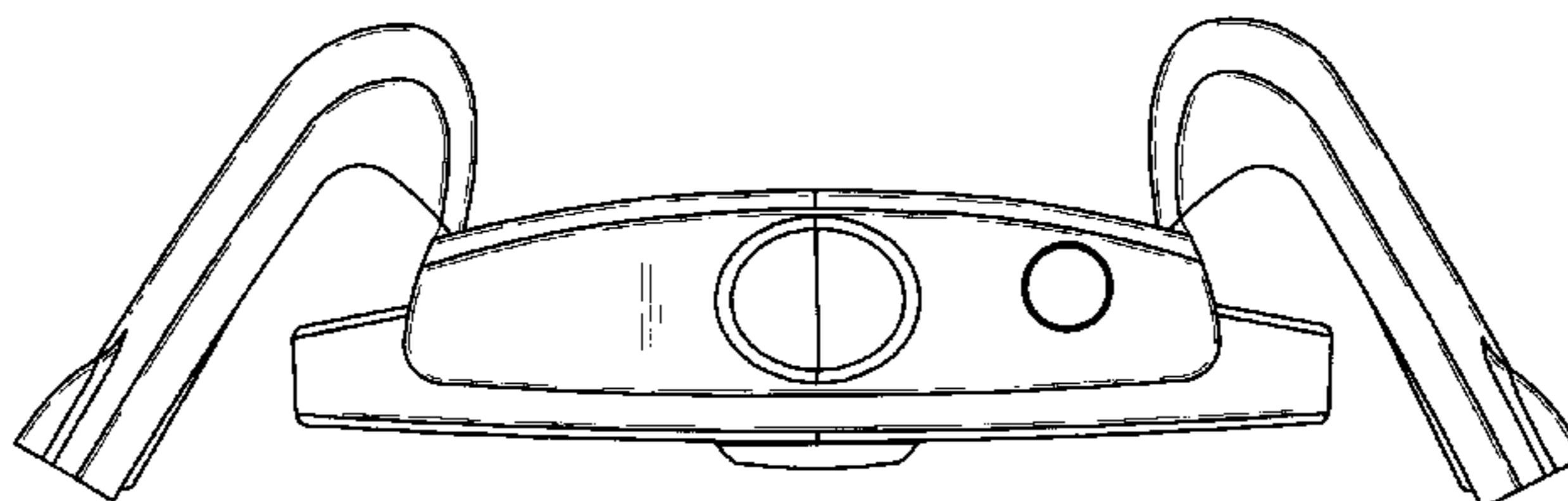
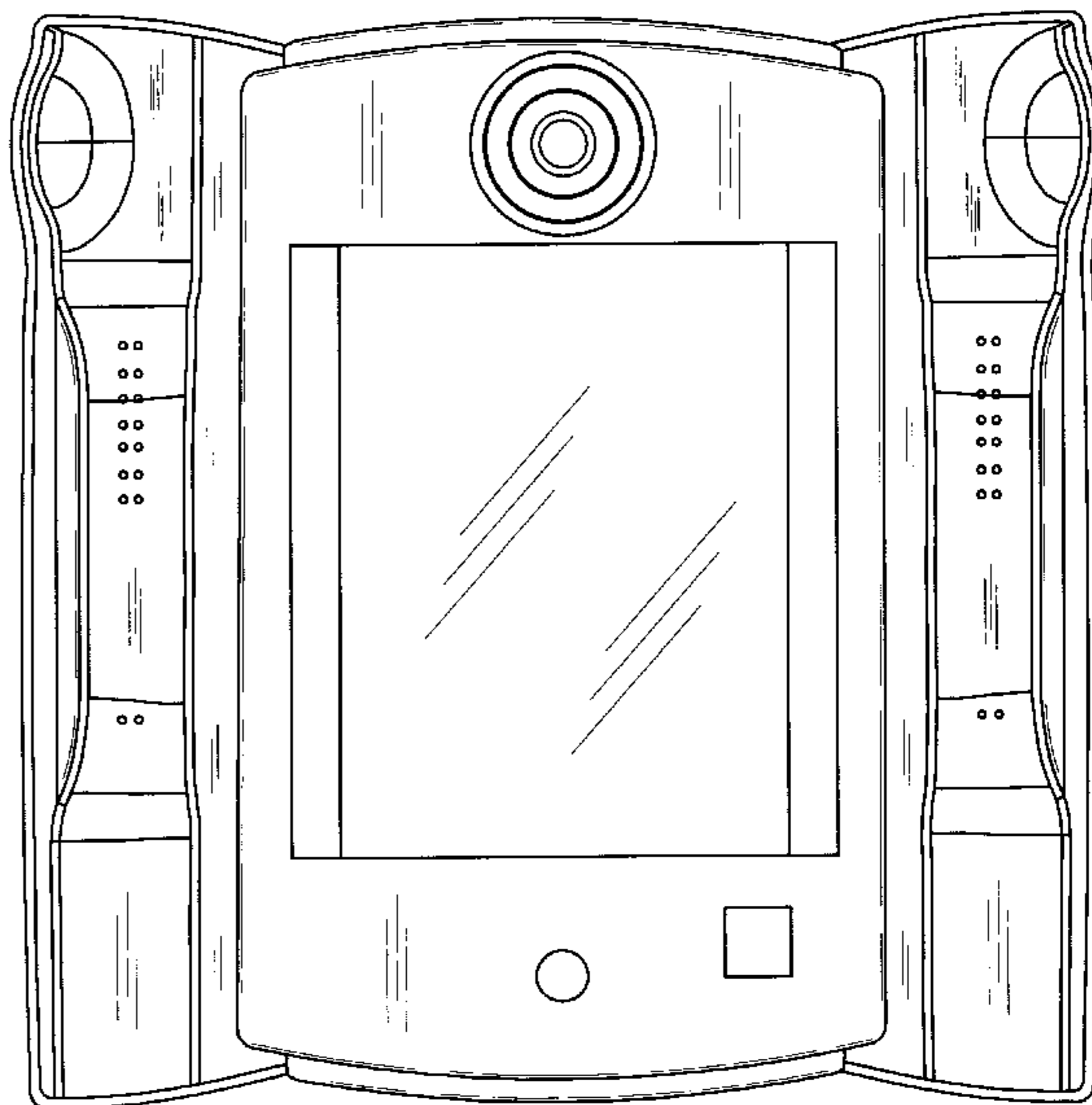
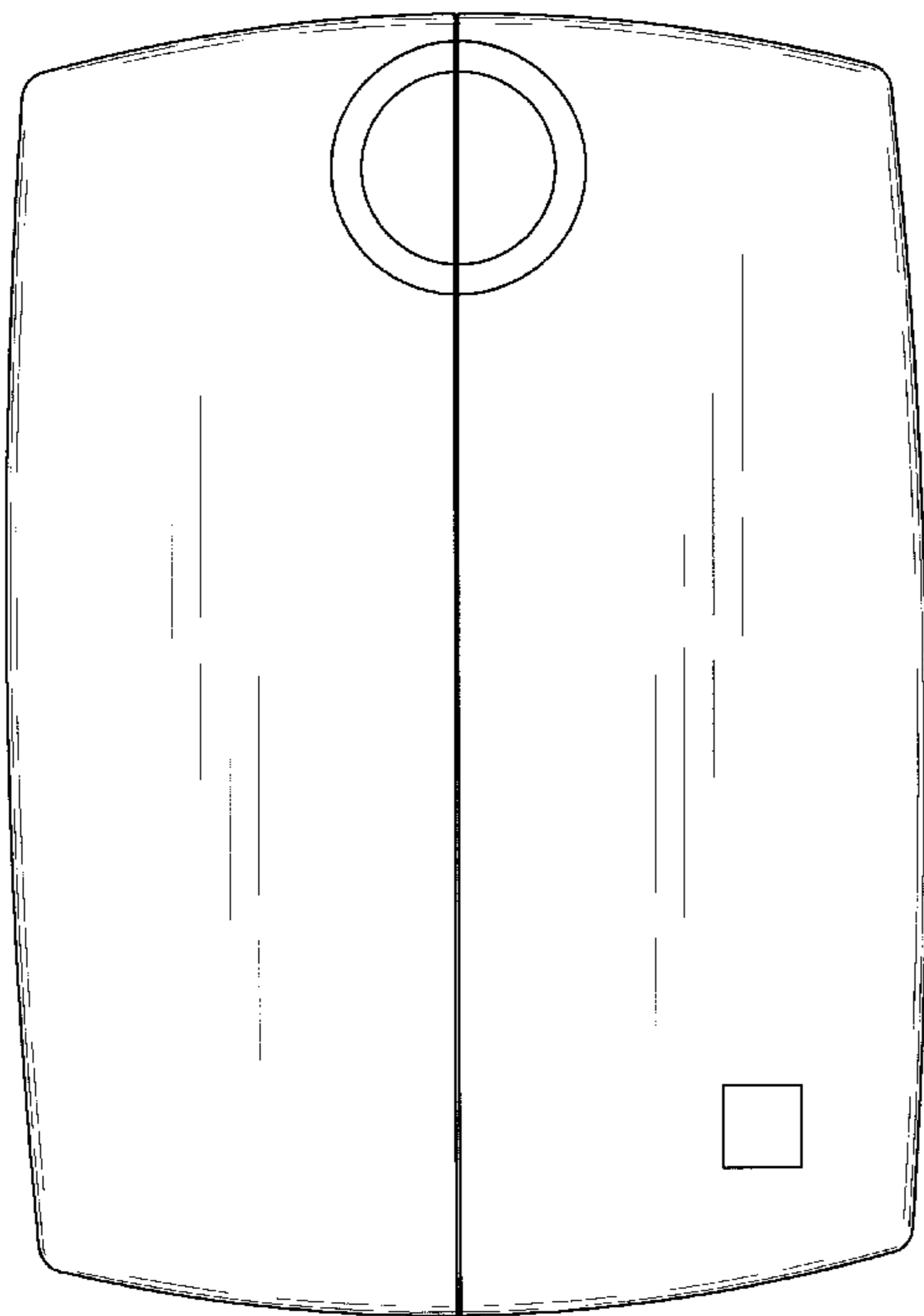
[57] CLAIM

The ornamental design for a mobile terminal with video display, as shown and described.

DESCRIPTION

FIG. 1 is a front view of a mobile terminal with video display showing our new design with the cover closed; FIG. 2 is a top view of our new design with the cover closed; FIG. 3 is a bottom view of our new design with the cover closed; FIG. 4 the undisclosed side view is a mirror image of the side view shown in FIG. 4; FIG. 5 is a rear view of our new design with the cover closed; FIG. 6 is a front view of our new design with the cover open; FIG. 7 is a top view of our new design with the cover open; FIG. 8 is a bottom view of our new design with the cover open; and, FIG. 9 is a rear view of our new design with the cover open.

1 Claim, 7 Drawing Sheets



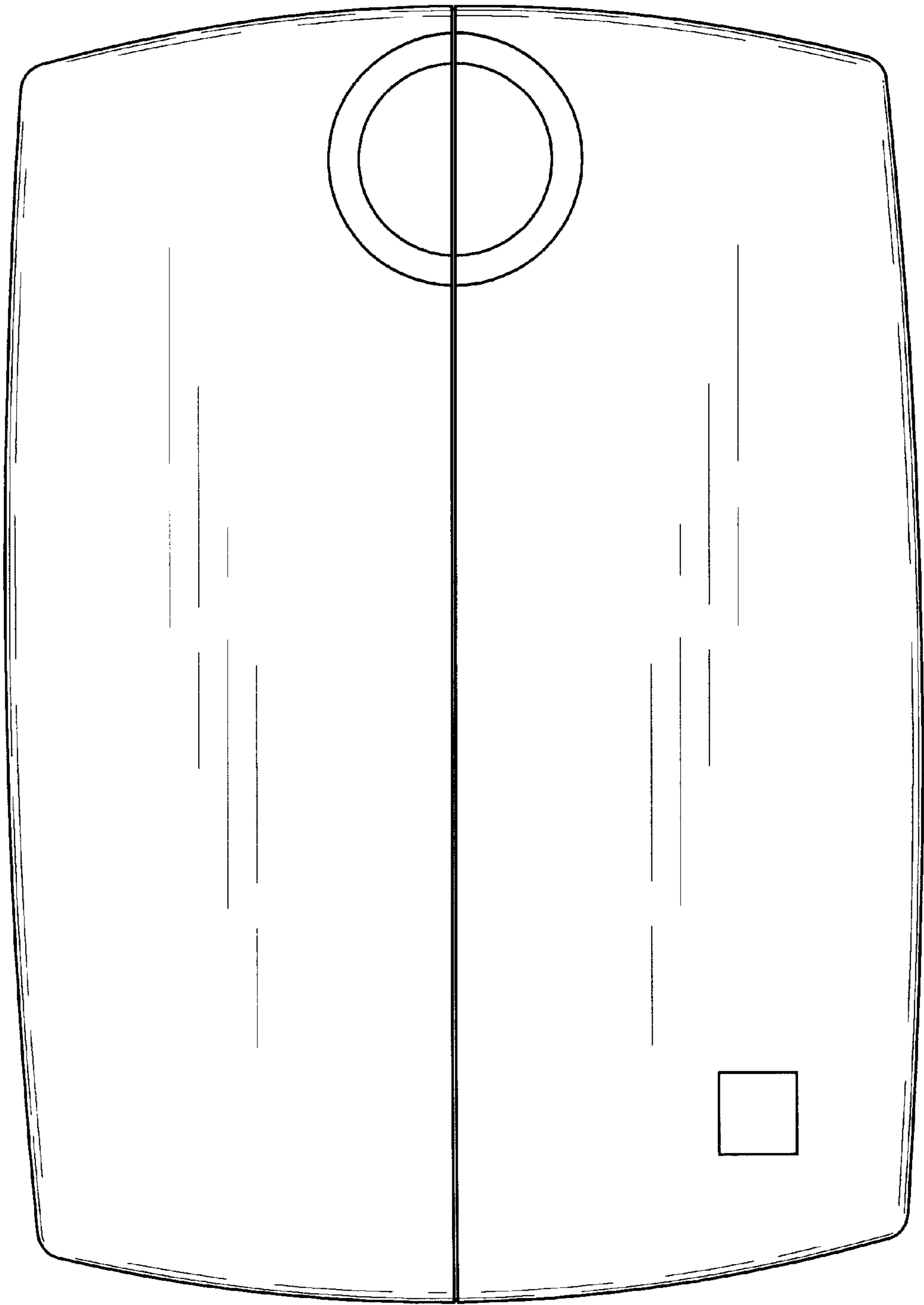


Fig. 1

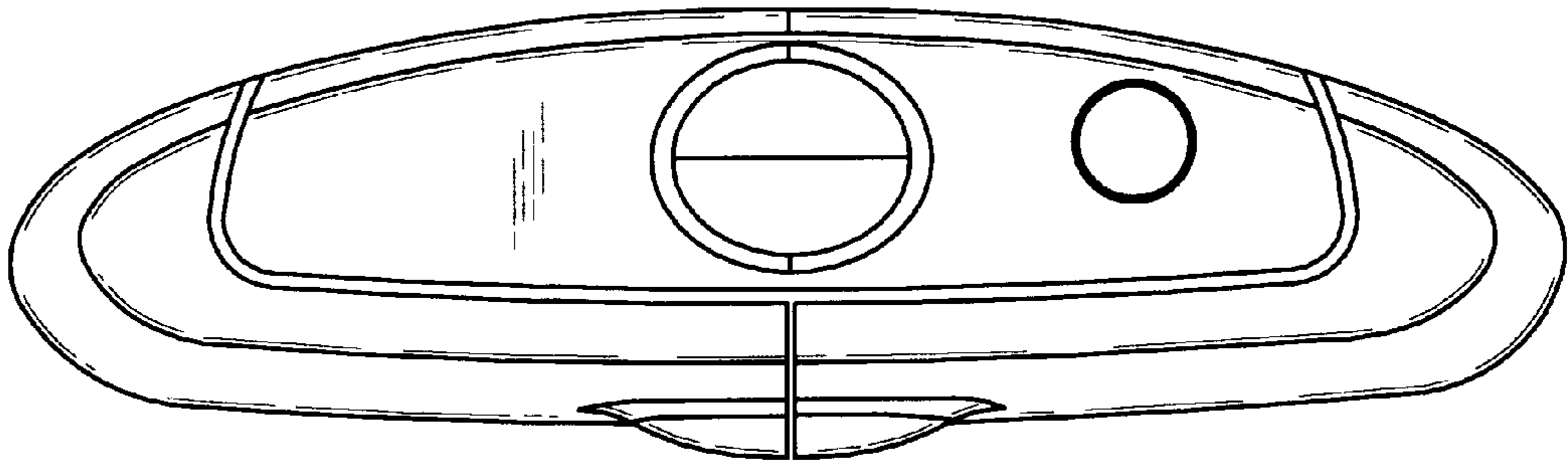


FIG. 2

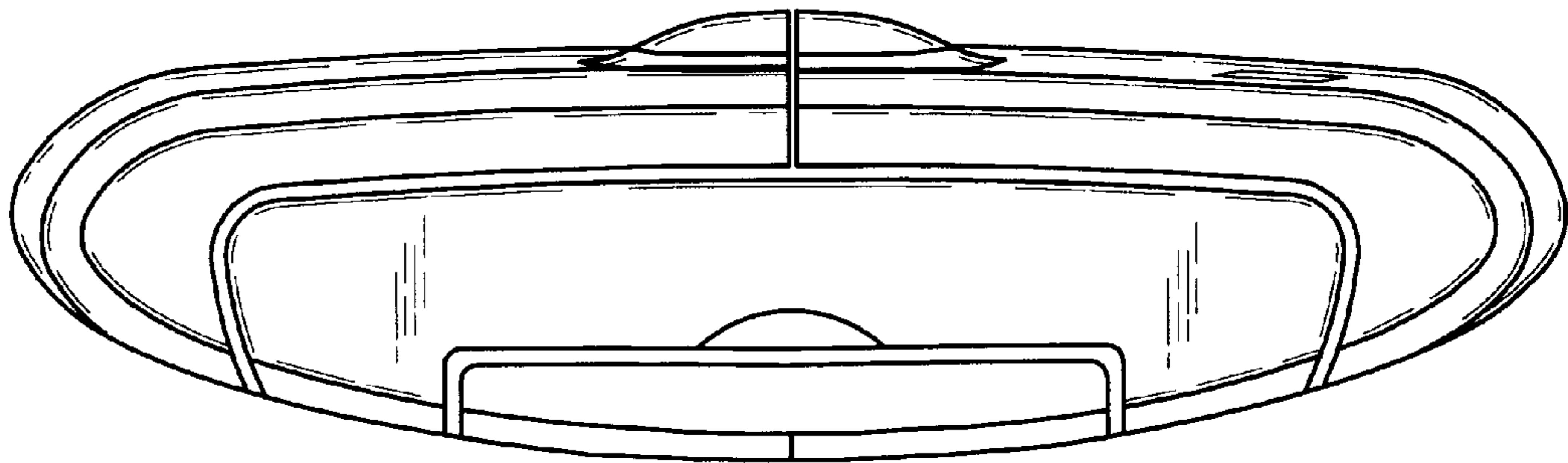


FIG. 3



FIG. 4

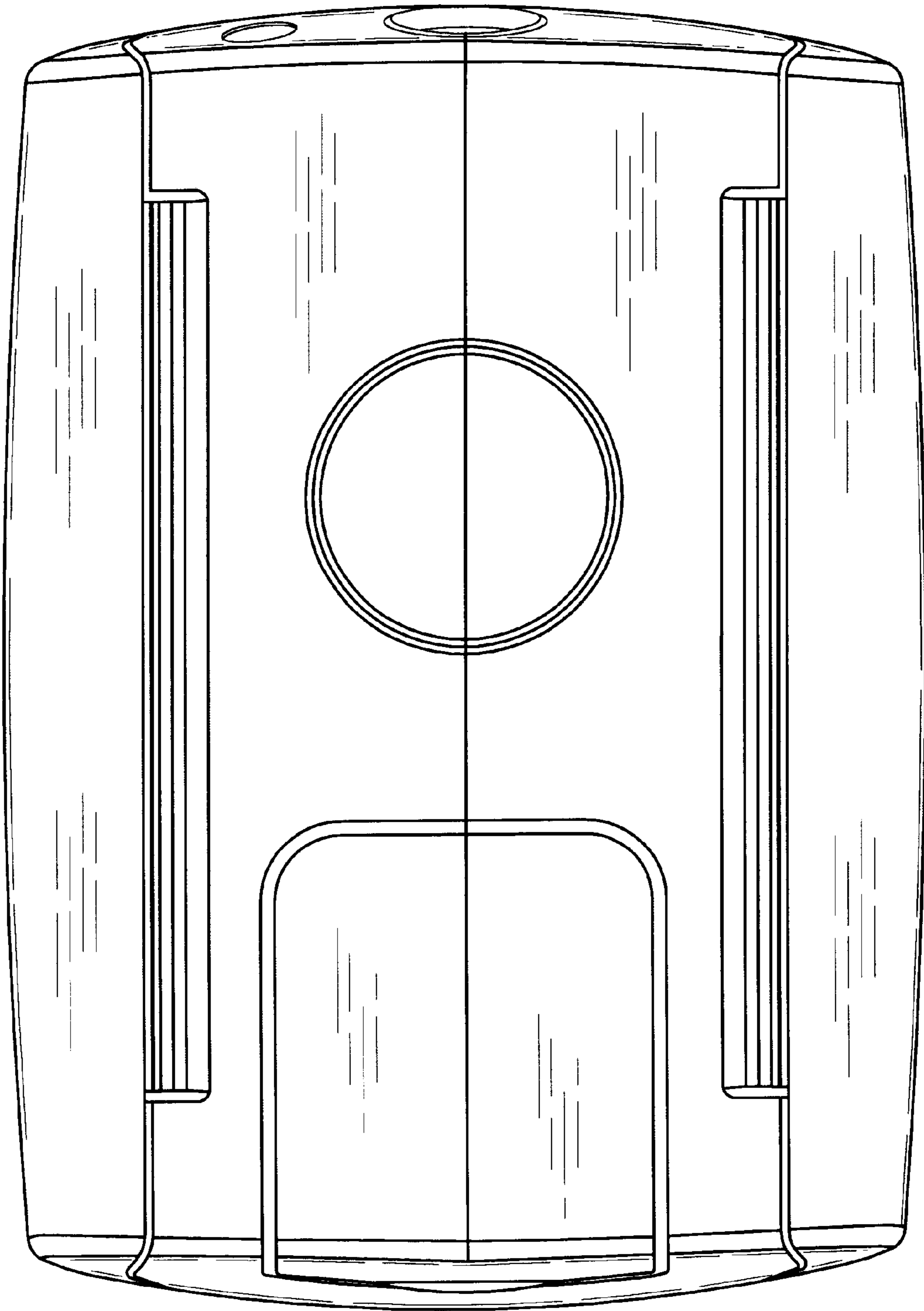


FIG. 5

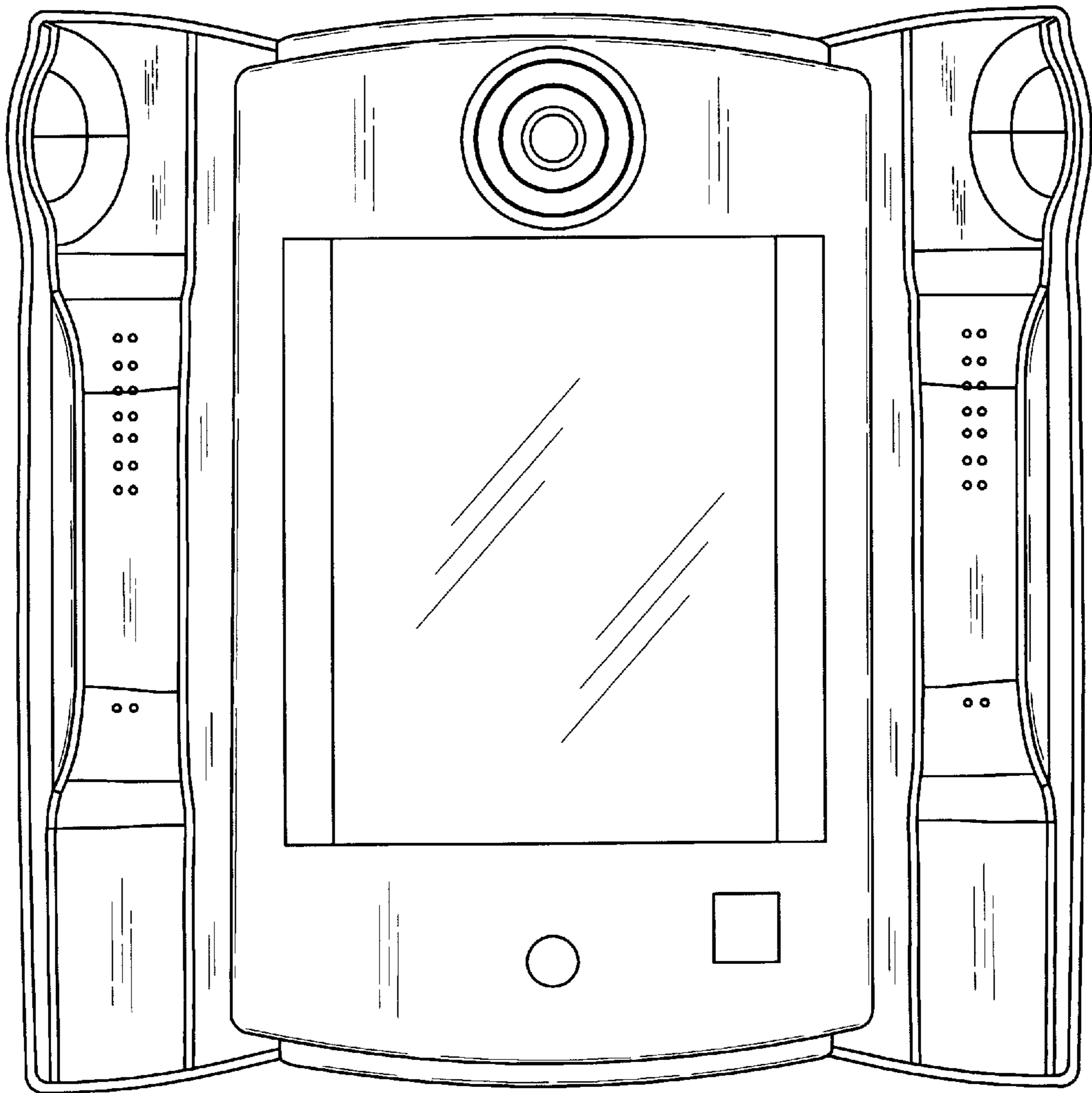


FIG. 6

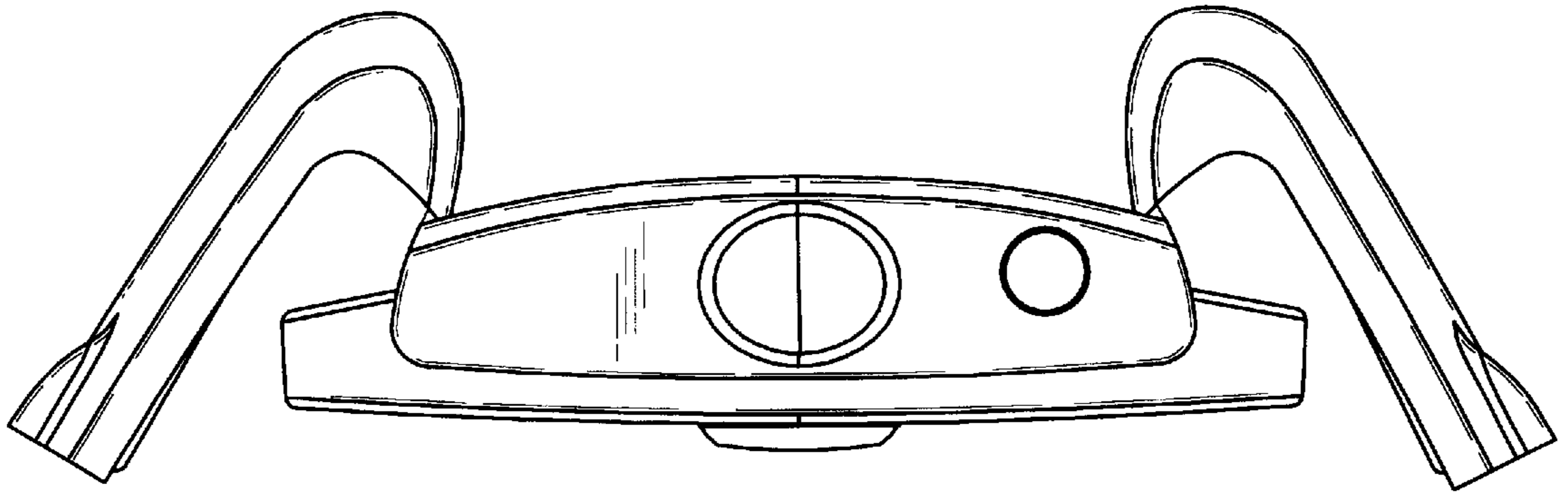


FIG. 7

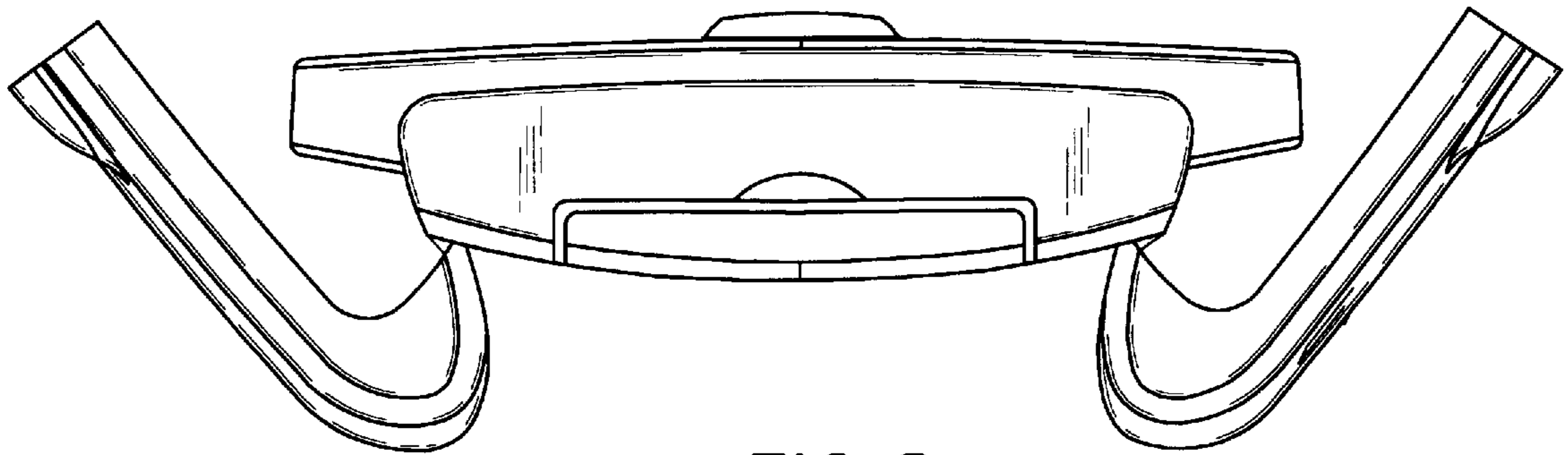


FIG. 8

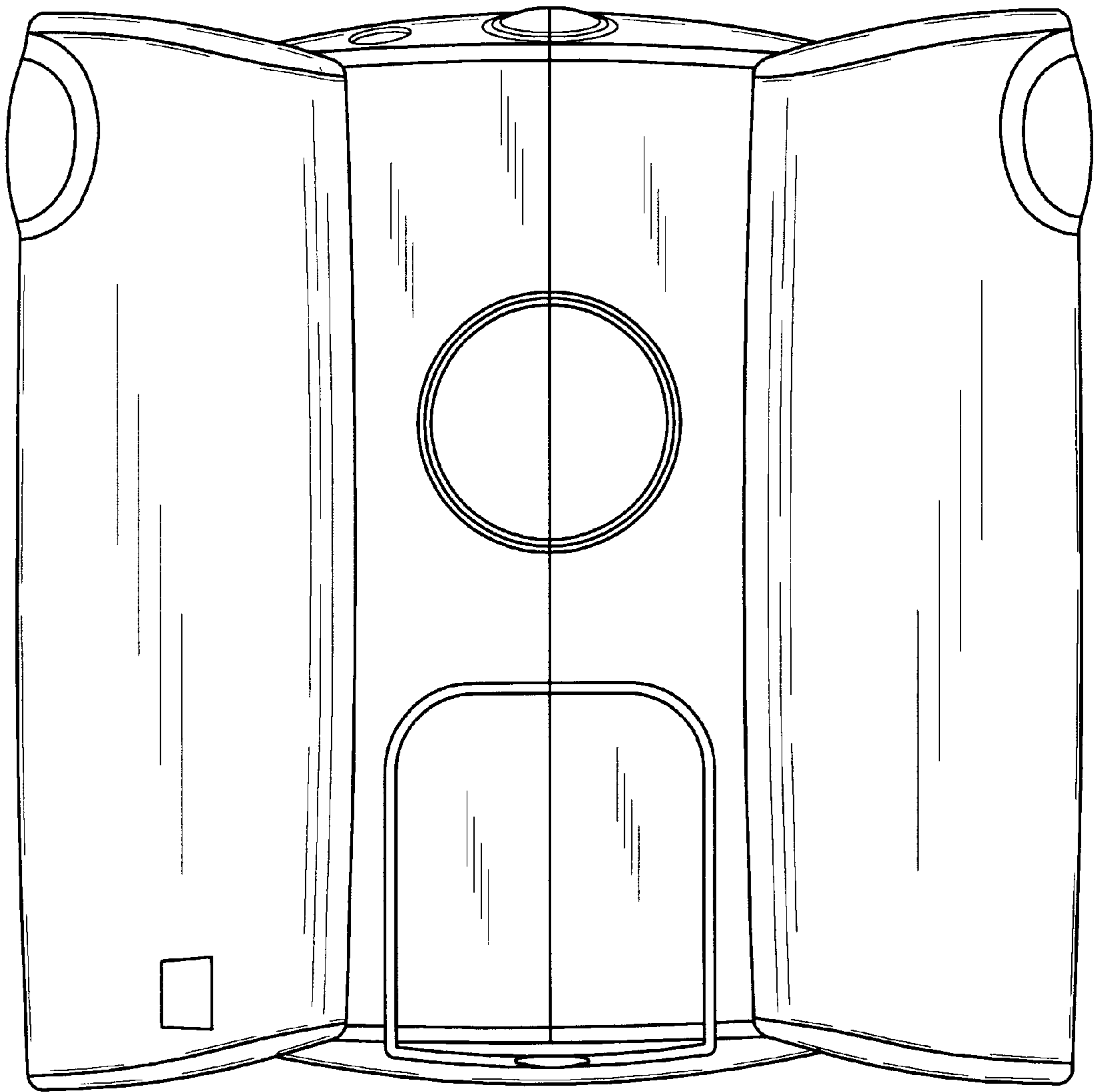


FIG. 9