



US00D424533S

United States Patent [19] Kandalepas

[11] **Patent Number: Des. 424,533**

[45] **Date of Patent: ** May 9, 2000**

[54] **HAND HELD COMPUTER**

[75] Inventor: **Andrew J. Kandalepas**, Palatine, Ill.

[73] Assignee: **Dauphin Technology, Inc.**, Palatine, Fla.

[**] Term: **14 Years**

[21] Appl. No.: **29/096,207**

[22] Filed: **Nov. 6, 1998**

[51] **LOC (7) Cl.** **14-02**

[52] **U.S. Cl.** **D14/100**

[58] **Field of Search** D14/100, 106,
D14/115; D18/1, 2, 7; 178/18.03, 18.08;
235/145 A, 145 R; 345/156, 168; 361/680-686;
364/708.1; 349/12

[56] **References Cited**

U.S. PATENT DOCUMENTS

D. 354,478	1/1995	Miyahara	D14/100
D. 376,351	12/1996	Matsumoto	D14/100
D. 389,465	1/1998	Heiman et al.	D14/100
D. 397,679	9/1998	Hawkins et al.	D14/100
D. 398,904	9/1998	Tamaki et al.	D14/100

Primary Examiner—Freda Nunn
Attorney, Agent, or Firm—Leydig, Voit & Mayer, Ltd.

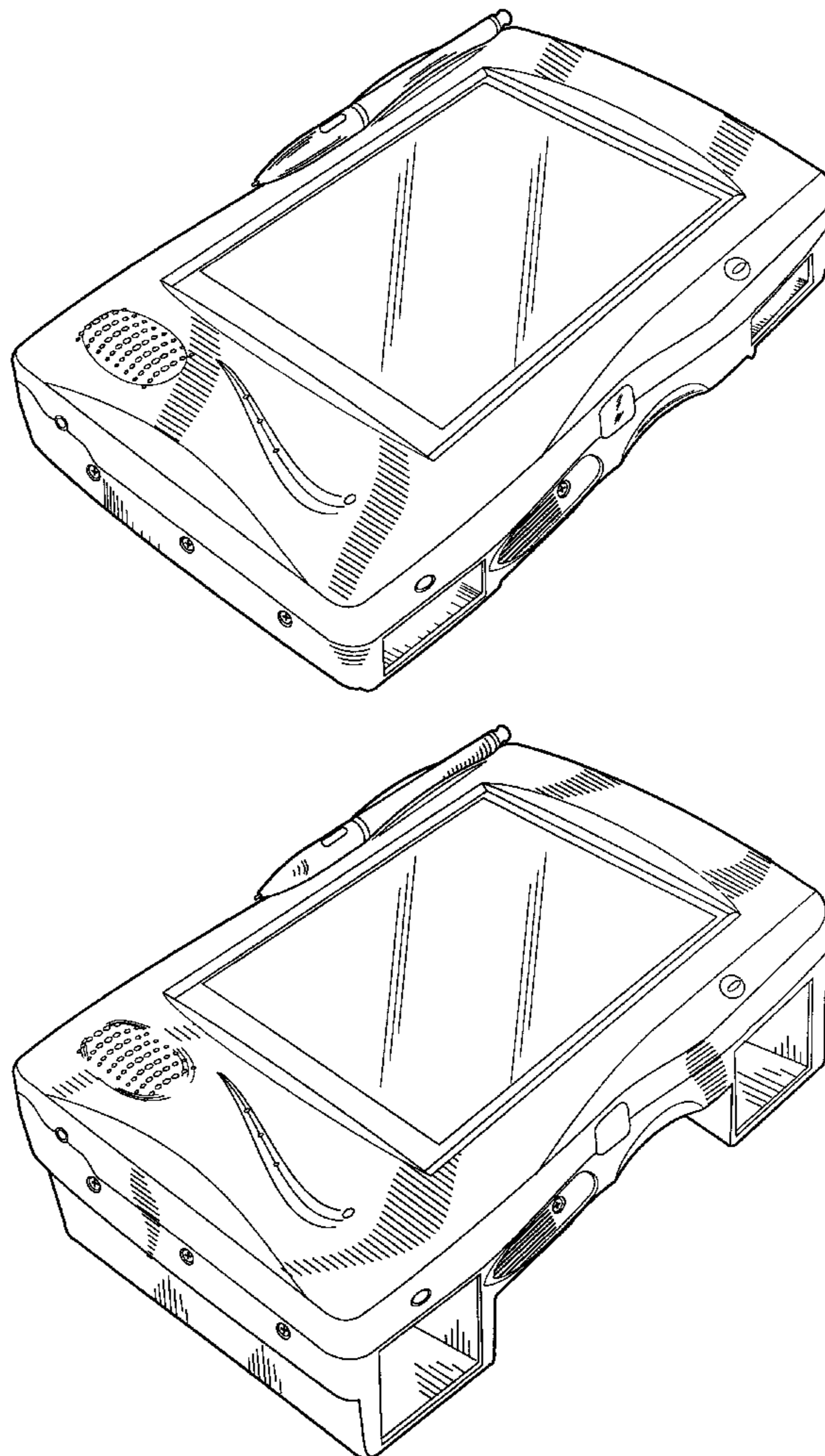
[57] **CLAIM**

The ornamental design for a hand held computer, as shown and described.

DESCRIPTION

FIG. 1 is a perspective view of a hand held computer showing my new design;
FIG. 2 is a top plan view thereof;
FIG. 3 is a bottom plan view thereof;
FIG. 4 is an end view thereof;
FIG. 5 is an opposite end view thereof;
FIG. 6 is a side view thereof;
FIG. 7 is an opposite side view thereof;
FIG. 8 is a perspective view of an alternate embodiment of a hand held computer showing my new design;
FIG. 9 is a bottom plan view thereof;
FIG. 10 is an end view thereof;
FIG. 11 is an opposite end view thereof;
FIG. 12 is a side view thereof; and,
FIG. 13 is an opposite side view thereof.

1 Claim, 7 Drawing Sheets



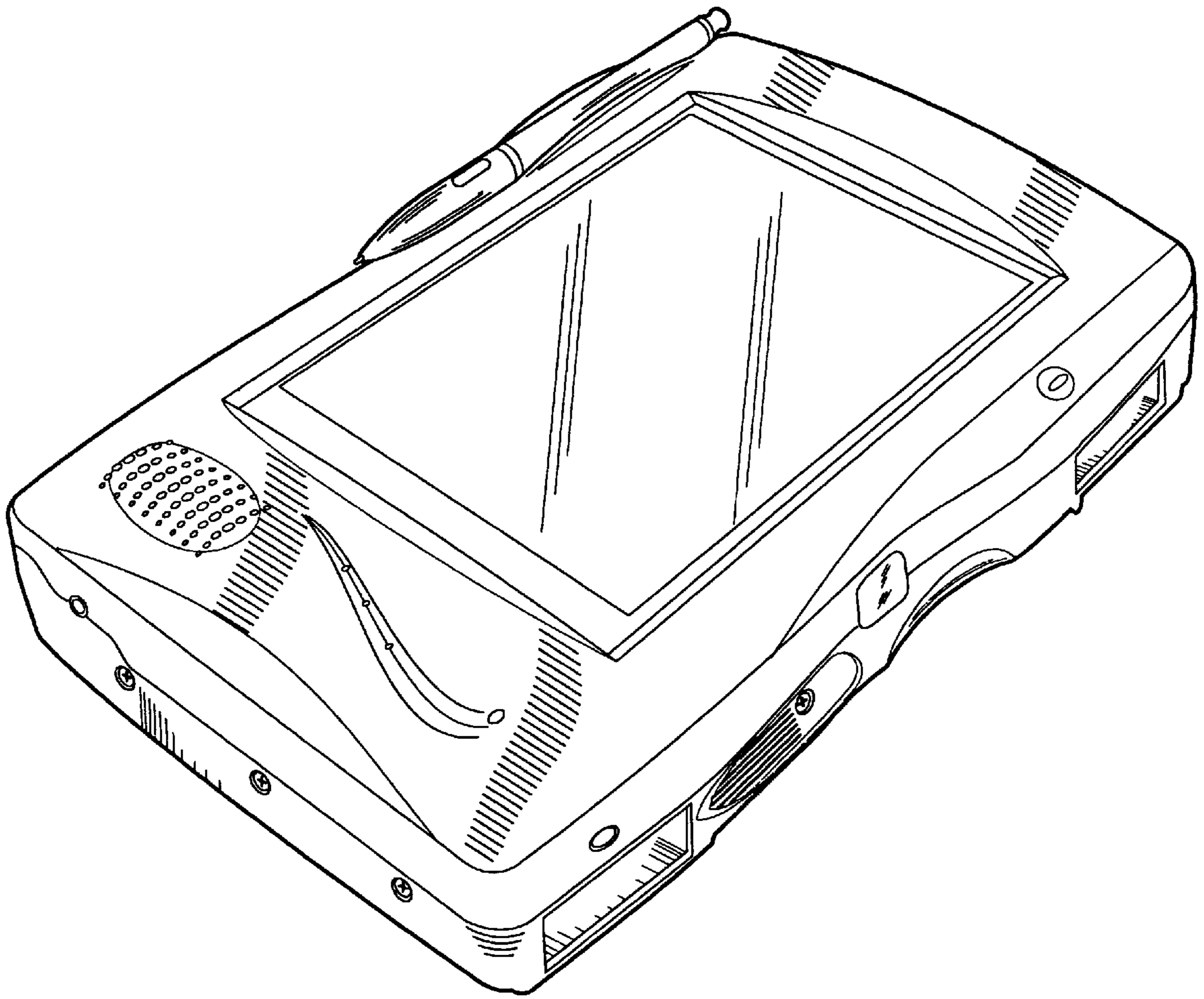


FIG. 1

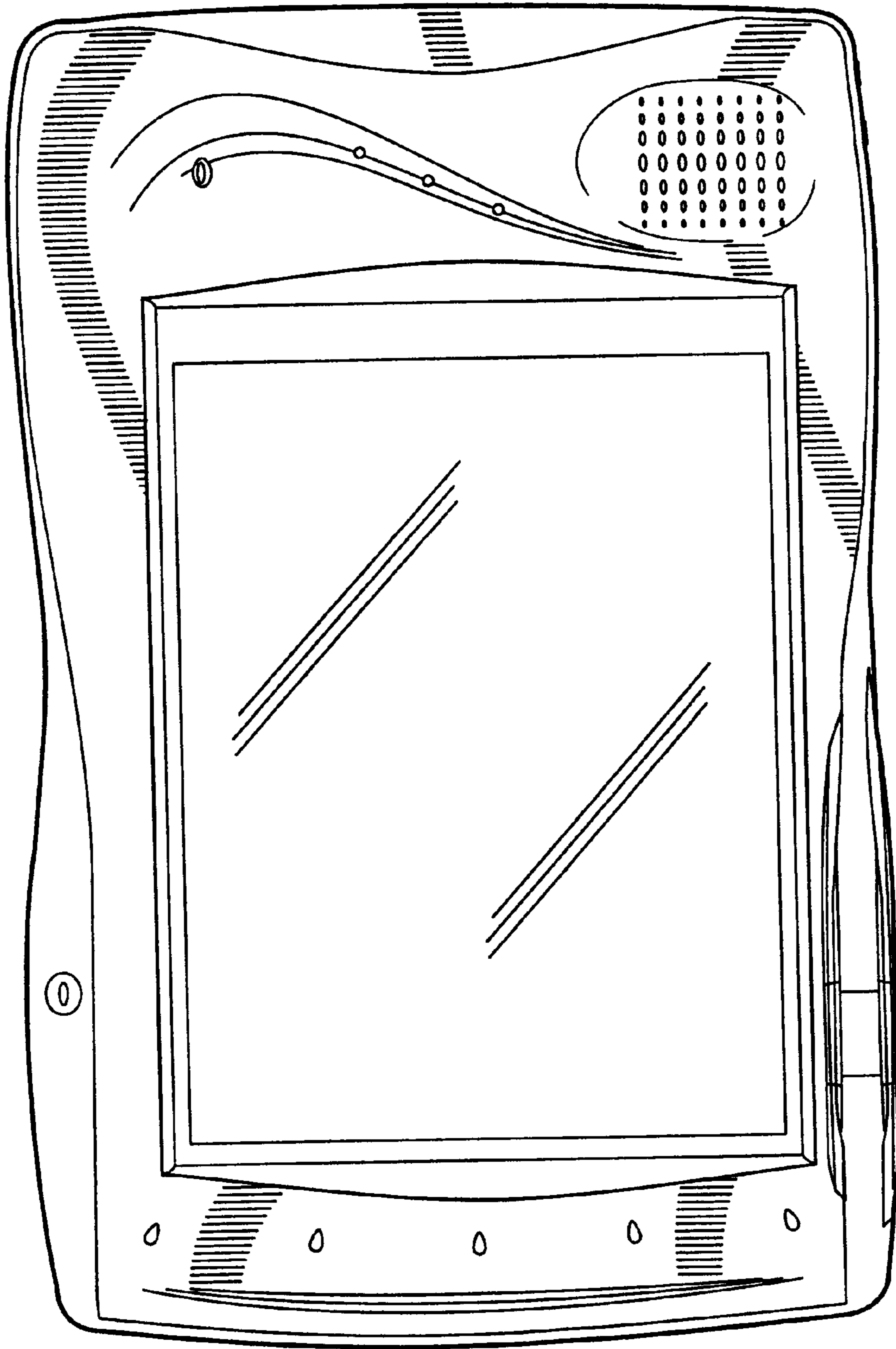


FIG. 2

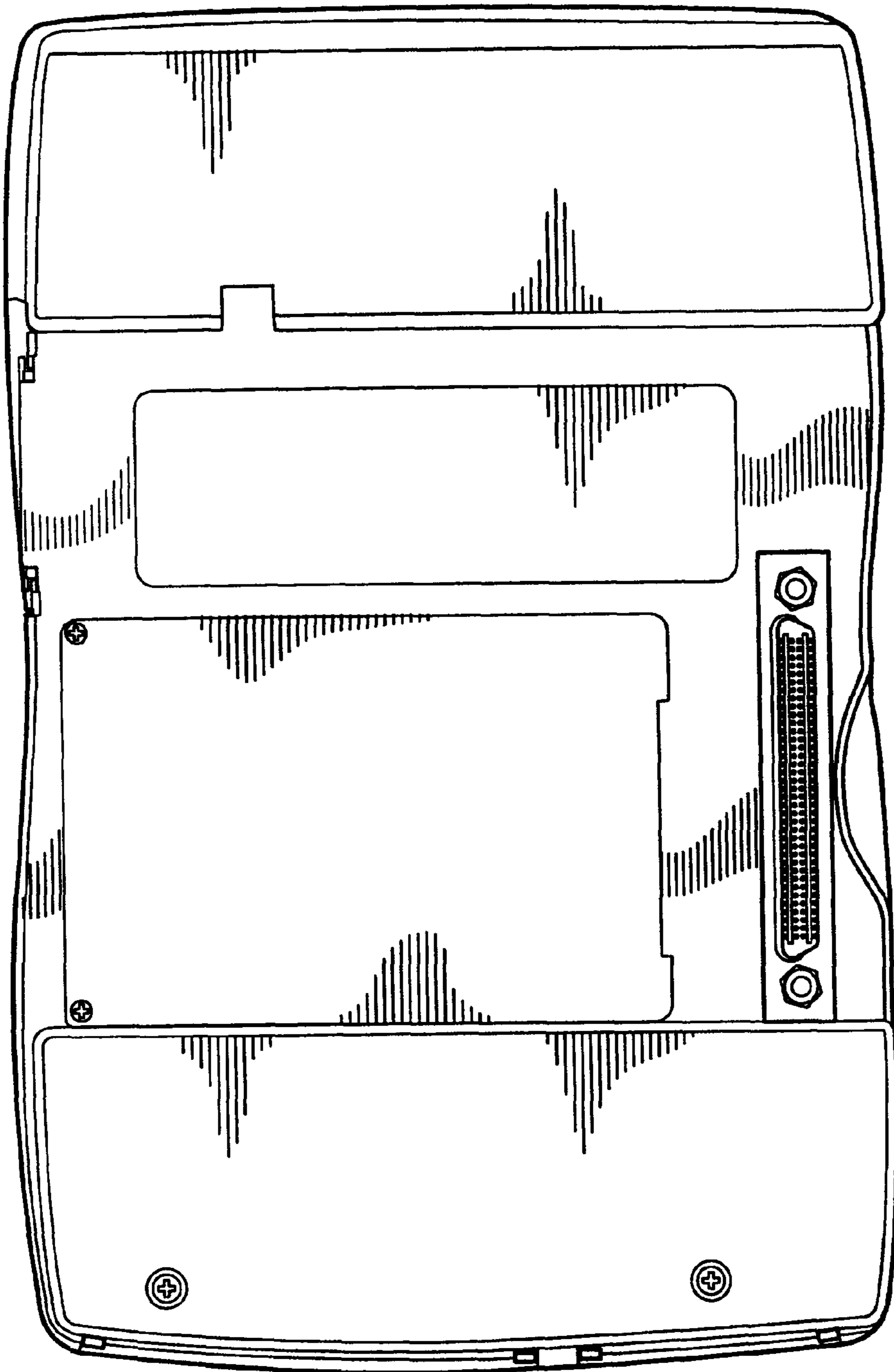


FIG. 3

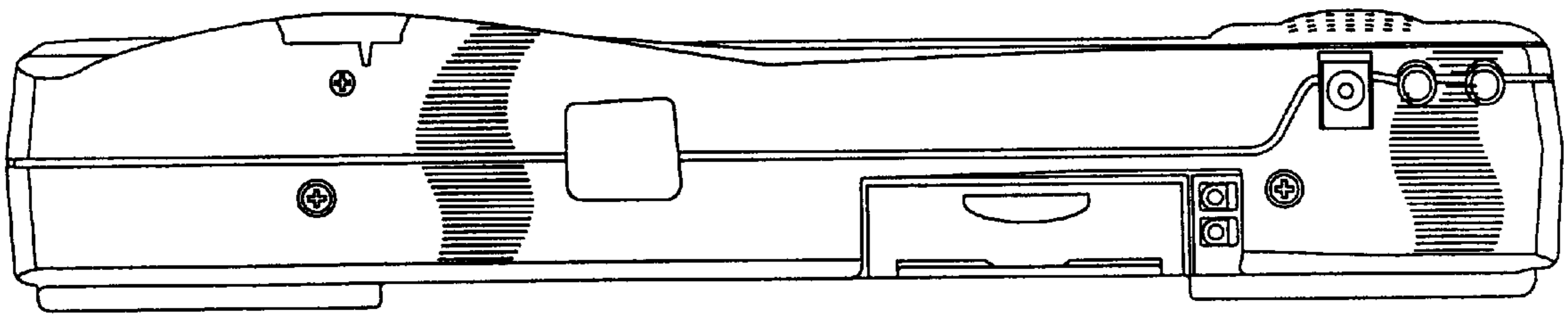


FIG. 4

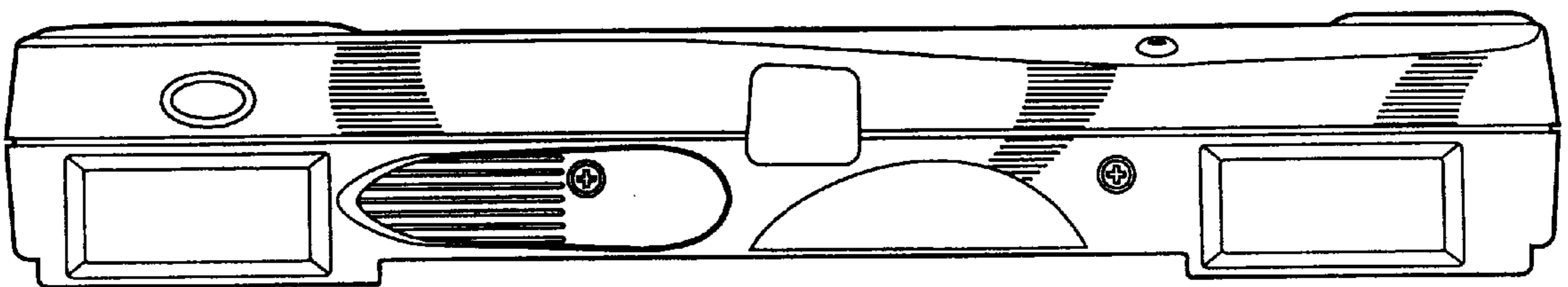


FIG. 5

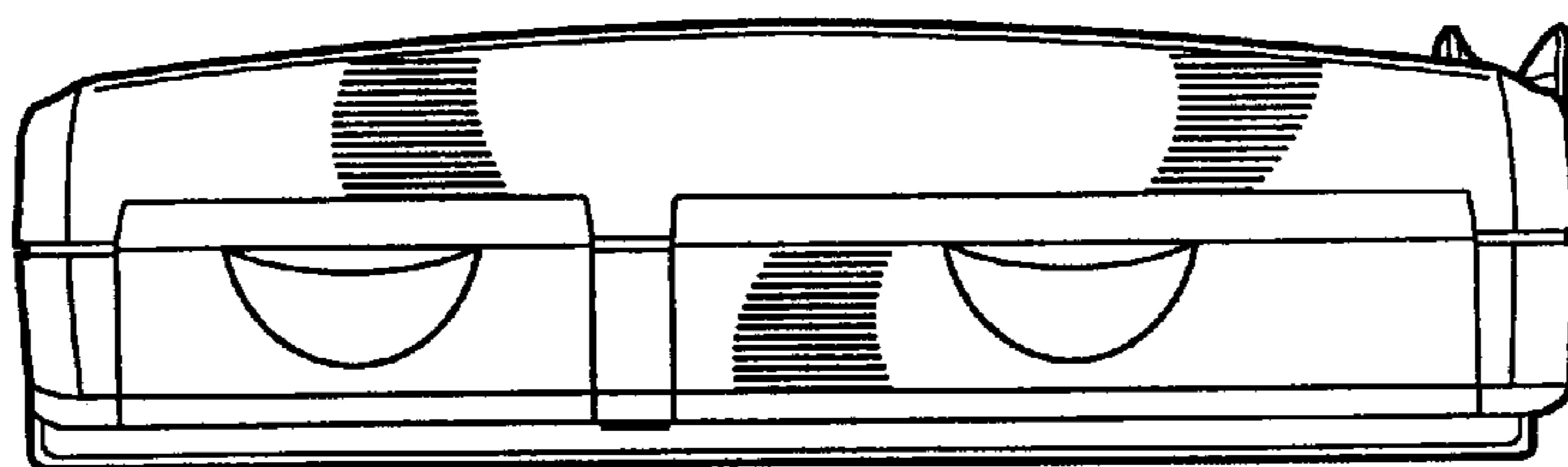


FIG. 6

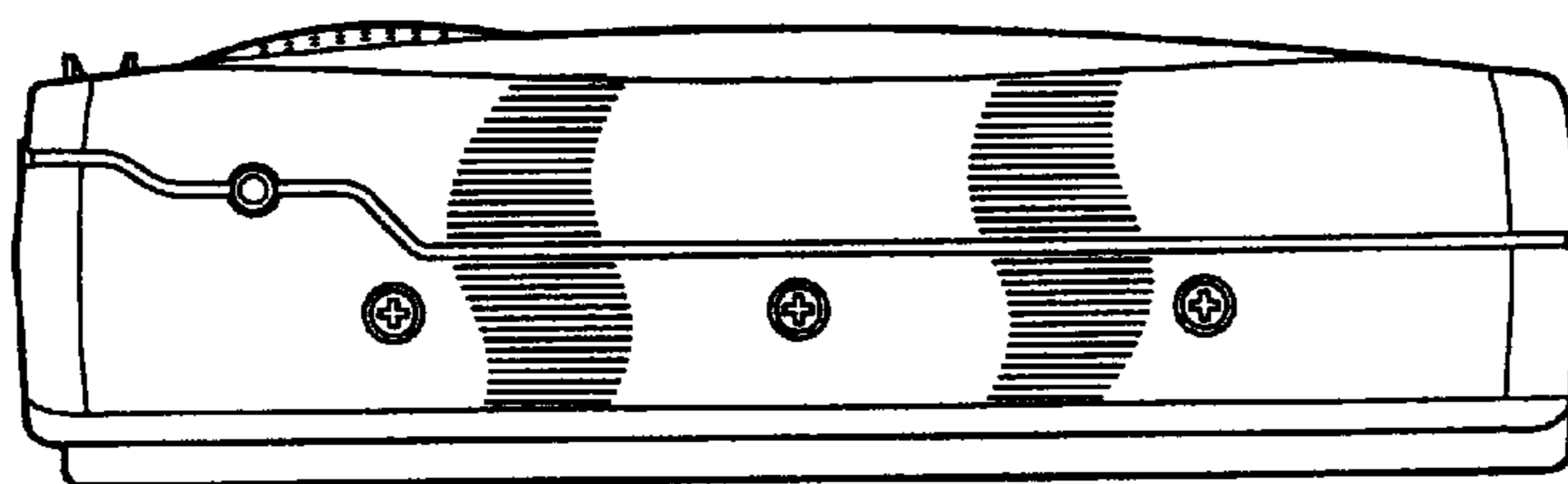


FIG. 7

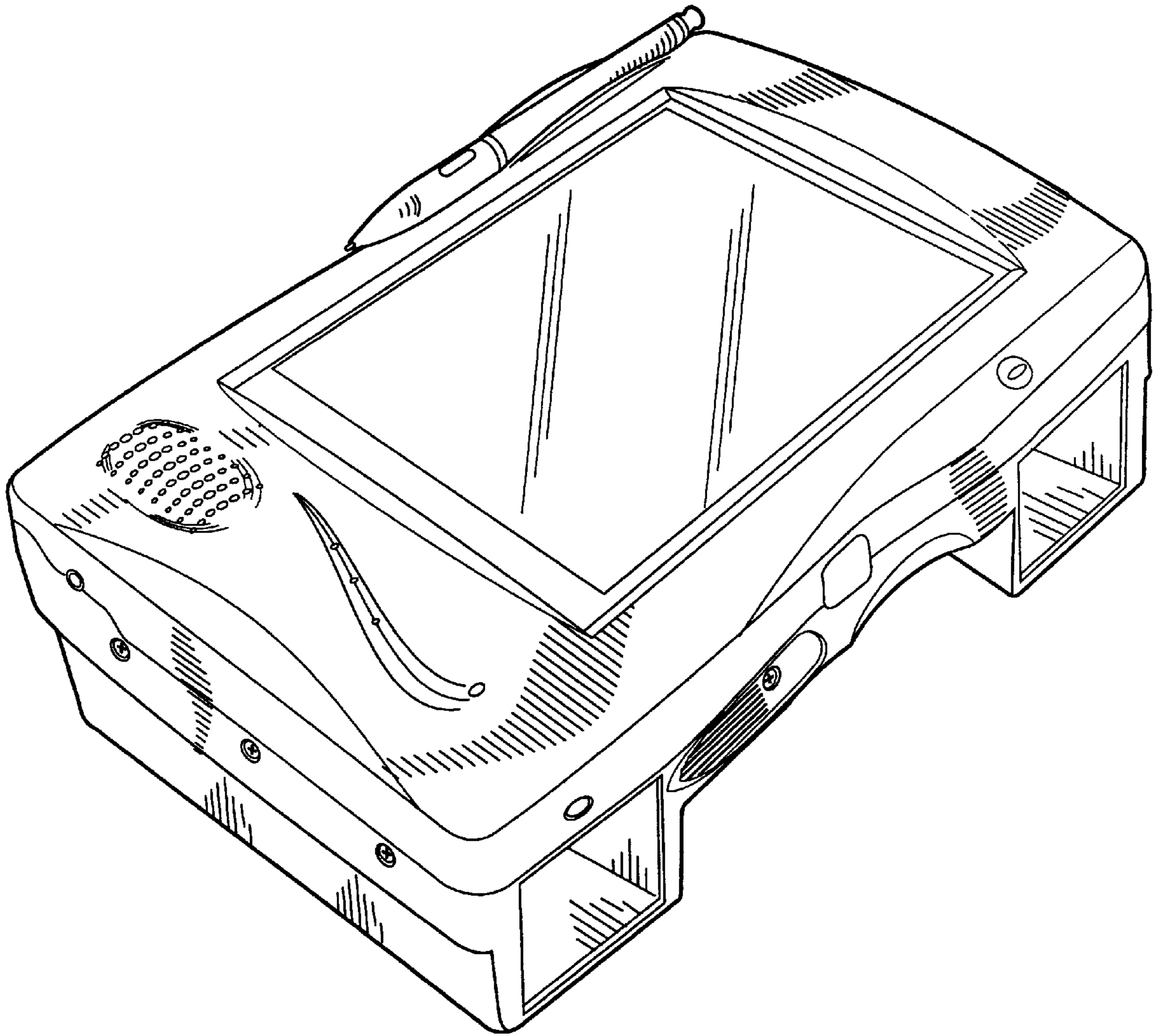


FIG. 8

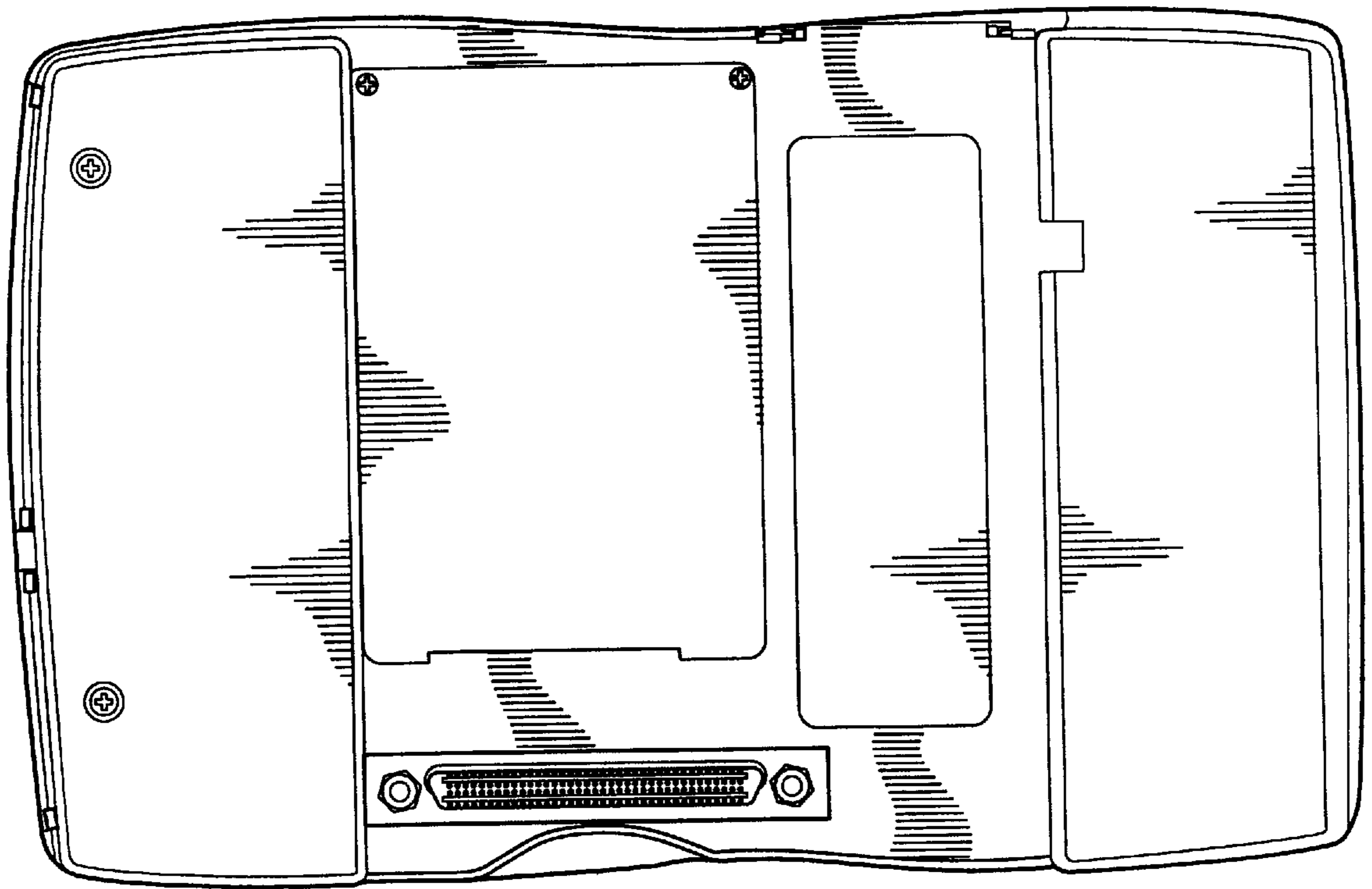


FIG. 9

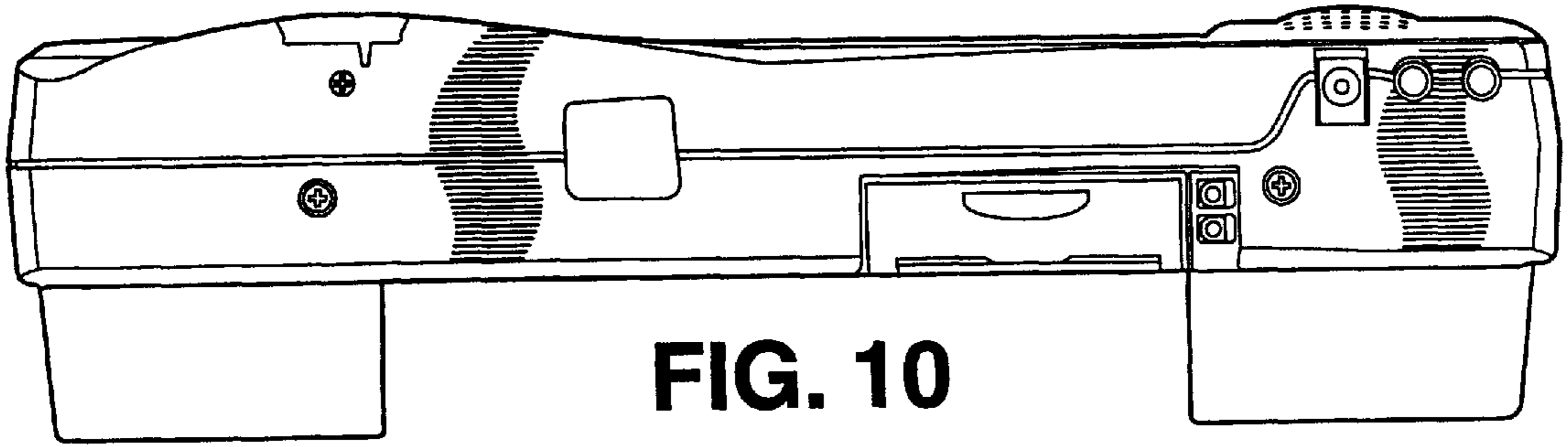


FIG. 10

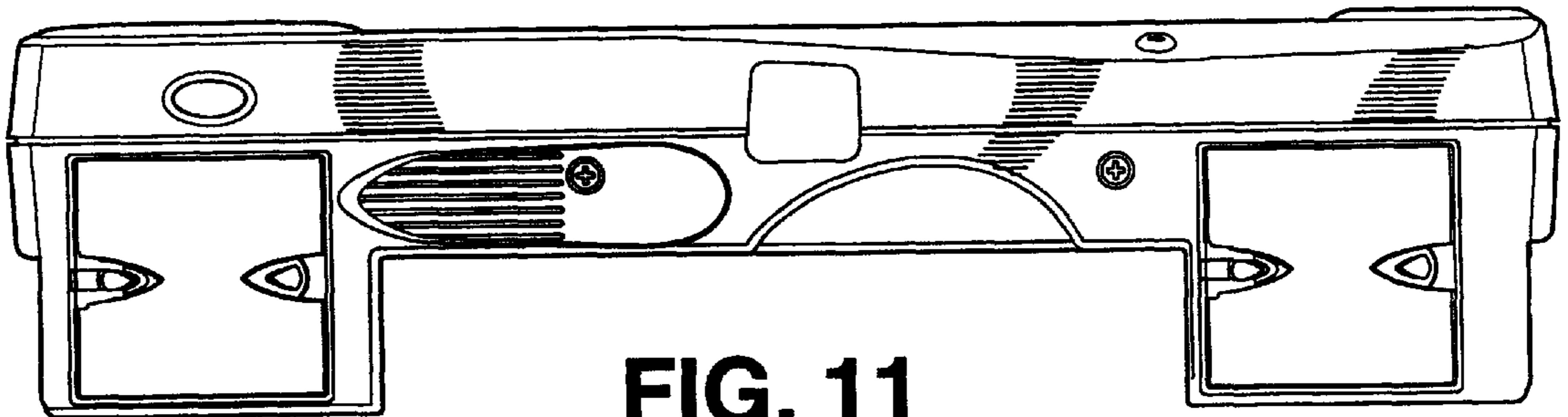


FIG. 11

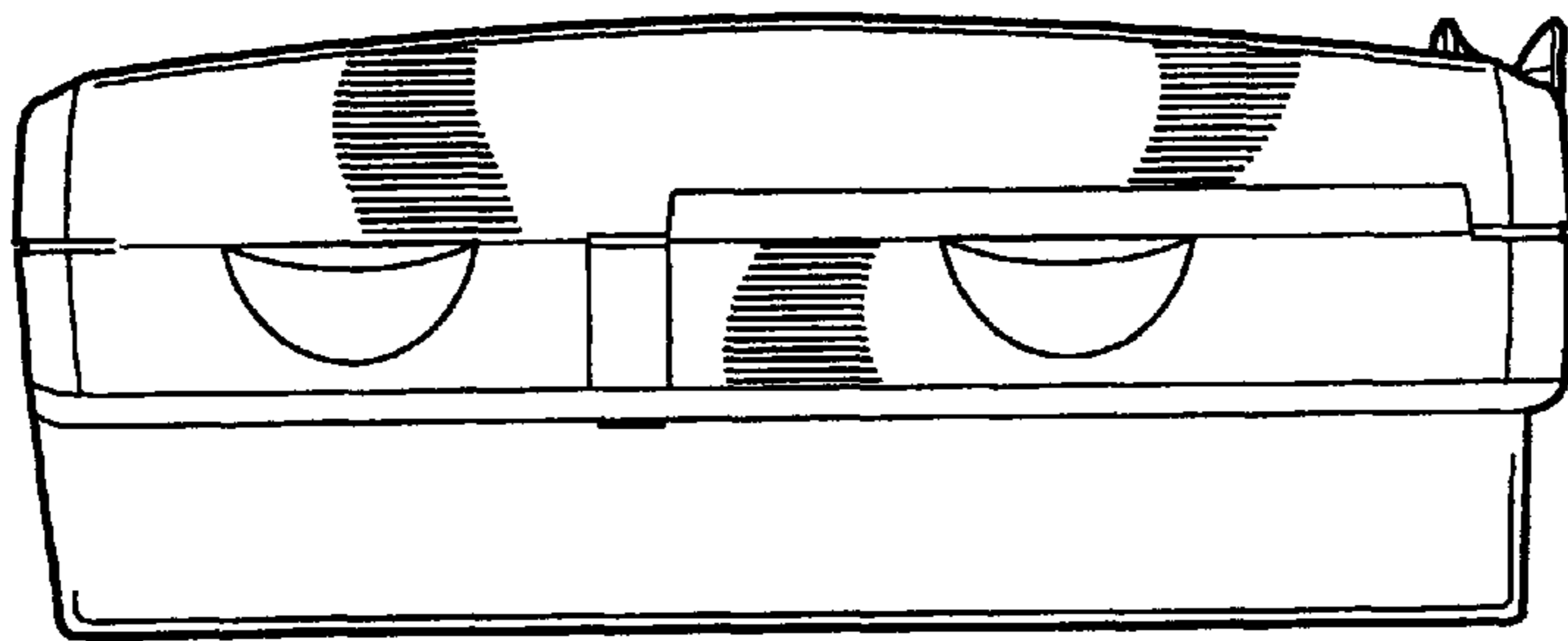


FIG. 12

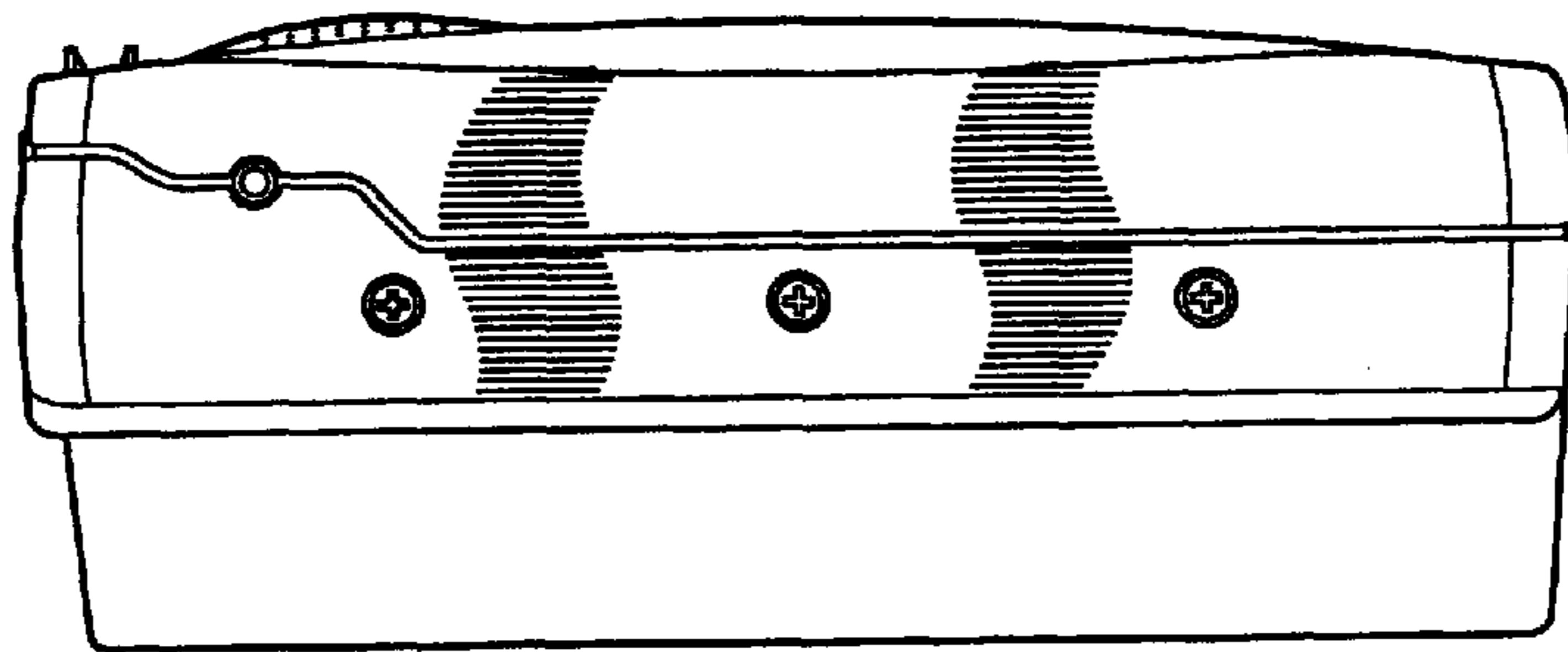


FIG. 13