



US00D424528S

United States Patent [19]
Dernehl

[11] **Patent Number: Des. 424,528**

[45] **Date of Patent: ** May 9, 2000**

- [54] **BOX**
- [75] Inventor: **James U. Dernehl**, Tarrant County, Tex.
- [73] Assignee: **Operating Technical Electronics, Inc.**, Grand Prairie, Tex.
- [**] Term: **14 Years**
- [21] Appl. No.: **29/058,561**
- [22] Filed: **Aug. 19, 1996**
- [51] **LOC (7) Cl.** **13-03**
- [52] **U.S. Cl.** **D13/184; D13/110**
- [58] **Field of Search** D13/110, 184; D10/80, 103, 104; D14/100, 102; 174/50, 51, 52 R, 65 R, 67, 76, 84 R; 361/679-821

- 5,179,501 1/1993 Ocken et al. D13/184 X
- 5,567,176 10/1996 Chiou D13/110 X

Primary Examiner—James Gandy
Assistant Examiner—Cathron B. Matta
Attorney, Agent, or Firm—Locke Purnell Rain Harrell

[57] **CLAIM**

The ornamental design for a box, as shown and described.

DESCRIPTION

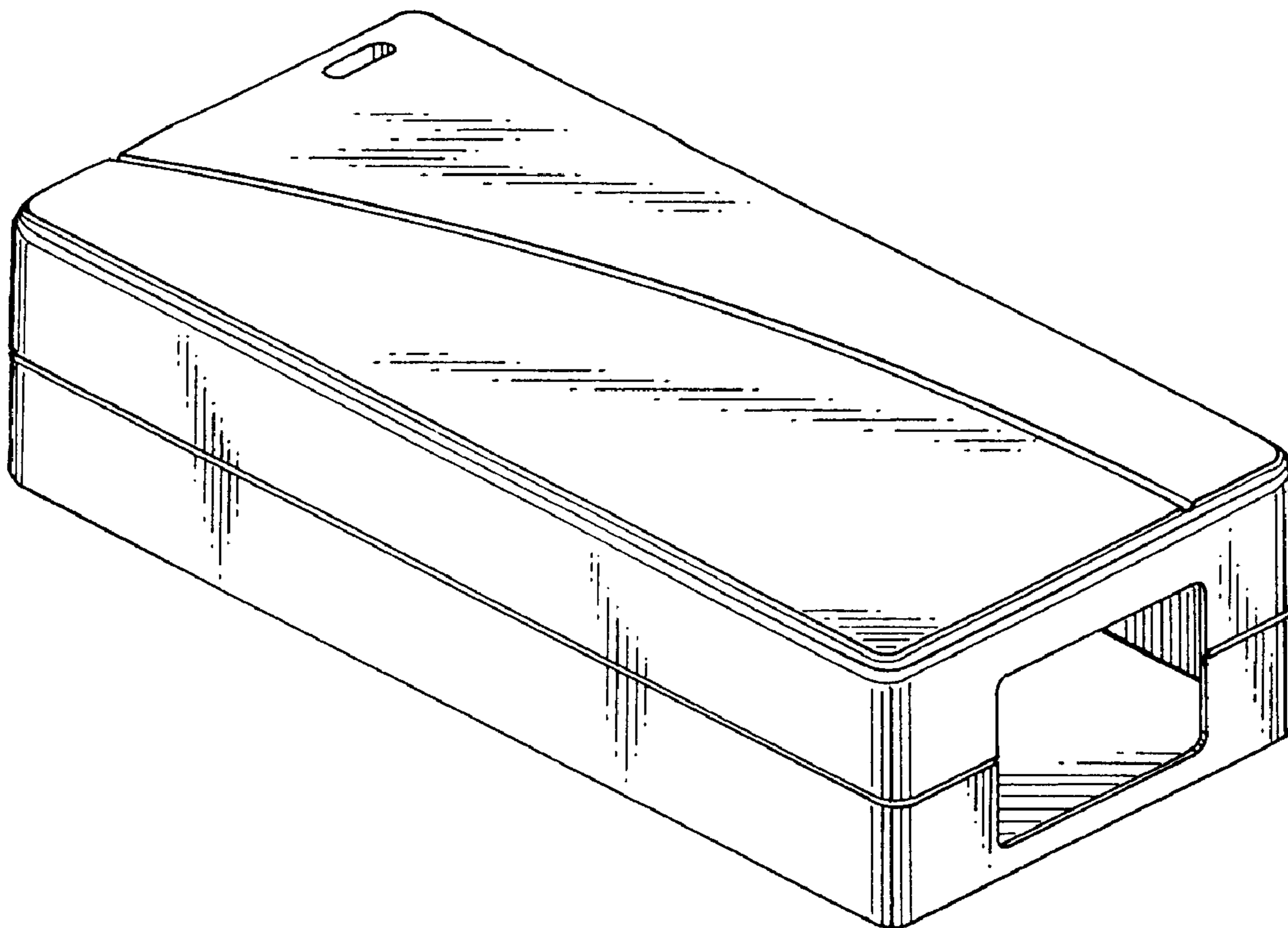
FIG. 1 is a top perspective view of one embodiment a box showing my new design;
FIG. 2 is a top plan view thereof;
FIG. 3 is a side elevational view; the opposite being a mirror image of that shown in FIG. 3;
FIG. 4 is an end elevational view thereof;
FIG. 5 is an end elevational view of the end opposite that shown in FIG. 4;
FIG. 6 is a bottom plan view of the embodiment of FIG. 1; and,
FIG. 7 is a top plan view of an alternative embodiment of my box, the side views thereof being the same as shown and described in FIG. 3, the end views thereof being the same as shown in FIGS. 4 and 5, and the bottom view thereof being the same as shown in FIG. 6.

[56] **References Cited**

U.S. PATENT DOCUMENTS

- D. 259,708 6/1981 Swinstead D10/80
- D. 276,796 12/1984 Allender, Jr. D10/103 X
- D. 278,999 5/1985 Zimmerman D13/184
- D. 316,853 5/1991 Dickey D13/184 X
- D. 375,483 11/1996 Tashiro D13/110
- 4,126,369 11/1978 Rapata et al. 174/52 R

1 Claim, 3 Drawing Sheets



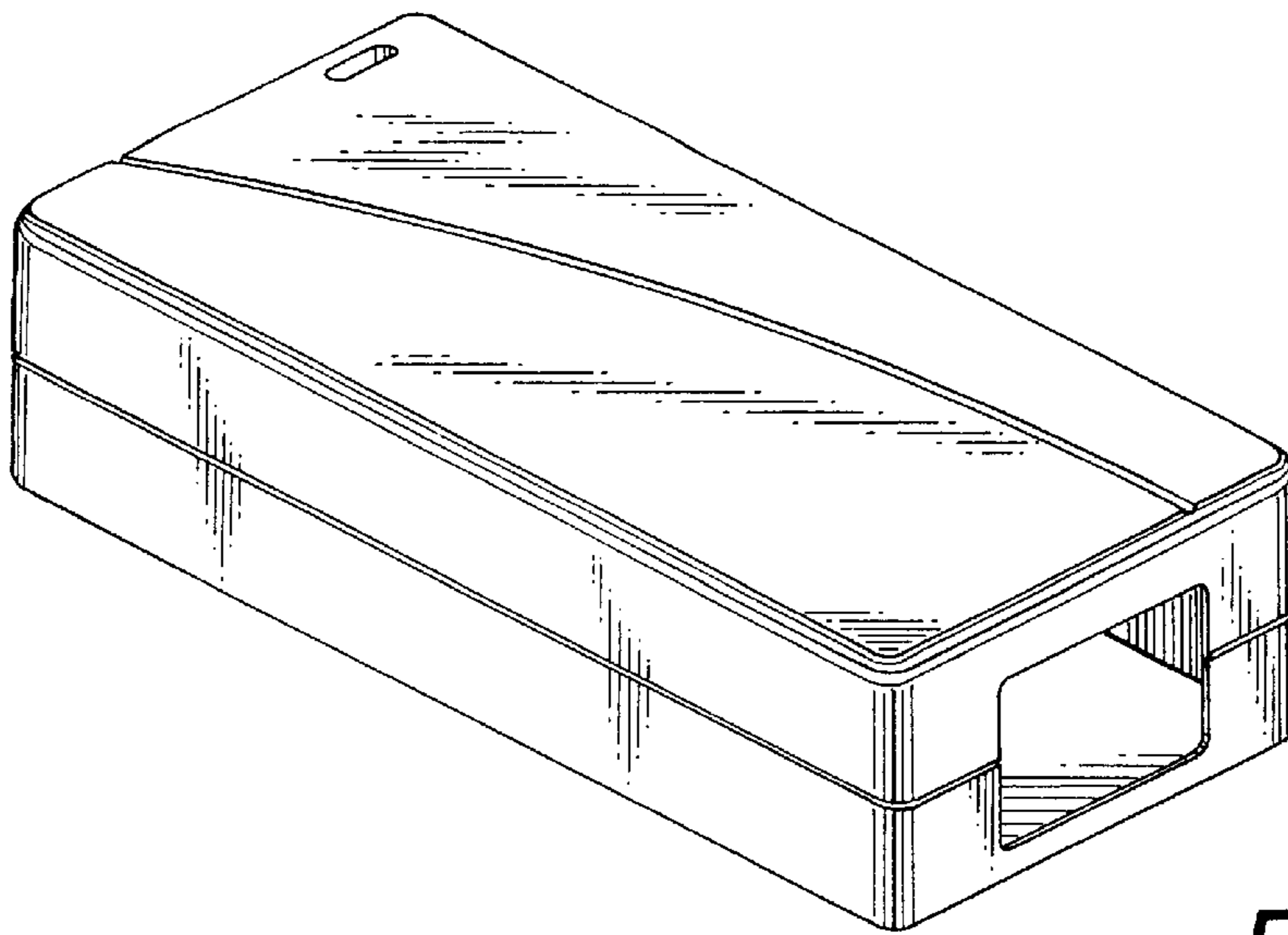


Fig. 1

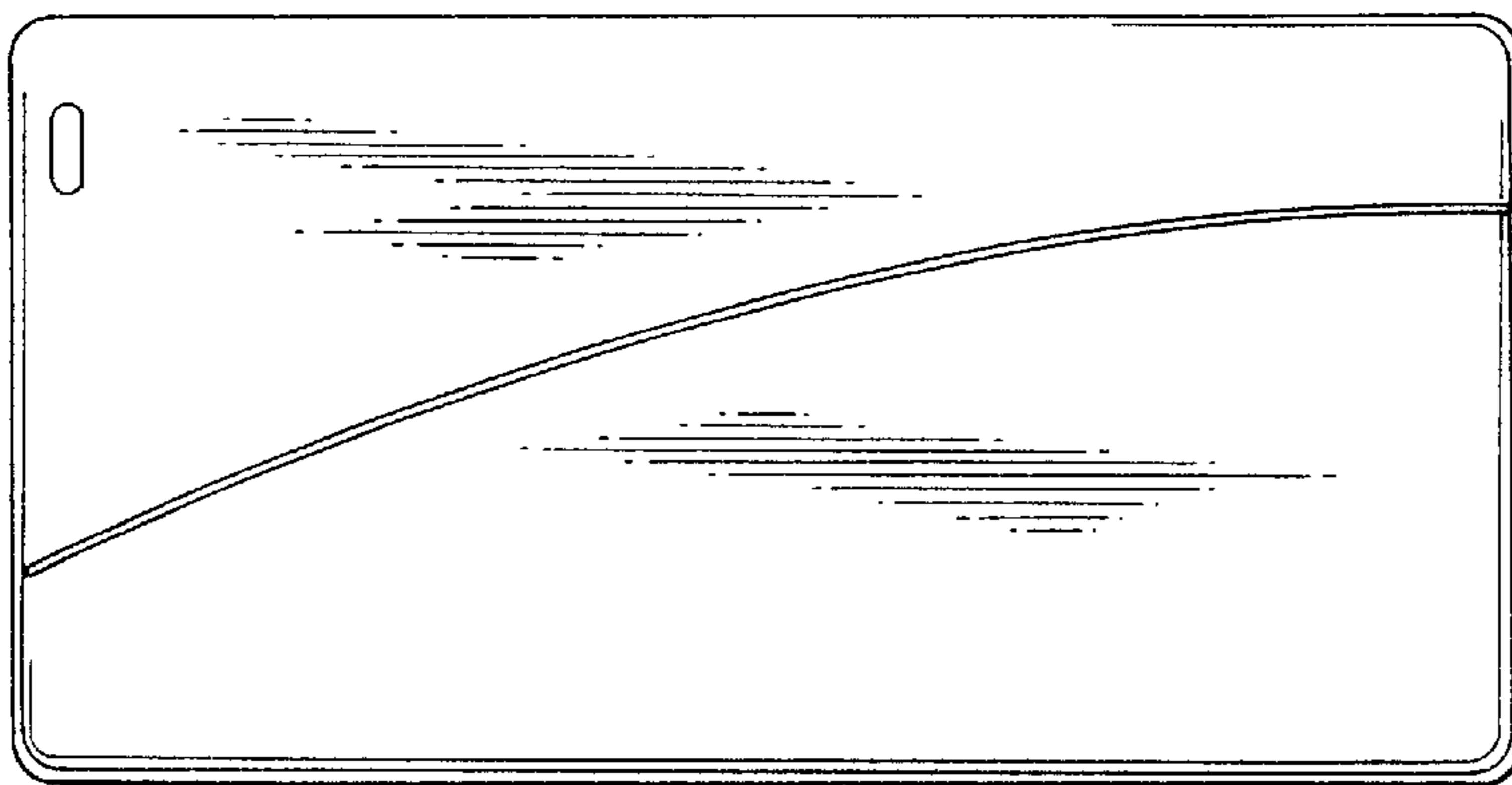


Fig. 2

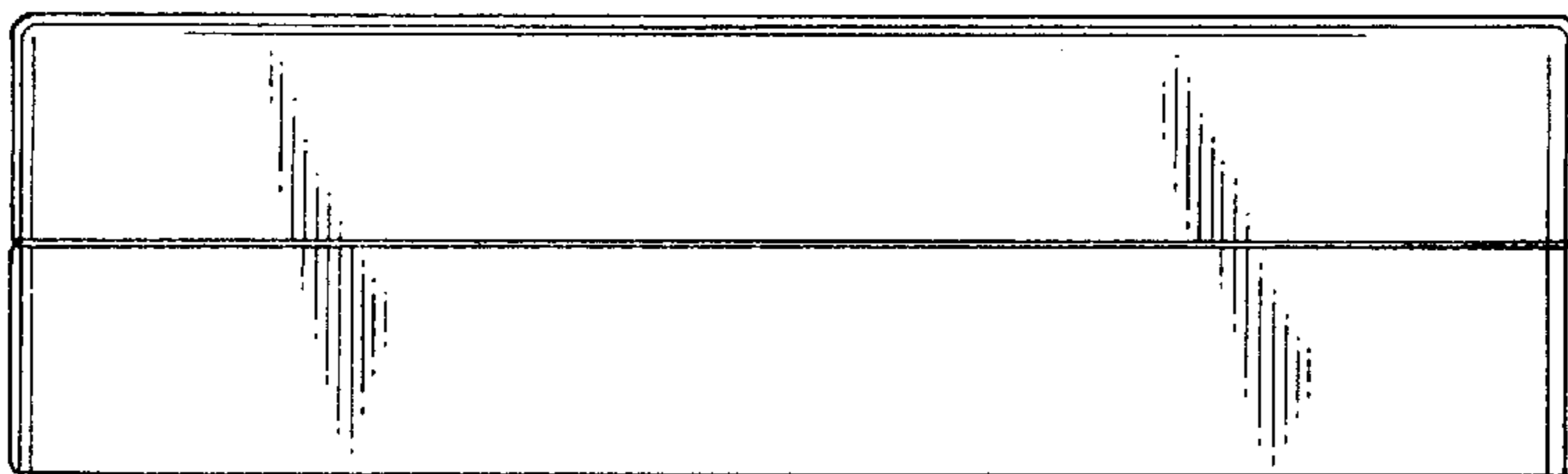


Fig. 3

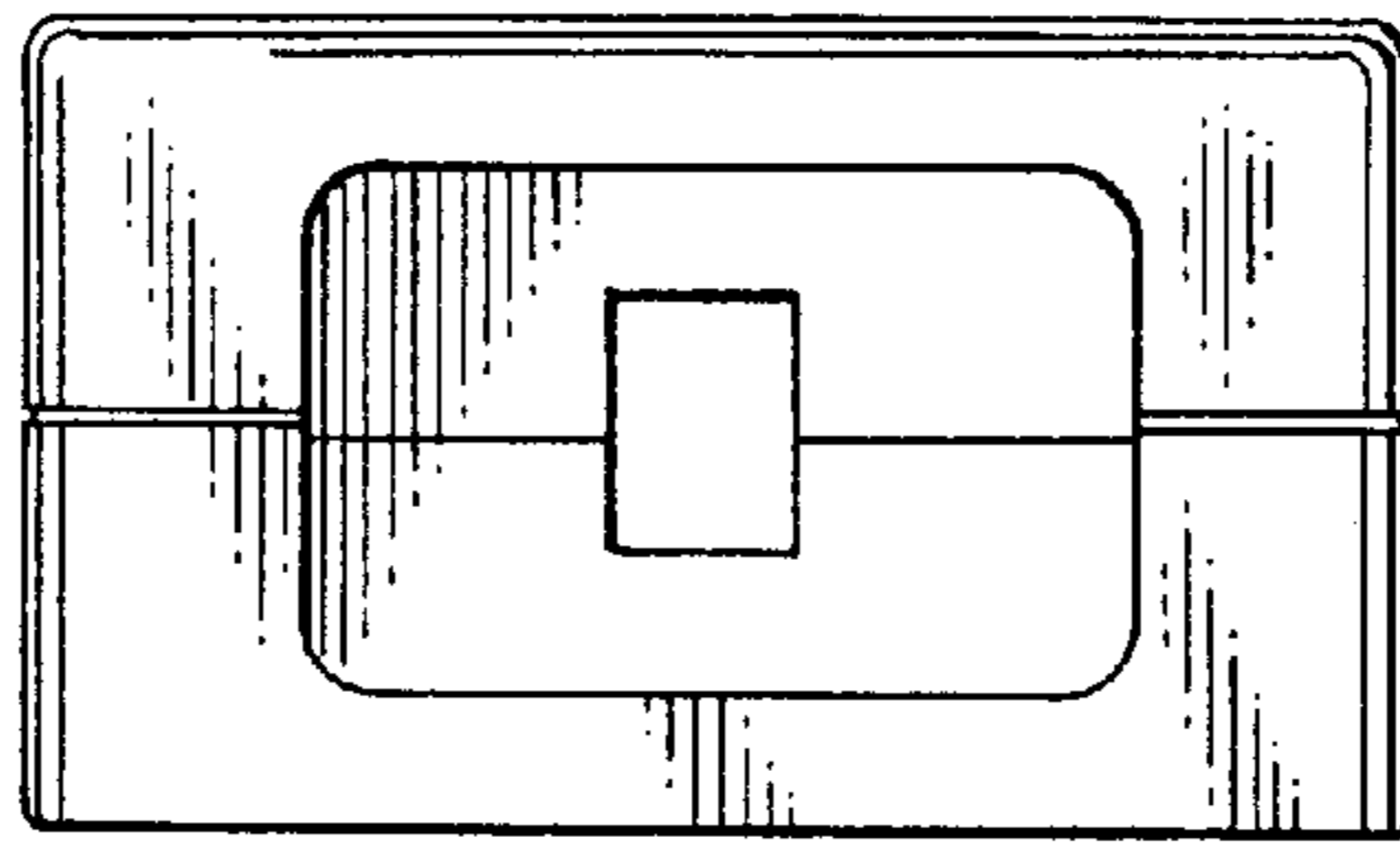


Fig. 4

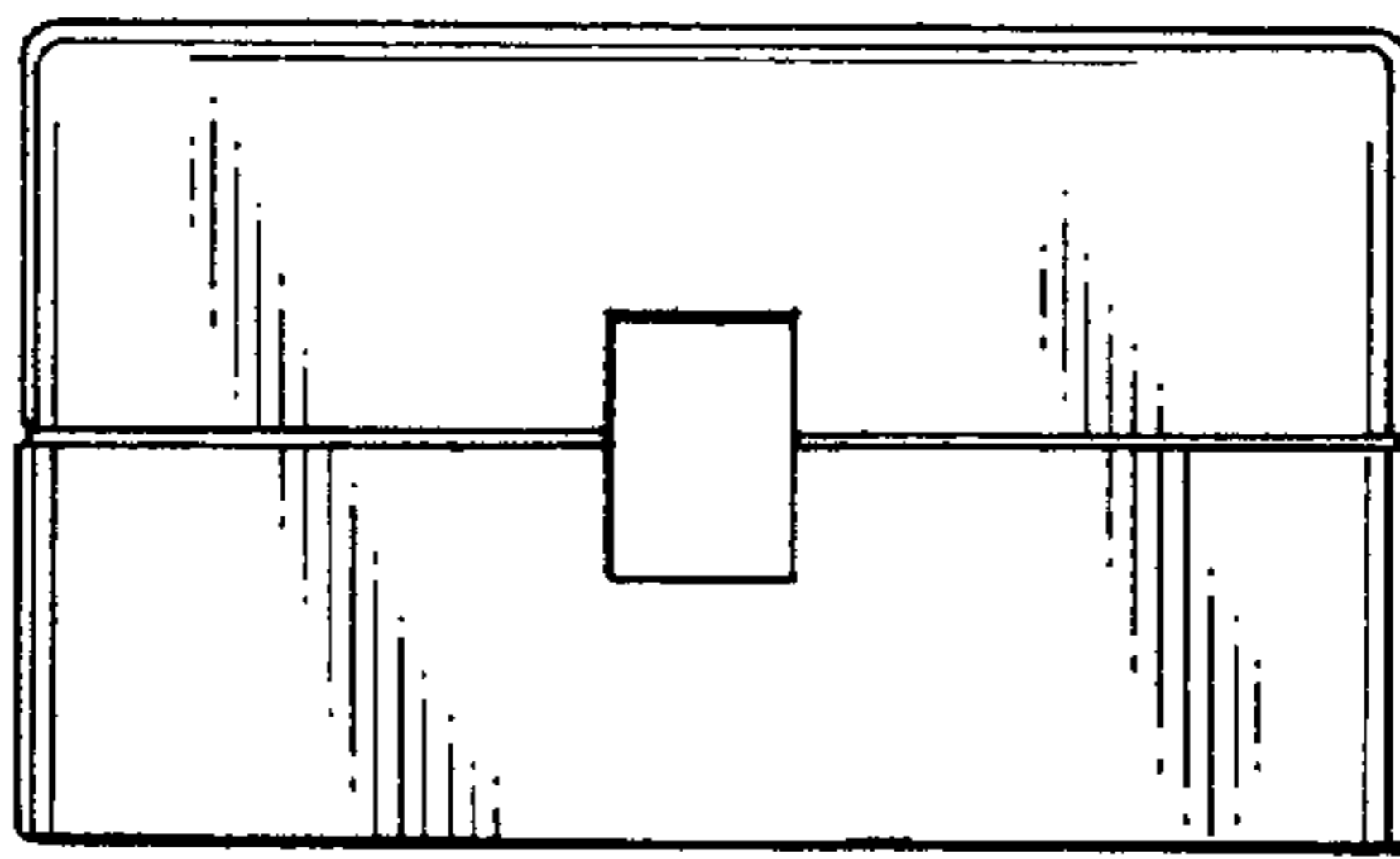


Fig. 5

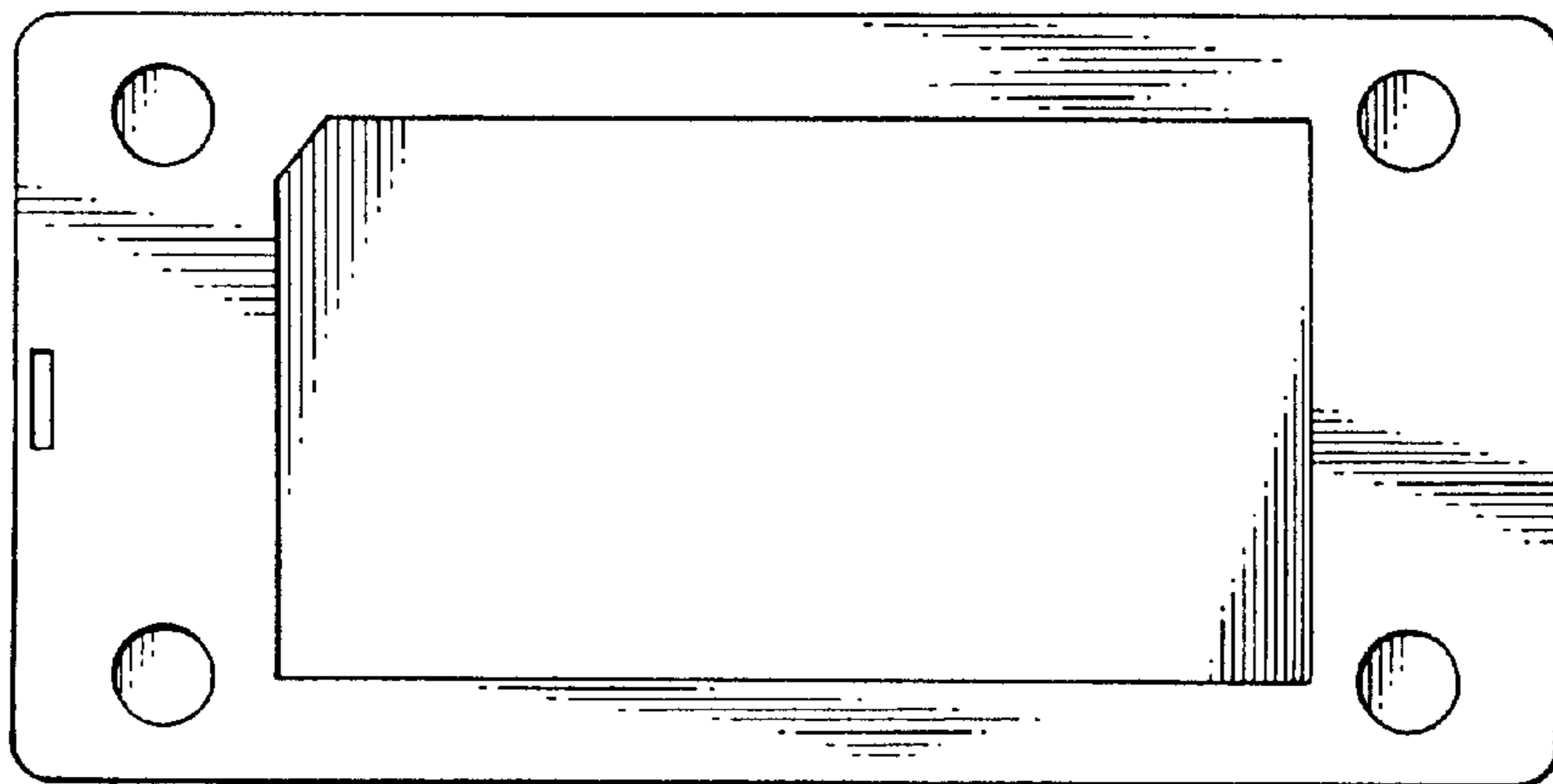


Fig. 6

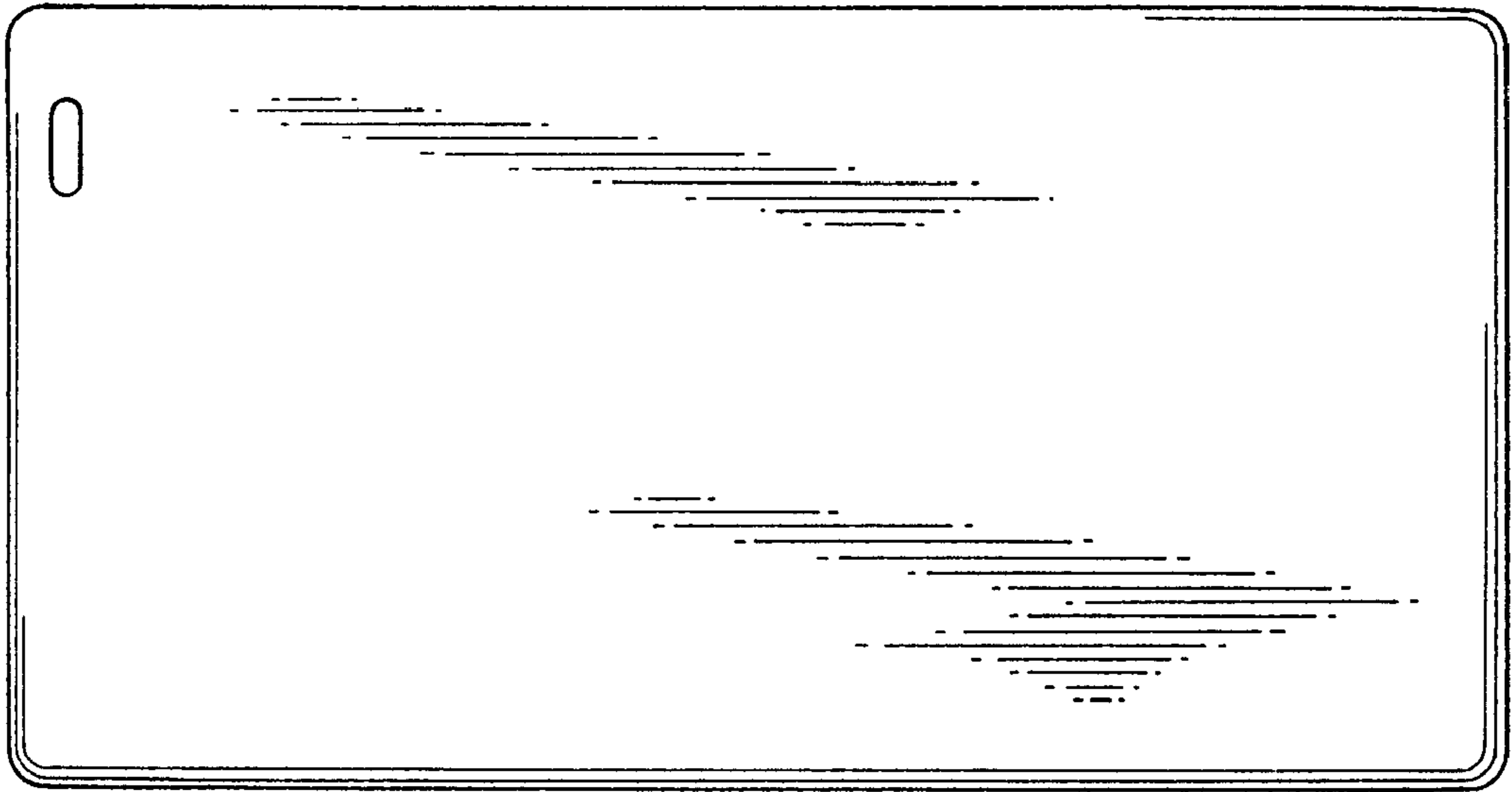


Fig. 7