



US00D424527S

United States Patent [19]
Ishii

[11] **Patent Number: Des. 424,527**

[45] **Date of Patent: ** May 9, 2000**

[54] **QUARTZ FIN HEAT RETAINING TUBE**

[75] Inventor: **Katsutoshi Ishii**, Kanagawa, Japan

[73] Assignee: **Tokyo Electron Limited**, Tokyo-To, Japan

[**] Term: **14 Years**

[21] Appl. No.: **29/074,283**

[22] Filed: **Jul. 24, 1997**

[30] **Foreign Application Priority Data**

Jan. 31, 1997 [JP] Japan 9-2657

[51] **LOC (7) Cl.** **13-03**

[52] **U.S. Cl.** **D13/182**

[58] **Field of Search** D23/340; D13/182,
D13/179; D15/144, 144.1, 199; 392/416,
418; 118/724, 725, 500

[56] **References Cited**

U.S. PATENT DOCUMENTS

D. 361,752 8/1995 Yamaga D13/182

D. 380,454 7/1997 Iwai et al. D13/182
5,303,671 4/1994 Kondo et al. 118/725

Primary Examiner—Lisa Lichtenstein
Attorney, Agent, or Firm—Ladas & Parry

[57] **CLAIM**

The ornamental design for a quartz fin heat retaining tube, as shown.

DESCRIPTION

FIG. 1: a perspective view of a quartz fin heat retaining tube.
FIG. 2: a top plan view thereof.
FIG. 3: a front elevational view thereof.
FIG. 4: a cross sectional view taken along line 4—4 in FIG. 3.
FIG. 5: a cross sectional view taken along line 5—5 in FIG. 3.
FIG. 6: a left side view thereof.
FIG. 7: a right side view thereof.
FIG. 8: a bottom plan view thereof.
FIG. 9: a rear elevational view thereof; and,
FIG. 10: a reference figure showing the using state.

1 Claim, 3 Drawing Sheets

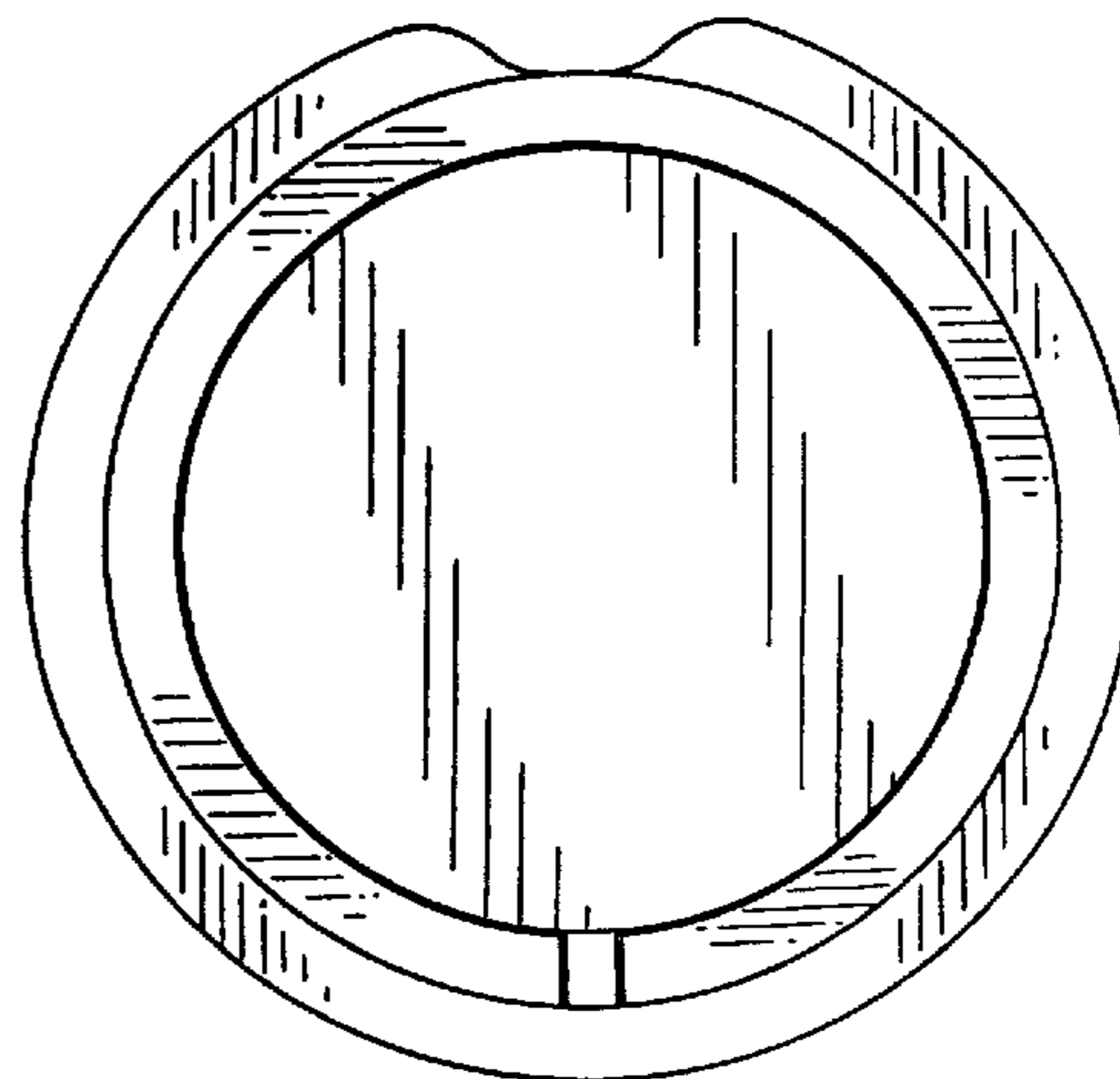
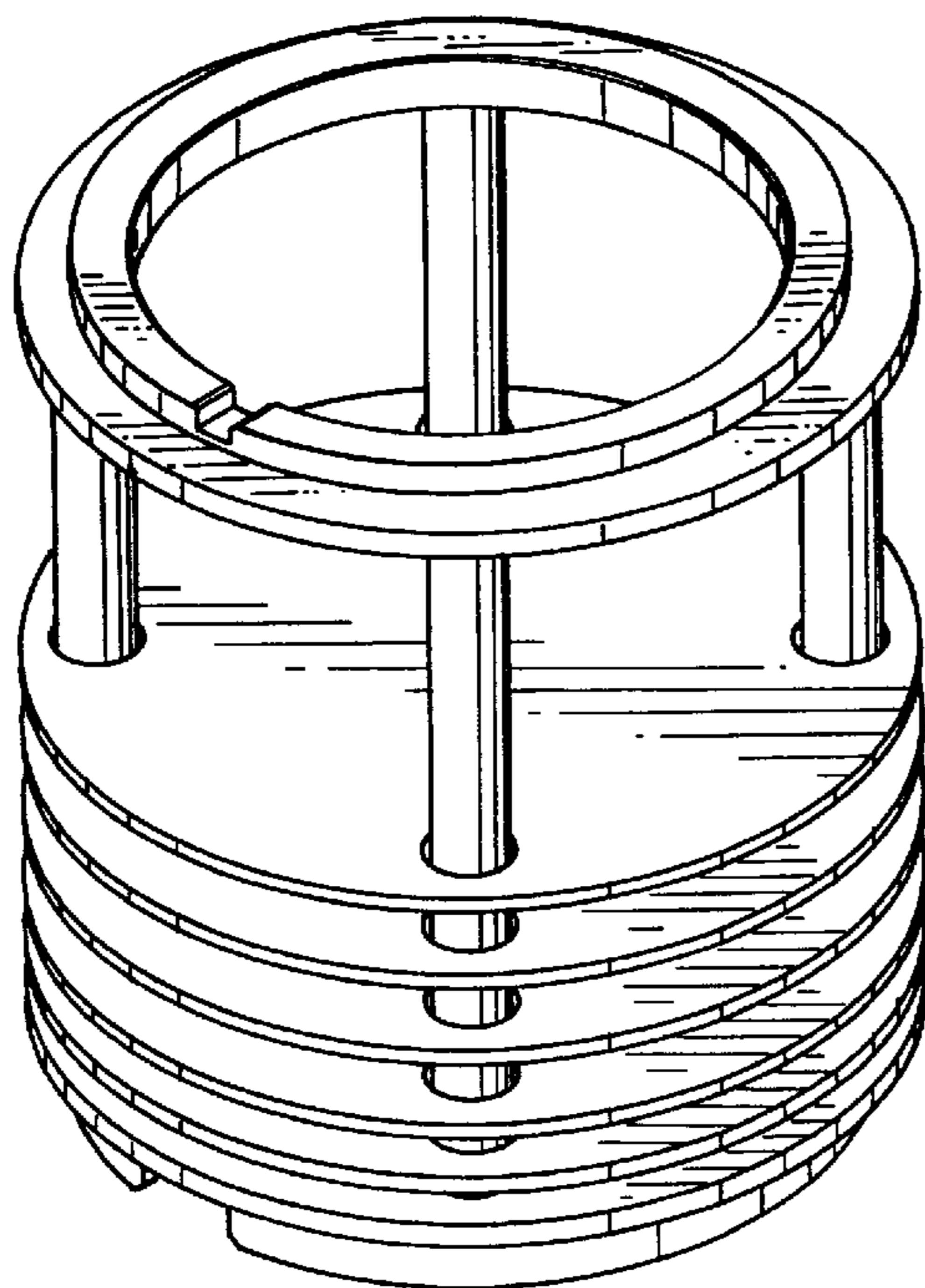


FIG. 1

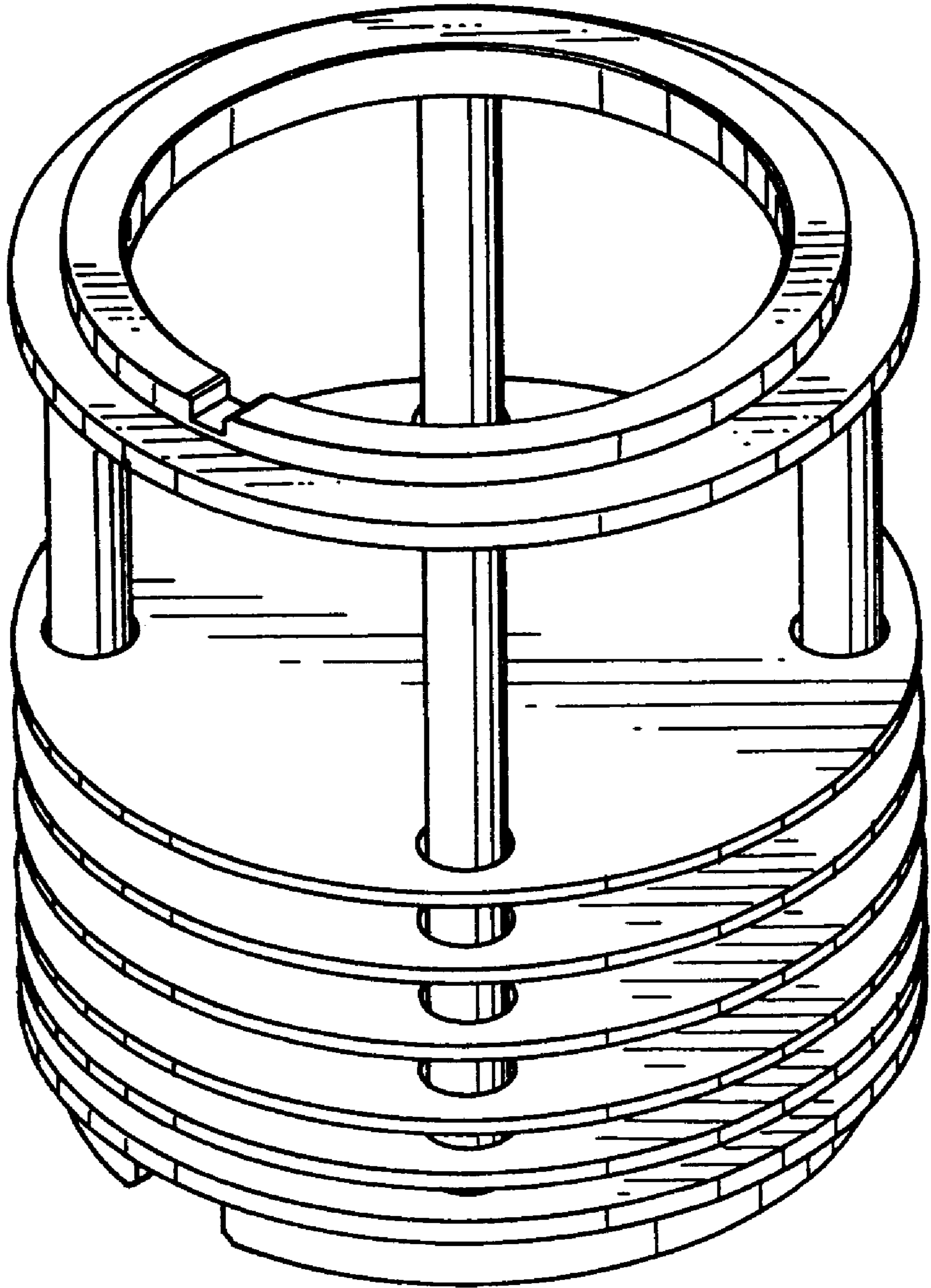


FIG. 2

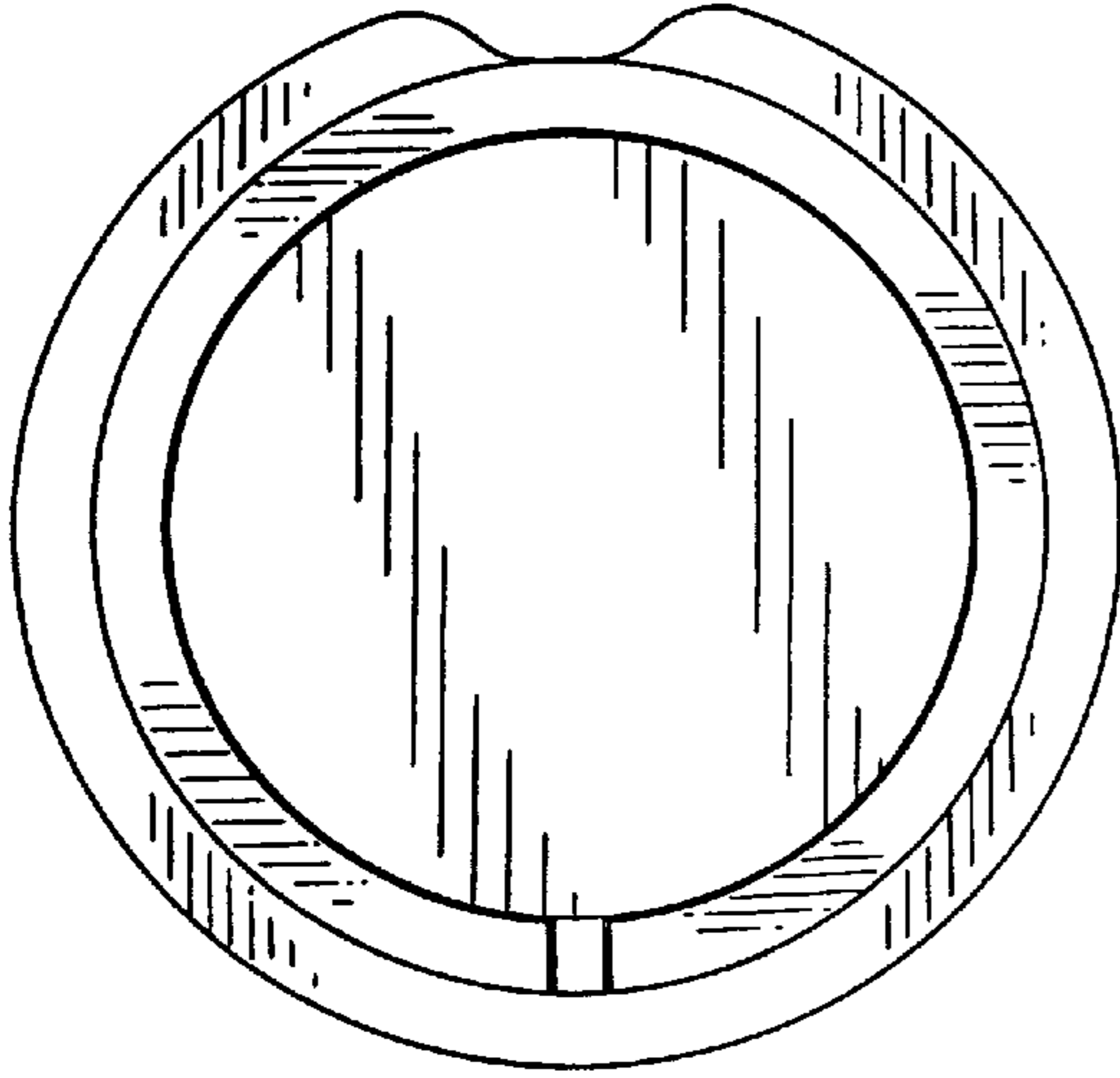


FIG. 4

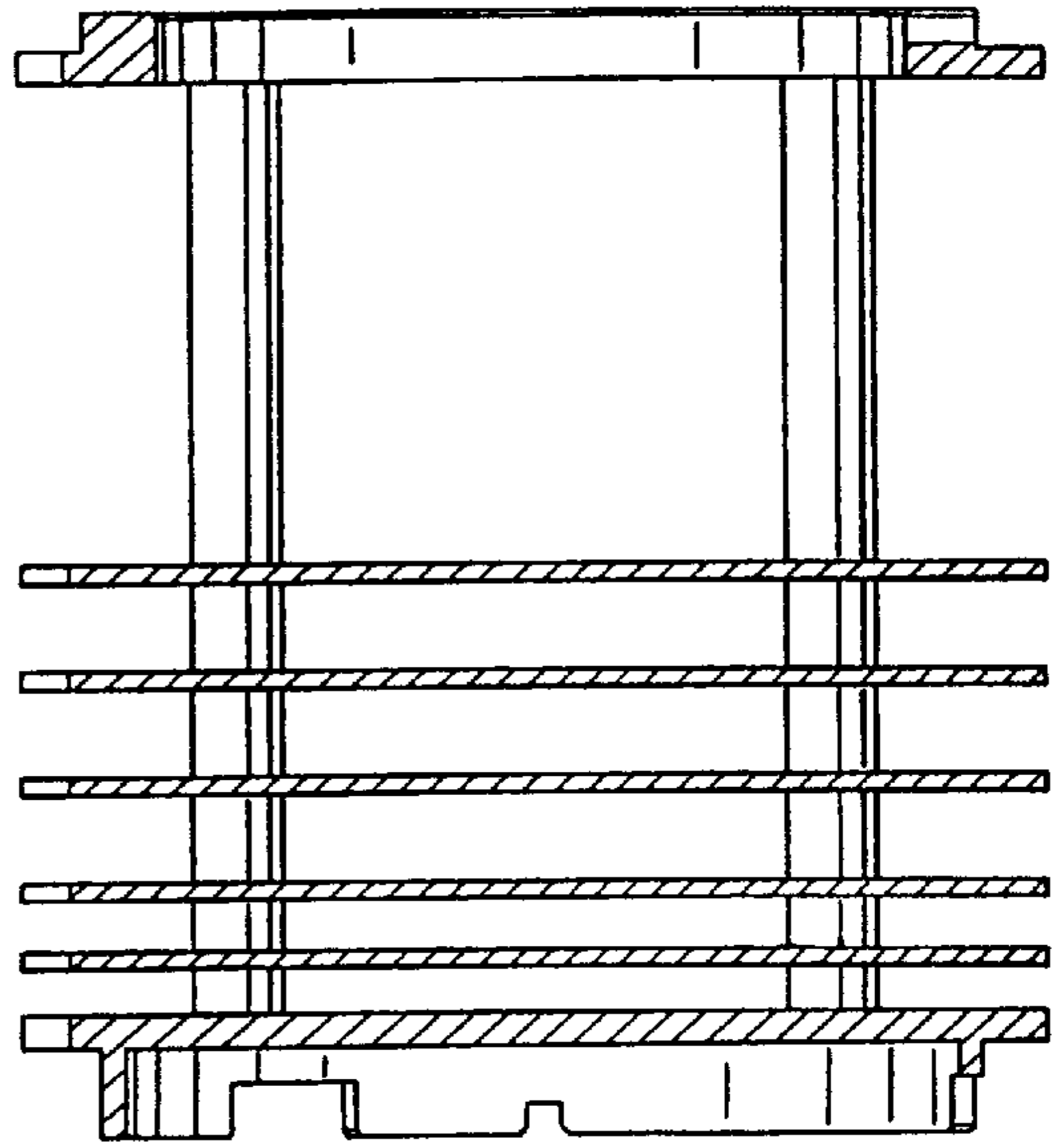


FIG. 3

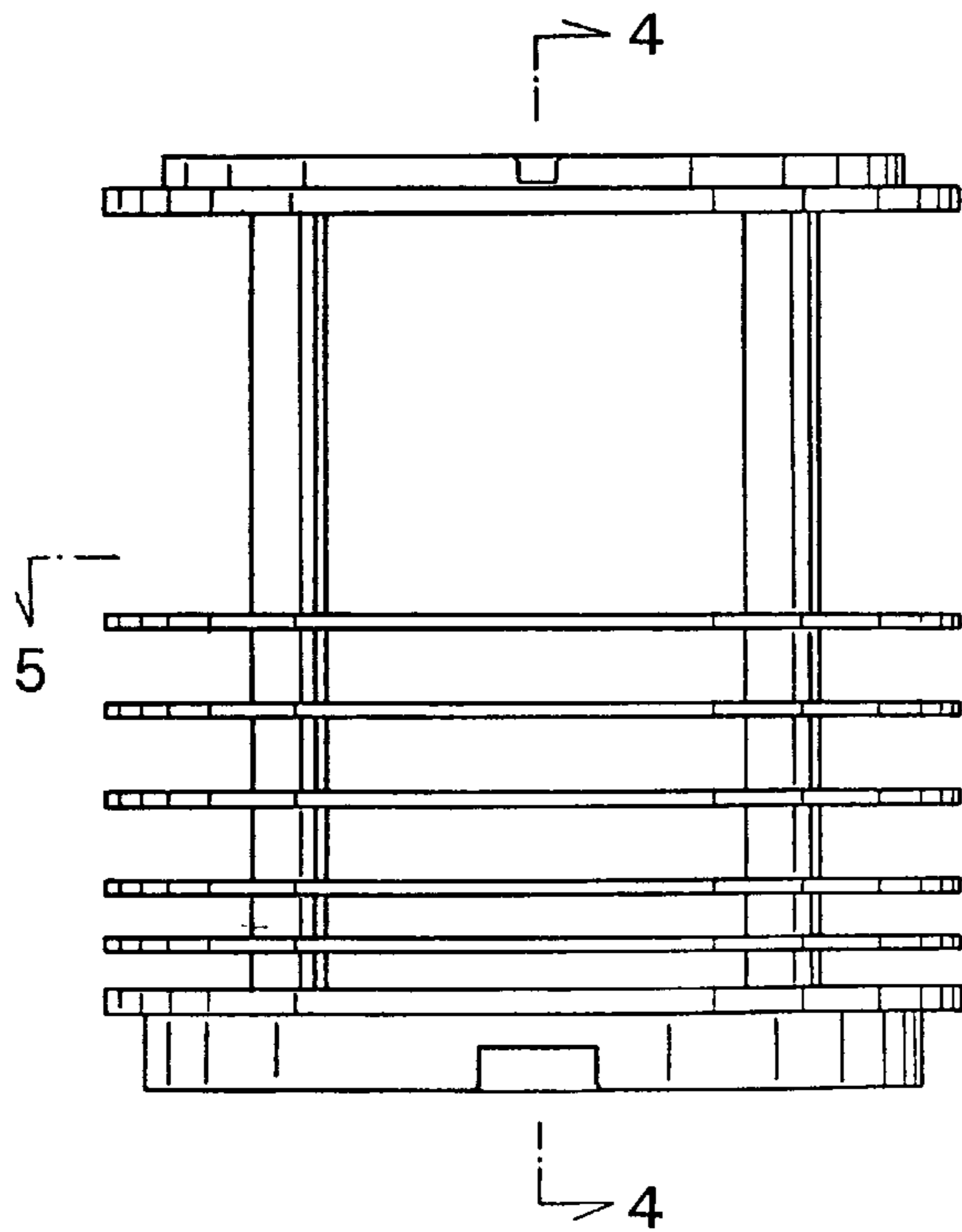


FIG. 5

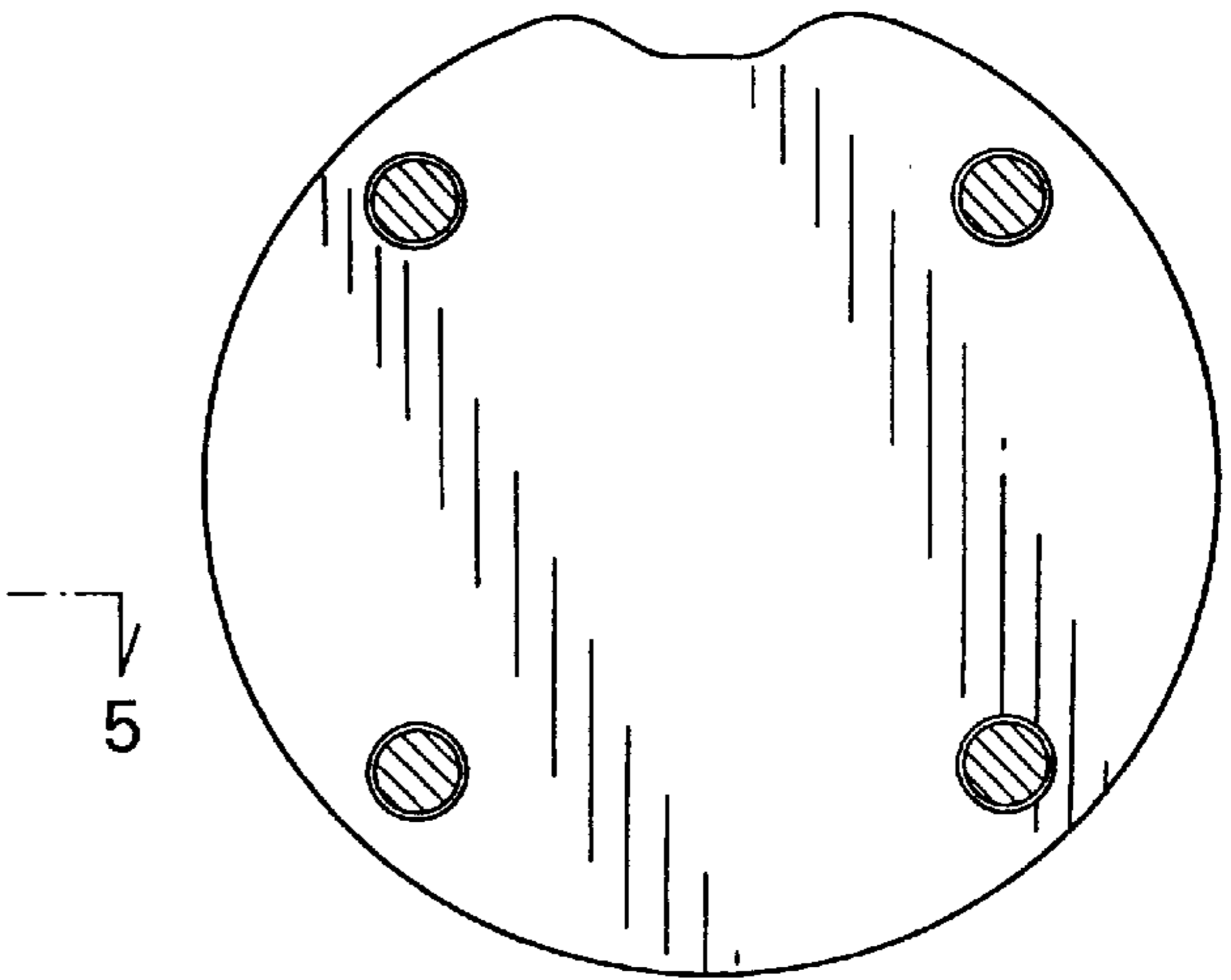


FIG. 6

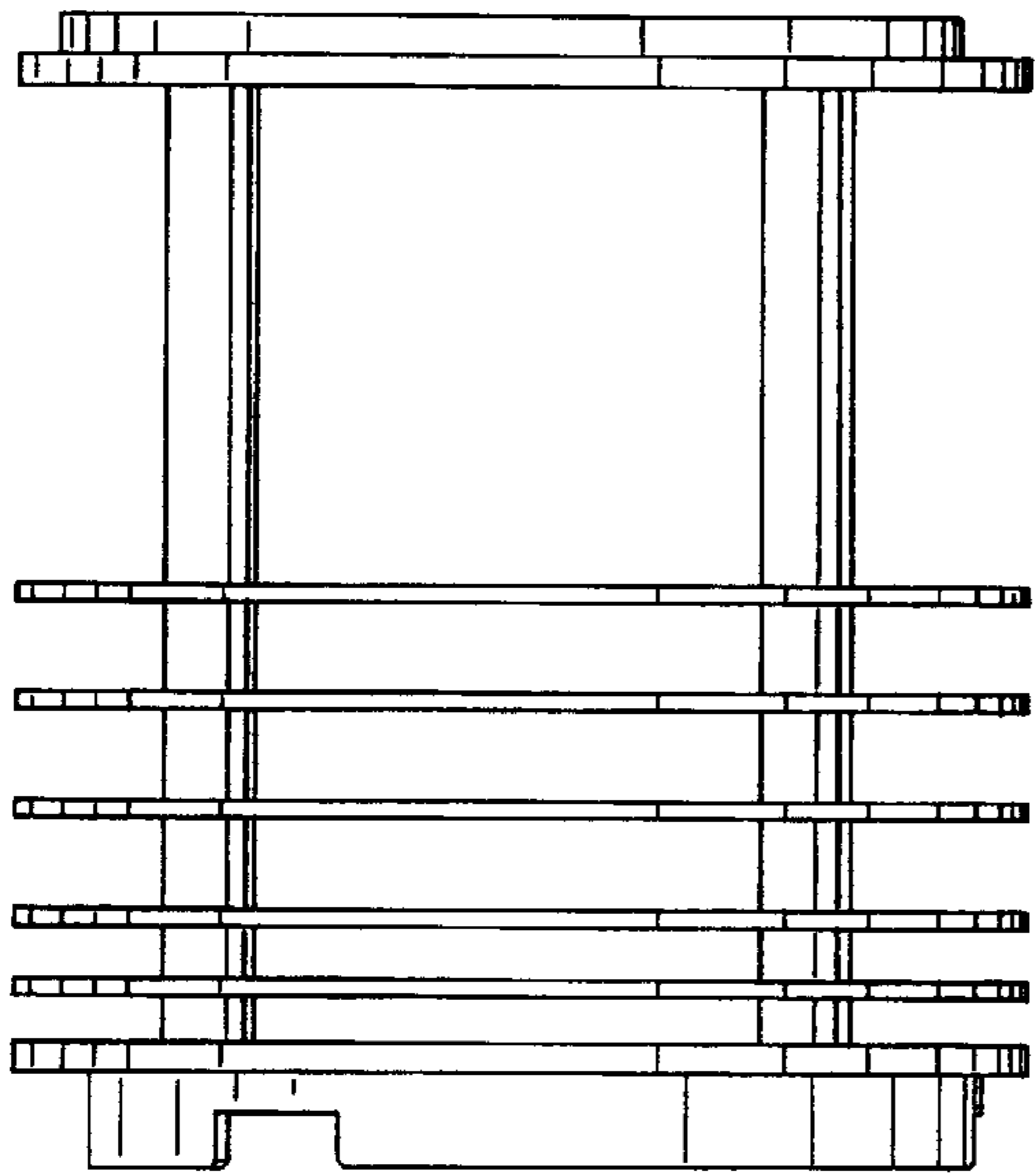


FIG. 7

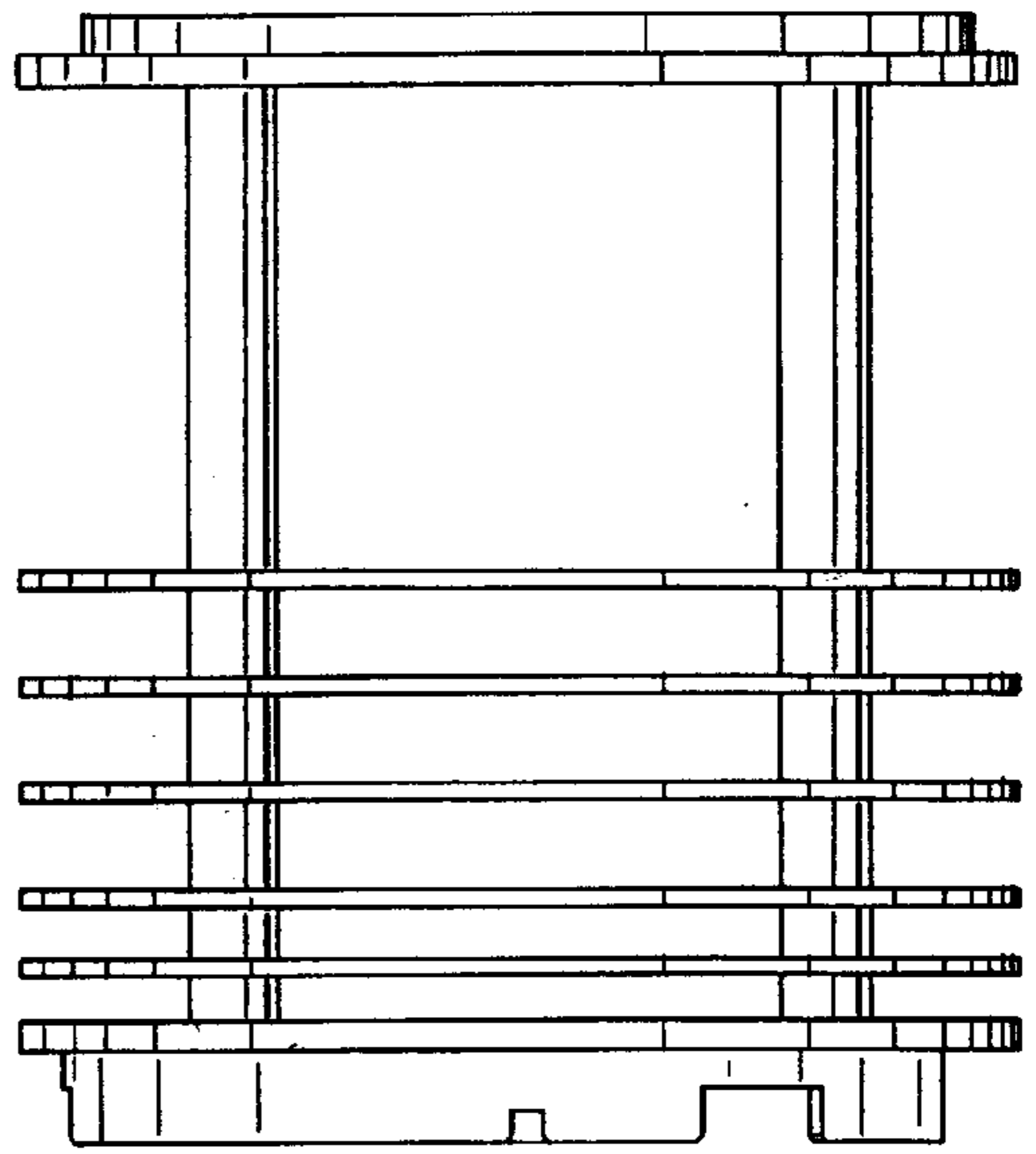


FIG. 8

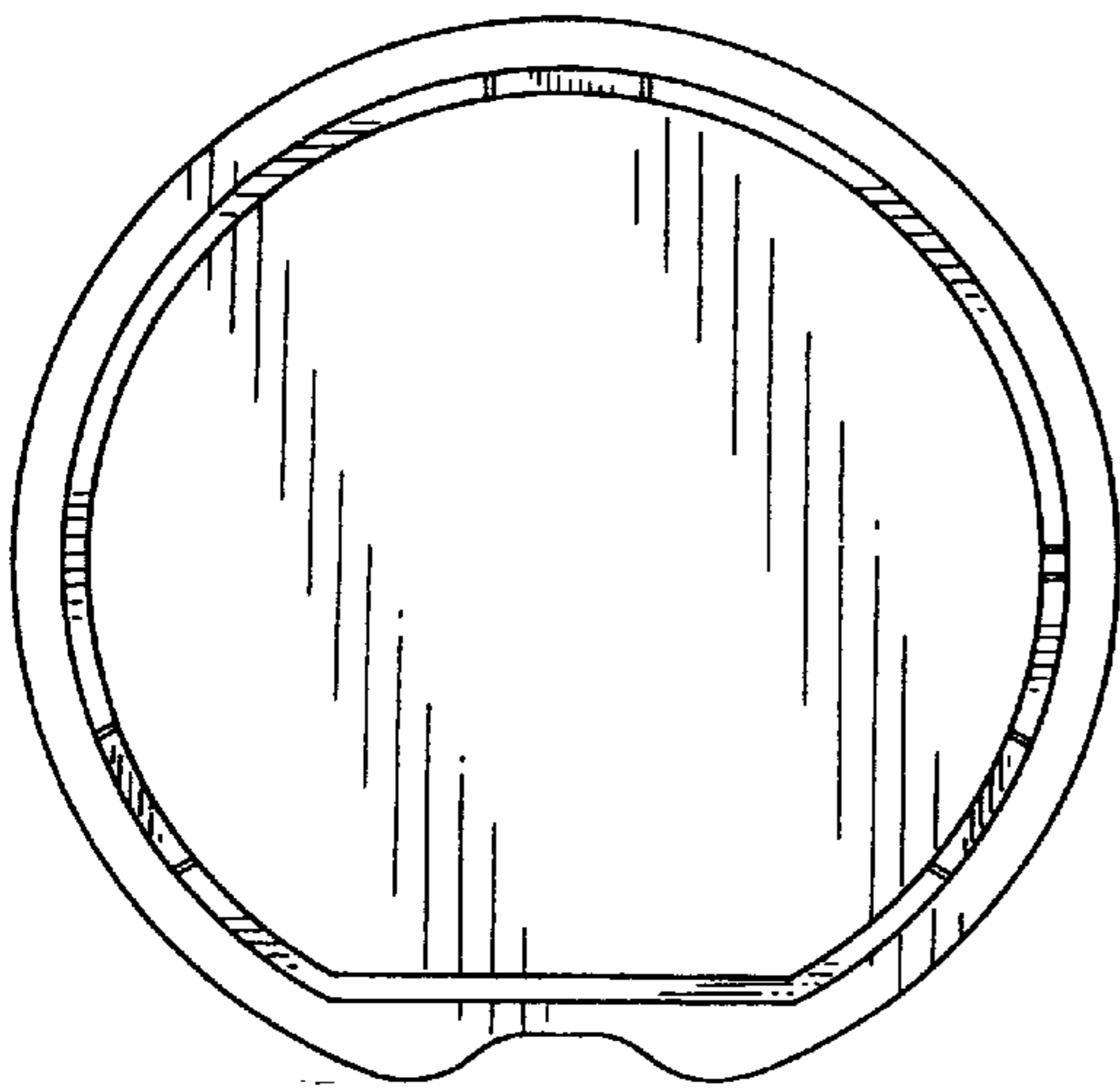


FIG. 9

