



US00D424526S

United States Patent [19] Yang

[11] **Patent Number: Des. 424,526**

[45] **Date of Patent: ** May 9, 2000**

[54] **POWER SUPPLY PANEL**

D. 382,880 8/1997 Cienkus et al. D13/162 X
D. 410,653 6/1999 Roy et al. D13/184 X

[76] Inventor: **Ming-Hsiu Yang**, 9, L119, Roosevelt Rd., Sec. 1, Taipei, Taiwan

Primary Examiner—Brian N. Vinson

[**] Term: **14 Years**

[57] **CLAIM**

[21] Appl. No.: **29/098,981**

The ornamental design for a power supply panel, as shown and described.

[22] Filed: **Jan. 8, 1999**

DESCRIPTION

[51] **LOC (7) Cl. 13-03**

[52] **U.S. Cl. D13/177**

[58] **Field of Search** D13/162, 164,
D13/177; D14/140, 142; 379/419, 420,
428, 440

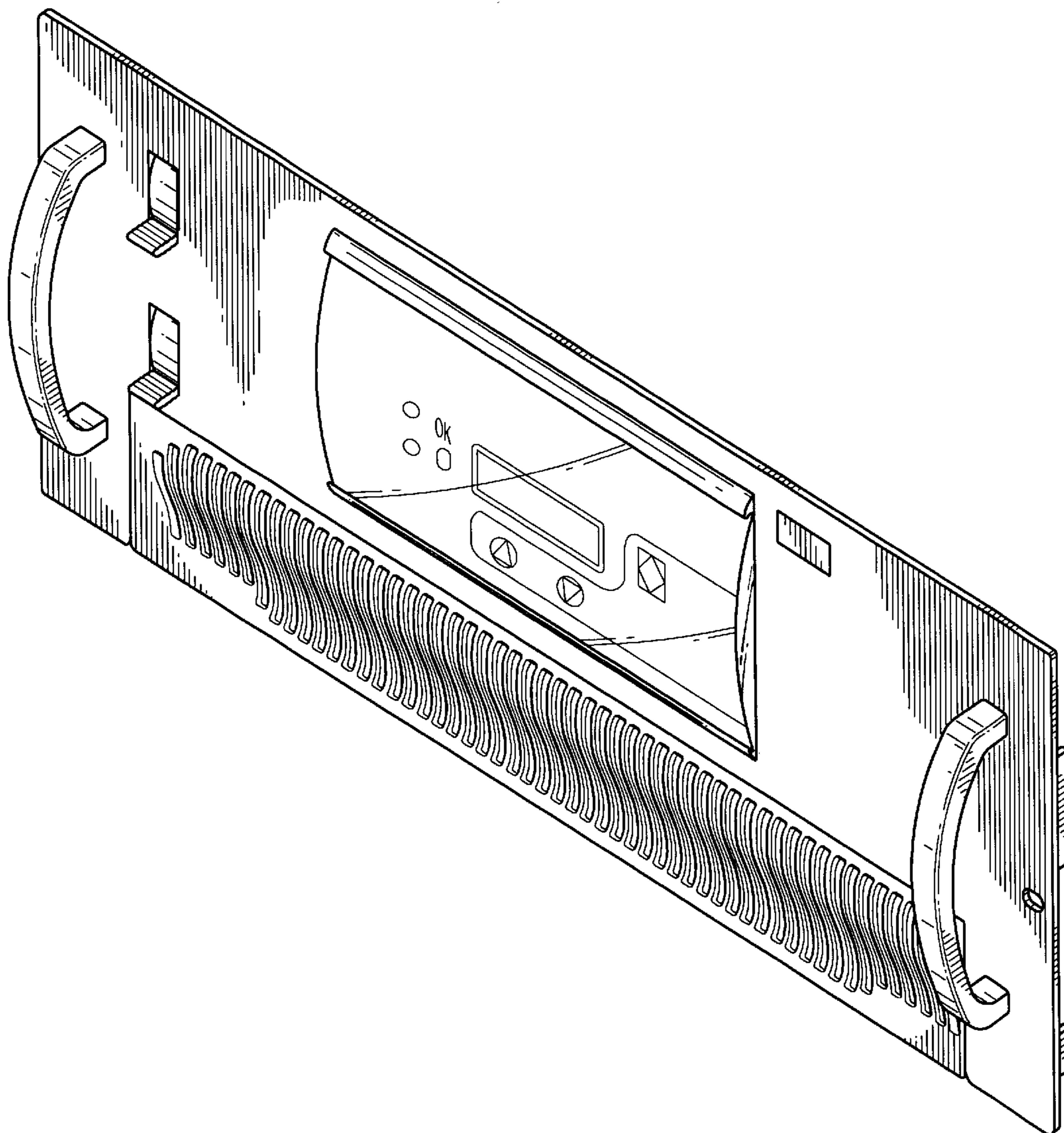
FIG. 1 is a perspective view of the present invention, showing the new design for a power supply panel; FIG. 2 is a front view of the power supply panel; FIG. 3 is a rear view of the power supply panel; FIG. 4 is a left side view of the power supply panel; FIG. 5 is a right side view of the power supply panel; FIG. 6 is a top view of the power supply panel; and, FIG. 7 is a bottom view of the power supply panel.

[56] **References Cited**

U.S. PATENT DOCUMENTS

D. 211,948 8/1968 Worrall D13/177
D. 359,496 6/1995 Hirsbrunner et al. D13/177

1 Claim, 4 Drawing Sheets



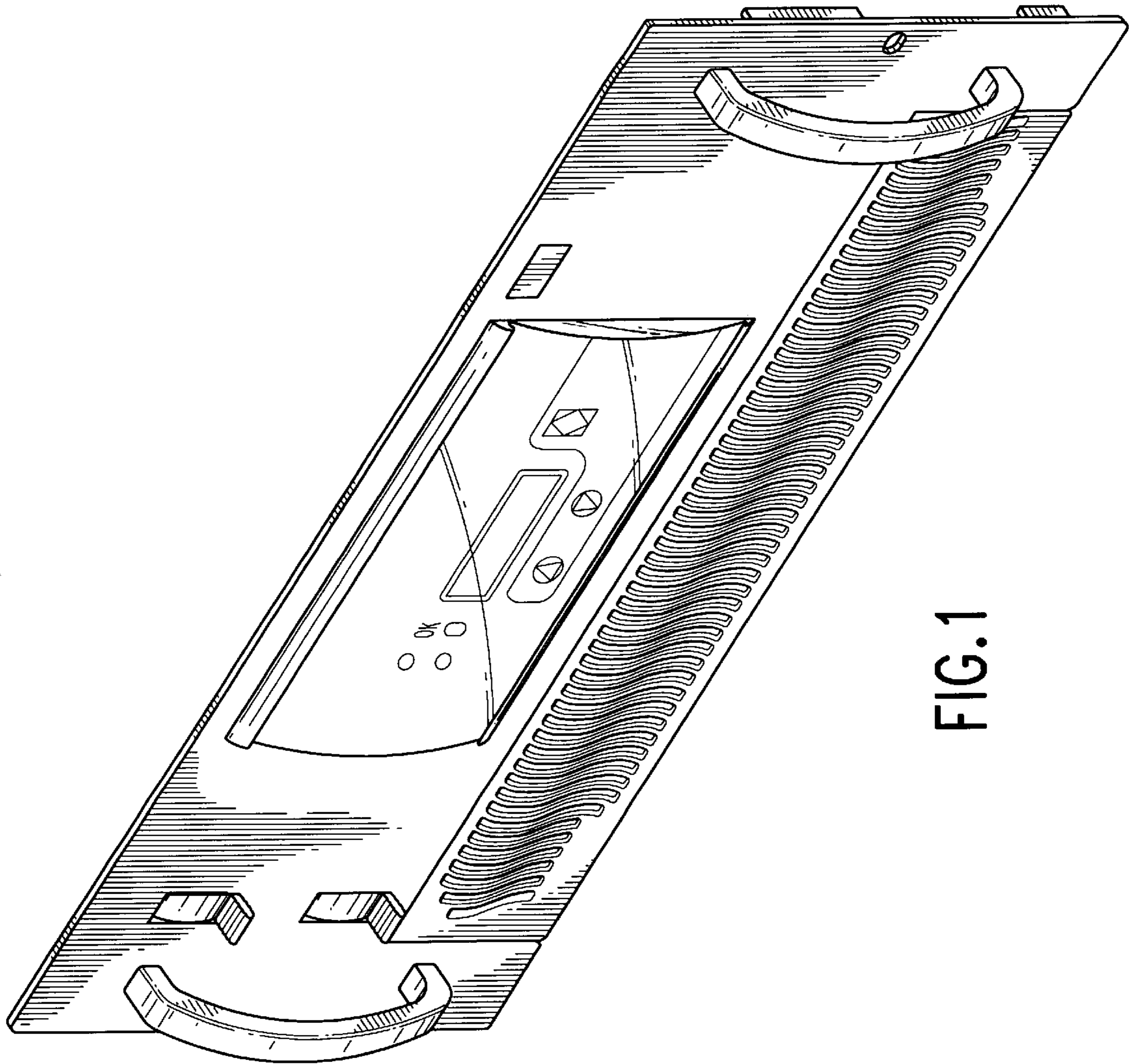


FIG. 1

FIG. 2

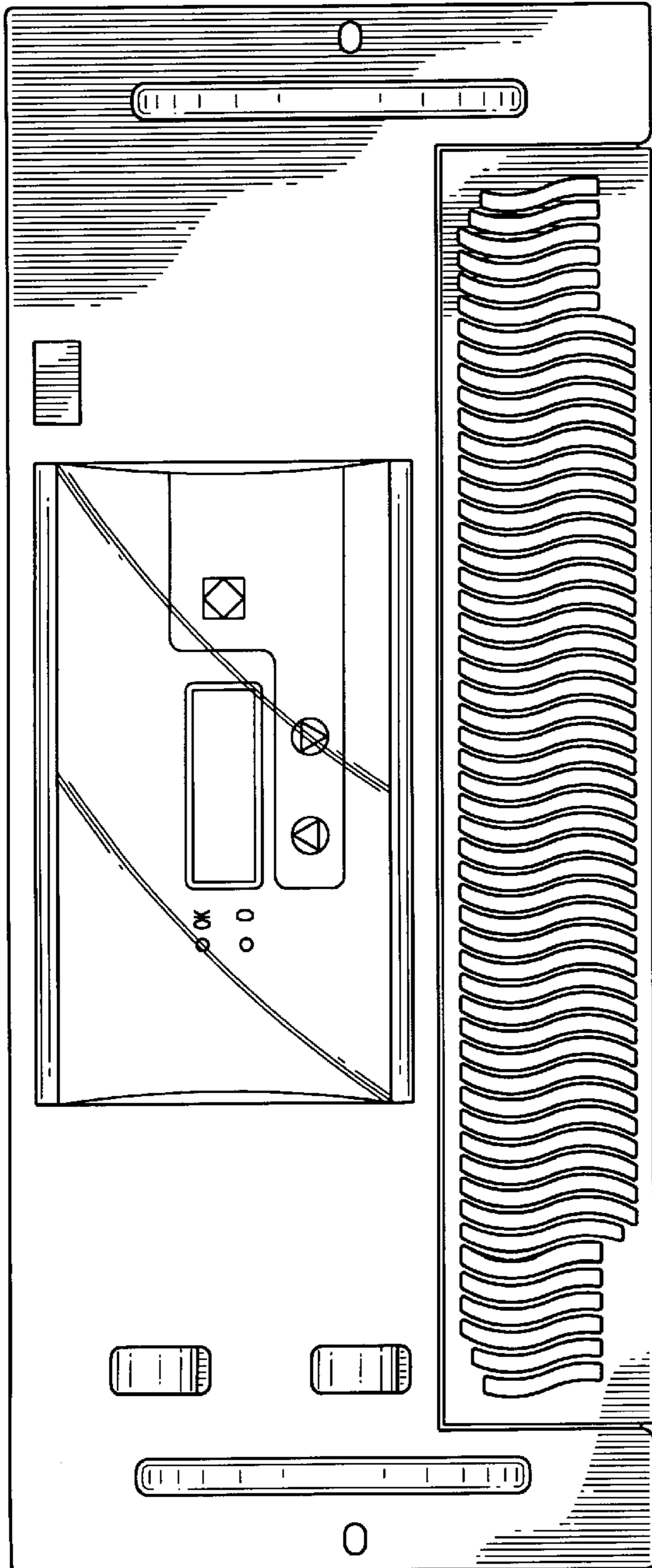
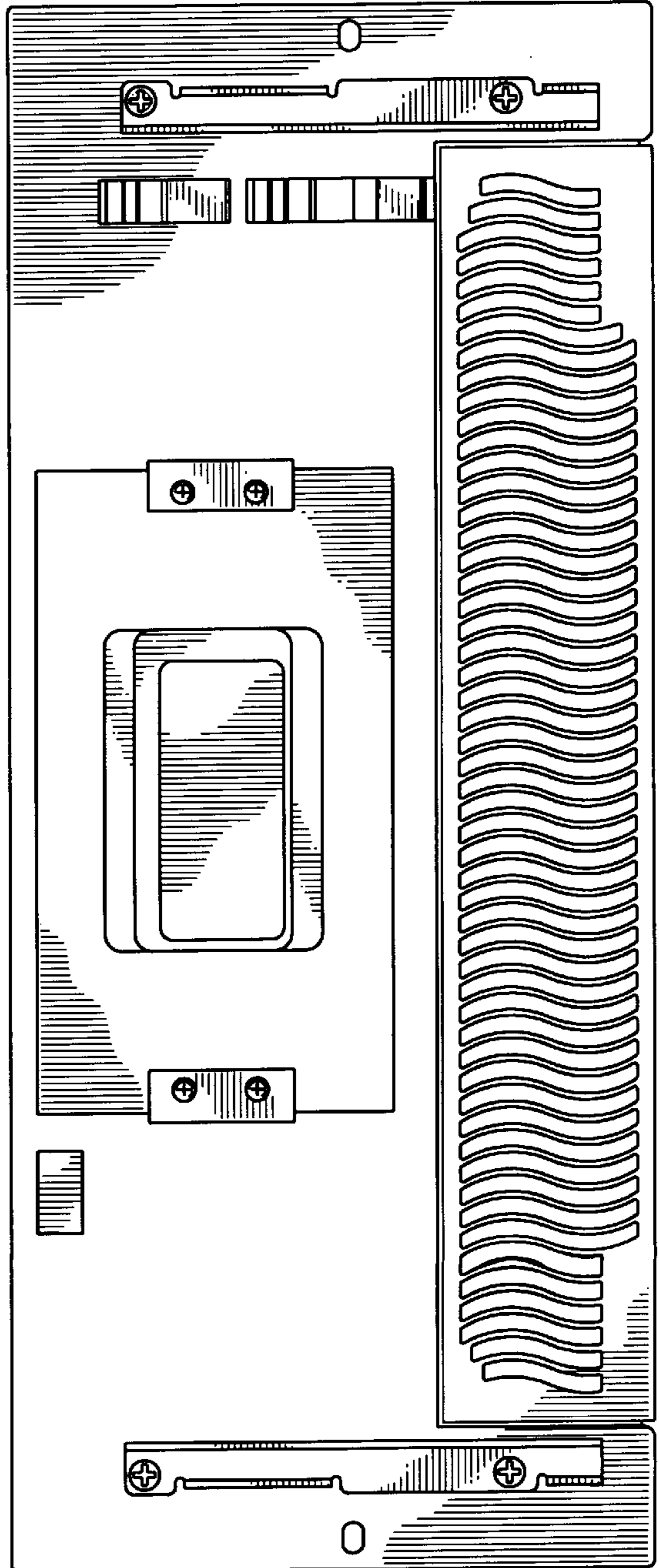


FIG. 3



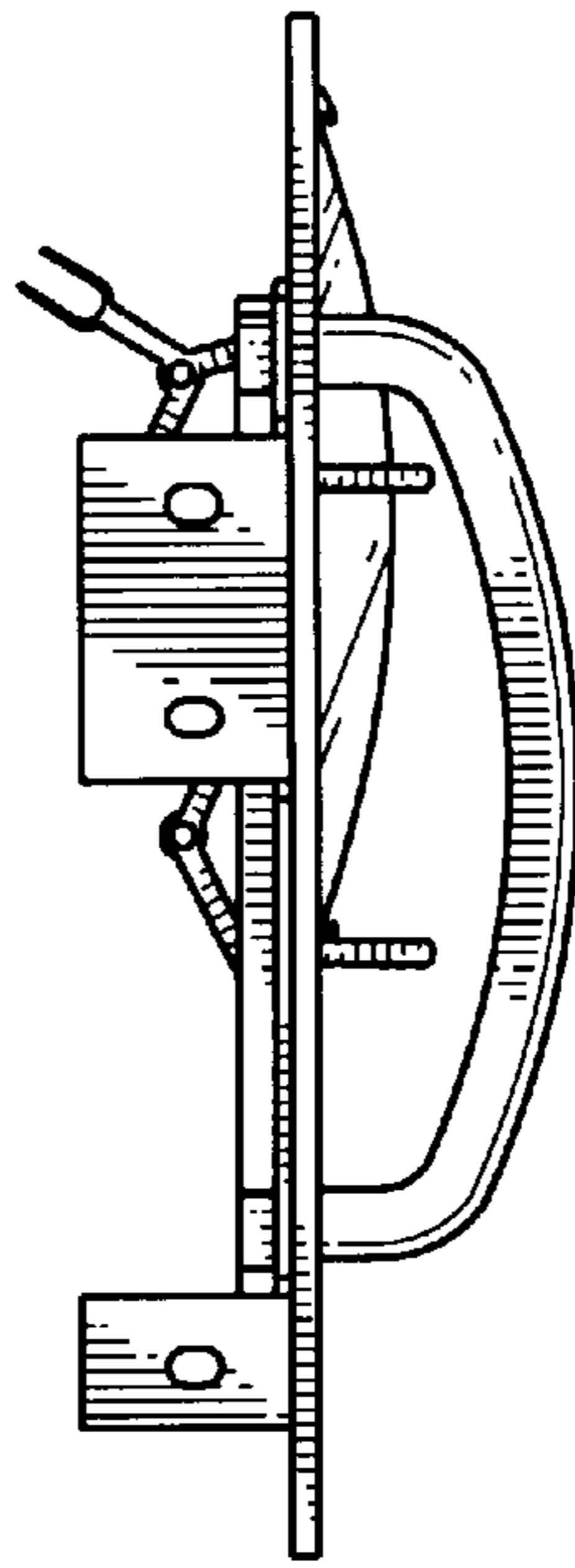


FIG. 4

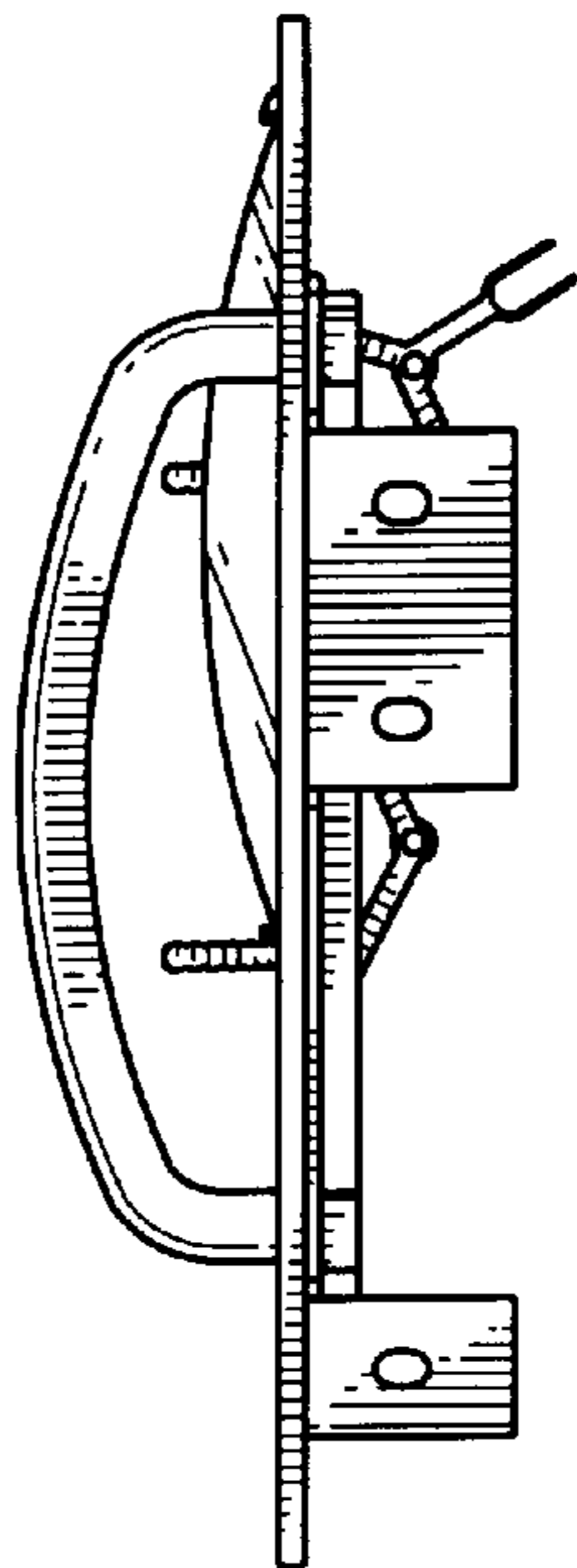


FIG. 5

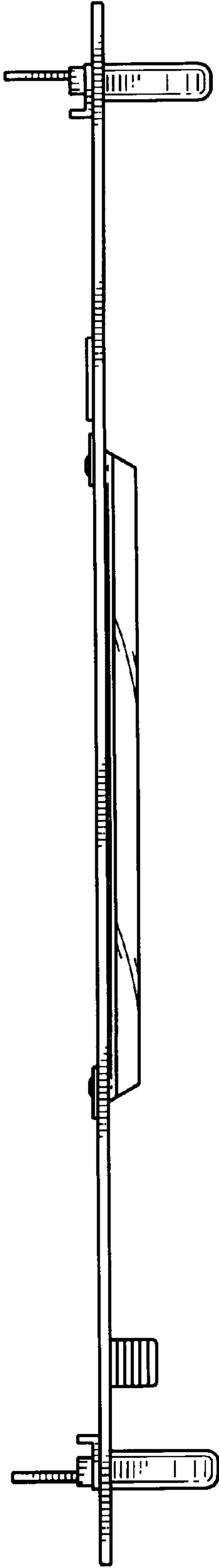


FIG. 6

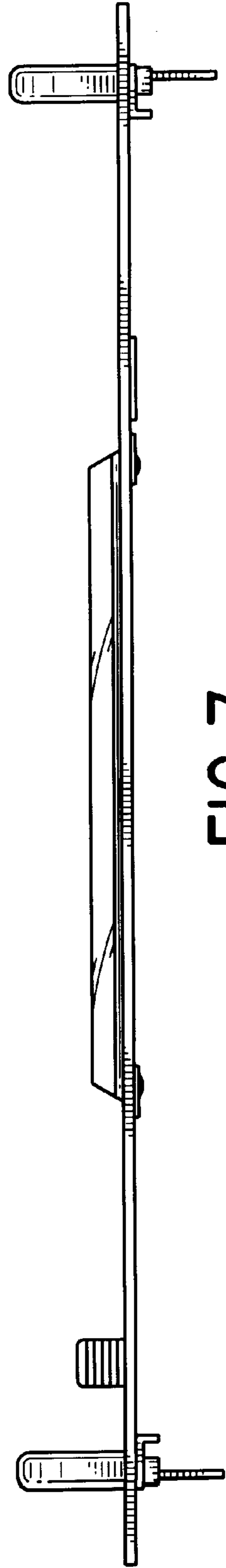


FIG. 7

UNITED STATES PATENT AND TRADEMARK OFFICE
CERTIFICATE OF CORRECTION

PATENT NO. : Des. 424,526 S
DATED : May 9, 2000
INVENTOR(S) : Ming-Hsiu Yang

Page 1 of 1

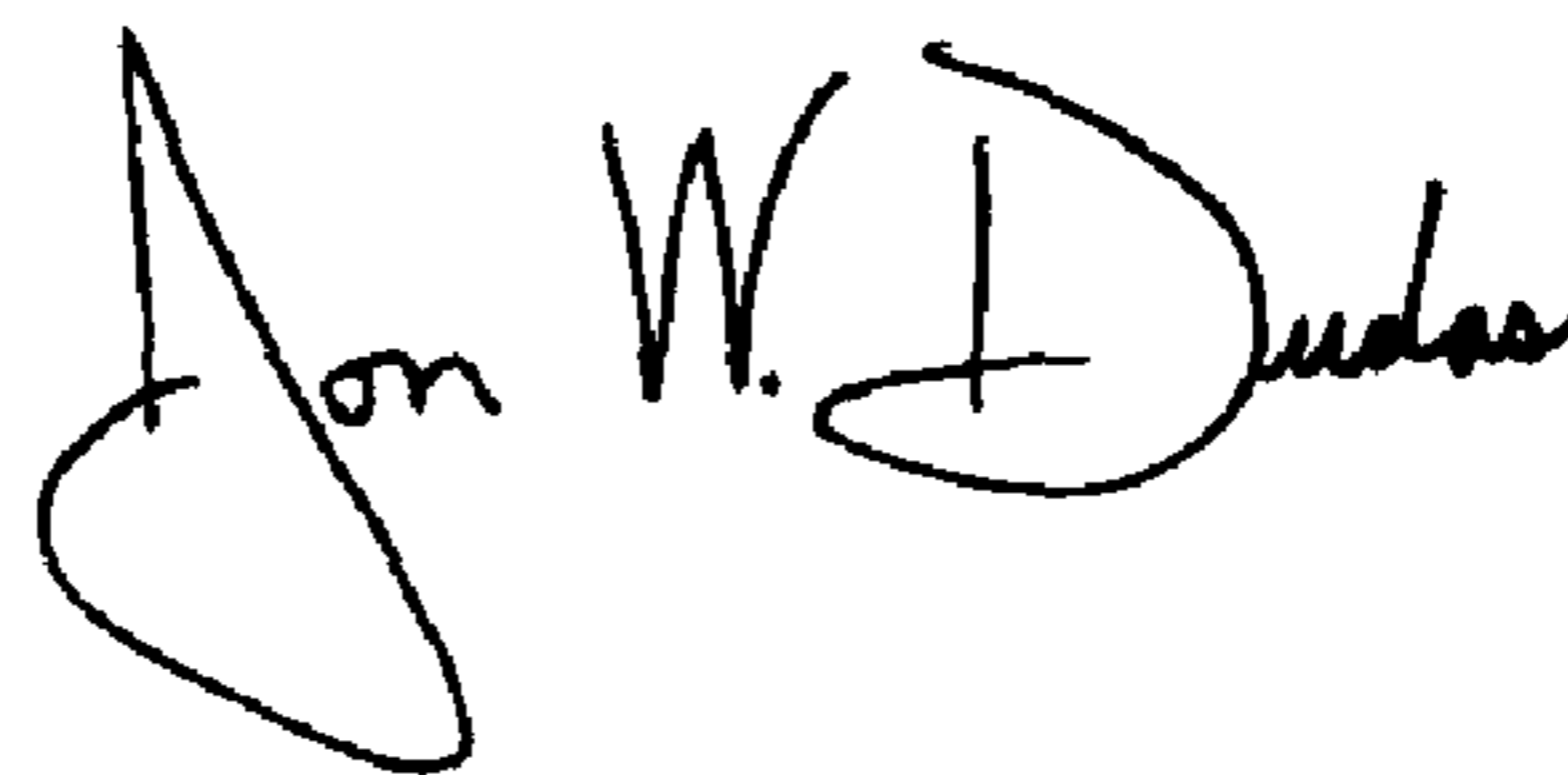
It is certified that error appears in the above-identified patent and that said Letters Patent is hereby corrected as shown below:

Title page.

Insert Item -- [73] Assignee: **ACBEL POLYTECH INC.**, Taipei, Taiwan --.

Signed and Sealed this

Seventeenth Day of August, 2004

A handwritten signature in black ink that reads "Jon W. Dudas". The signature is written in a cursive style with a large, looped initial "J".

JON W. DUDAS

Acting Director of the United States Patent and Trademark Office