



US00D424524S

United States Patent [19]
Guercio

[11] **Patent Number: Des. 424,524**

[45] **Date of Patent: ** May 9, 2000**

[54] **UTILITY SUPPORT POST FOR ELECTRICAL EQUIPMENT**

4,852,512 8/1989 Klatt 116/209
5,518,218 5/1996 Leonard 248/530
5,535,978 7/1996 Rodriguez et al. 248/530

[76] Inventor: **Vincenzo Guercio**, 21 Equestrian Dr., Wallkill, N.Y. 12589

Primary Examiner—Joel Sincavage
Attorney, Agent, or Firm—Thomas A. Beck; Baker & Rannells

[**] Term: **14 Years**

[21] Appl. No.: **29/088,514**

[57] **CLAIM**

[22] Filed: **May 26, 1998**

The ornamental design for a utility support post for electrical equipment, as shown and described.

[51] **LOC (7) Cl.** **13-03**

DESCRIPTION

[52] **U.S. Cl.** **D13/154**

[58] **Field of Search** D13/154; D8/349; 248/156, 508, 530, 532; 52/153, 154, 155, 158, 736.1

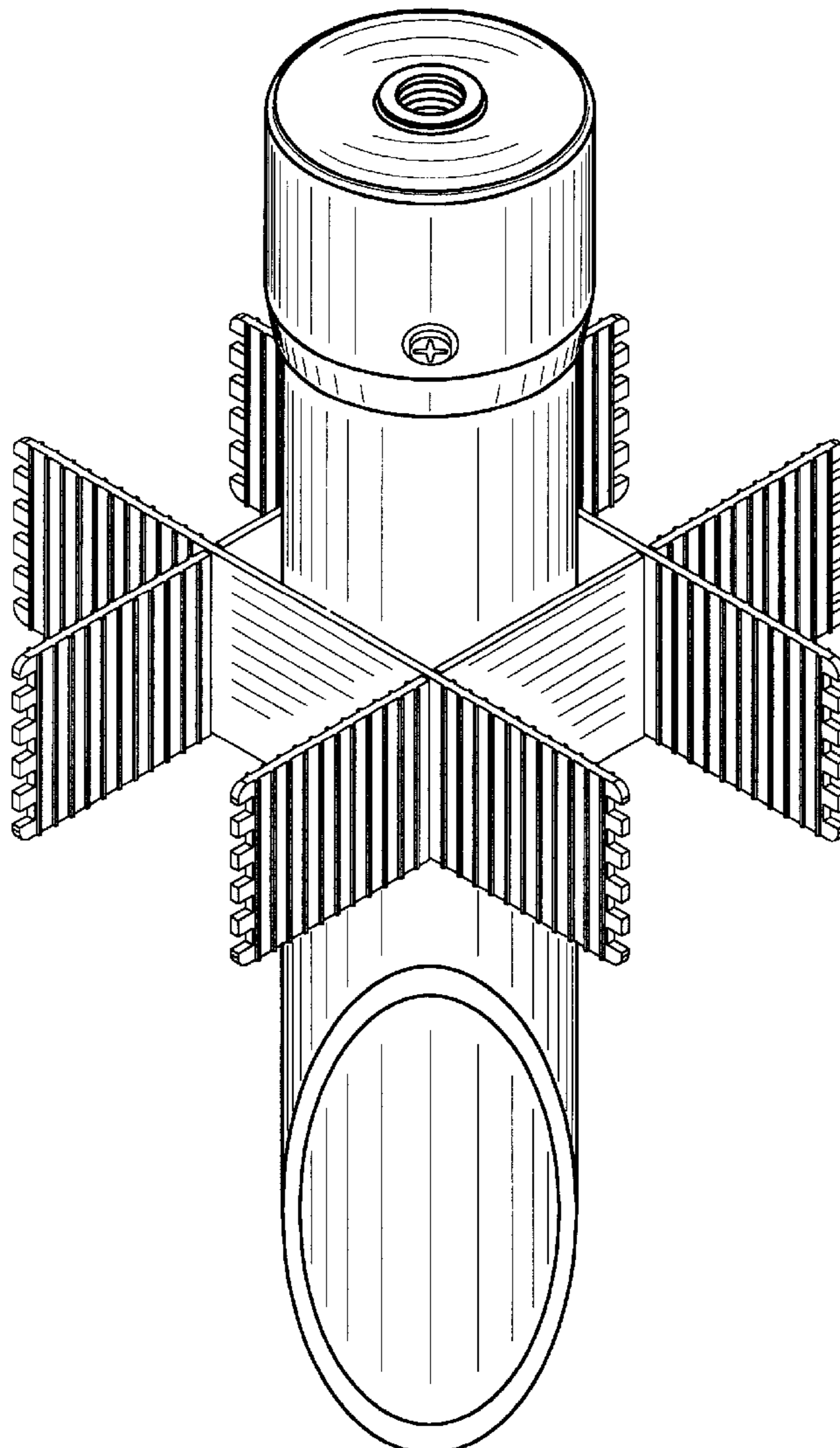
FIG. 1 is a isometric view of the utility support post for electrical equipment incorporating my new design; FIG. 2 is a front elevational view thereof; FIG. 3 is a bottom plan view thereof; FIG. 4 is a top plan view thereof; FIG. 5 is a rear elevational view thereof; FIG. 6 is a left side elevational view thereof; and, FIG. 7 is a cross-sectional view taken along 7—7 of FIG. 3.

[56] **References Cited**

U.S. PATENT DOCUMENTS

D. 400,079 10/1998 Chase D8/349
3,876,970 4/1975 Schweitzer 362/205
4,765,277 8/1988 Bailey et al. 119/57.9

1 Claim, 3 Drawing Sheets



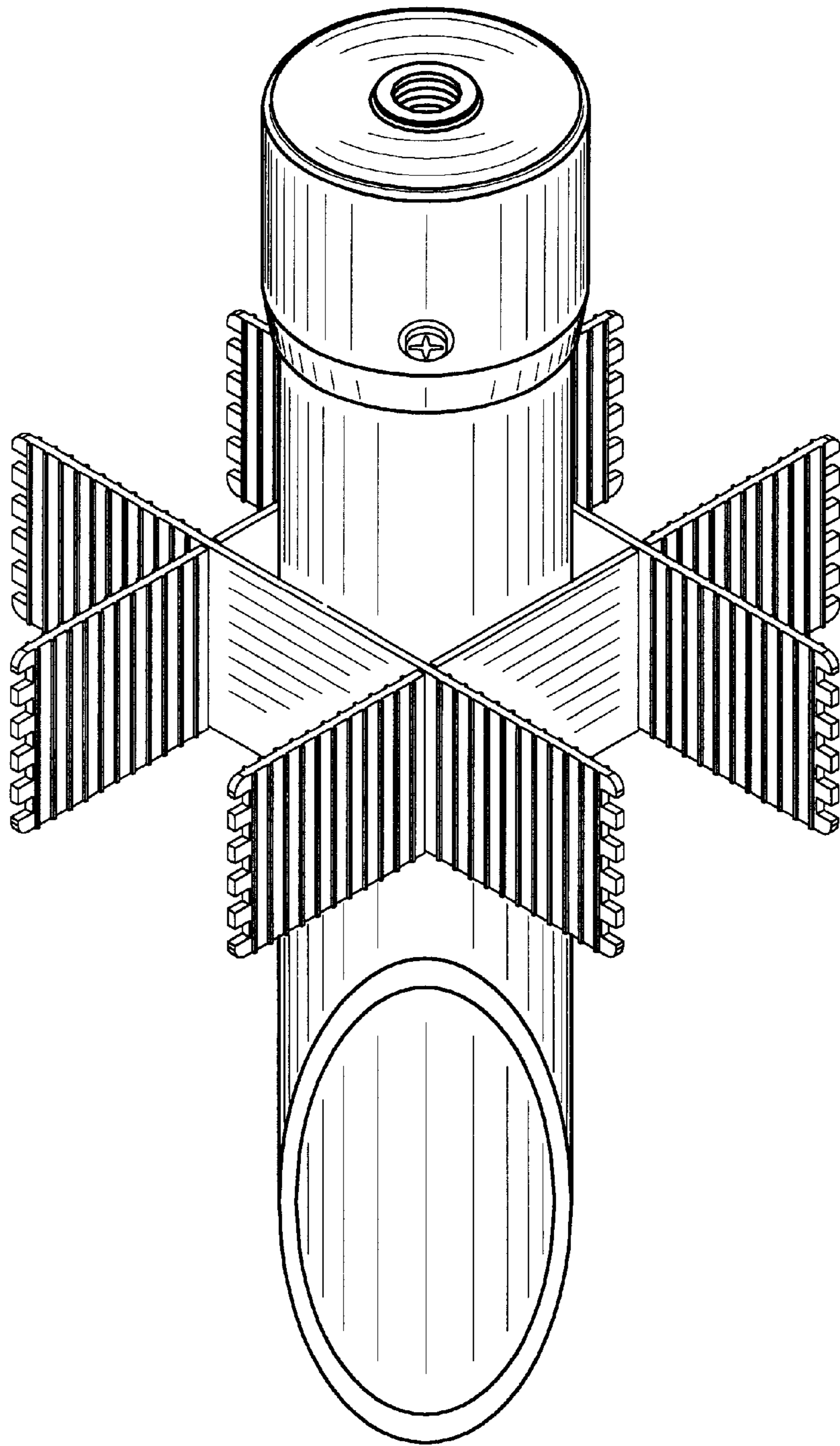


Fig. 1

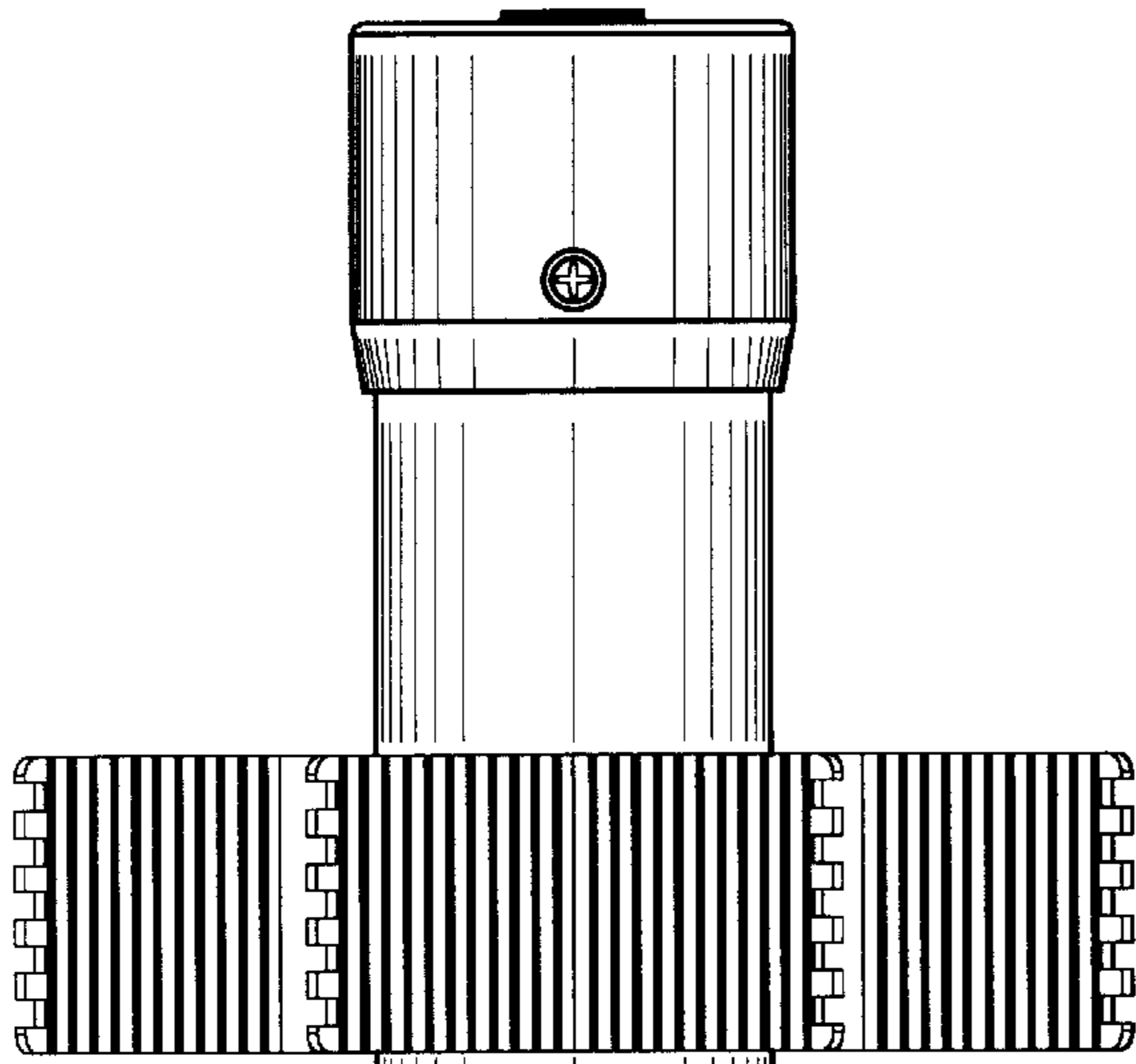


Fig. 2

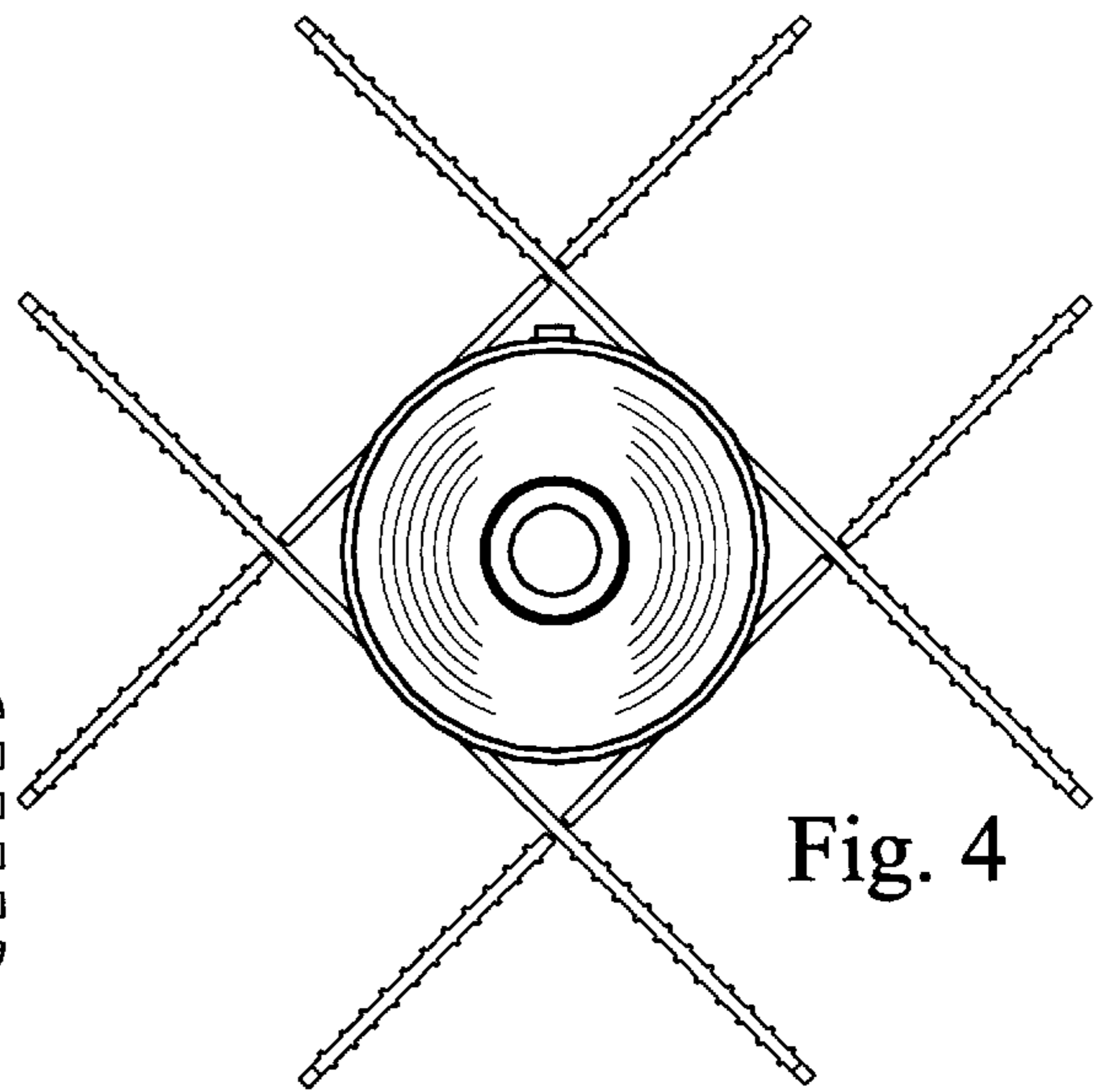


Fig. 4

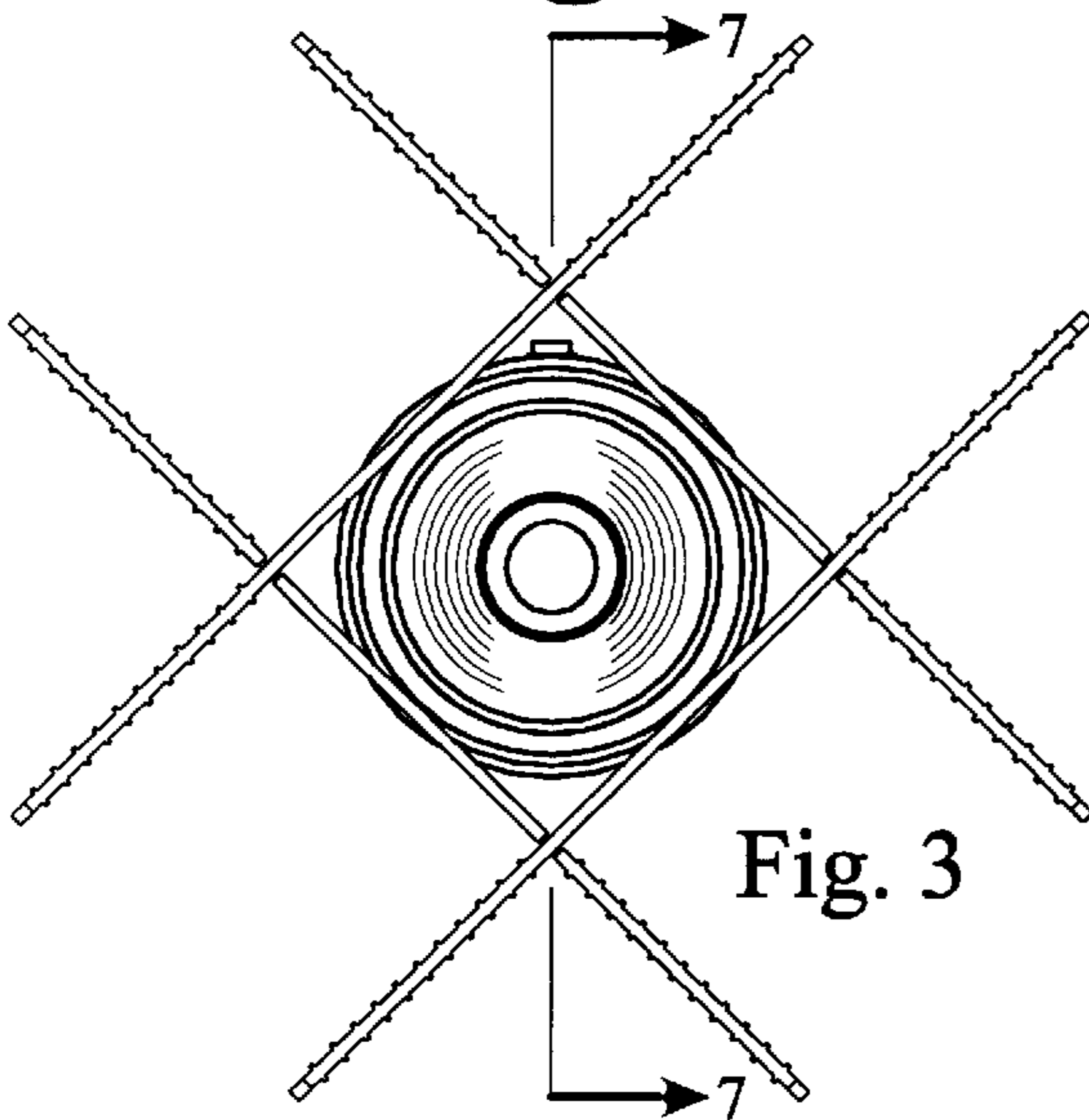


Fig. 3

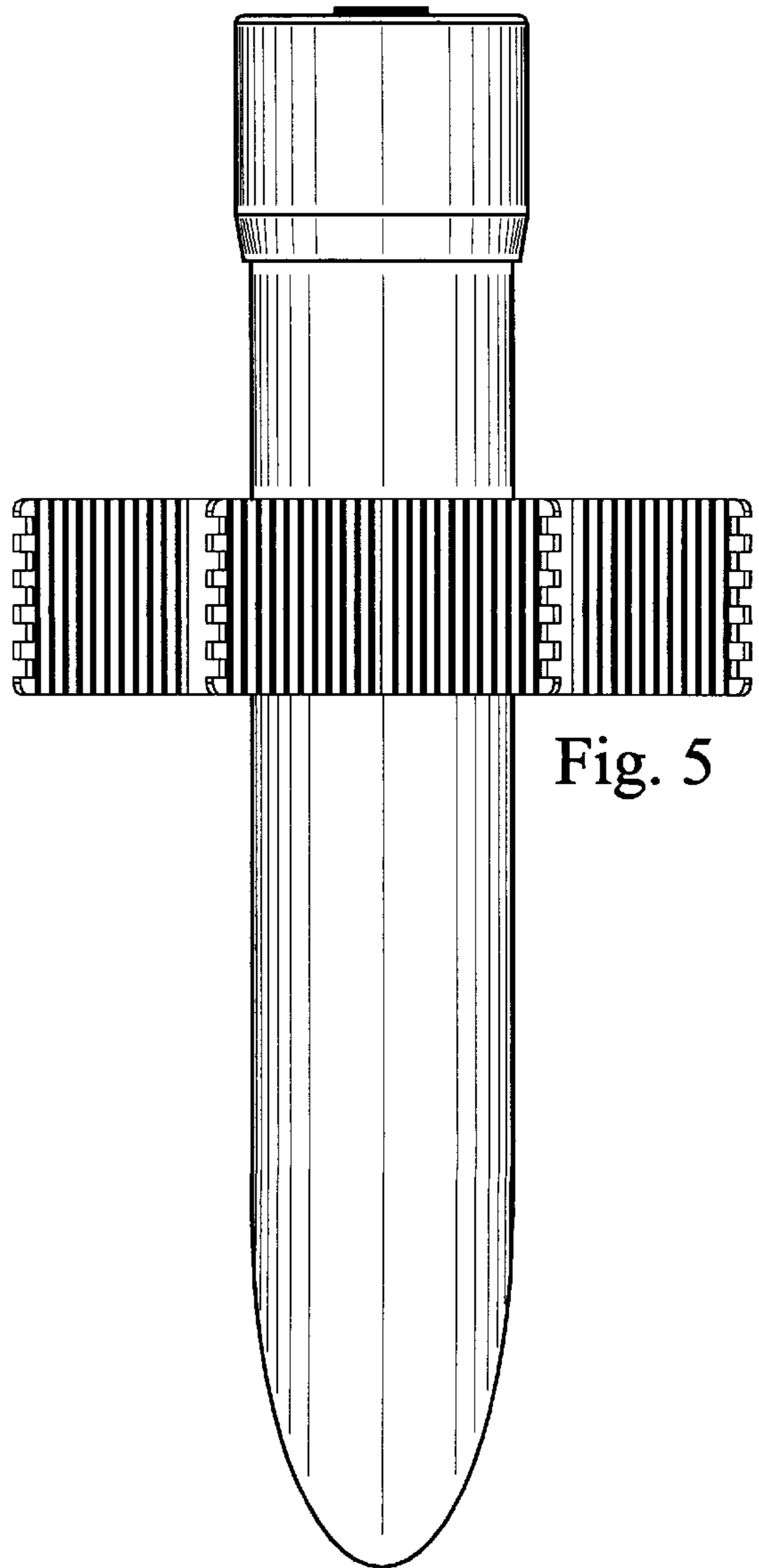


Fig. 5

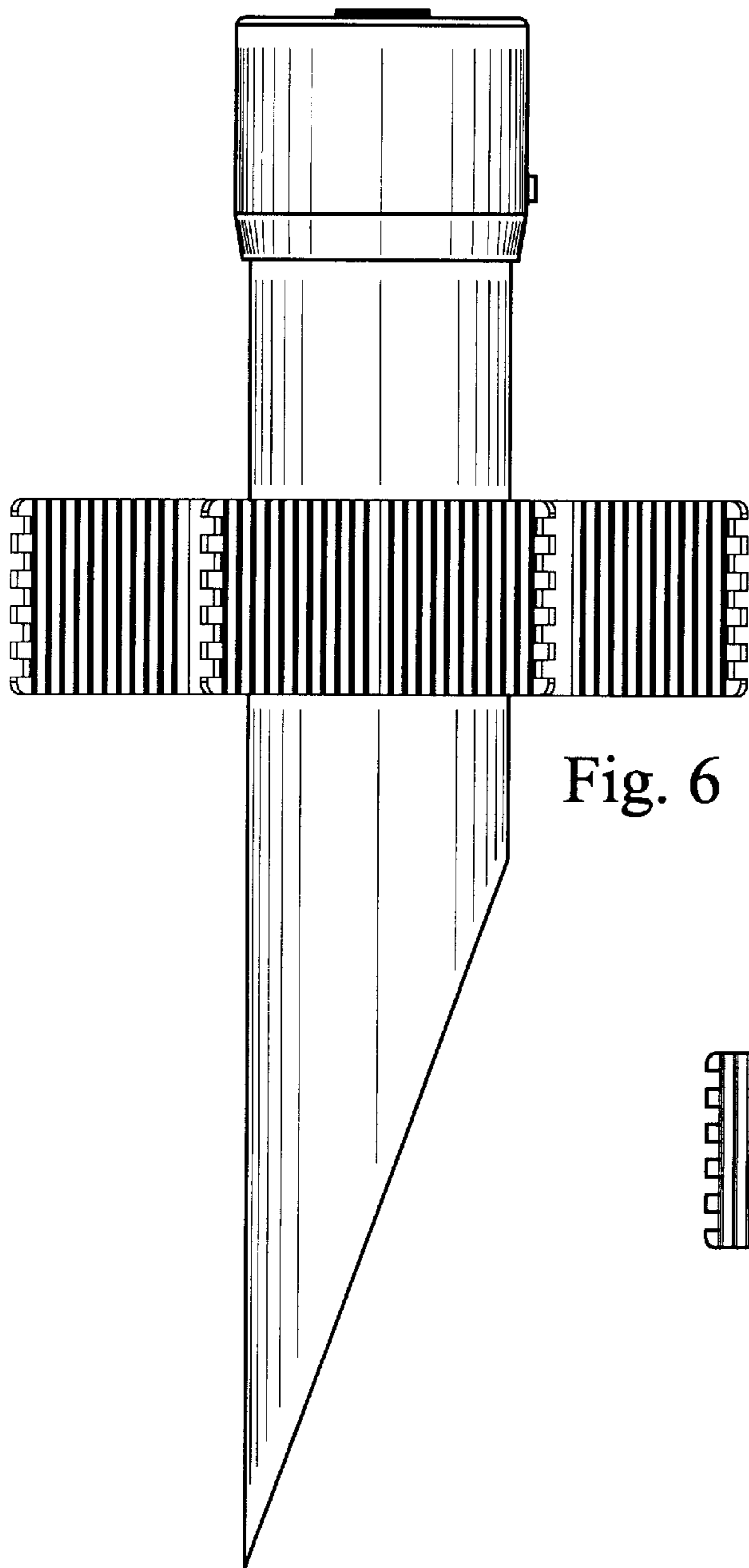


Fig. 6

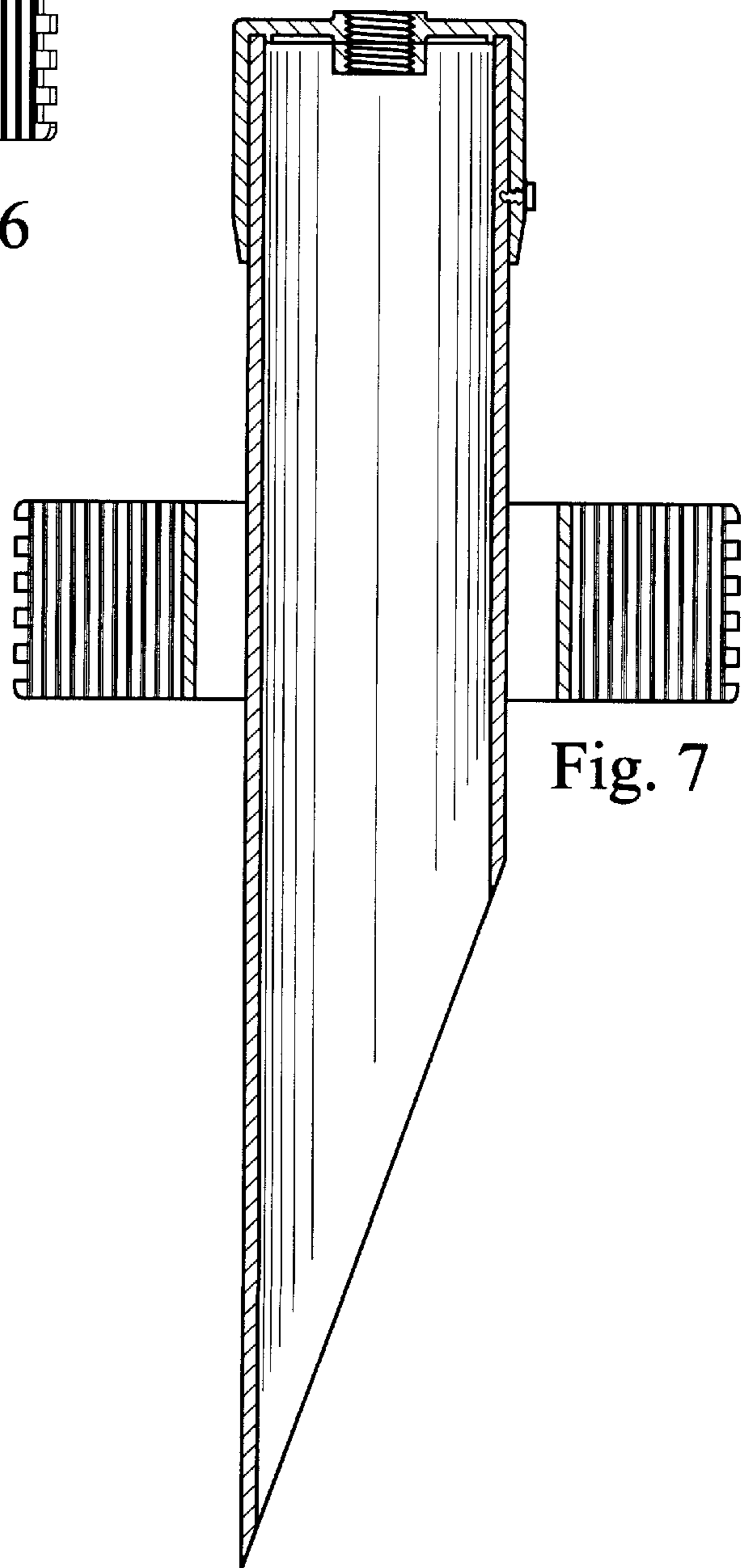


Fig. 7