



US00D424523S

**United States Patent** [19]  
**Hughes**

[11] **Patent Number: Des. 424,523**

[45] **Date of Patent: \*\* May 9, 2000**

[54] **BROADBAND NETWORK TAP**

5,939,672 8/1999 Tang ..... 174/50.5

[75] Inventor: **Jeffrey P. Hughes**, Lawrenceville, Ga.

*Primary Examiner*—Joel Sincavage

[73] Assignee: **Scientific-Atlanta, Inc.**, Norcross, Ga.

*Attorney, Agent, or Firm*—Kenneth M. Massaroni; Kelly A. Gardner; Hubert J. Barnhardt, III

[\*\*] Term: **14 Years**

[57] **CLAIM**

[21] Appl. No.: **29/111,843**

The ornamental design for a broadband network tap, as shown and described.

[22] Filed: **Oct. 5, 1999**

**DESCRIPTION**

[51] **LOC (7) Cl.** ..... **13-03**

[52] **U.S. Cl.** ..... **D13/147; D13/152**

[58] **Field of Search** ..... D13/146, 147,  
D13/152; 439/108; 174/50.51, 52.1

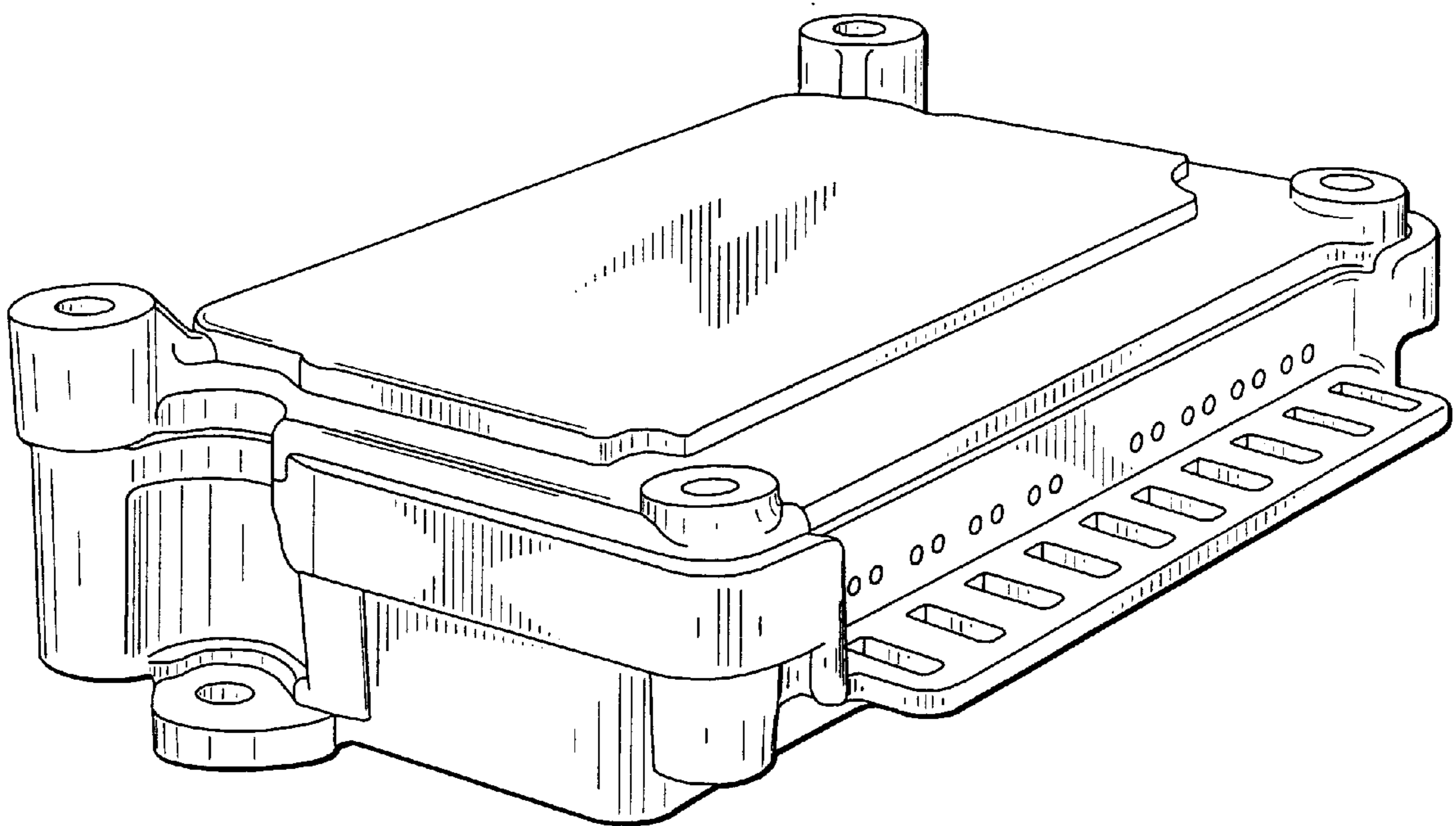
FIG. 1 is a top front right perspective view of a broadband network tap in accordance with the instant invention; FIG. 2 is a front plan view thereof; FIG. 3 is a right side view thereof; FIG. 4 is a left side view thereof; FIG. 5 is a back view thereof; FIG. 6 is a top plan view thereof; and, FIG. 7 is a bottom plan view thereof.

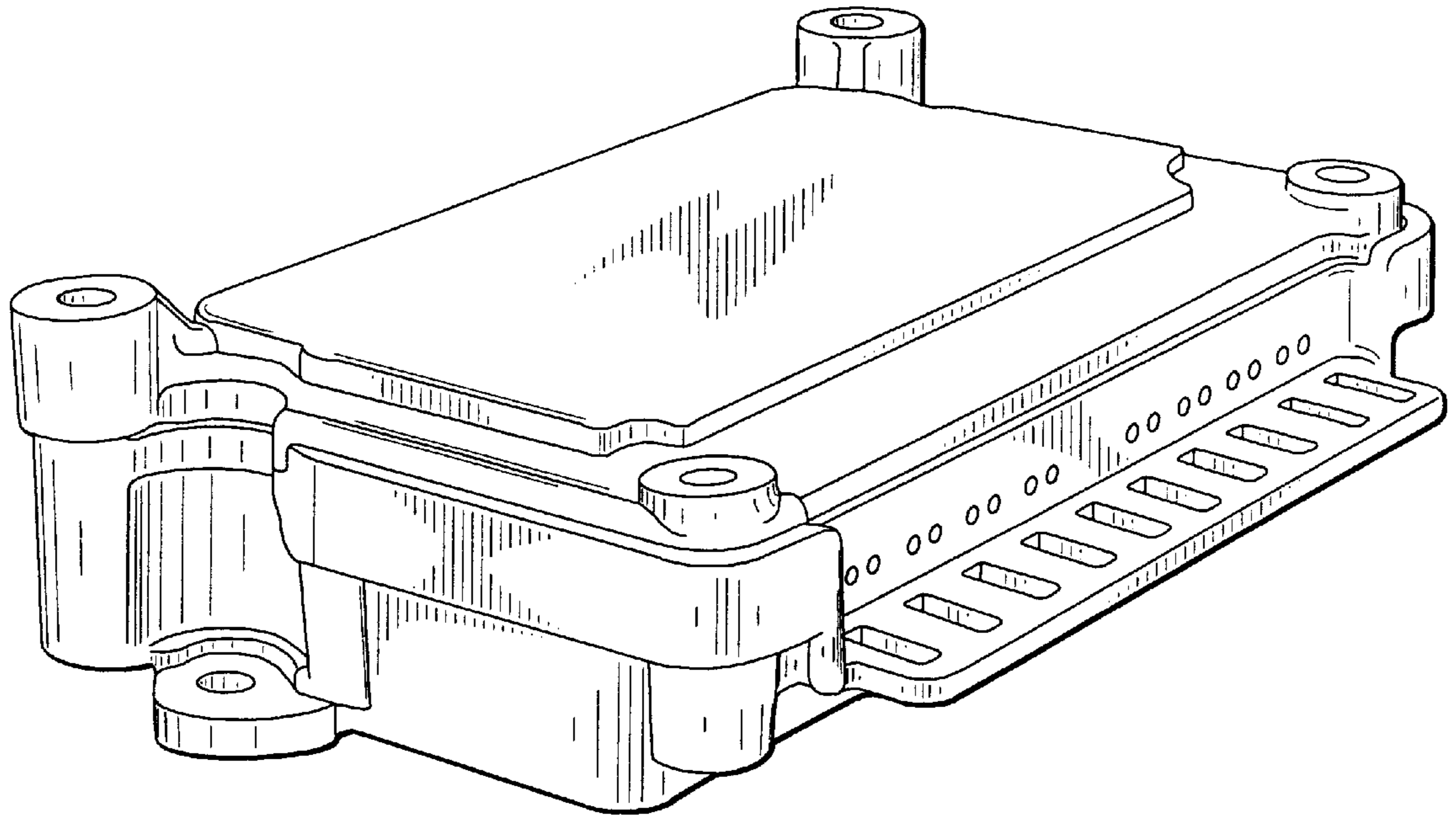
[56] **References Cited**

**U.S. PATENT DOCUMENTS**

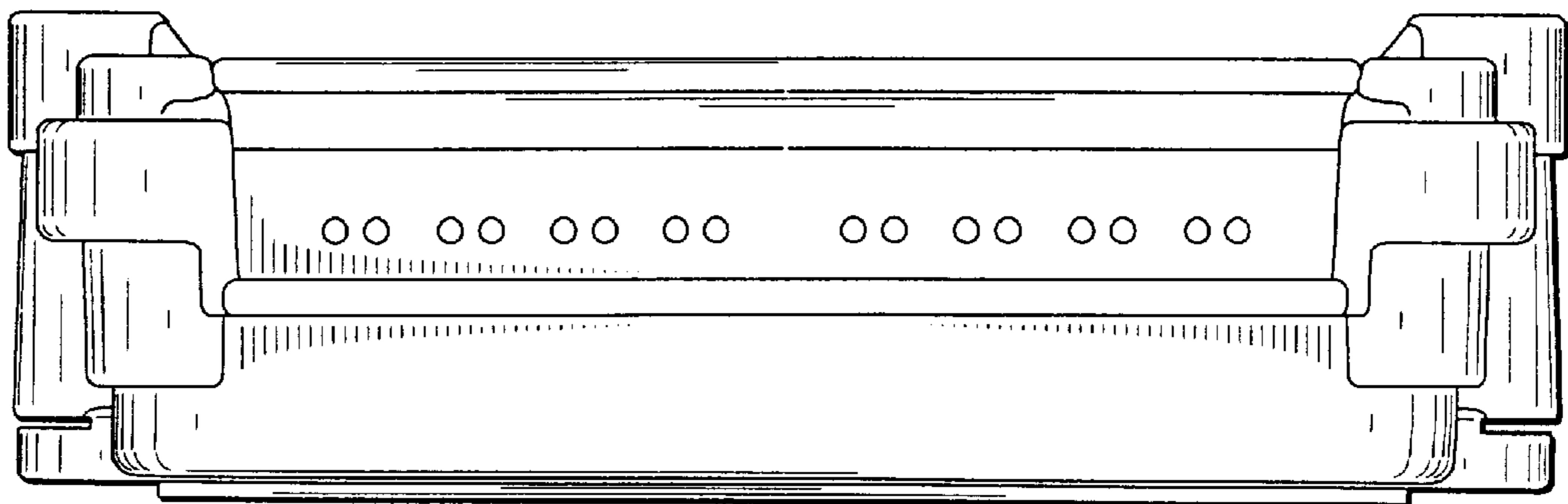
D. 408,363	4/1999	Hsiang	.....	D13/151
4,531,791	7/1985	Bauchet	.....	439/108
4,793,823	12/1988	Cozzens et al.	.....	439/409

**1 Claim, 3 Drawing Sheets**

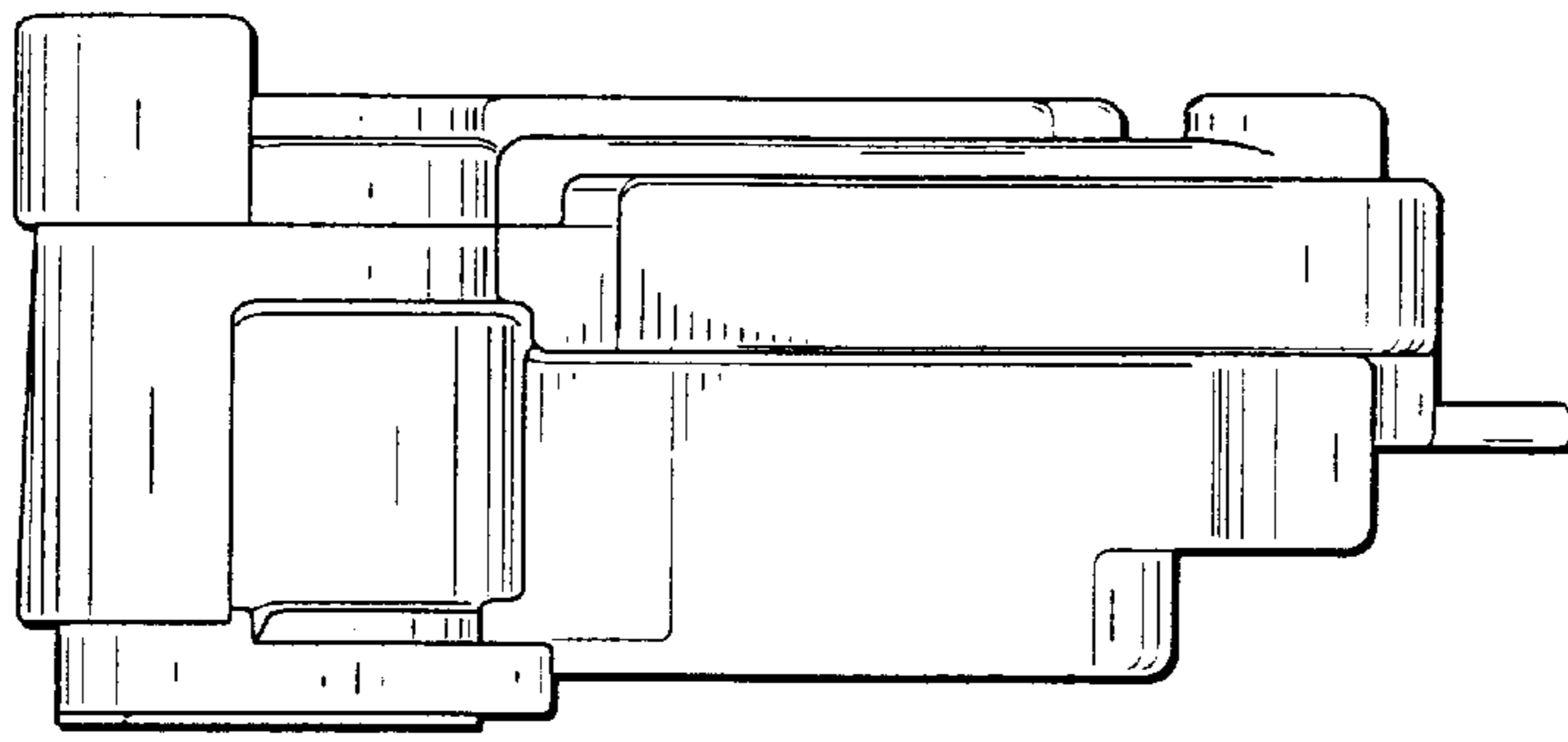




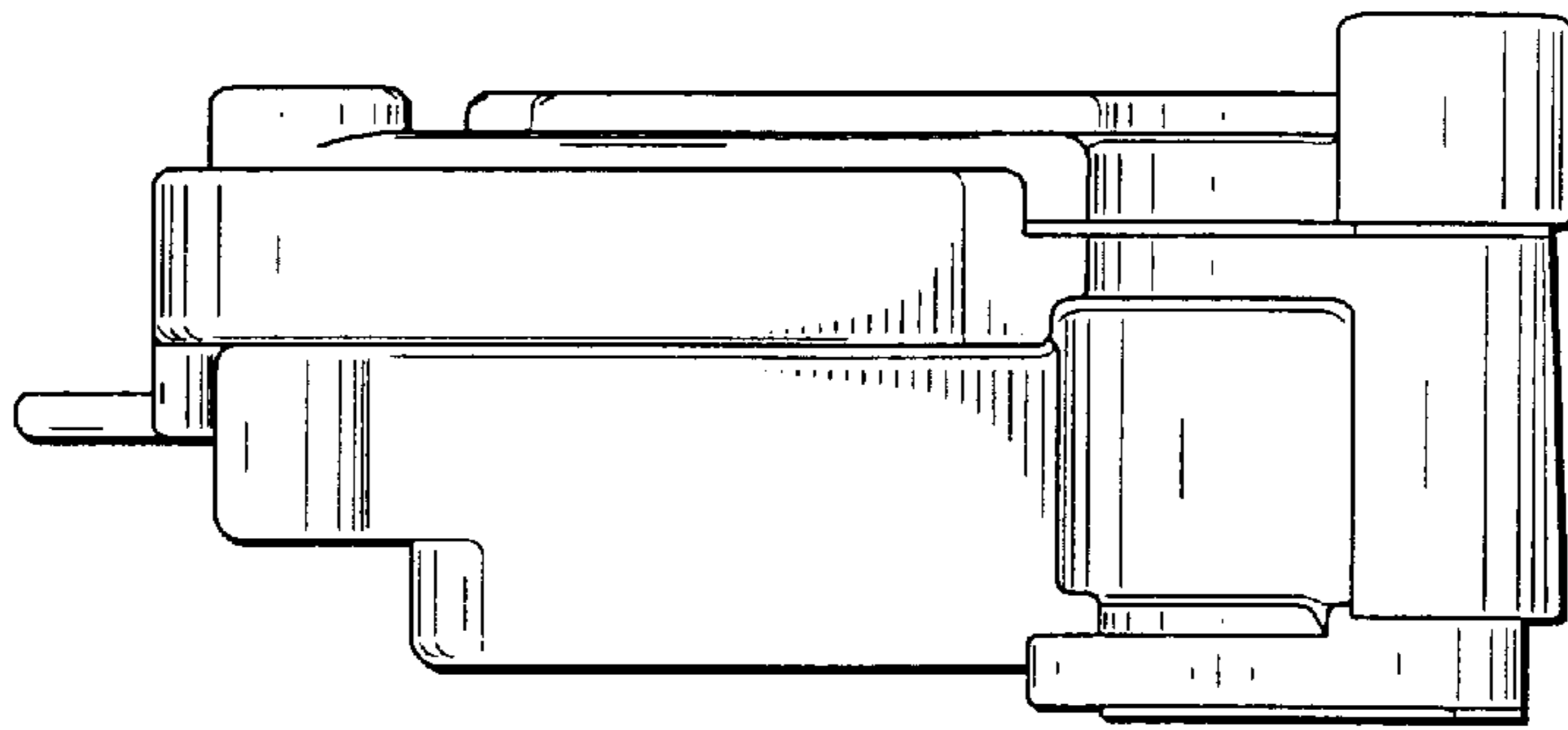
**FIG. 1**



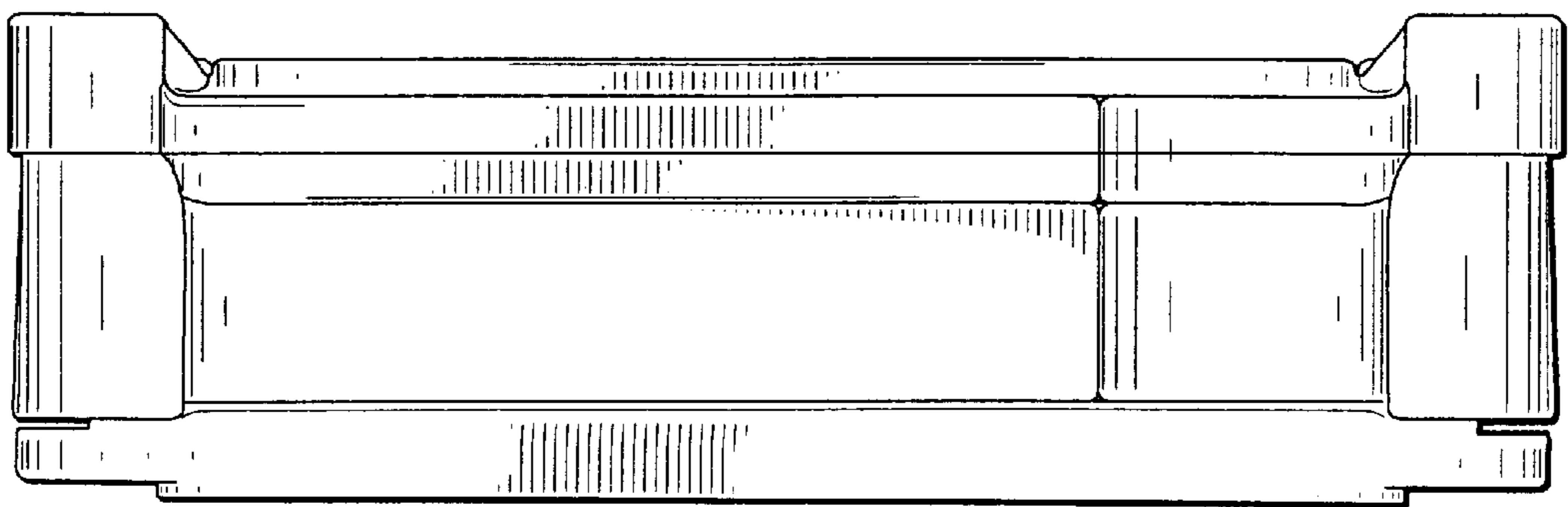
**FIG. 2**



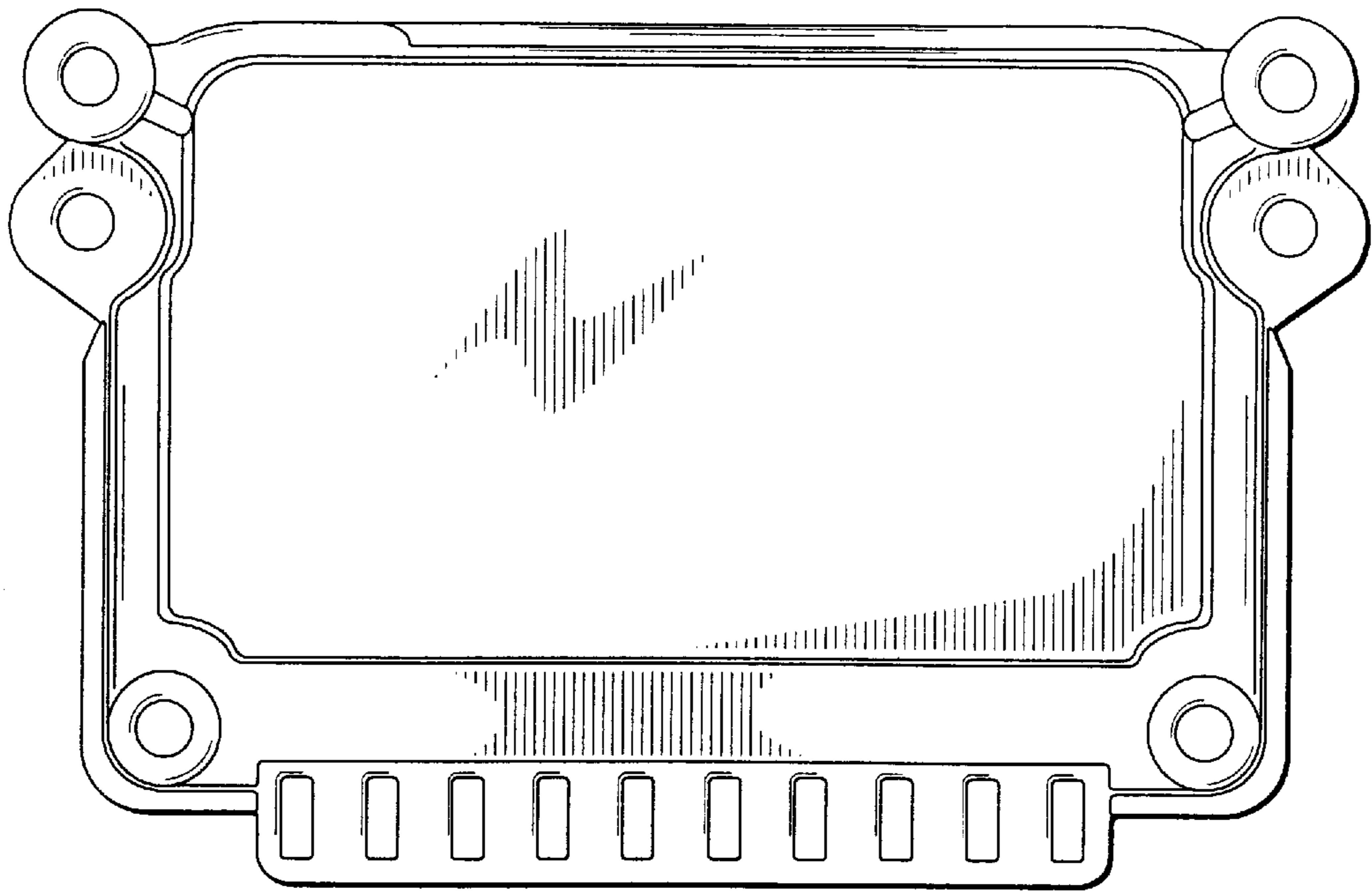
**FIG. 3**



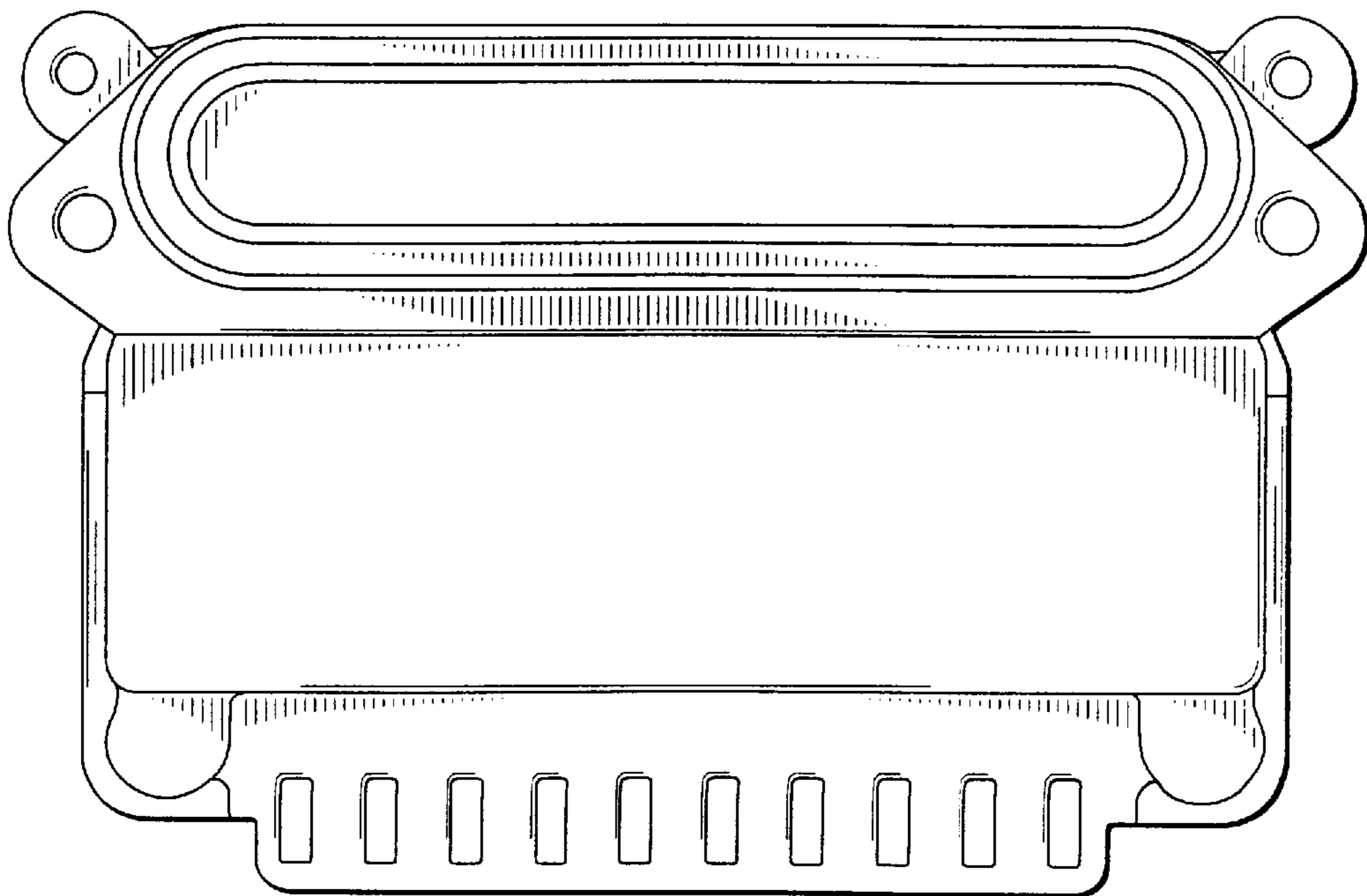
**FIG. 4**



**FIG. 5**



**FIG. 6**



**FIG. 7**