



US00D424522S

United States Patent [19]

Nishio et al.

[11] Patent Number: **Des. 424,522**

[45] Date of Patent: **** May 9, 2000**

[54] **ELECTRIC CONNECTOR**

[75] Inventors: **Atsushi Nishio**, Ibaraki-Ken; **Katsuhiro Hori**, Mito, both of Japan

[73] Assignee: **Mitsumi Electric Co., Ltd.**, Japan

[**] Term: **14 Years**

[21] Appl. No.: **29/106,473**

[22] Filed: **Jun. 16, 1999**

[30] Foreign Application Priority Data

Dec. 18, 1998 [JP] Japan 10-36563

[51] **LOC (7) Cl.** **13-03**

[52] **U.S. Cl.** **D13/147**

[58] **Field of Search** D13/146, 147;
439/352, 358, 607, 610, 680

[56] References Cited

U.S. PATENT DOCUMENTS

D. 378,209 2/1997 Morikawa et al. D13/147

4,990,103	2/1991	Sazaki et al.	D13/146 X
5,267,882	12/1993	Davis	439/680
5,397,246	3/1995	Defibaugh et al.	439/352
5,425,657	6/1995	Davis et al.	439/610
5,518,421	5/1996	Davis	439/607
5,944,559	8/1999	Wu	439/607

Primary Examiner—Joel Sincavage
Attorney, Agent, or Firm—Morrison Law Firm

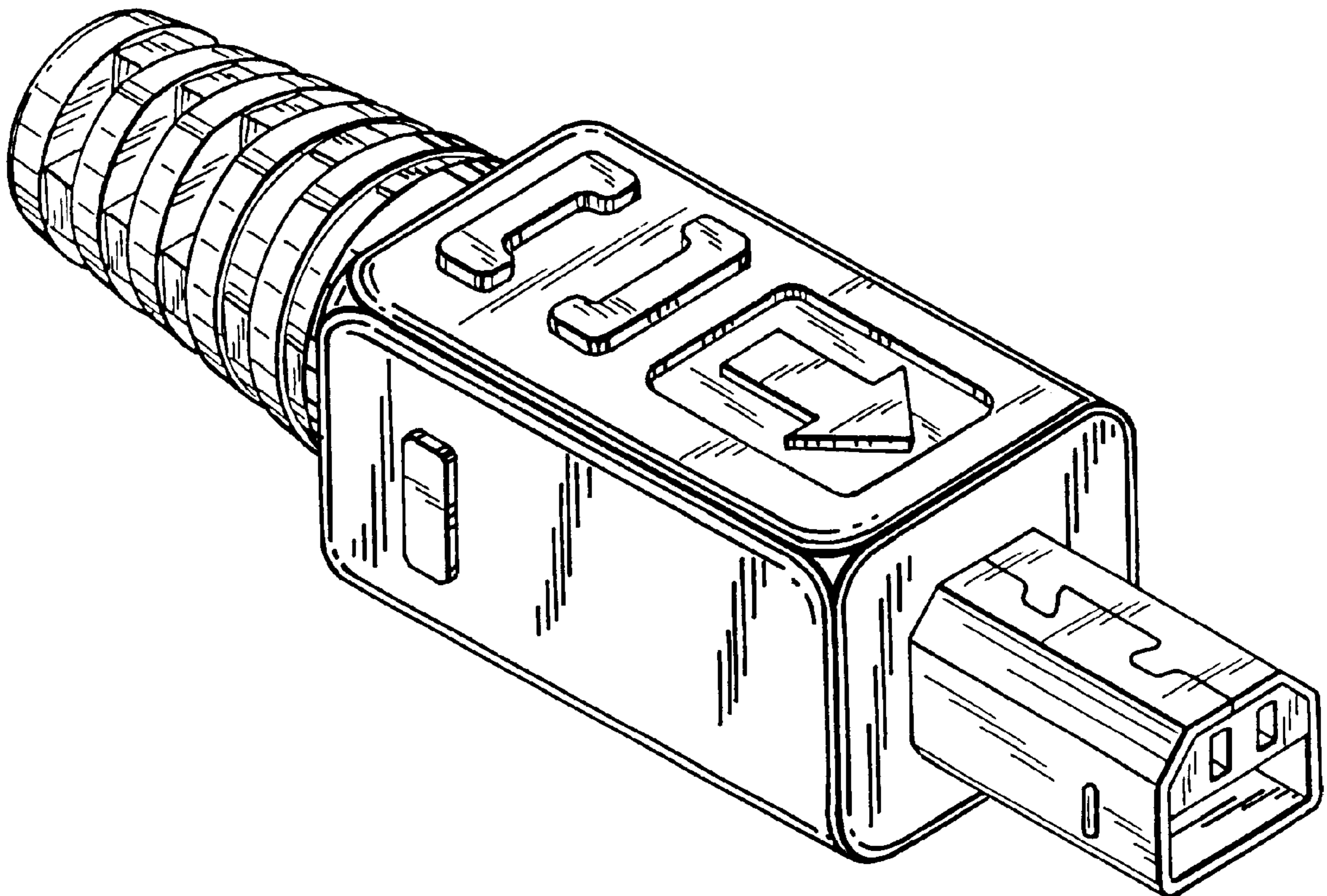
[57] CLAIM

The ornamental design for a electric connector, as shown and described.

DESCRIPTION

FIG. 1 is a top, front, left side perspective view of an electric connector showing our design;
FIG. 2 is a top plan view thereof;
FIG. 3 is a front elevational view thereof;
FIG. 4 is a right side elevational view thereof, the left side being a mirror image;
FIG. 5 is a rear elevational view thereof; and,
FIG. 6 bottom plan view thereof.

1 Claim, 3 Drawing Sheets



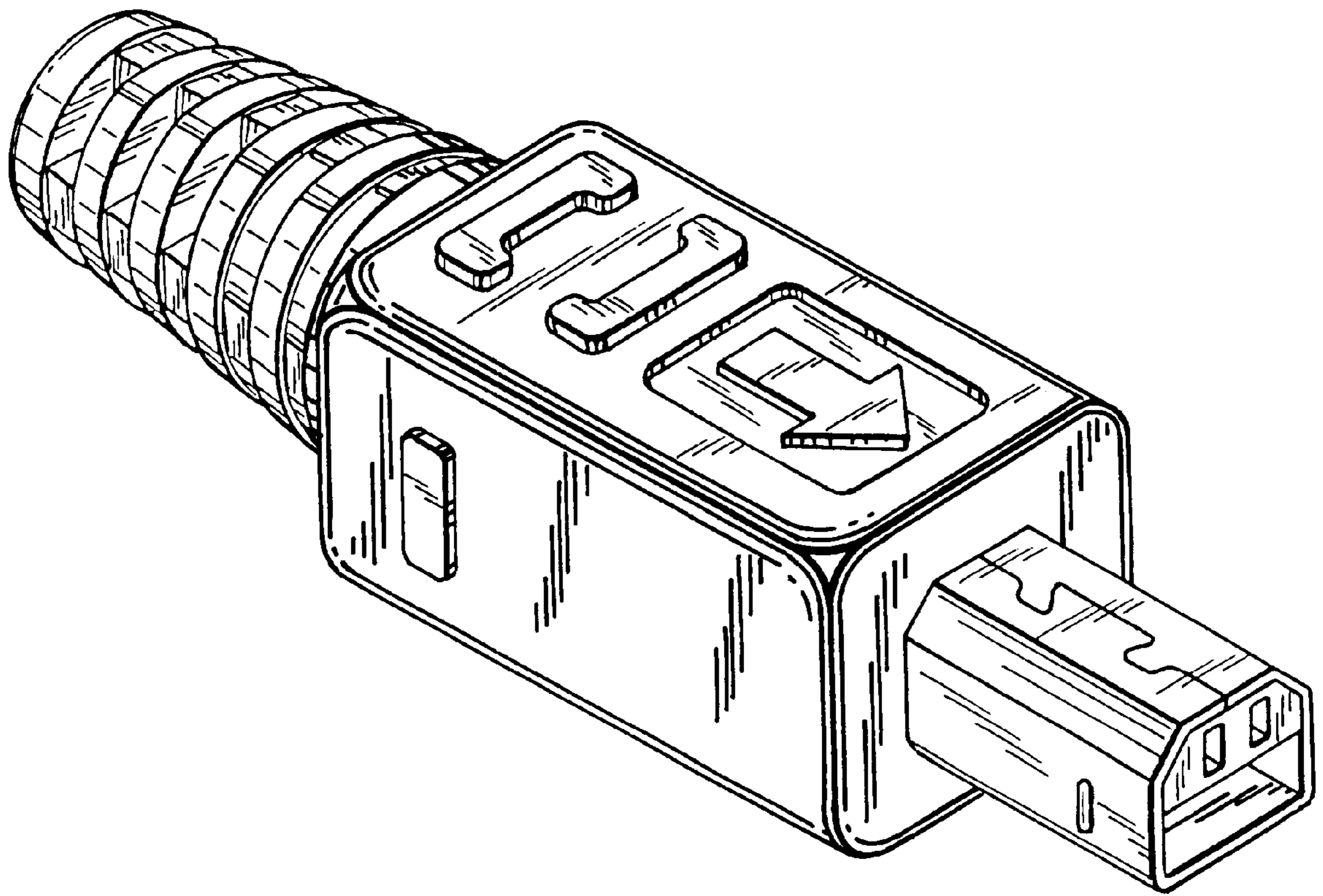


FIG. 1

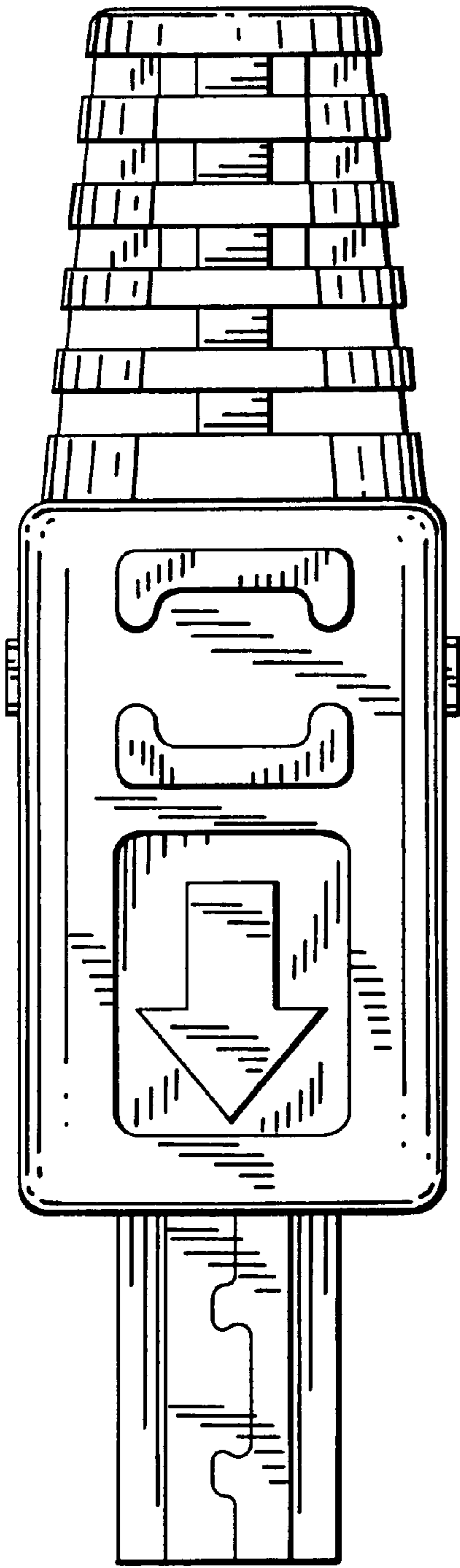


FIG. 2

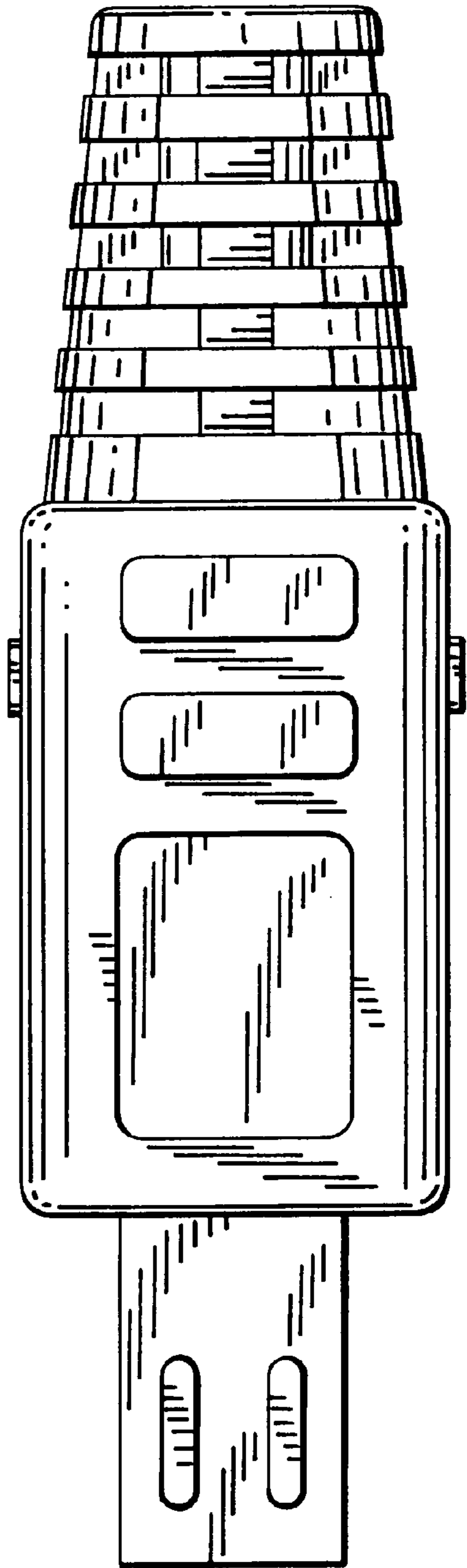


FIG. 6

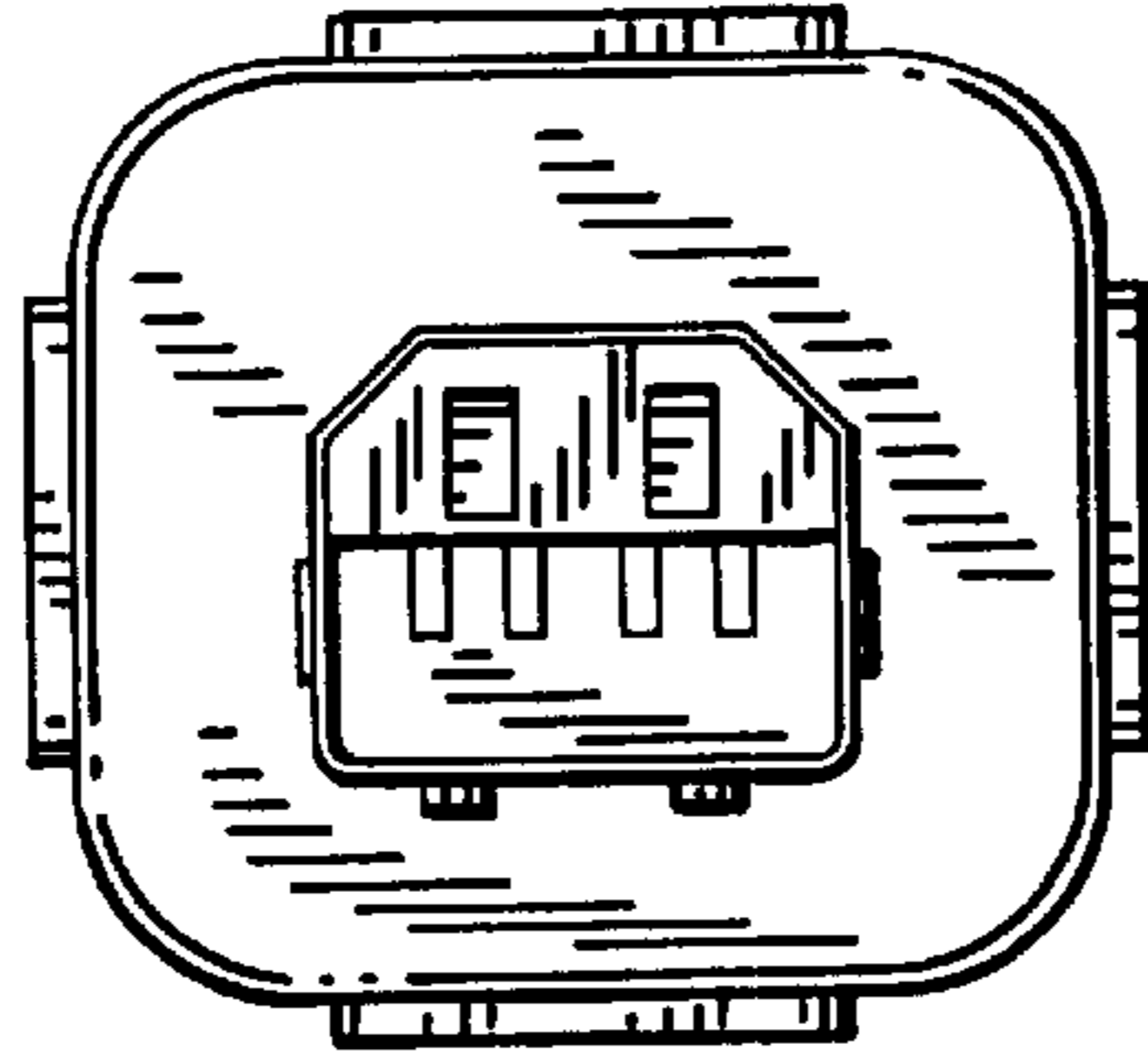


FIG. 3

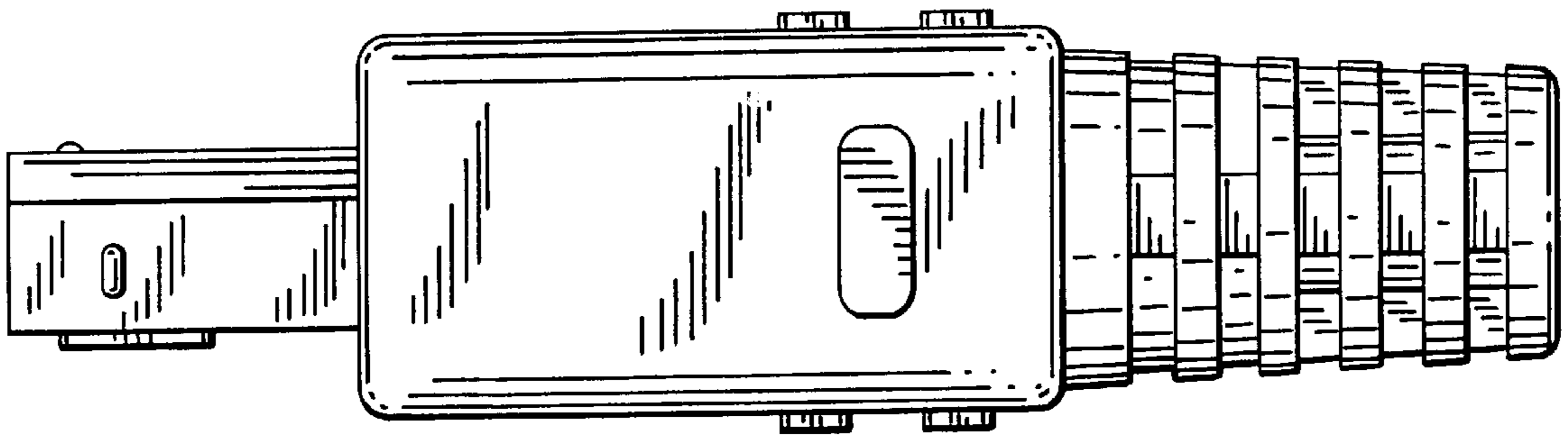


FIG. 4

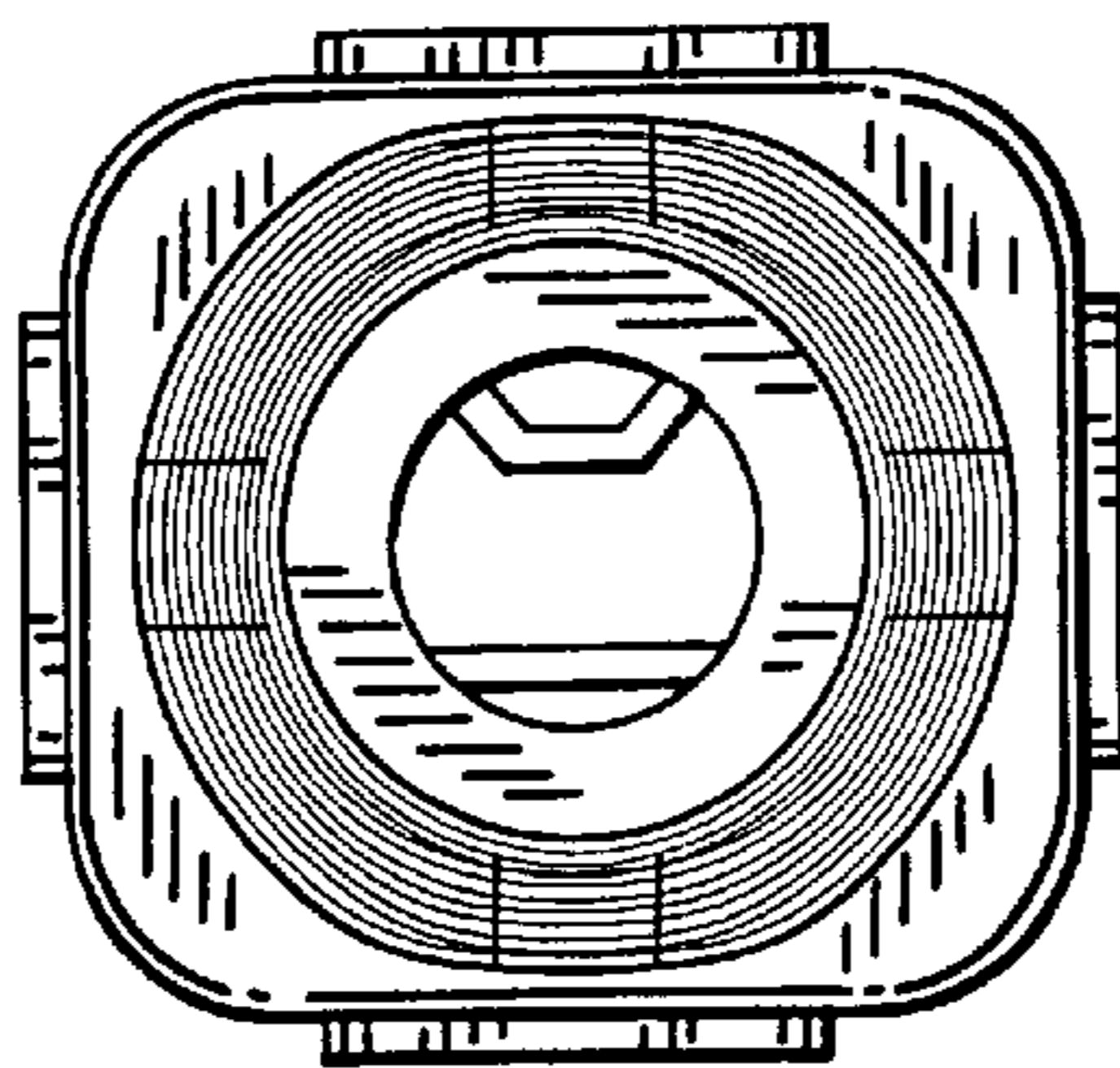


FIG. 5