



US00D424518S

United States Patent [19]

Chin-Kuan et al.

[11] Patent Number: Des. 424,518

[45] Date of Patent: ** May 9, 2000

[54] POWER CENTER

[75] Inventors: **Lou Chin-Kuan; Liu Sen-Hsiang**, both of Taipei Hsien; **Pan Hui-Jen**, Chi-Lung, all of Taiwan

[73] Assignee: **Primax Electronics Ltd.**, Taipei Hsein, Taiwan

[**] Term: **14 Years**

[21] Appl. No.: **29/099,174**

[22] Filed: **Jan. 13, 1999**

[30] Foreign Application Priority Data

Nov. 11, 1998 [TW] Taiwan 87308224

[51] LOC (7) Cl. **13-03**

[52] U.S. Cl. **D13/123**

[58] Field of Search D13/123, 164, D13/139.8, 139.6; 439/650, 142

[56] References Cited

U.S. PATENT DOCUMENTS

D. 314,183 1/1991 Wong D13/160

D. 340,699	10/1993	Chen	D13/164
D. 354,737	1/1995	Fladung	D13/164
D. 380,446	7/1997	Chou	D13/164 X
D. 381,317	7/1997	Yu	D13/164 X
D. 410,626	6/1999	Huang	D13/139.6
5,649,839	7/1997	Yu	439/650
5,899,761	5/1999	Crane et al.	439/142

Primary Examiner—Joel Sincavage
Attorney, Agent, or Firm—Winston Hsu

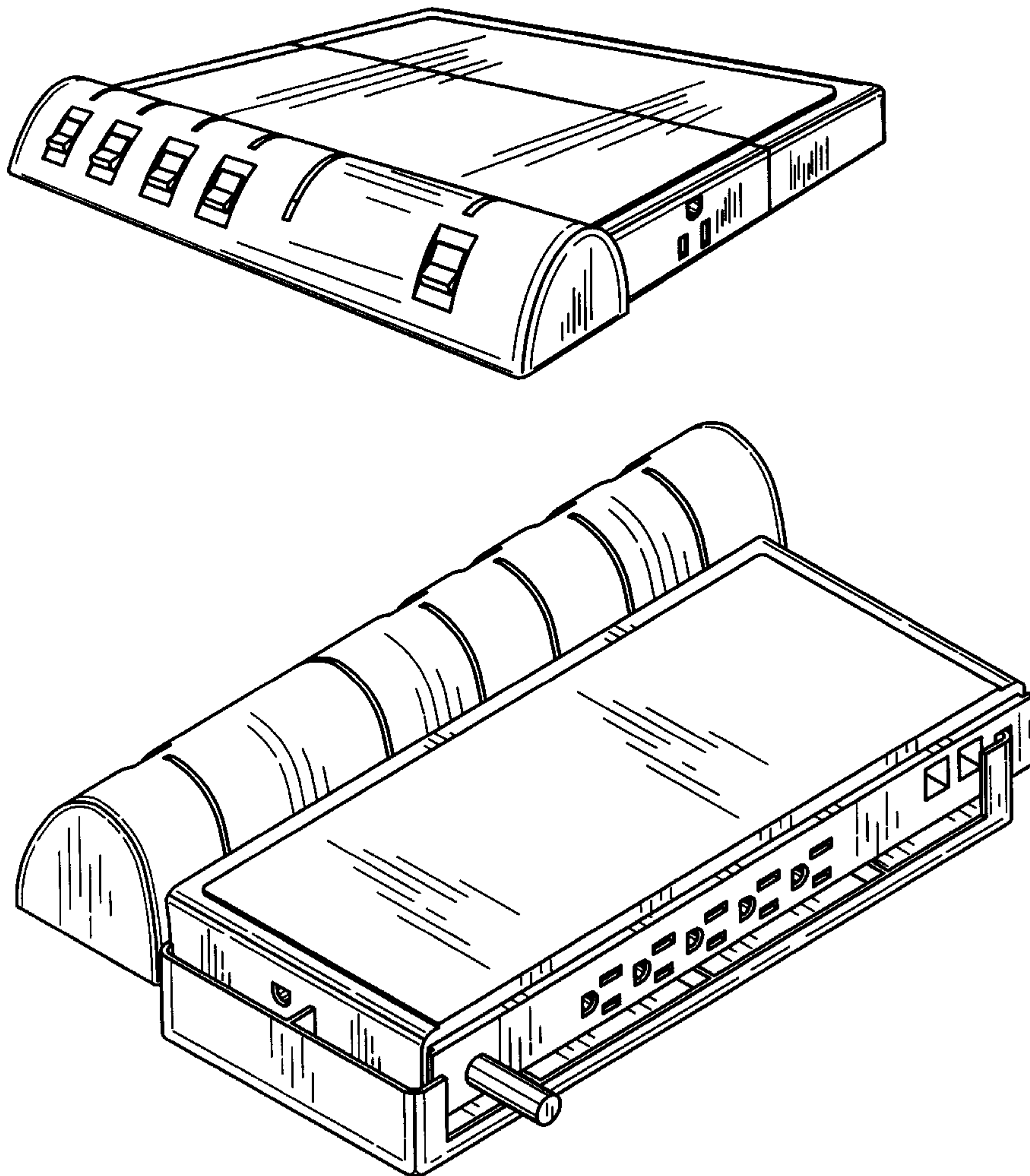
[57] CLAIM

The ornamental design for a power center, as shown and described.

DESCRIPTION

FIG. 1 is a perspective view of a power center showing our new design;
FIG. 2 is a top plan view thereof;
FIG. 3 is a bottom plan view thereof;
FIG. 4 is a left side elevational view thereof;
FIG. 5 is a right side elevational view thereof;
FIG. 6 is a front elevational view thereof;
FIG. 7 is a rear elevational view thereof; and,
FIG. 8 is a perspective view thereof in a folded position.

1 Claim, 8 Drawing Sheets



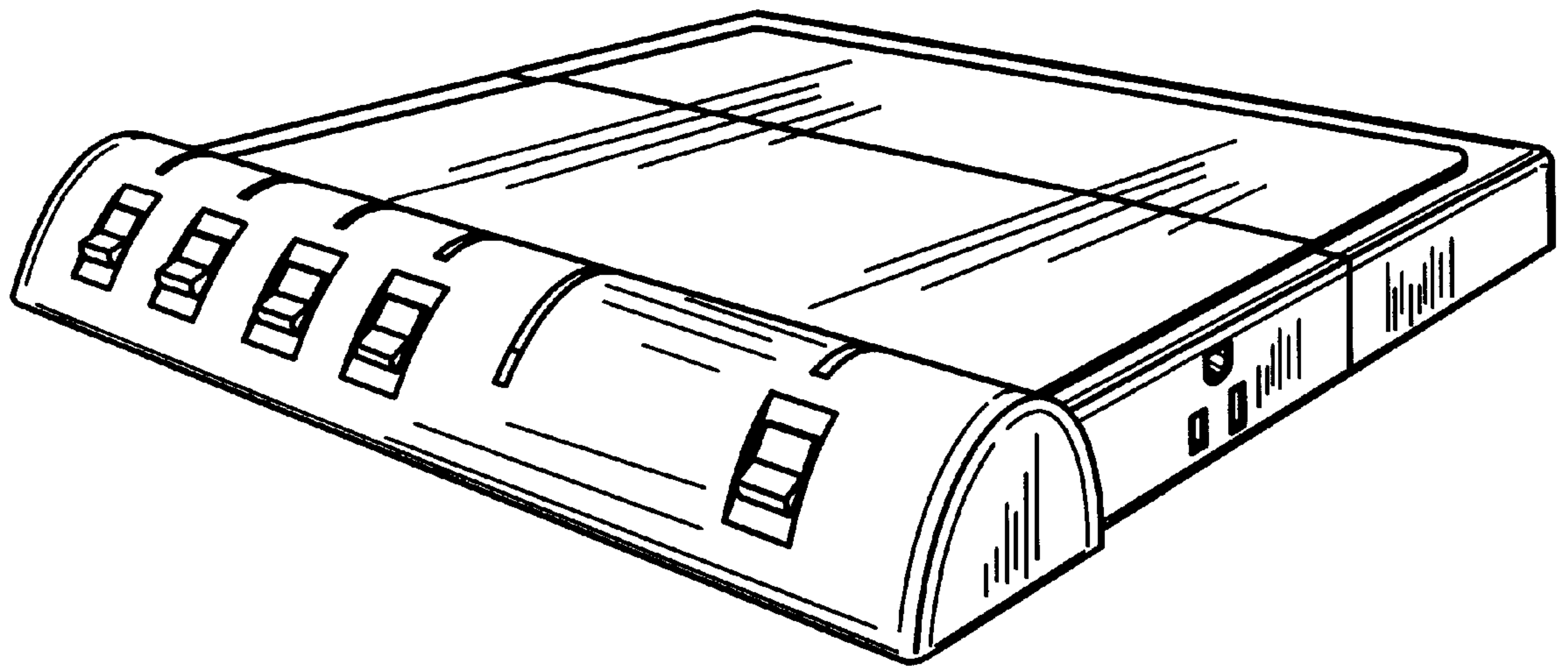


Fig. 1

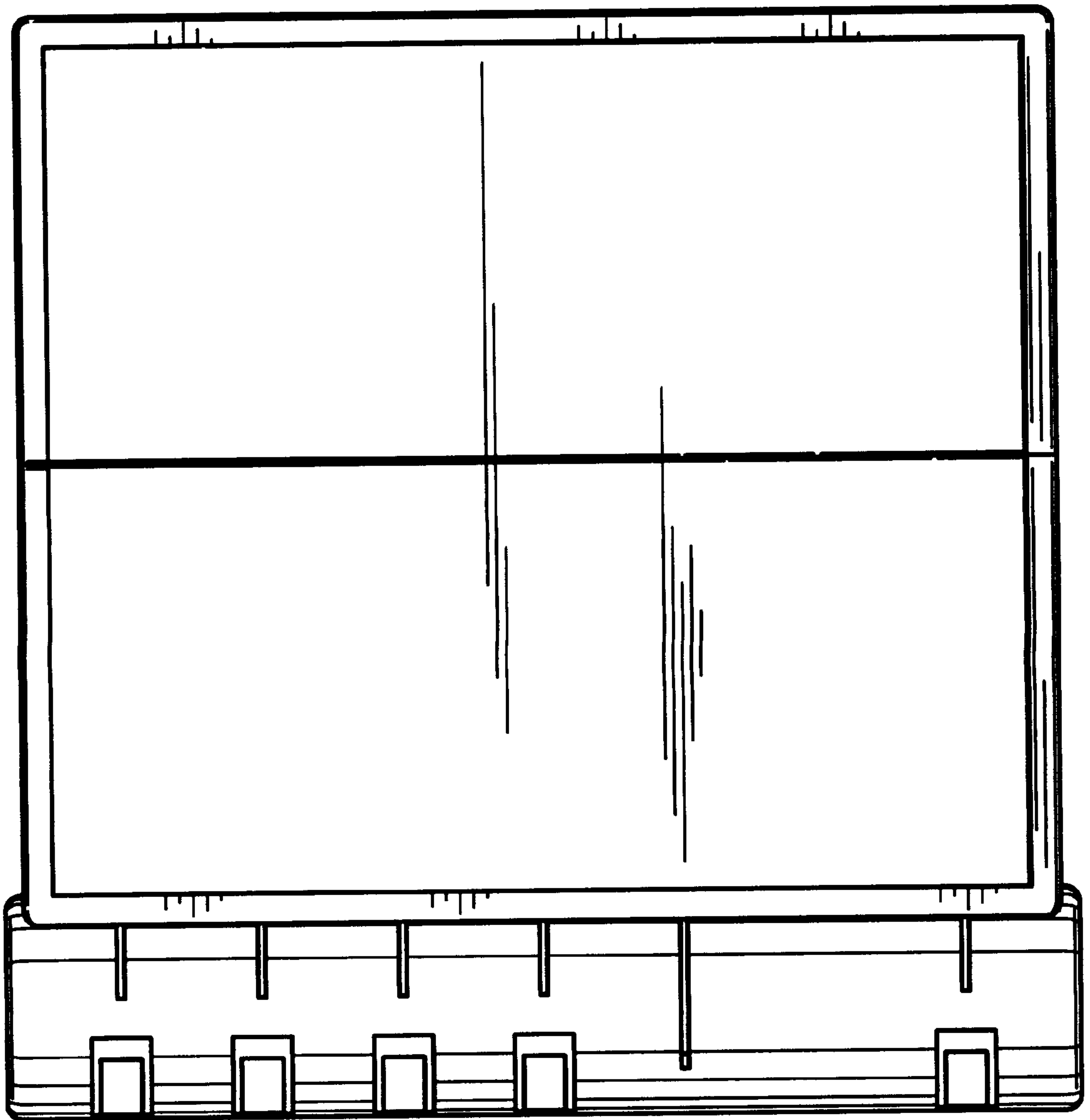


Fig. 2

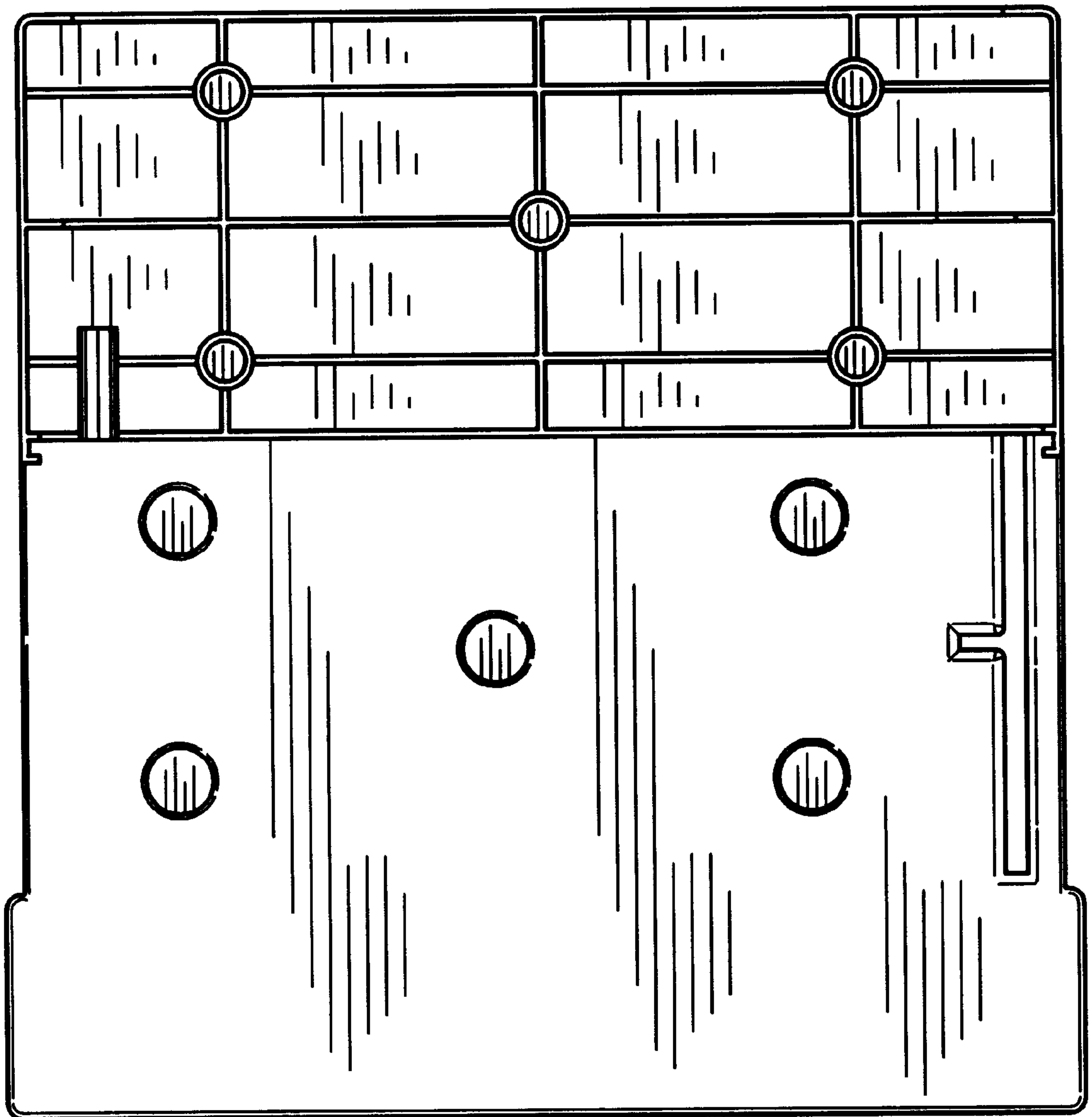


Fig. 3

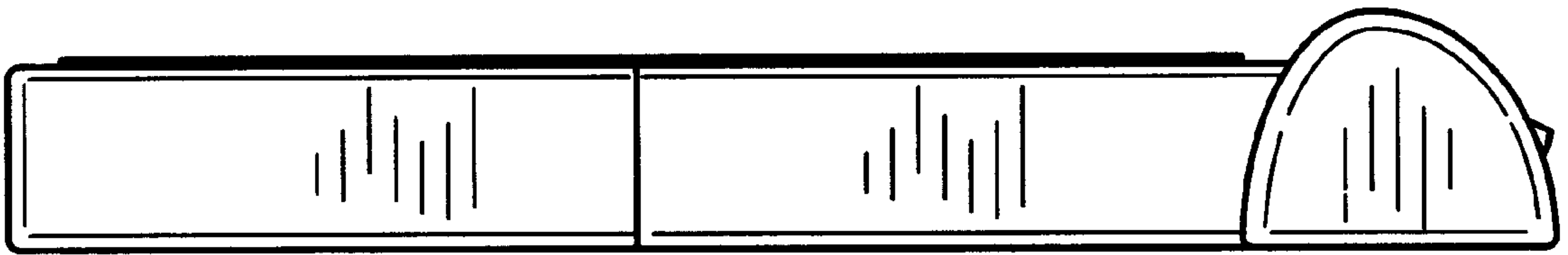


Fig. 4

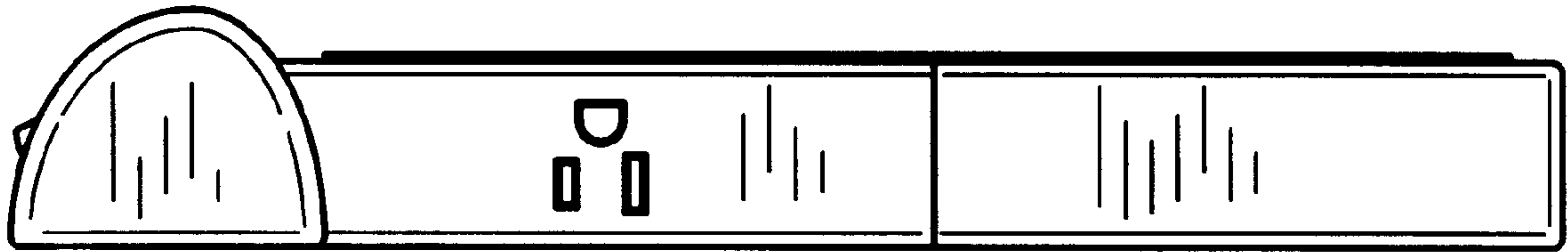


Fig. 5

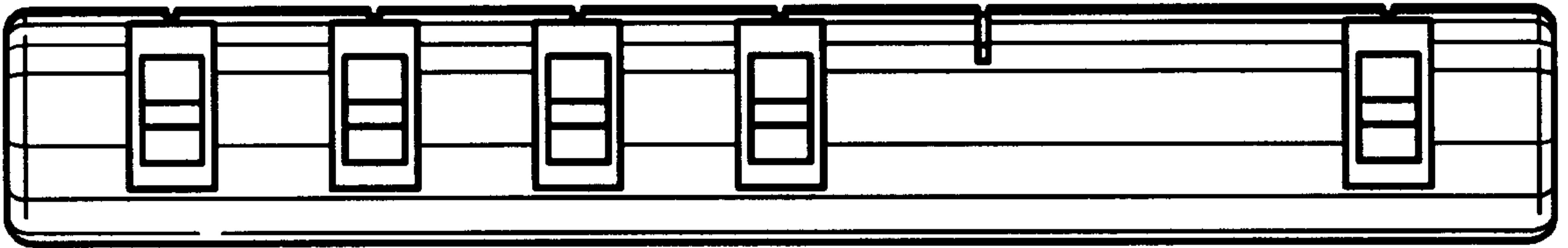


Fig. 6

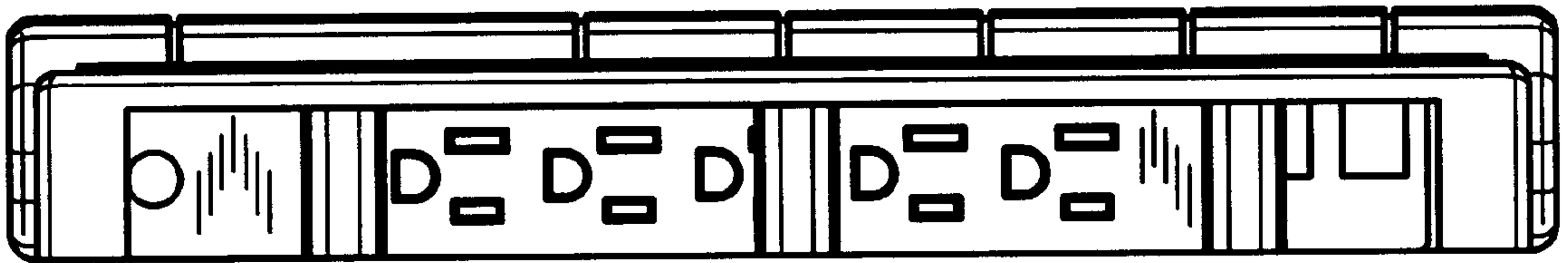


Fig. 7

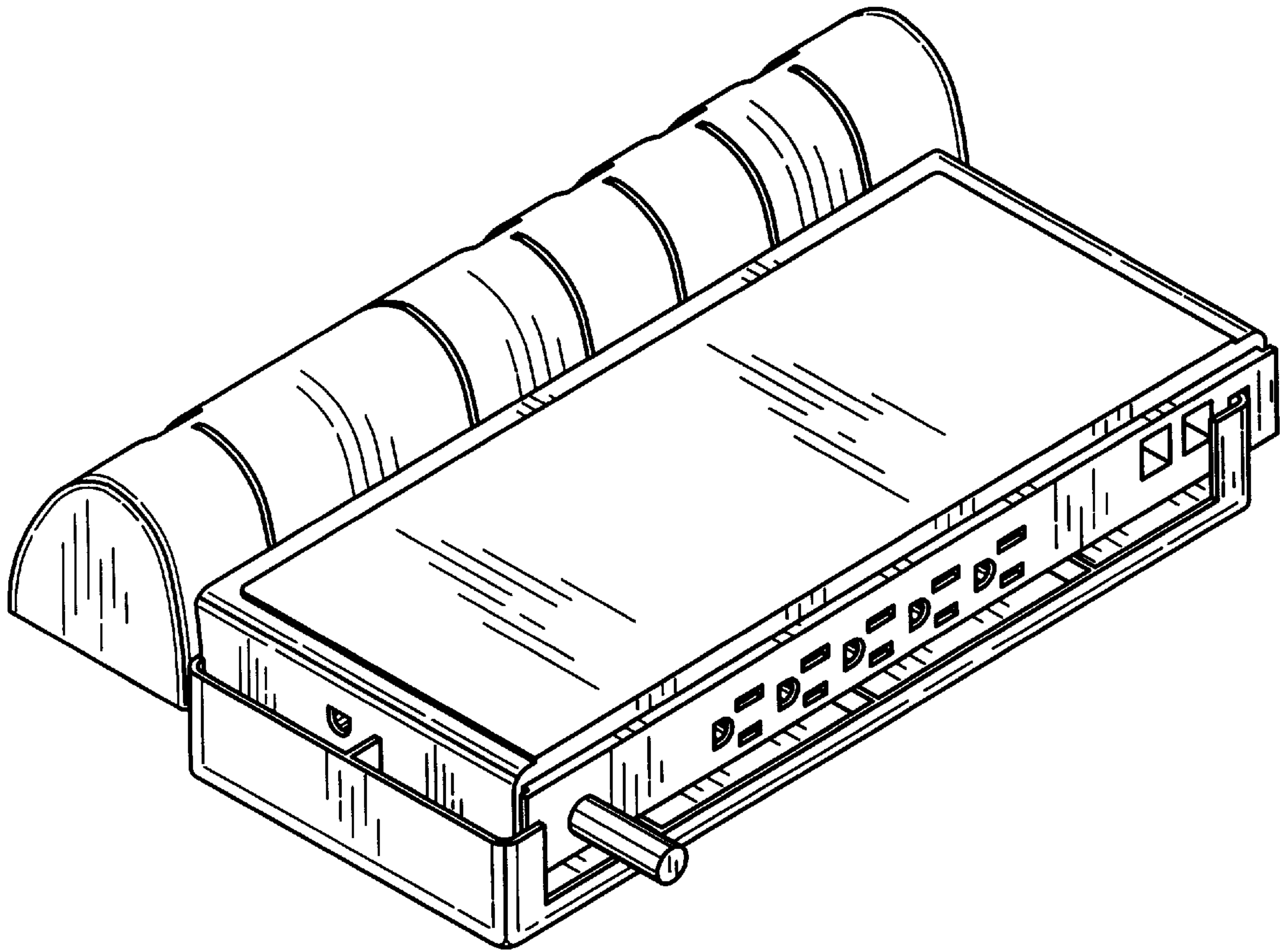


Fig. 8