



US00D424517S

# United States Patent [19]

[11] **Patent Number: Des. 424,517**

**Hurst et al.**

[45] **Date of Patent: \*\* May 9, 2000**

## [54] VEHICLE BATTERY COVER

## [57] CLAIM

[76] Inventors: **Cheryl A Hurst; Karen R Bevil**, both of 329 W. Walnut St., Crown Point, Ind. 46307

The ornamental design for a vehicle battery cover, as shown and described.

[\*\*] Term: **14 Years**

## DESCRIPTION

[21] Appl. No.: **29/100,103**

FIG. 1 is a front elevational view of the vehicle battery cover of the present invention;

[22] Filed: **Feb. 4, 1999**

FIG. 2 is a back elevational view of the vehicle battery cover of FIG. 1;

[51] **LOC (7) Cl. .... 13-02**

FIG. 3 is a left side elevational view of the vehicle battery cover of FIG. 1;

[52] **U.S. Cl. .... D13/119**

FIG. 4 is a right side elevational view of the vehicle battery cover of FIG. 1;

[58] **Field of Search .... D13/119; 429/72, 429/120, 175; 219/201, 209**

FIG. 5 is a bottom plan view of the vehicle battery cover of FIG. 1;

## [56] References Cited

FIG. 6 is a top plan view of the vehicle battery cover of FIG. 1; and,

### U.S. PATENT DOCUMENTS

FIG. 7 is a top, front right side perspective view of the vehicle battery cover of FIG. 1 in use.

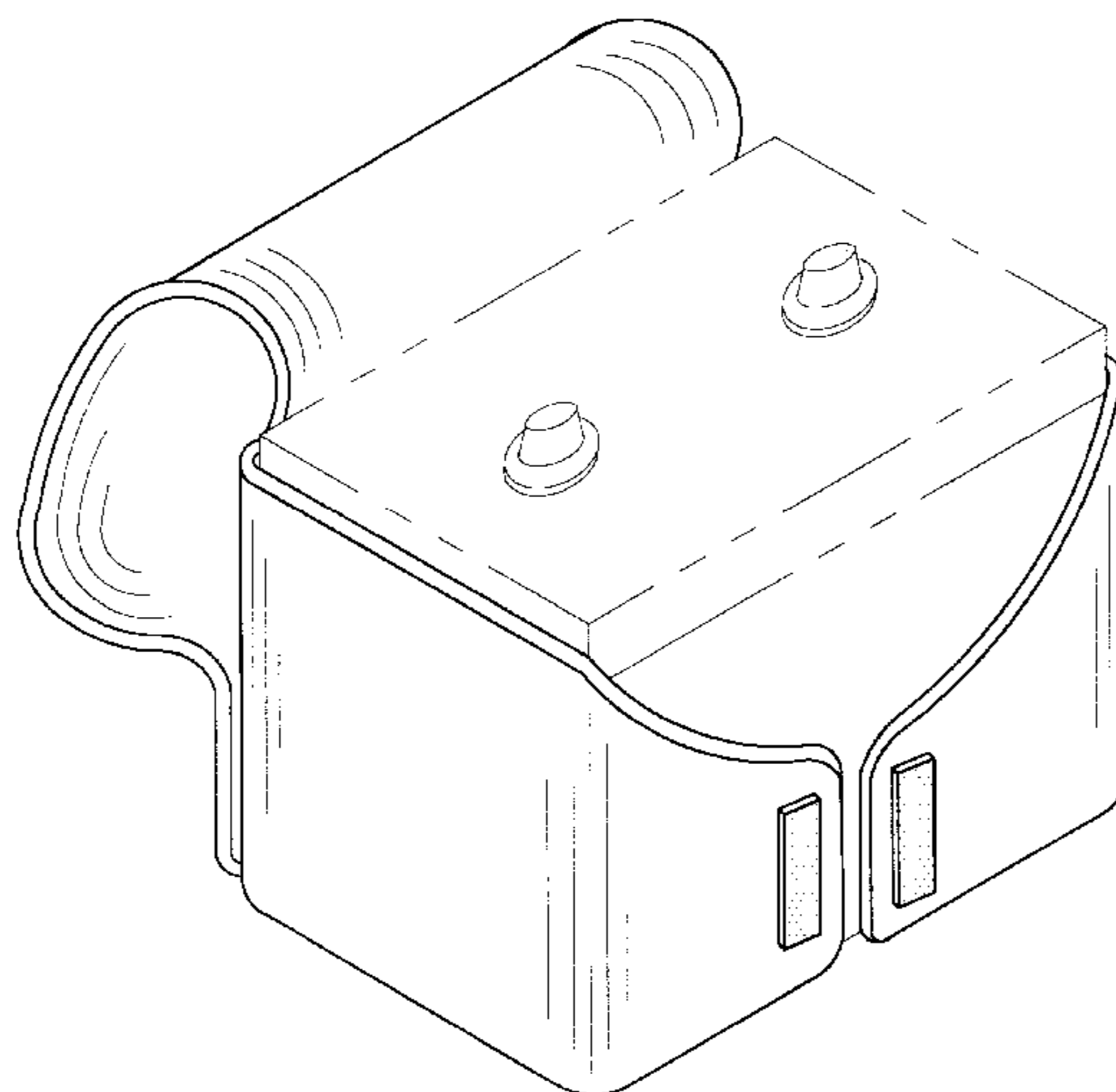
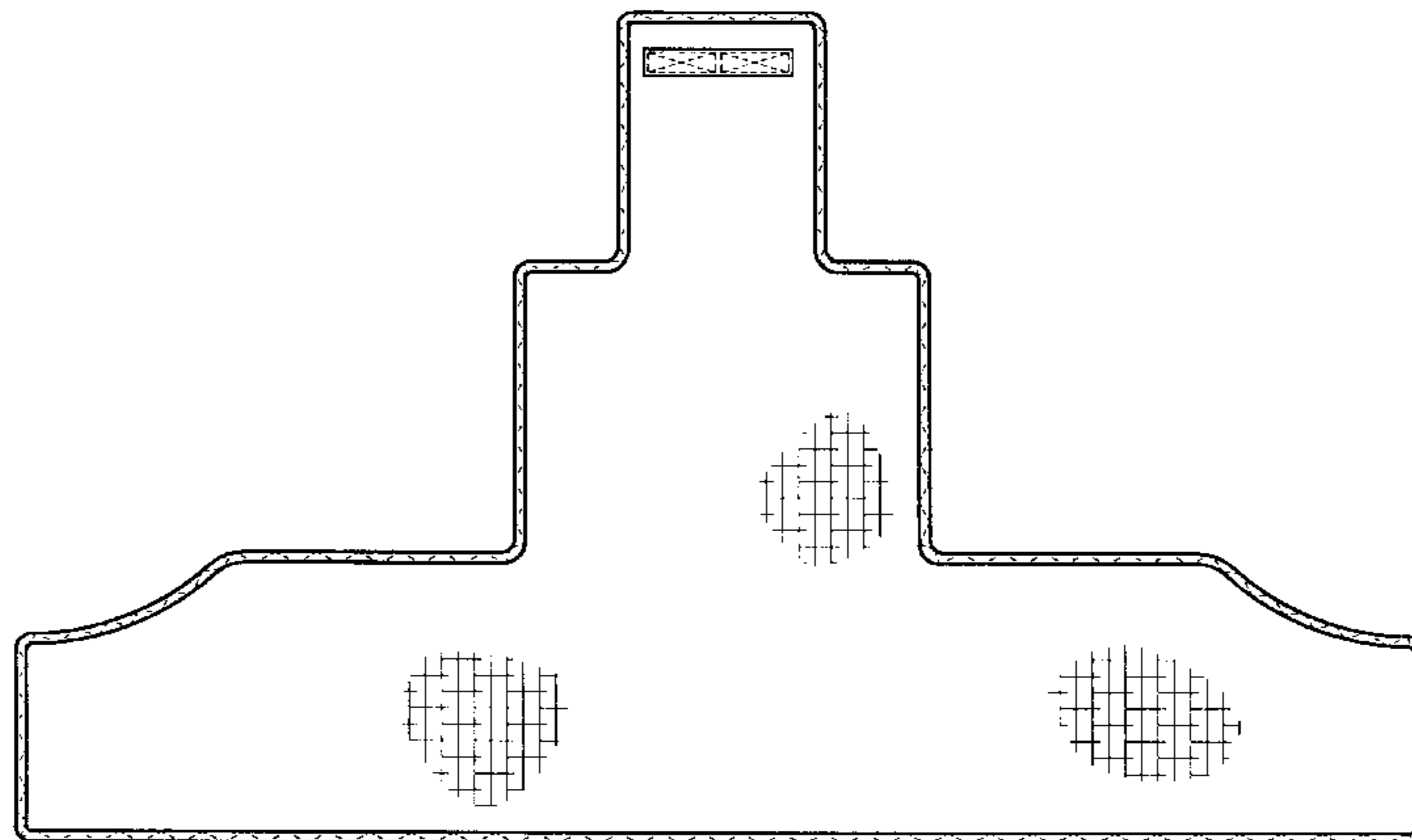
D. 350,114	8/1994	Wales	.....	D13/119
D. 384,640	10/1997	Gibbs et al.	.....	D13/119
4,255,502	3/1981	Taylor, III	.....	429/163
4,738,906	4/1988	Sanders	.....	429/120

The broken lines showing a battery in FIG. 7 are for illustrative purposes only and form no part of the claimed design.

The broken lines shown in the rectangular strips of FIG. 1, 2 and 7 are indicative of backstitching.

*Primary Examiner*—Joel Sincavage

**1 Claim, 3 Drawing Sheets**



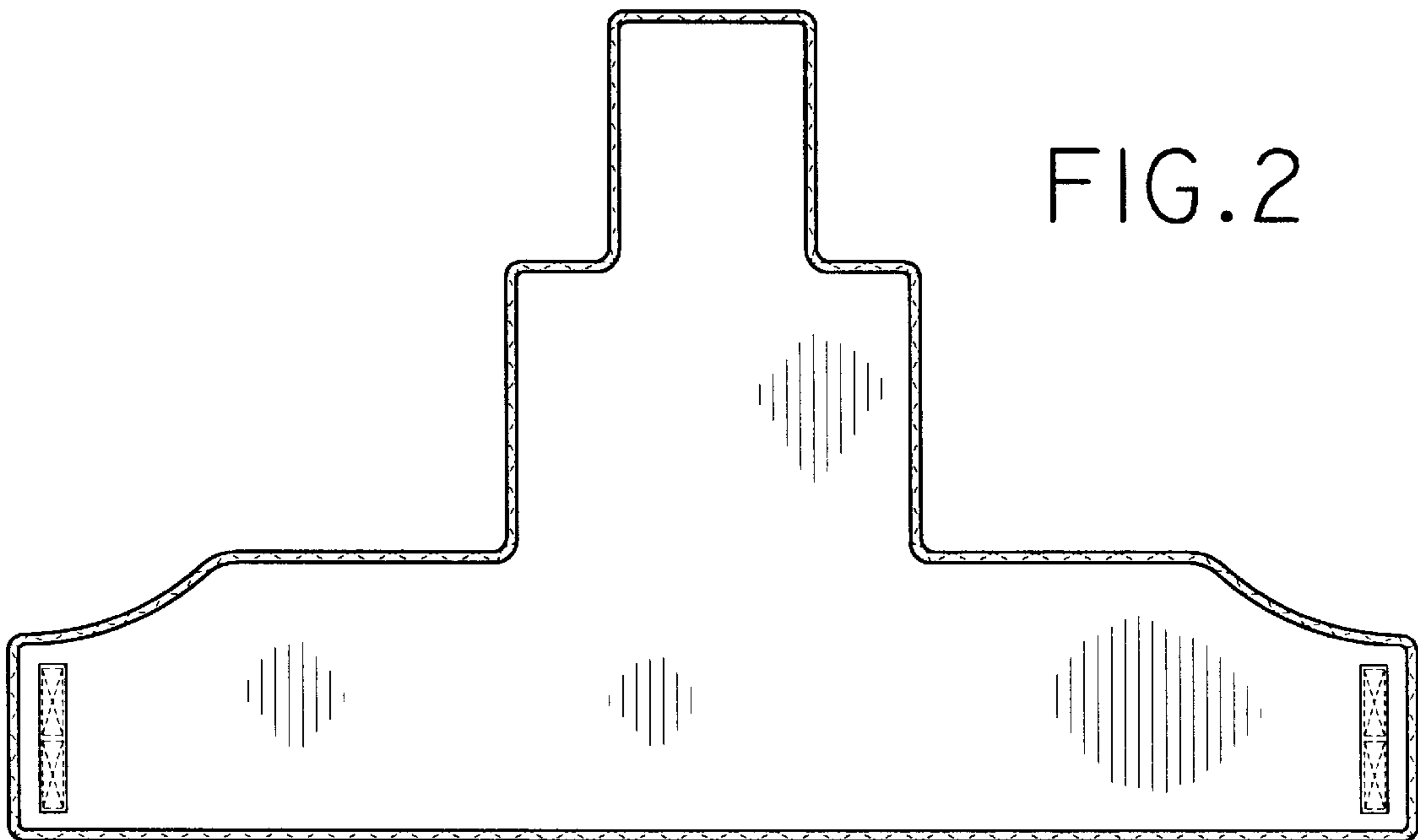
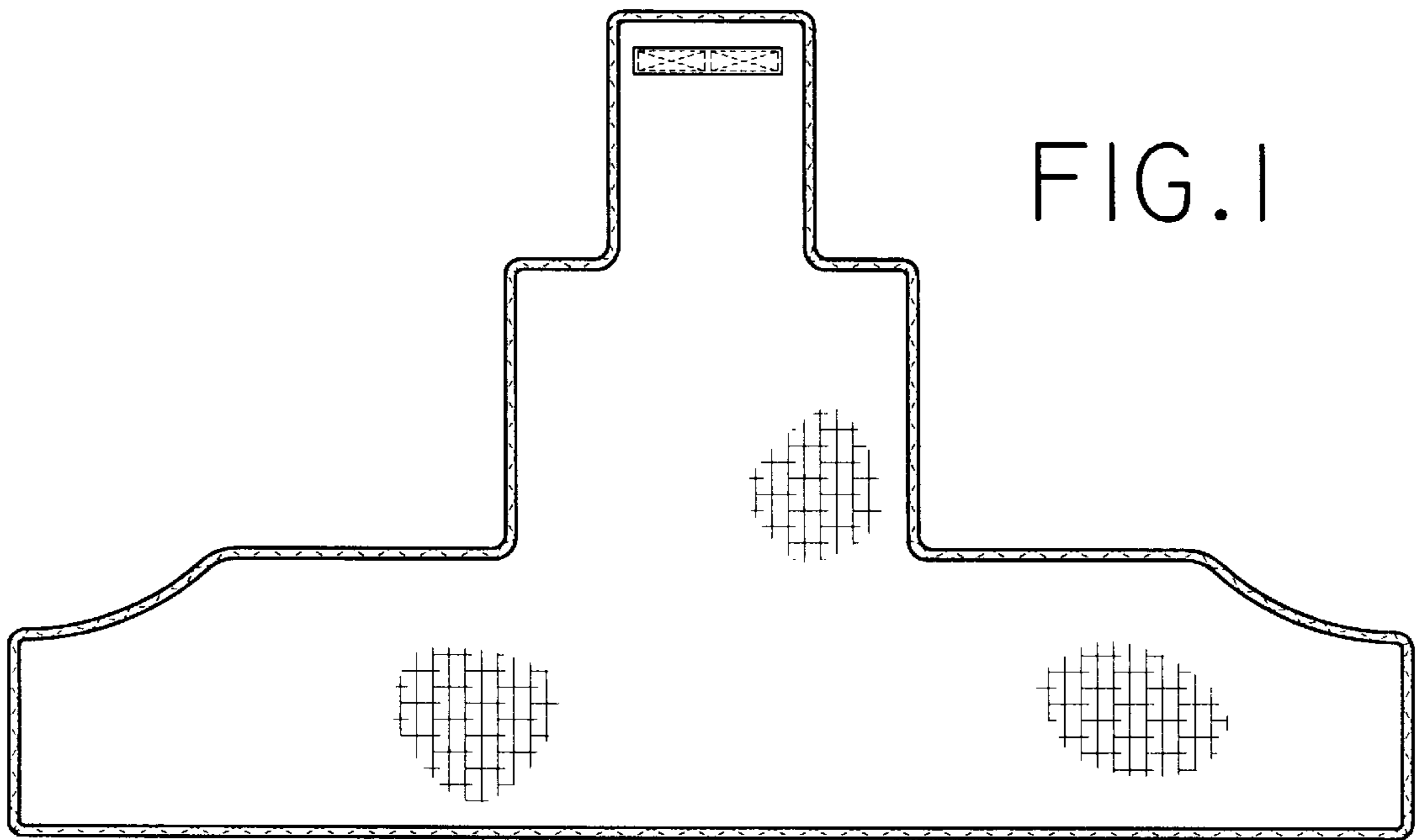




FIG. 3



FIG. 4

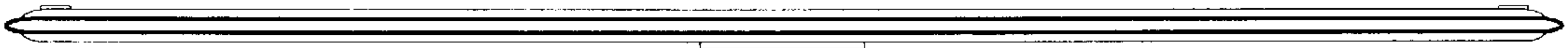


FIG. 5

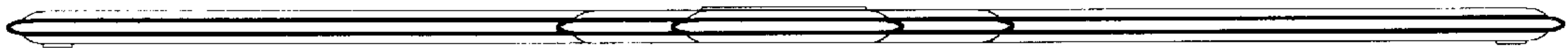


FIG. 6

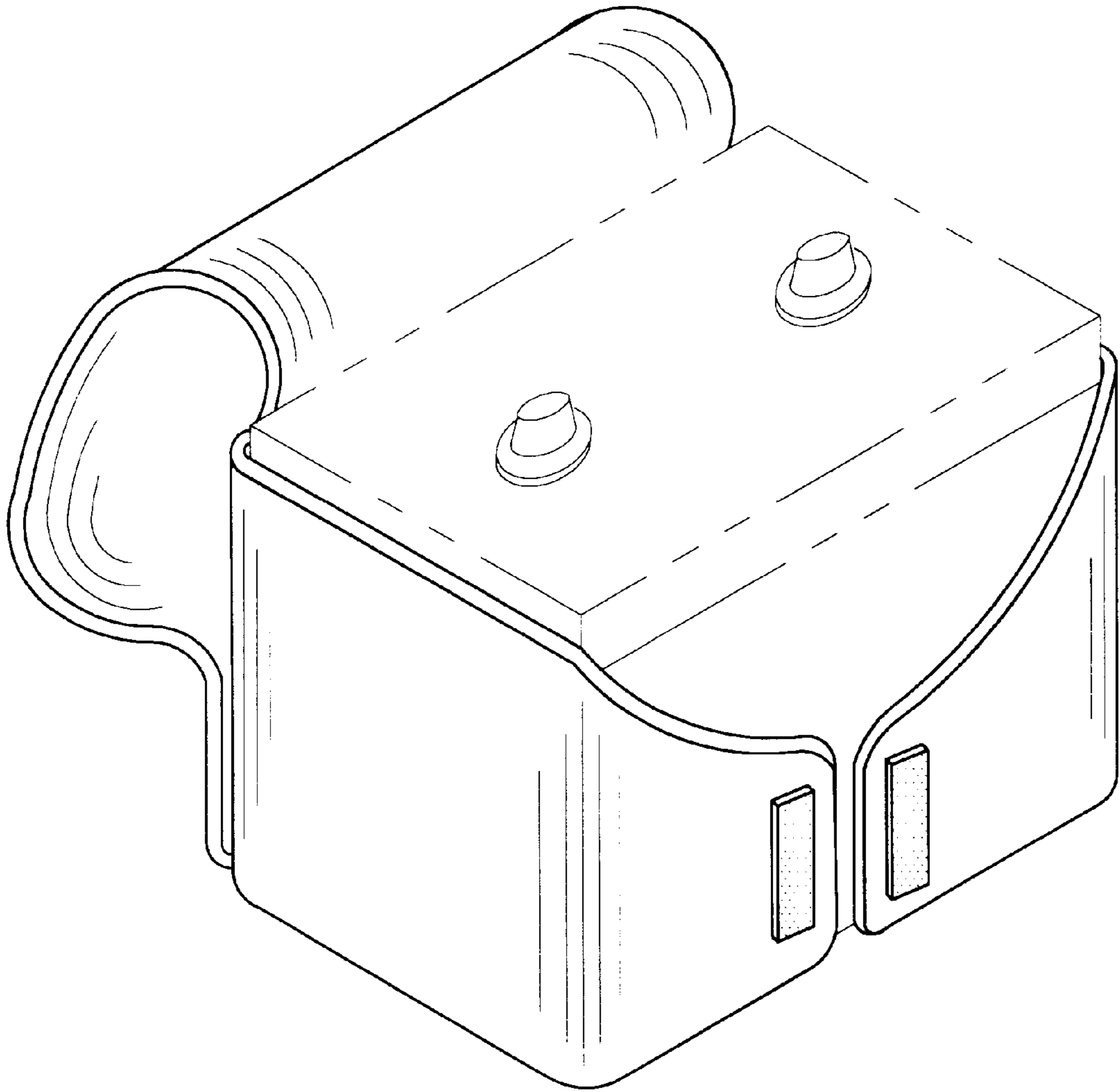


FIG. 7