



US00D424512S

United States Patent [19] Ho

[11] Patent Number: **Des. 424,512**

[45] Date of Patent: **** May 9, 2000**

[54] **RECHARGEABLE BATTERY PACK WITH VIBRATOR AND SPEAKER FOR HANDHELD ELECTRONIC GAMES**

[75] Inventor: **Kin Chung Ho**, Kowloon, The Hong Kong Special Administrative Region of the People's Republic of China

[73] Assignee: **Storm Electronics Company Limited**, The Hong Kong Special Administrative Region of the People's Republic of China

[**] Term: **14 Years**

[21] Appl. No.: **29/105,676**

[22] Filed: **May 28, 1999**

[30] **Foreign Application Priority Data**

Apr. 22, 1999 [HK] The Hong Kong Special Administrative Region of the People's Republic of China 9910476

[51] **LOC (7) Cl.** **13-02**

[52] **U.S. Cl.** **D13/103; D14/172; D21/333**

[58] **Field of Search** **D13/103; 429/96-100, 429/159, 163, 176; D14/172; D21/333**

[56] **References Cited**

U.S. PATENT DOCUMENTS

D. 320,018 9/1991 Bakanowsky, III D14/172

D. 344,708	3/1994	Ho	D13/108
4,366,960	1/1983	Bromley et al.	463/8
4,373,722	2/1983	Kite et al.	463/6
4,450,495	5/1984	Naruki	360/137
4,969,647	11/1990	Mical et al.	463/31
5,026,058	6/1991	Bromley	463/3
5,675,426	10/1997	Meisner et al.	381/24
5,973,656	10/1999	Yokoi et al.	345/82

Primary Examiner—Joel Sincavage
Attorney, Agent, or Firm—Samuels, Gauthier & Stevens

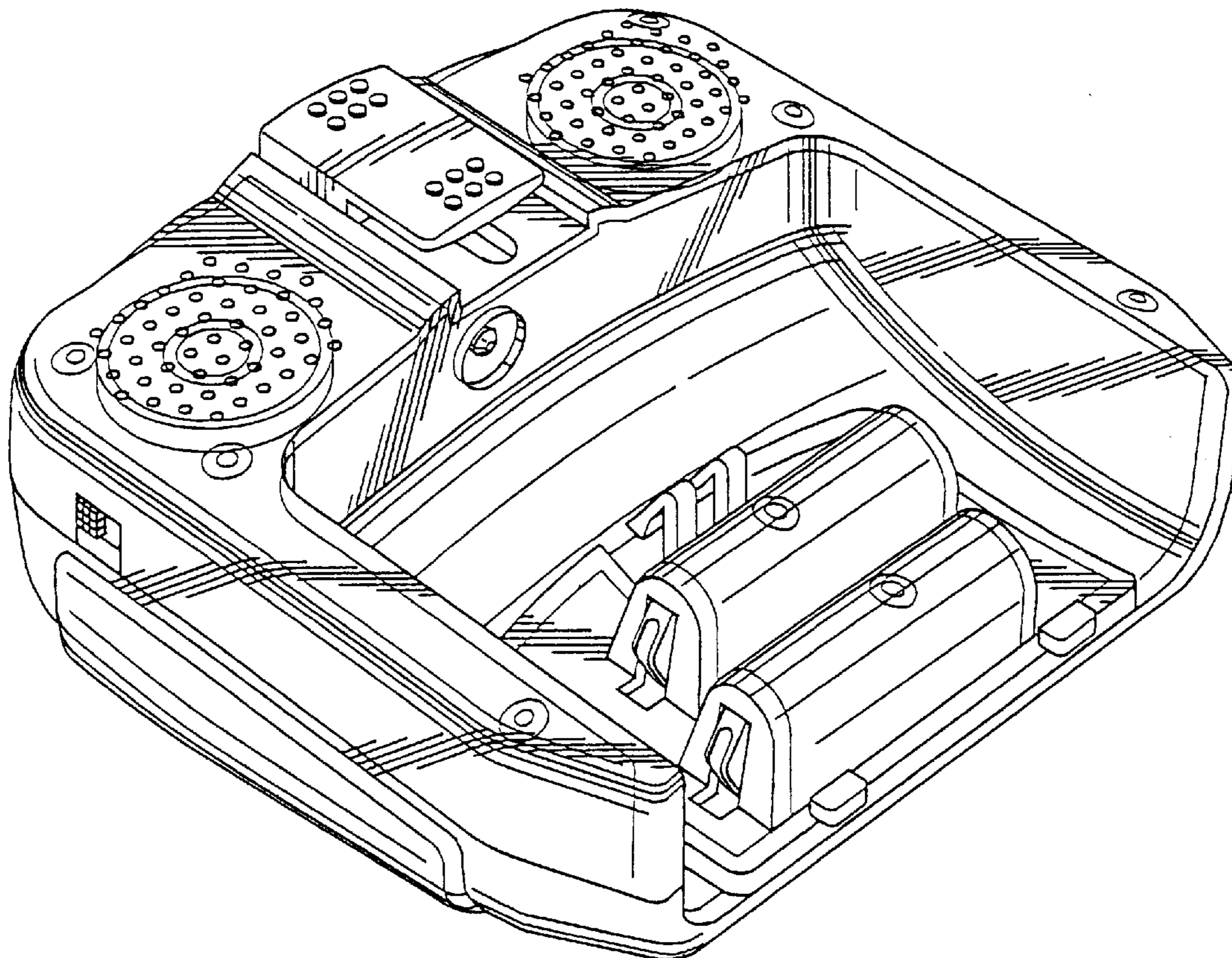
[57] **CLAIM**

The ornamental design for a “rechargeable battery pack with vibrator and speaker for handheld electronic games,” as shown and described.

DESCRIPTION

FIG. 1 is the front perspective view showing my new design; FIG. 2 is the front view thereof; FIG. 3 is the left-hand view thereof; FIG. 4 is the right-hand view thereof; FIG. 5 is the rear view thereof; FIG. 6 is the top view thereof; FIG. 7 is the bottom view thereof; and, FIG. 8 is the perspective view showing the switch in operating position.

1 Claim, 6 Drawing Sheets



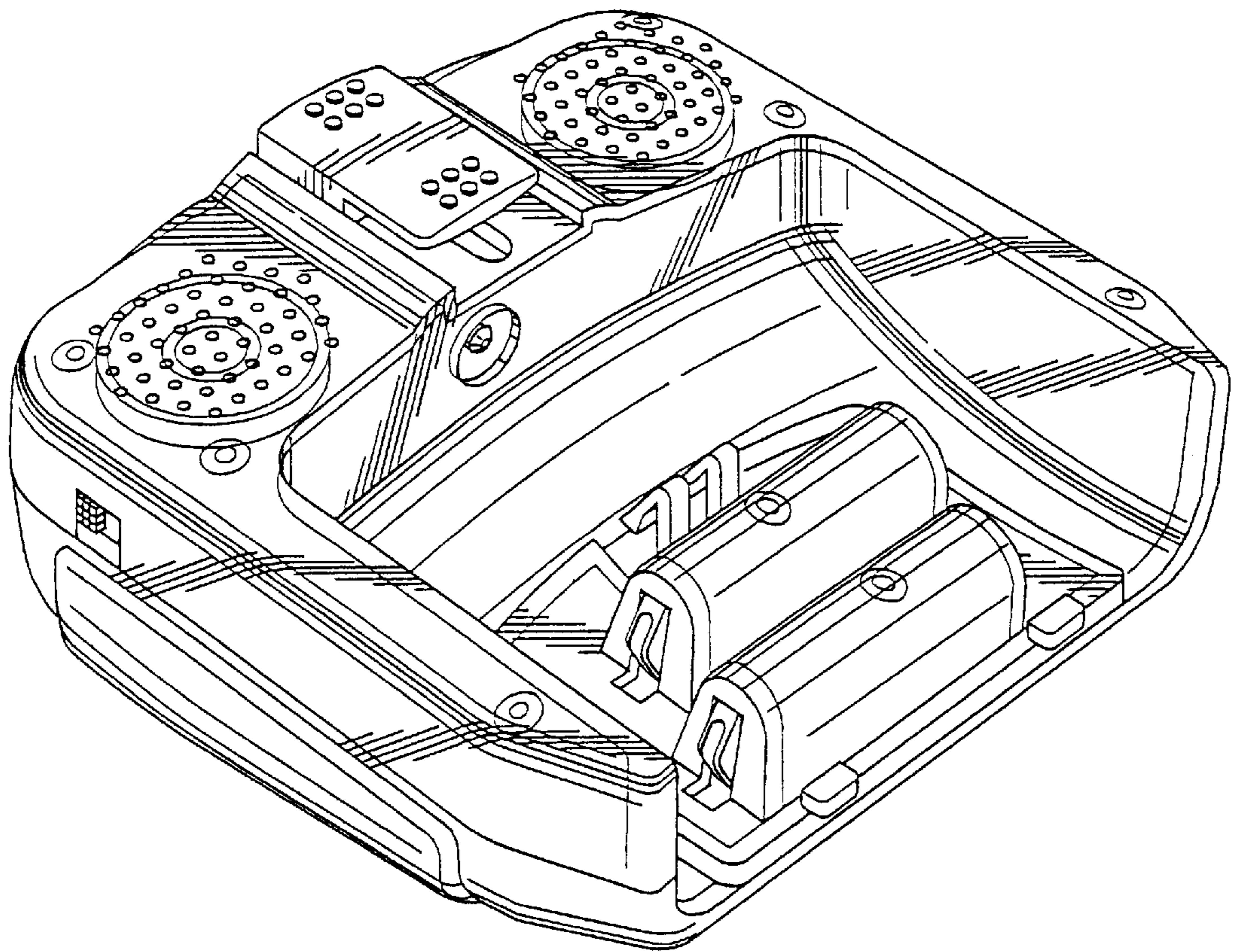


FIG. 1

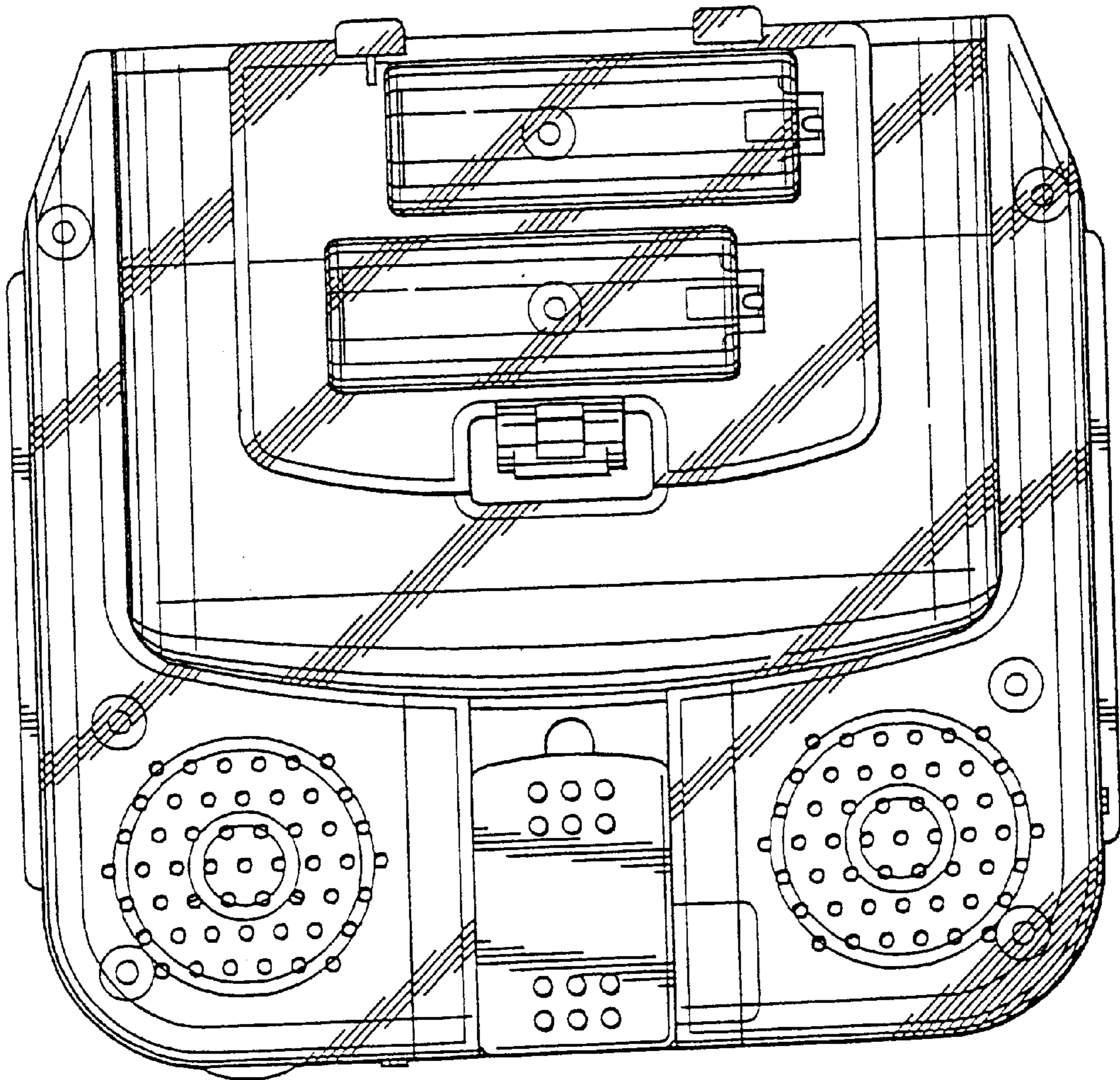


FIG. 2

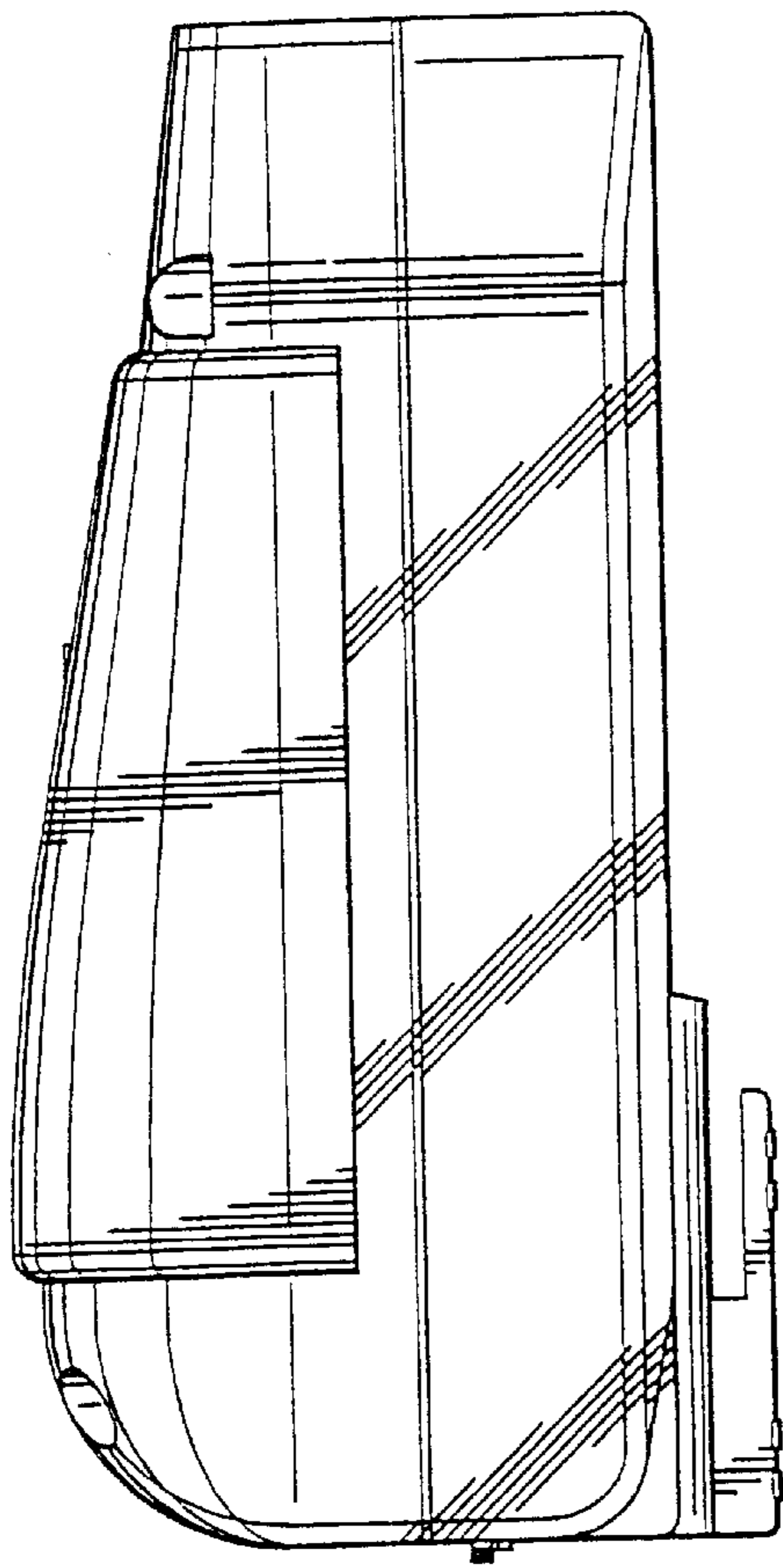


FIG. 3

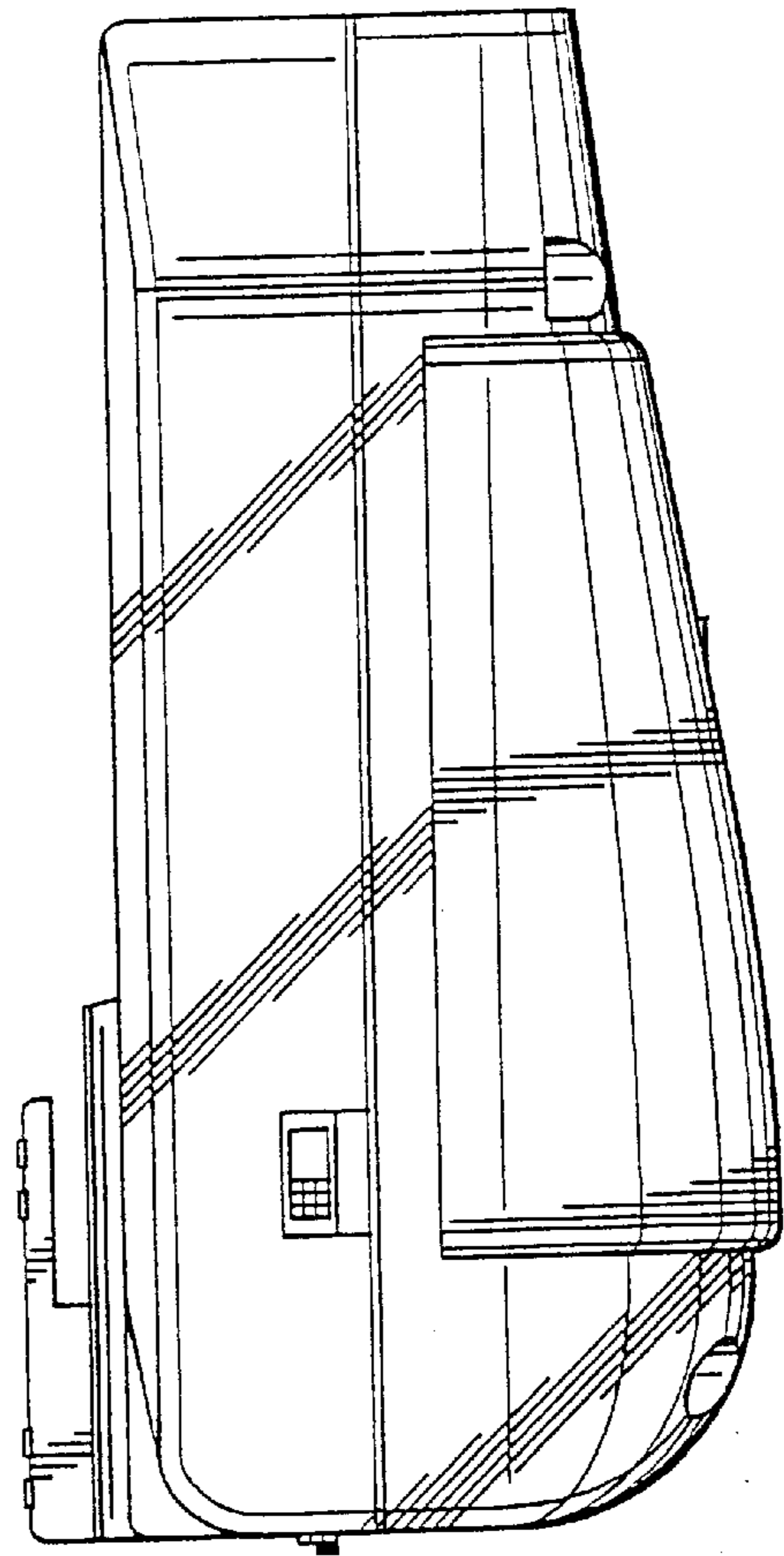


FIG. 4

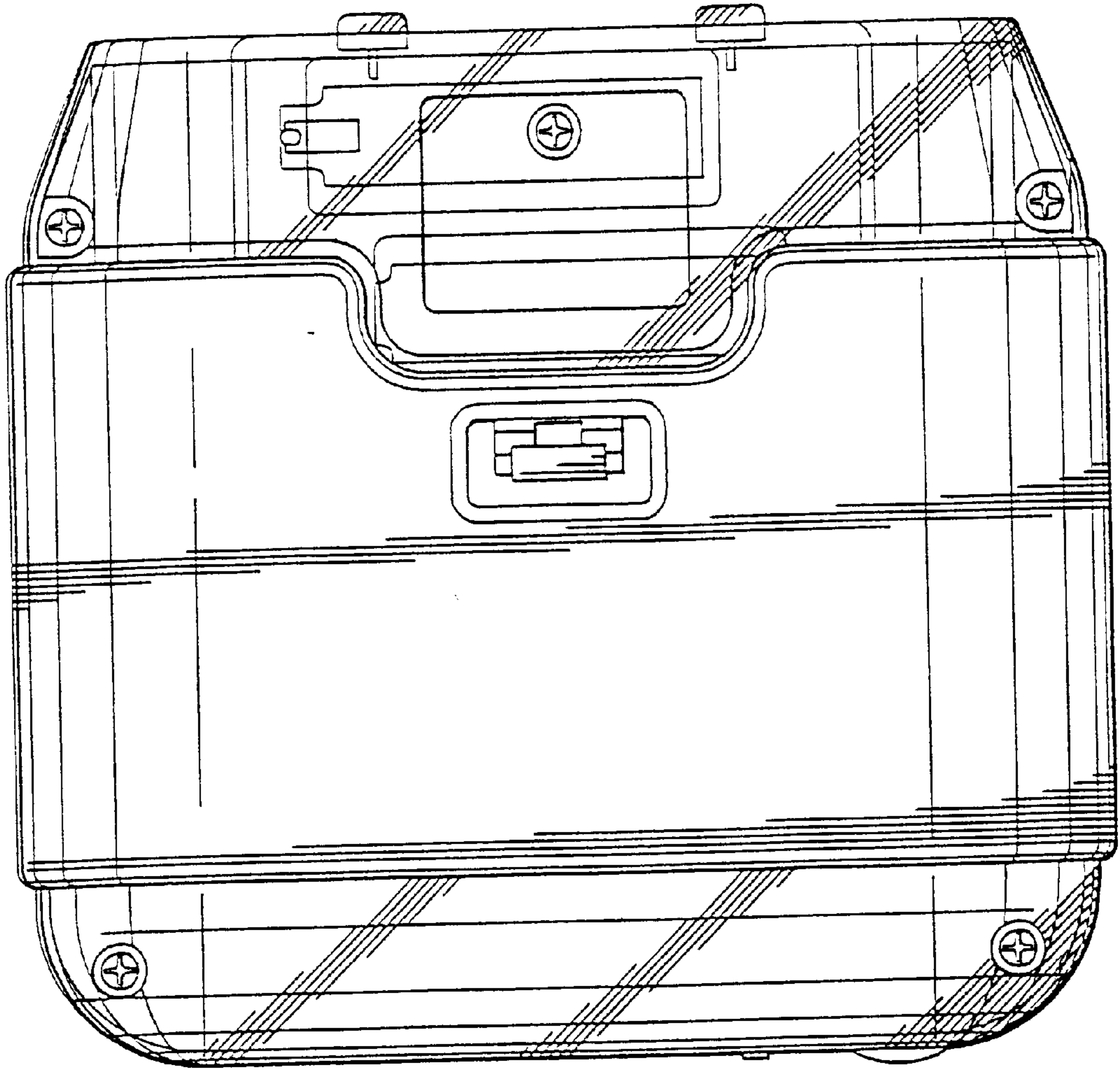


FIG. 5

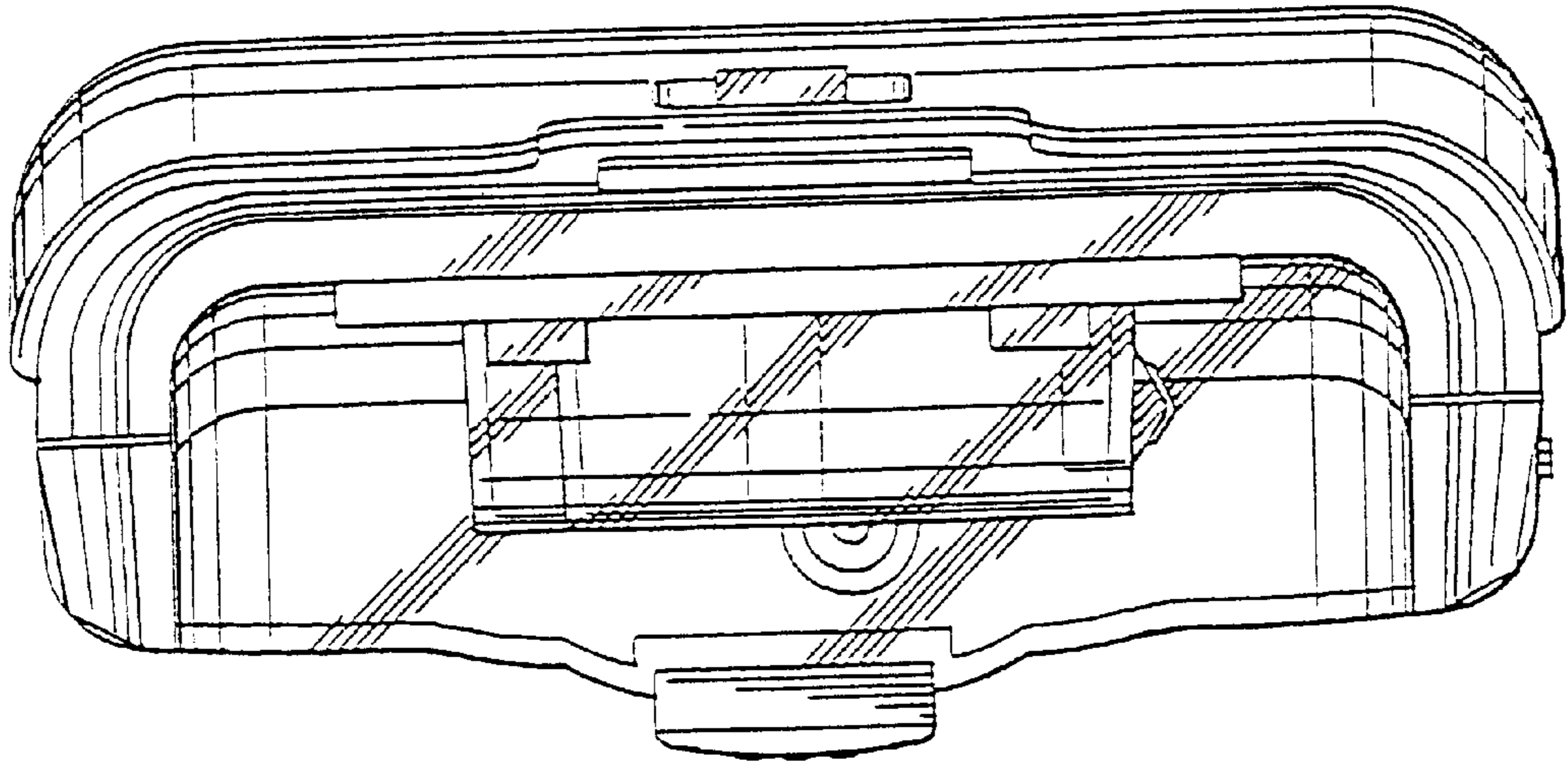


FIG. 6

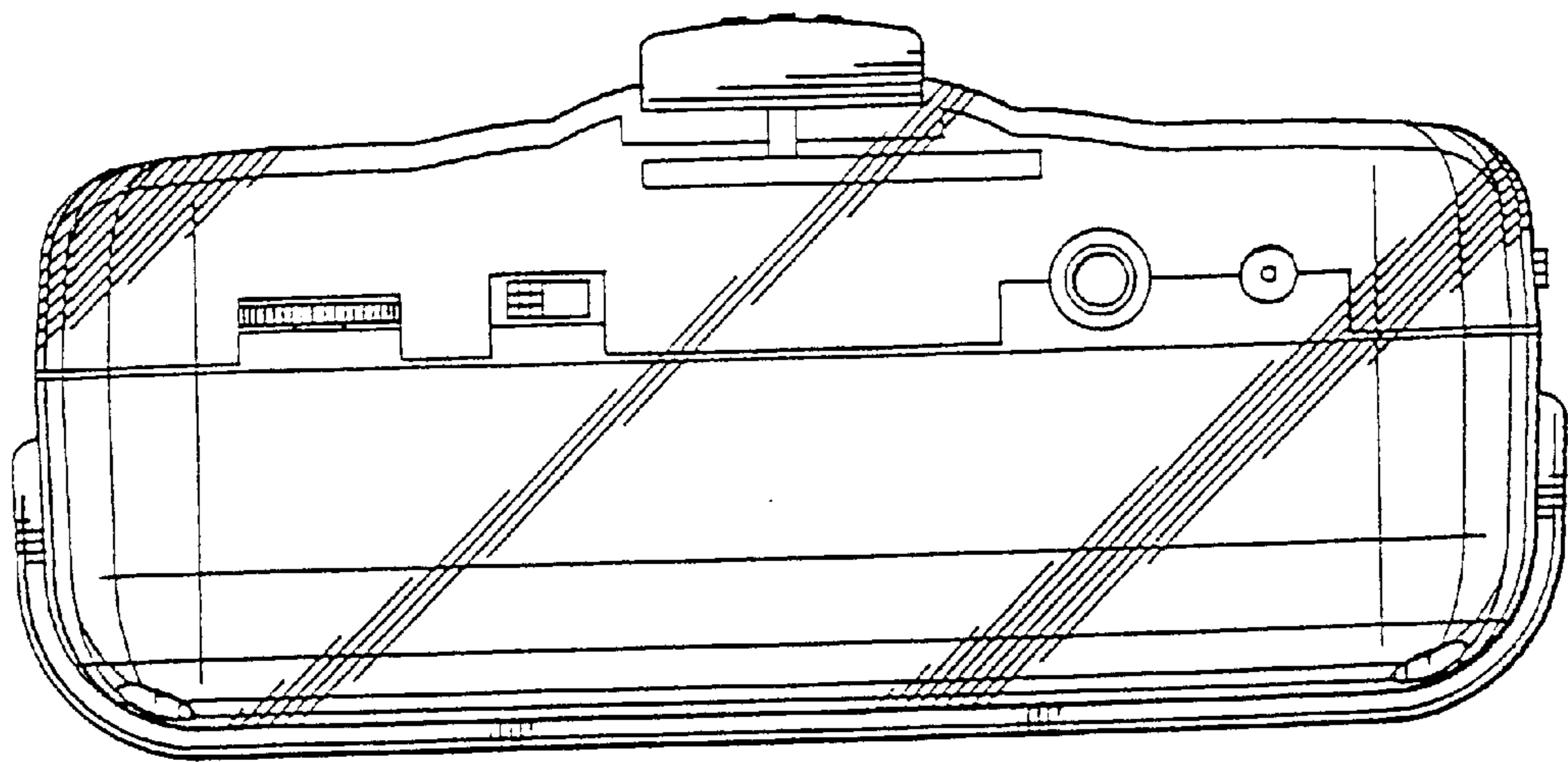


FIG. 7

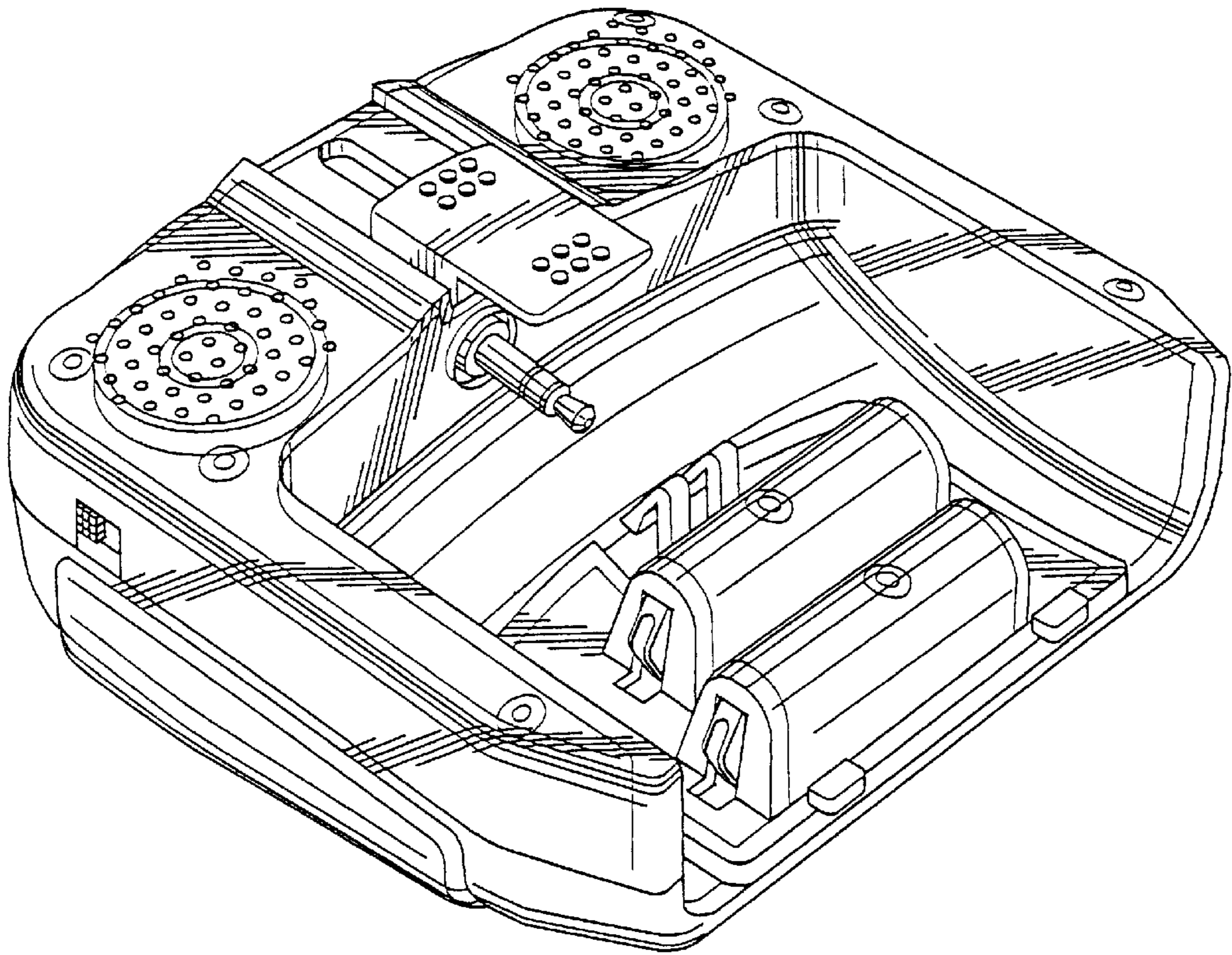


FIG. 8