



US00D424511S

# United States Patent [19] Surridge

[11] **Patent Number: Des. 424,511**

[45] **Date of Patent: \*\* May 9, 2000**

[54] **CUP HOLDER**

[75] Inventor: **David Gayland Surridge**, Garner, N.C.

[73] Assignee: **Deere & Company**, Moline, Ill.

[\*\*] Term: **14 Years**

[21] Appl. No.: **29/105,296**

[22] Filed: **May 21, 1999**

[51] **LOC (7) Cl.** ..... **12-16**

[52] **U.S. Cl.** ..... **D12/419**

[58] **Field of Search** ..... D12/400, 415-419,  
D12/423, 425; 224/536-539, 926; 296/37.1,  
37.6; D7/553.3-553.5, 619-621, 624; D6/531,  
535

[56] **References Cited**

**U.S. PATENT DOCUMENTS**

D. 250,064	10/1978	Monopoli	.....	D12/419
D. 294,136	2/1988	Eide	.....	D12/419
D. 307,355	4/1990	Page, Jr.	.....	D12/419
D. 328,973	9/1992	Mankey	.....	D12/419
D. 388,050	12/1997	Diem	.....	D12/419
D. 396,844	8/1998	Smith	.....	D12/419
D. 413,563	9/1999	Grevenstreter	.....	D12/419

**OTHER PUBLICATIONS**

Toro, Reelmaster 335-D, pp. 1-4, date of publication—1990, published in U.S.A.

Jacobsen Textron, Greens King V, pp. 1-8, date of publication 1996, published in U.S.A.

Jacobsen Textron, Greens King Electric, pp. 1-6, date of publication 1998, published in U.S.A.

*Primary Examiner*—Doris V. Coles

*Assistant Examiner*—Stacia Cadmus

[57] **CLAIM**

The ornamental design for a cup holder, as shown and described.

**DESCRIPTION**

FIG. 1 is an elevated rear perspective view of a cup holder showing our new design, the broken line showing of the vehicle being for illustrative purposes only, and forms no part of the claimed design.

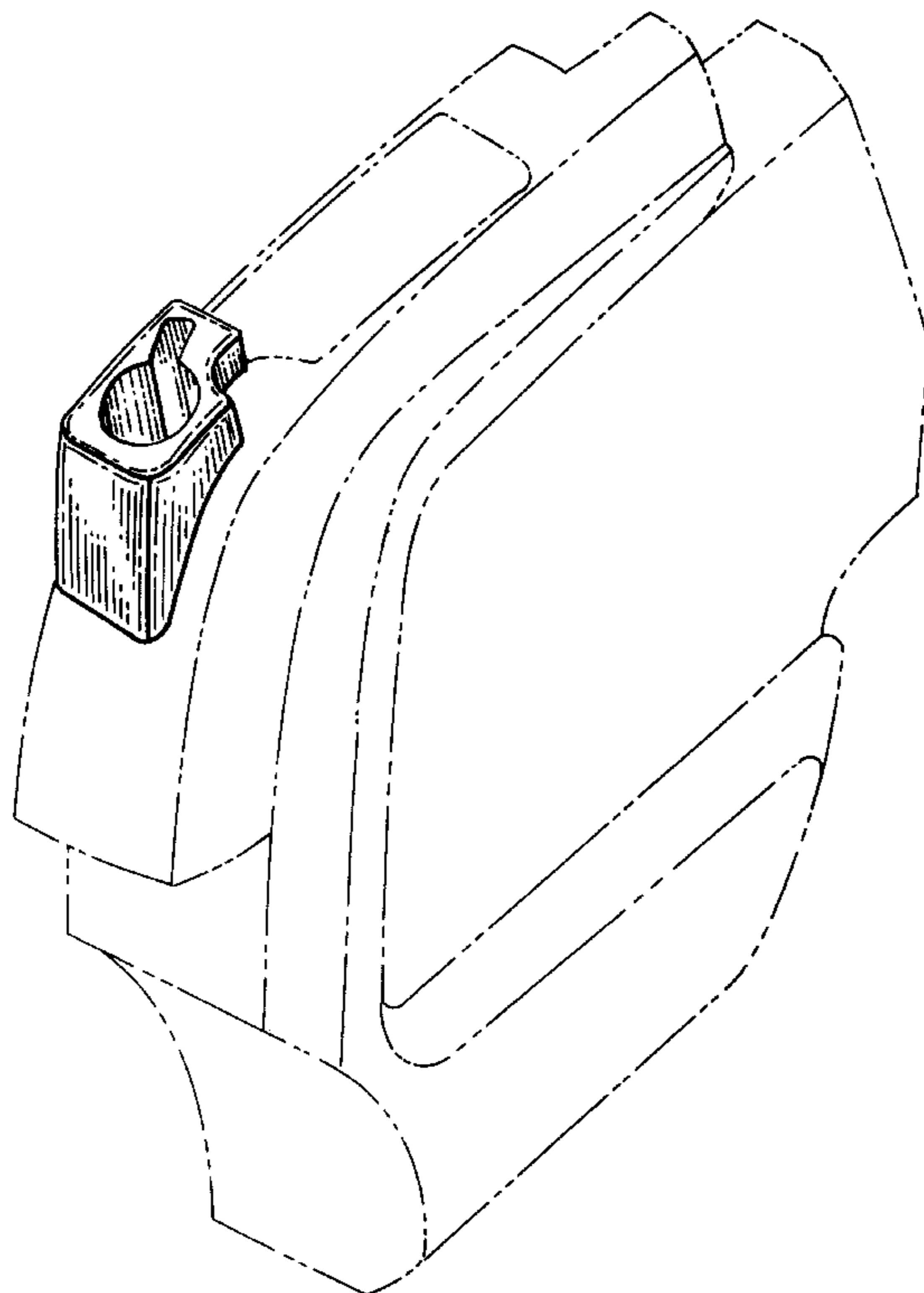
FIG. 2 is an enlarged and elevated right front perspective view of the cup holder design of FIG. 1, the broken line showing of a portion of the vehicle being for illustrative purposes only, and forms no part of the claimed design.

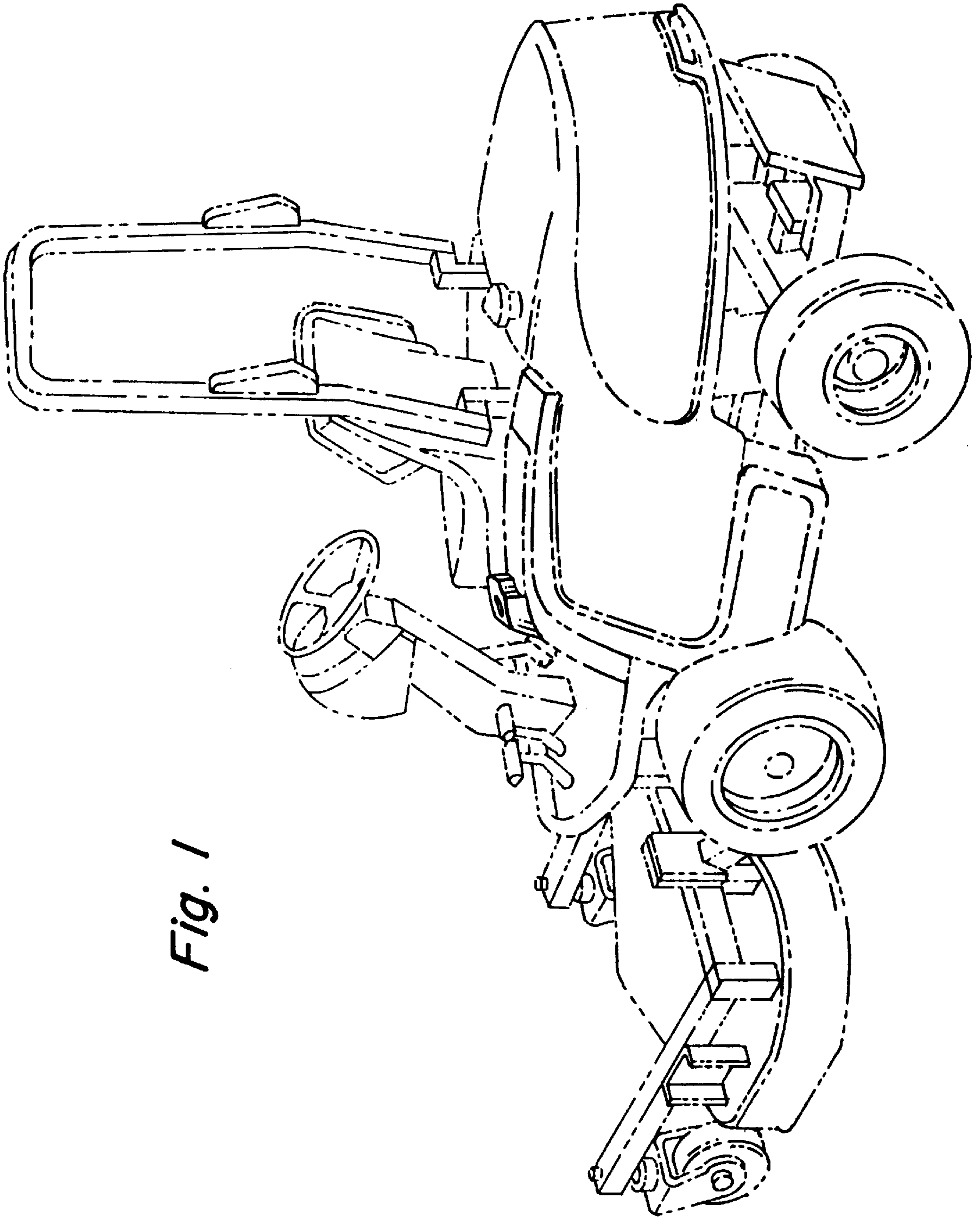
FIG. 3 is an enlarged plan view of the cup holder design of FIG. 1.

FIG. 4 is an enlarged view of the cup holder design of FIG. 1; and,

FIG. 5 is an enlarged front view of the cup holder design of FIG. 1.

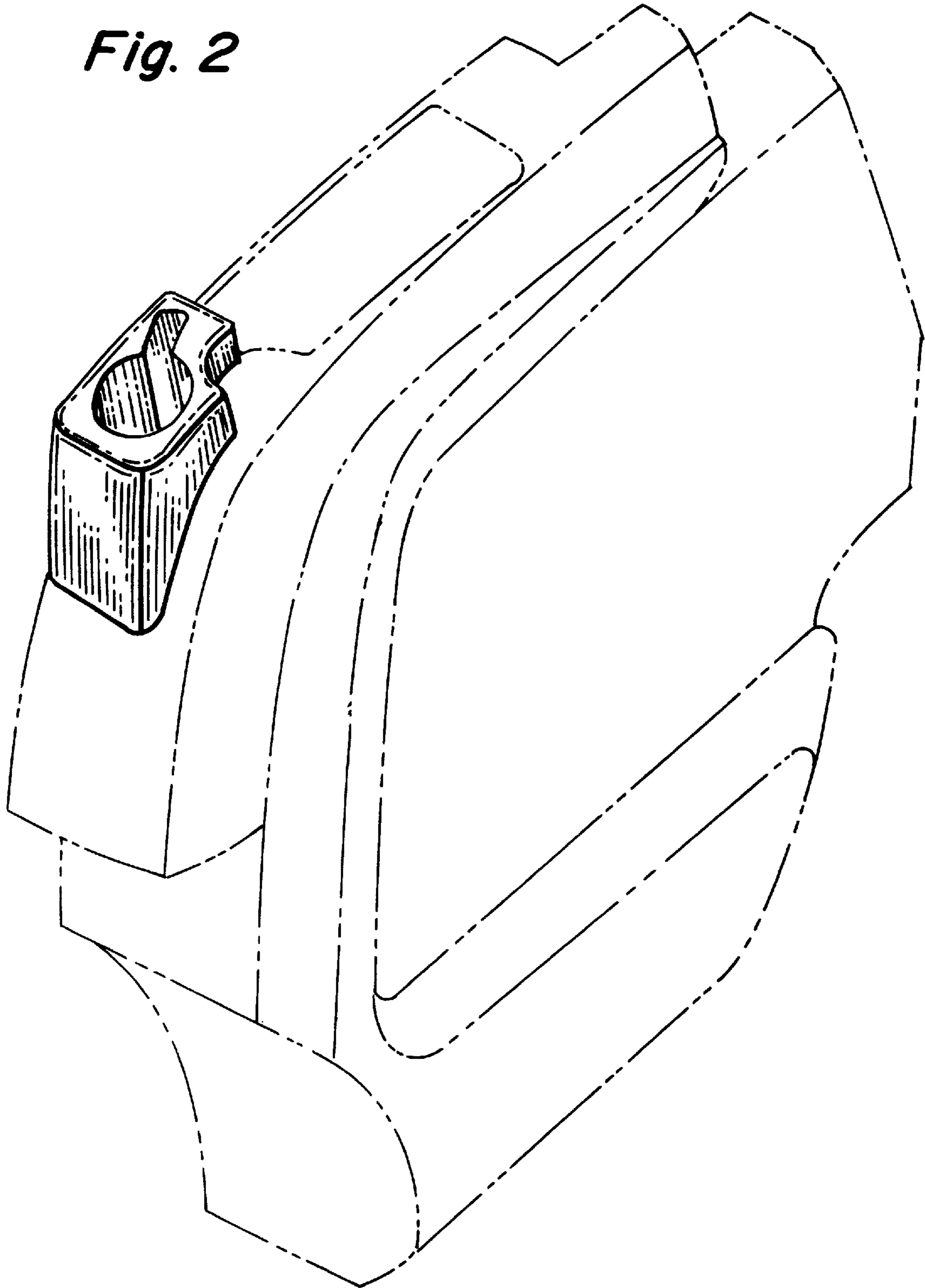
**1 Claim, 3 Drawing Sheets**

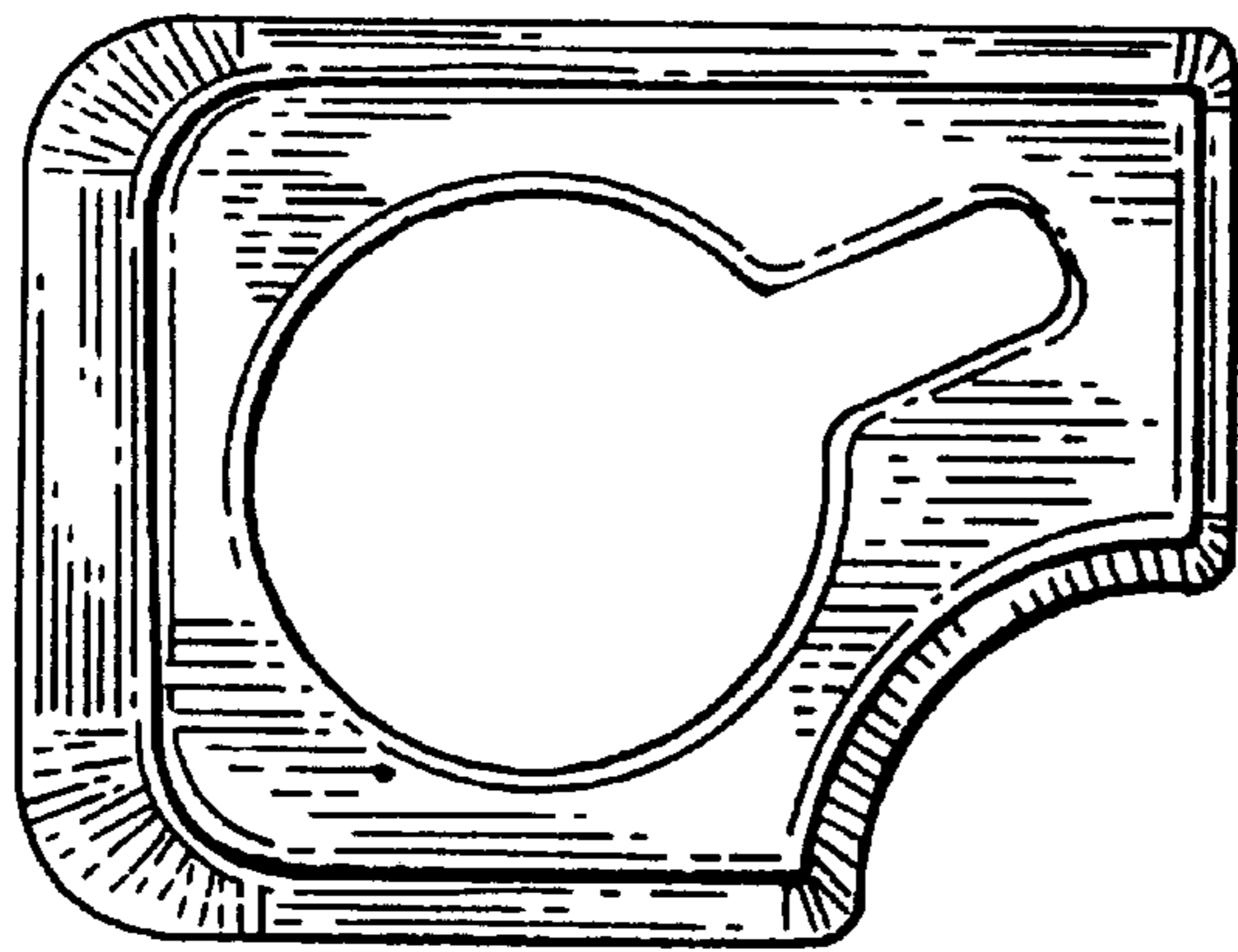




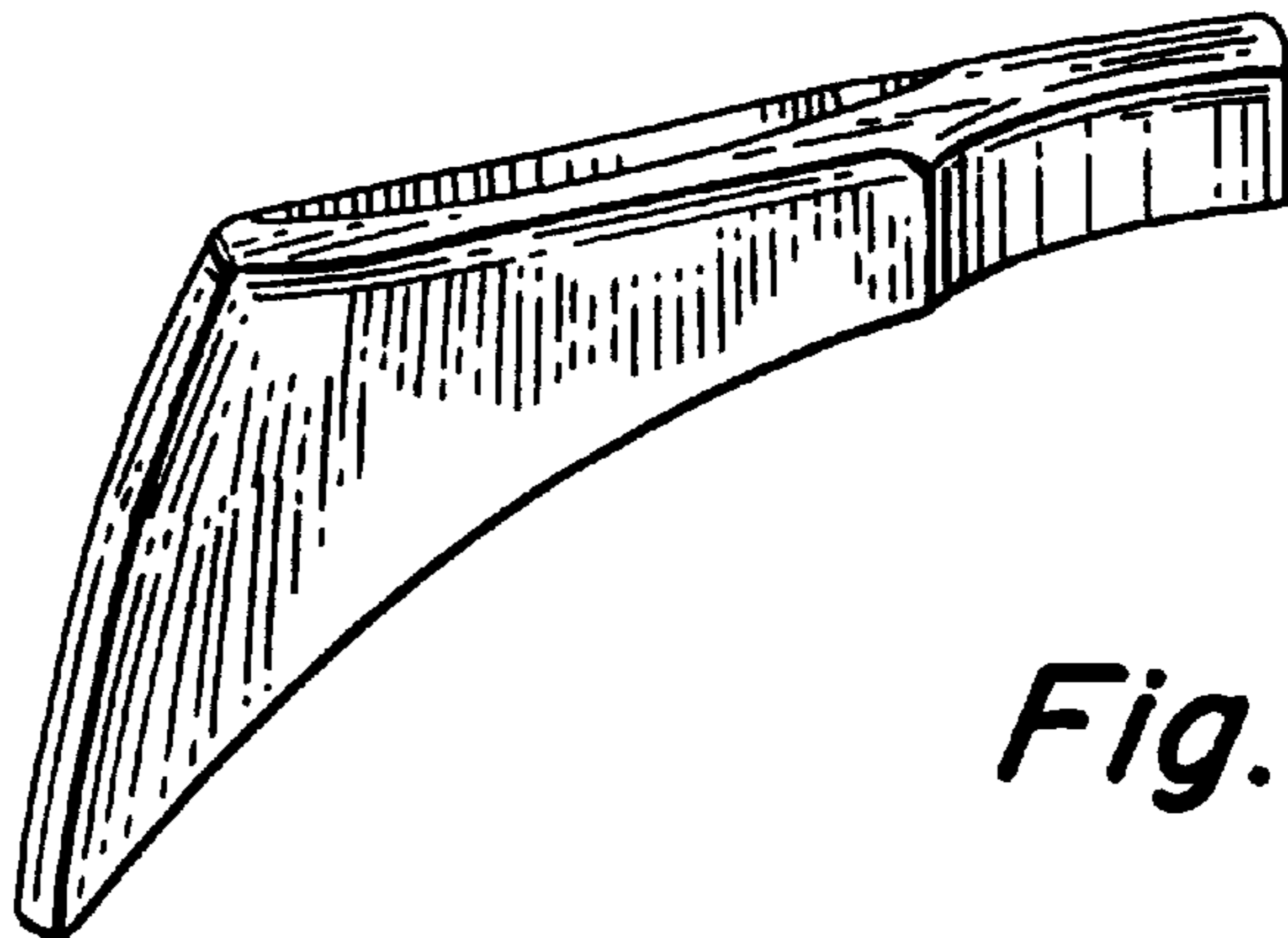
*Fig. 1*

*Fig. 2*

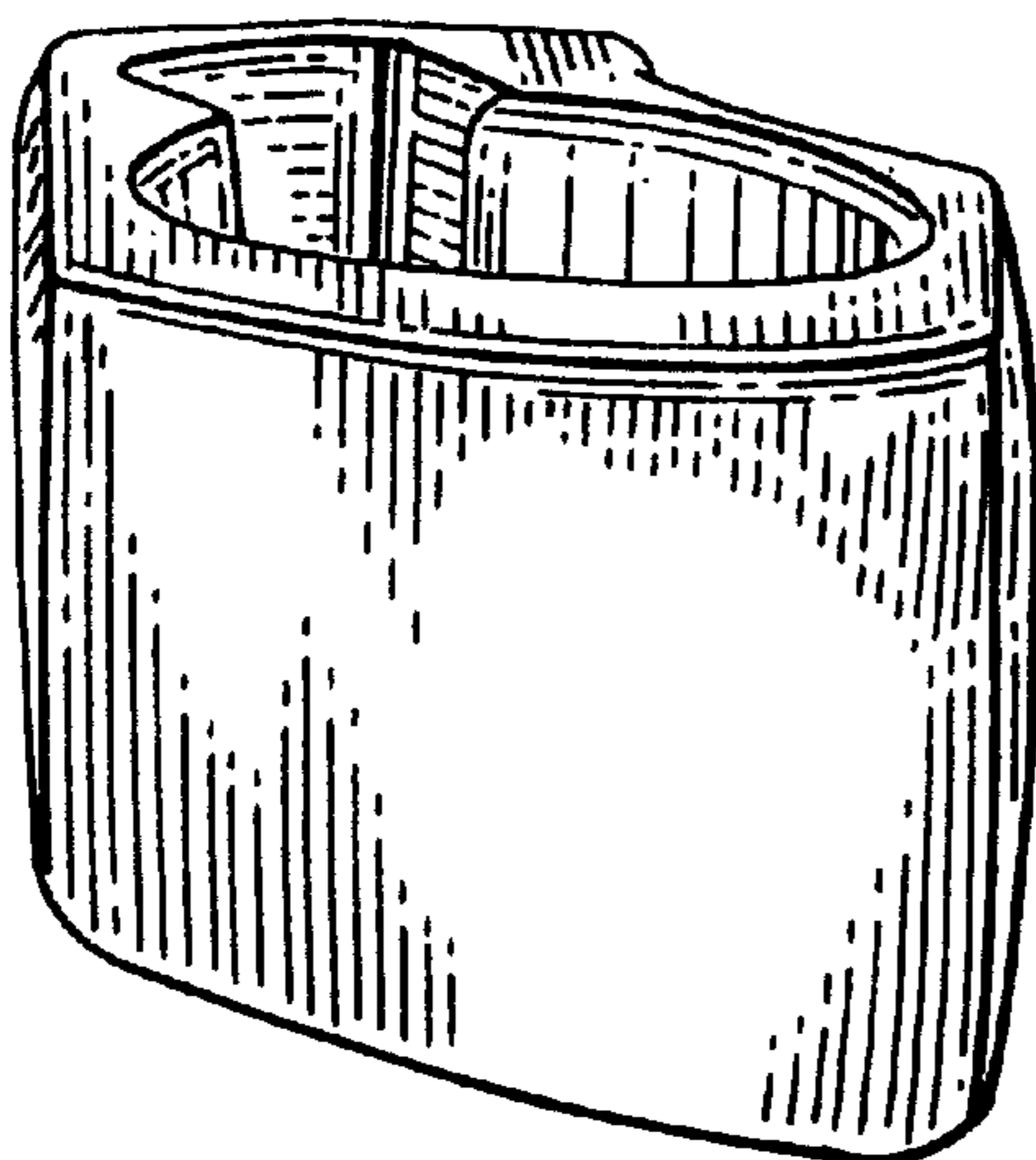




*Fig. 3*



*Fig. 4*



*Fig. 5*