



US00D424510S

# United States Patent [19]

Kilderry et al.

[11] Patent Number: **Des. 424,510**

[45] Date of Patent: **\*\* May 9, 2000**

[54] **VEHICLE BEVERAGE HOLDER**

[76] Inventors: **Michael J Kilderry; Rose R Kilderry; Shirley McKinzie**, all of 727 S. 77th Ter., Kansas City, Kans. 66111

[\*\*] Term: **14 Years**

[21] Appl. No.: **29/096,153**

[22] Filed: **Nov. 5, 1998**

[51] **LOC (7) Cl.** ..... **12-16**

[52] **U.S. Cl.** ..... **D12/411**

[58] **Field of Search** ..... D12/411; D7/622; 248/311.2, 145.6; 224/406, 926

[56] **References Cited**

**U.S. PATENT DOCUMENTS**

- D. 291,168 8/1987 Crawford ..... D7/620
- D. 332,240 1/1993 Selanger et al. .... D12/411
- D. 352,268 11/1994 Kavanaugh ..... D12/411

*Primary Examiner*—Melody N. Brown

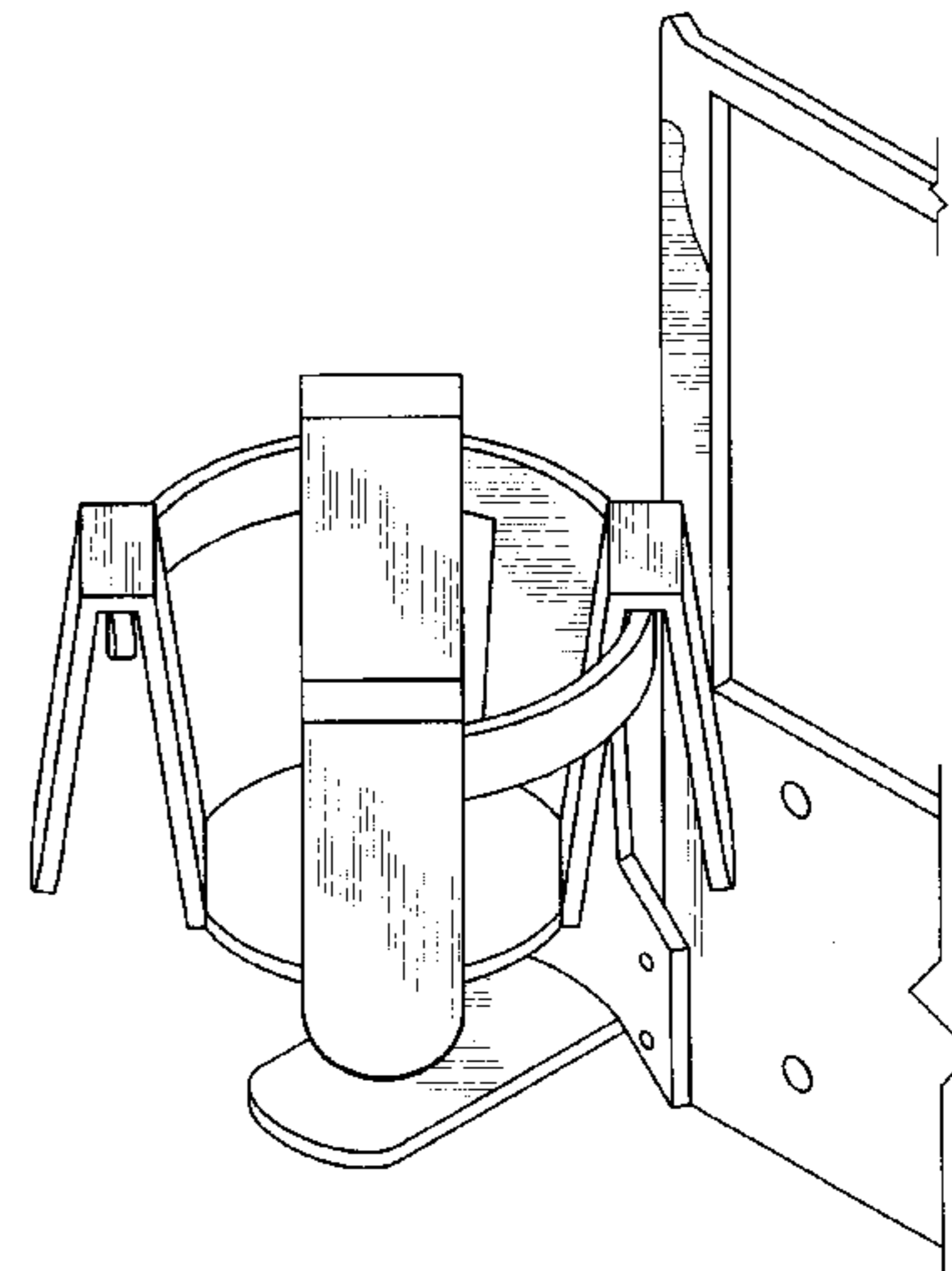
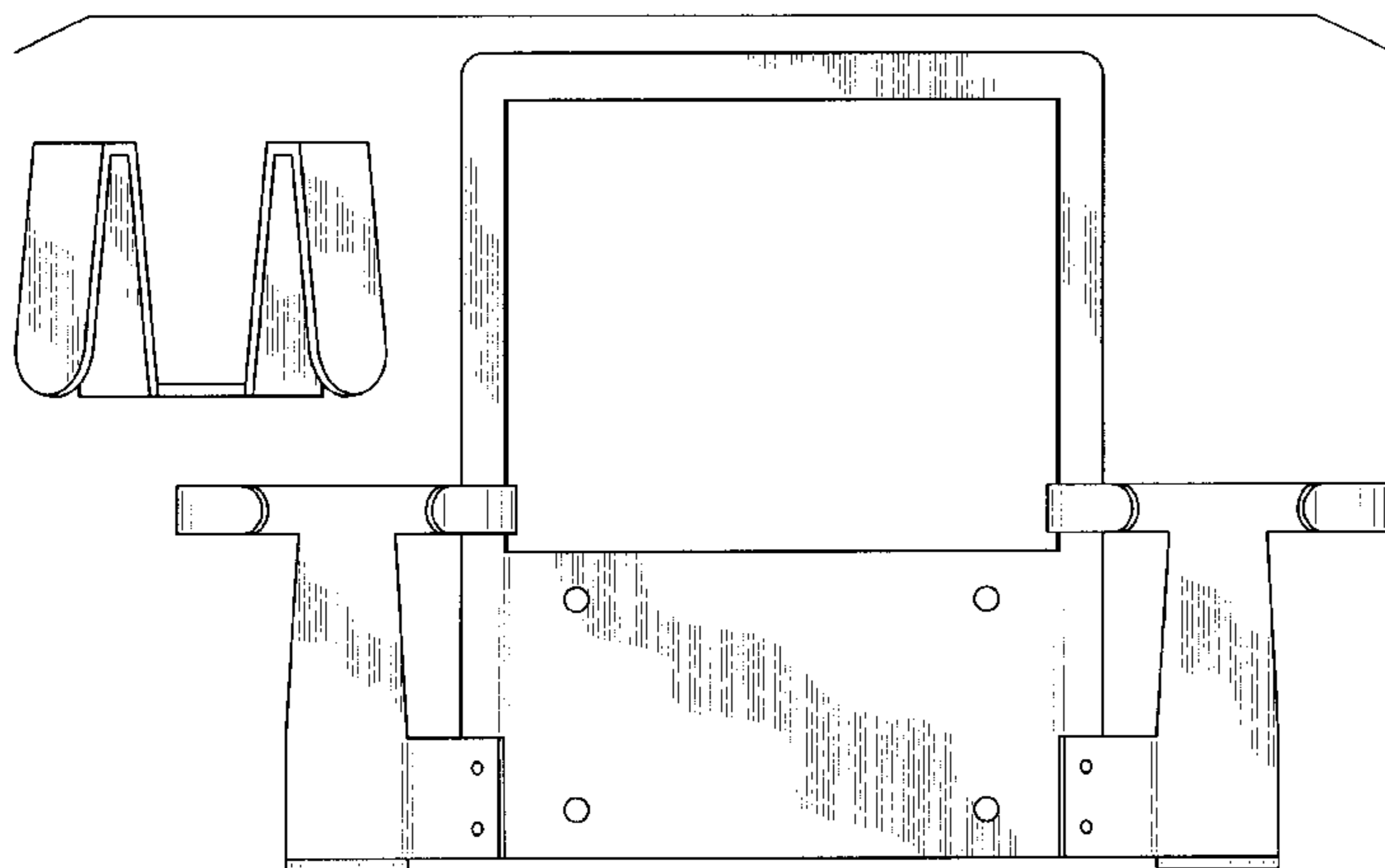
[57] **CLAIM**

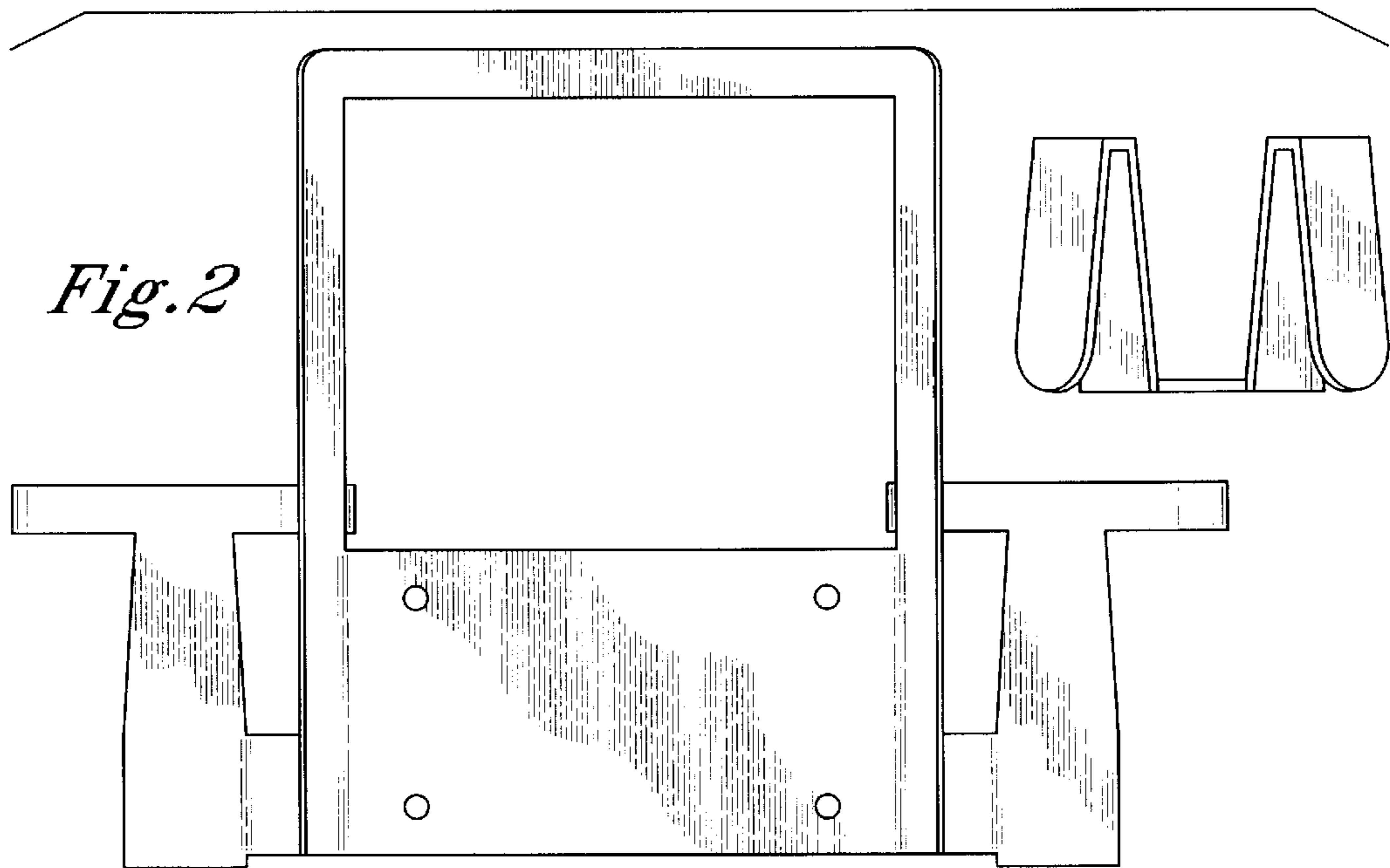
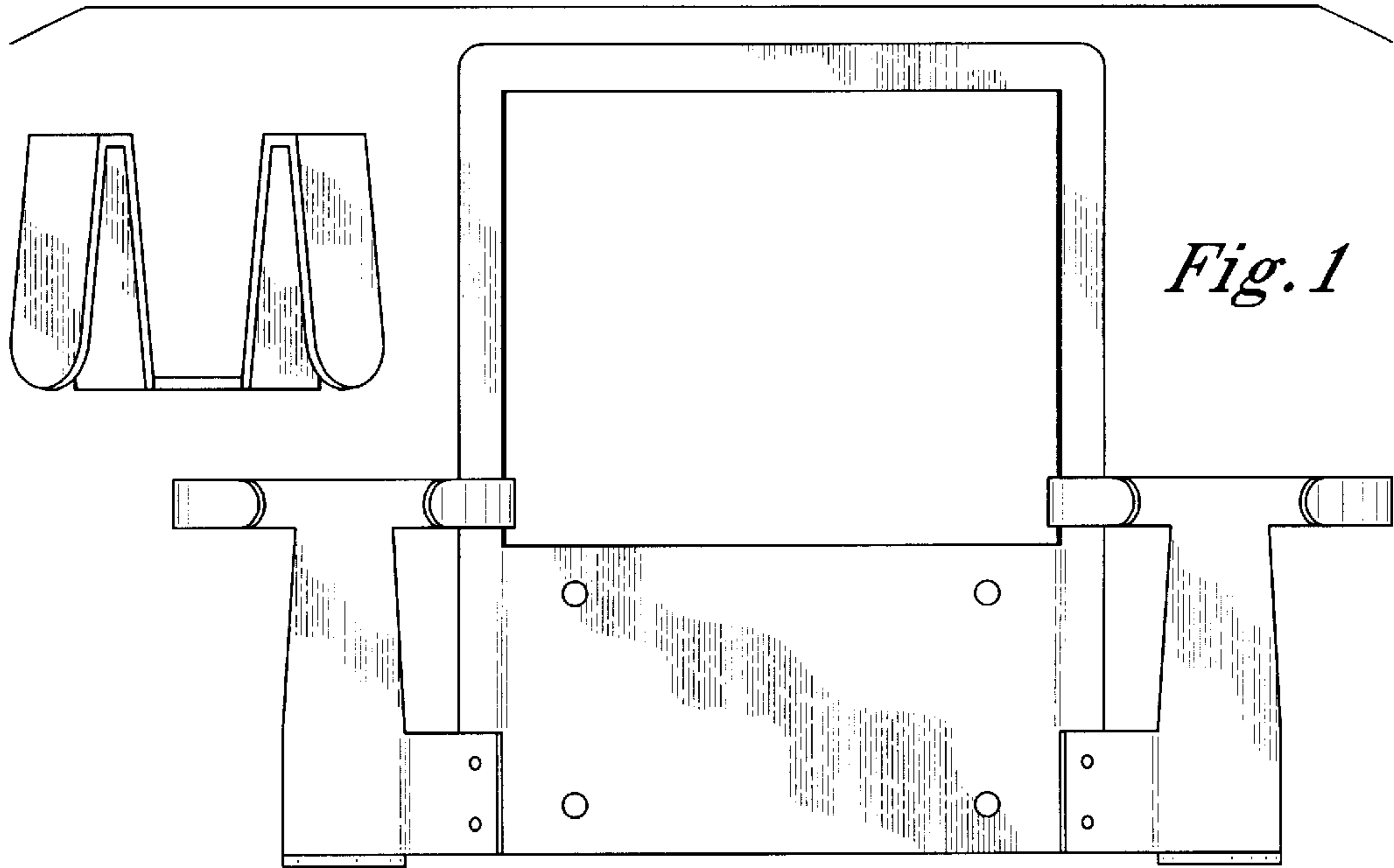
The ornamental design for a vehicle beverage holder, as shown and described.

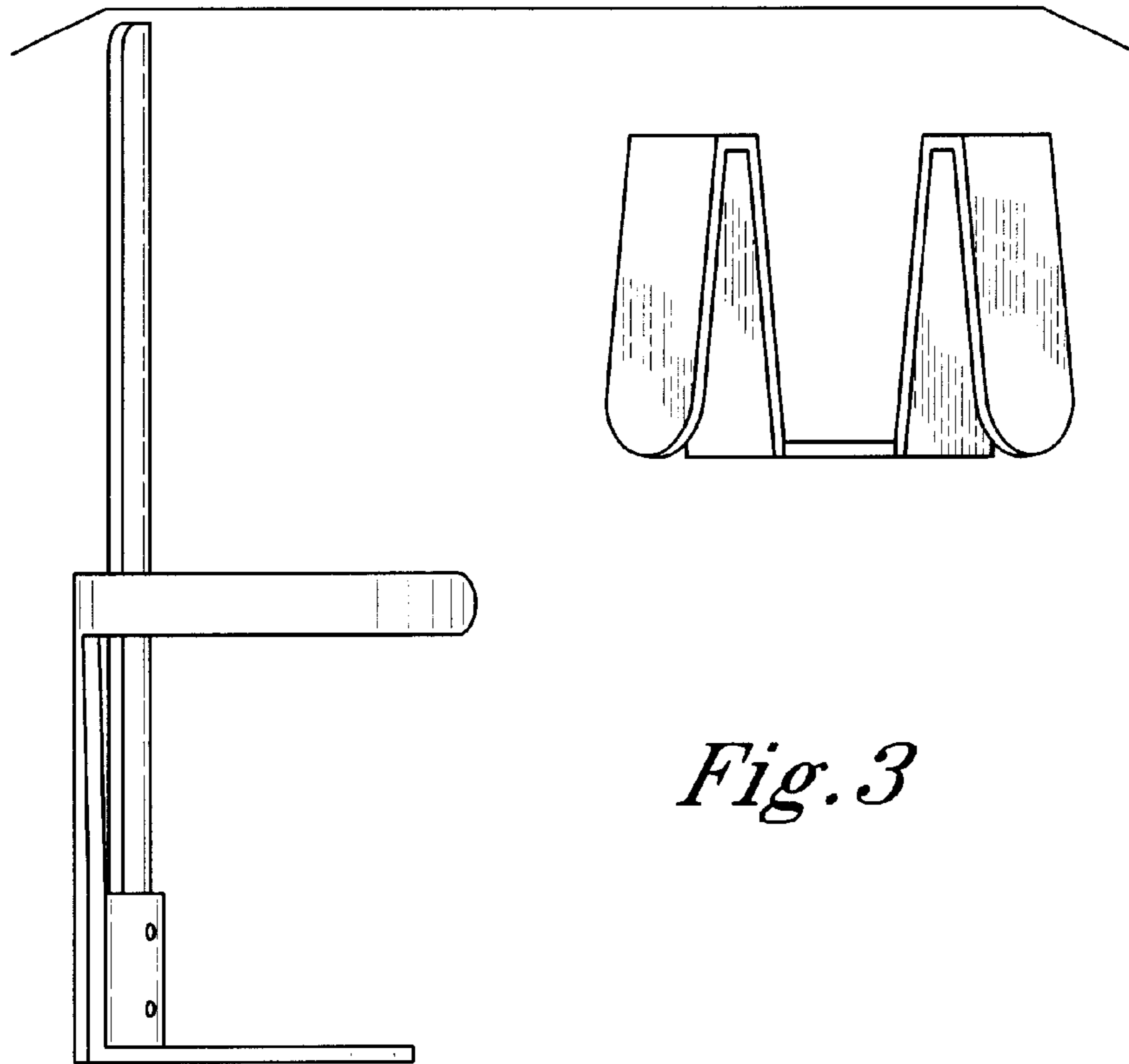
**DESCRIPTION**

FIG. 1 is a front elevational view of the vehicle beverage holder of the present invention;  
 FIG. 2 is a rear elevational view of the vehicle beverage holder of FIG. 1;  
 FIG. 3 is a left side elevational view of the vehicle beverage holder of FIG. 1, the right side elevational view being a mirror image thereof;  
 FIG. 4 is a broken away top, front and right side perspective view of the vehicle beverage holder of FIG. 1 in an alternate position;  
 FIG. 5 is a top plan view of the vehicle beverage holder of FIG. 1; and,  
 FIG. 6 is a bottom plan view of the vehicle beverage holder of FIG. 1.  
 The vehicle beverage holder is shown broken away in FIG. 6 for ease of illustration.

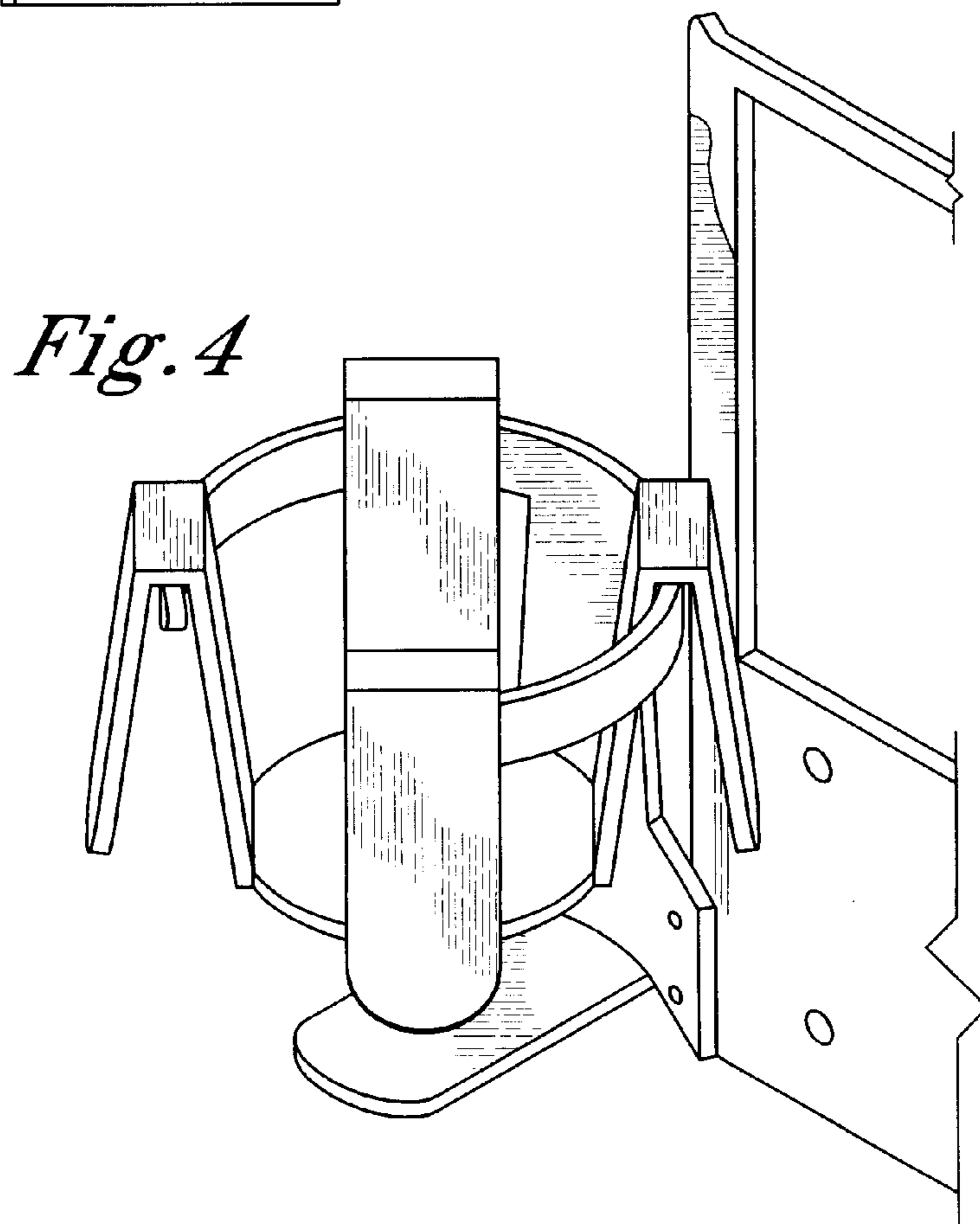
**1 Claim, 3 Drawing Sheets**



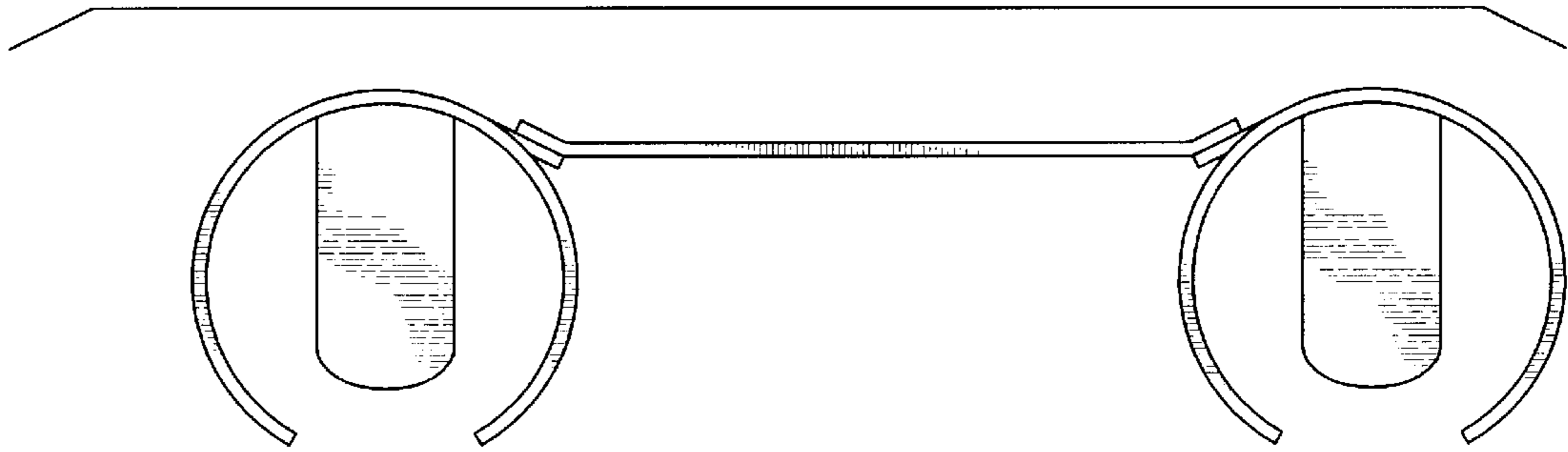




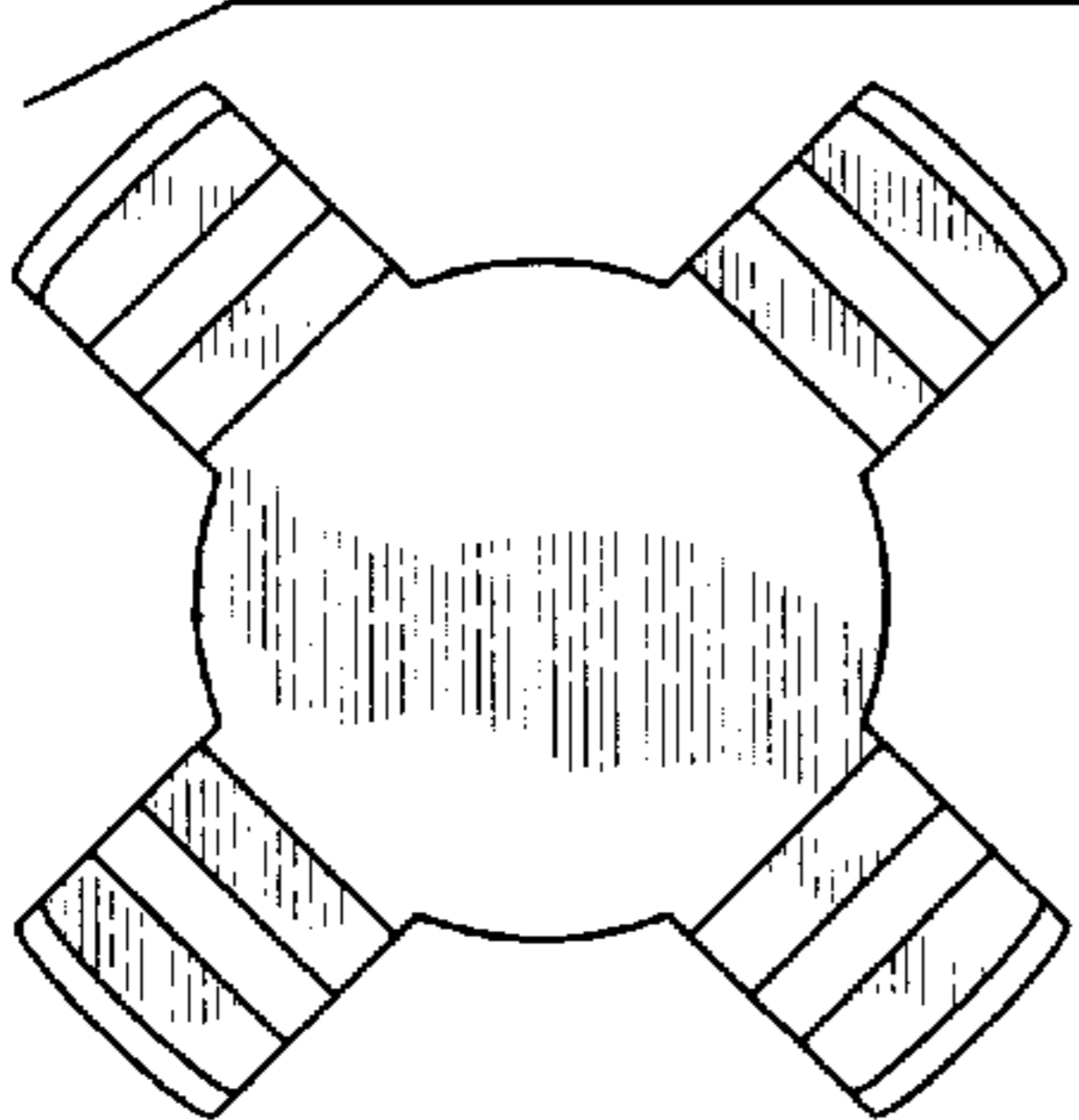
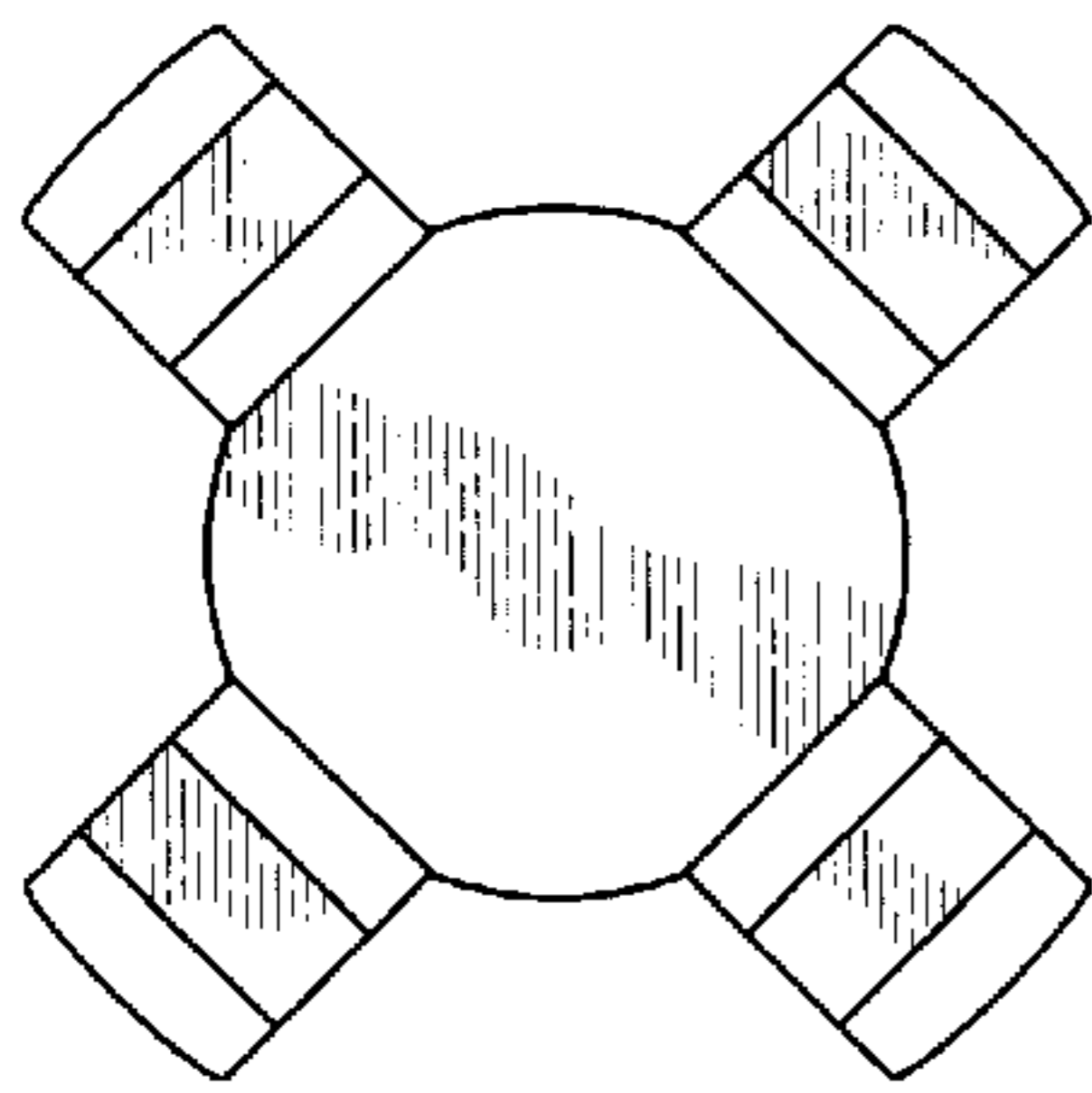
*Fig. 3*



*Fig. 4*



*Fig. 5*



*Fig. 6*

