



US00D424509S

# United States Patent [19] Meyers

[11] **Patent Number: Des. 424,509**

[45] **Date of Patent: \*\* May 9, 2000**

[54] **TRUCK BED COVER**

3,489,456 1/1970 Klanke ..... 296/100

[76] Inventor: **Eugene A. Meyers**, 365 Clarkson Park Dr., St. Charles, Mo. 63303

*Primary Examiner*—Doris V. Coles  
*Assistant Examiner*—Stacia Cadmus  
*Attorney, Agent, or Firm*—Thompson Coburn, LLP; Grant D. Kang

[\*\*] Term: **14 Years**

[21] Appl. No.: **29/078,780**

[57] **CLAIM**

[22] Filed: **Oct. 31, 1997**

I claim the ornamental design for a truck bed cover, as shown.

[51] **LOC (7) Cl.** ..... **12-16**

**DESCRIPTION**

[52] **U.S. Cl.** ..... **D12/401**

[58] **Field of Search** ..... D12/401; 296/98-100; 160/26, 33, 133

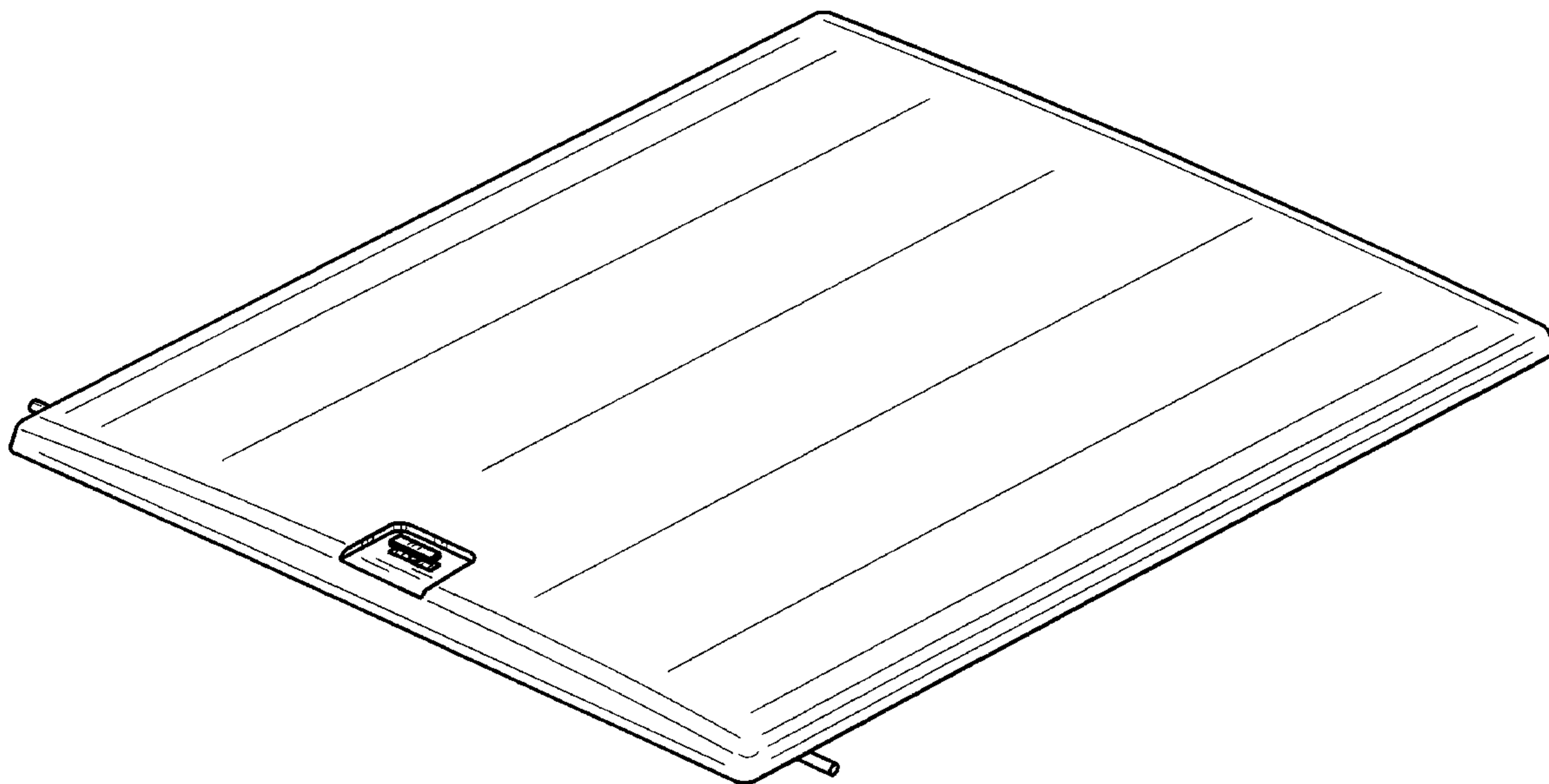
FIG. 1 is a perspective view of the top and sides of a truck bed cover;  
FIG. 2 is a perspective view of the bottom and sides of the truck bed cover;  
FIG. 3 is a front plan view of the truck bed cover;  
FIG. 4 is a right plan view of the truck bed cover;  
FIG. 5 is a rear plan view of the truck bed cover;  
FIG. 6 is a left plan view of the truck bed cover;  
FIG. 7 is a top plan view of the truck bed cover; and,  
FIG. 8 is a bottom plan view of the truck bed cover.

[56] **References Cited**

**U.S. PATENT DOCUMENTS**

D. 224,704	9/1972	Hill	.....	D12/401
D. 310,987	10/1990	Law et al.	.....	D12/401
D. 335,850	5/1993	Cyrson	.....	D12/401
D. 343,602	1/1994	Brown	.....	D12/401
D. 365,080	12/1995	Loughlin	.....	D12/401
D. 403,292	12/1998	Bogard	.....	D12/401

**1 Claim, 5 Drawing Sheets**



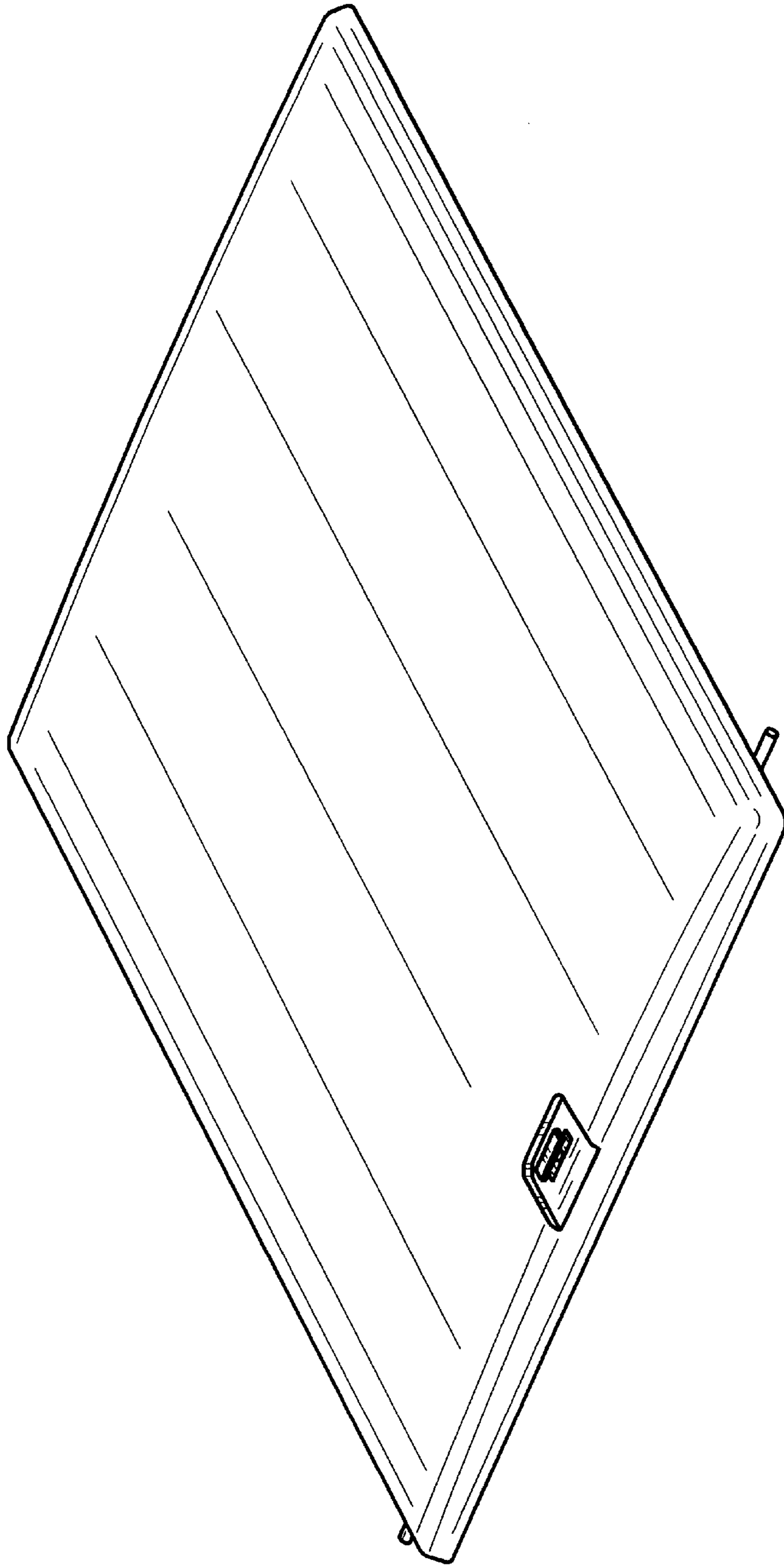


FIG. 1

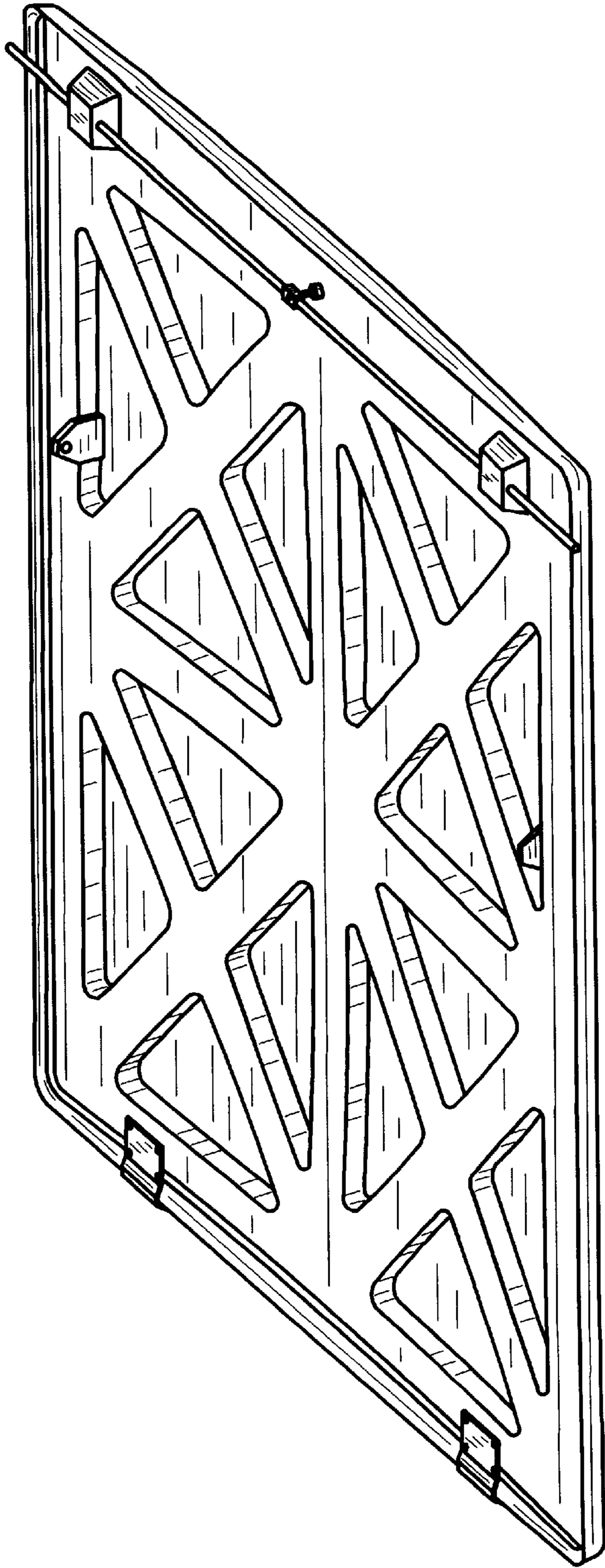


FIG. 2

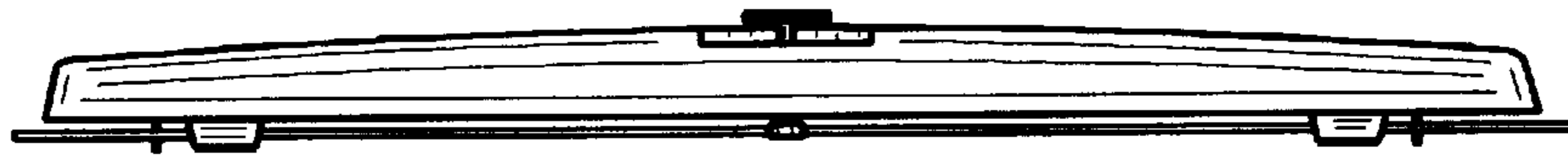


FIG. 3

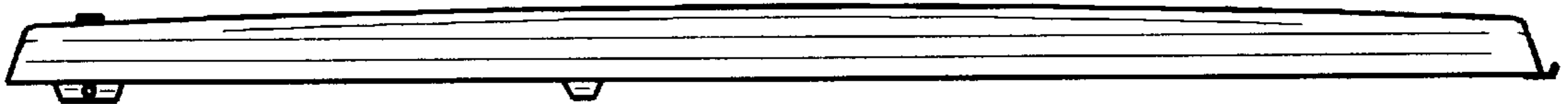


FIG. 4

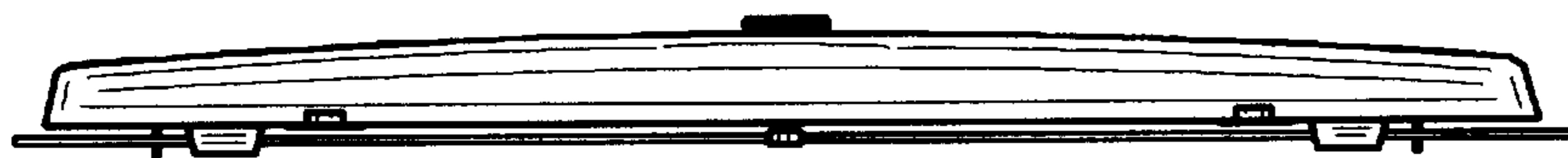


FIG. 5

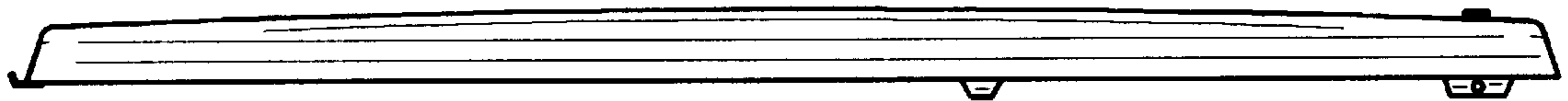


FIG. 6

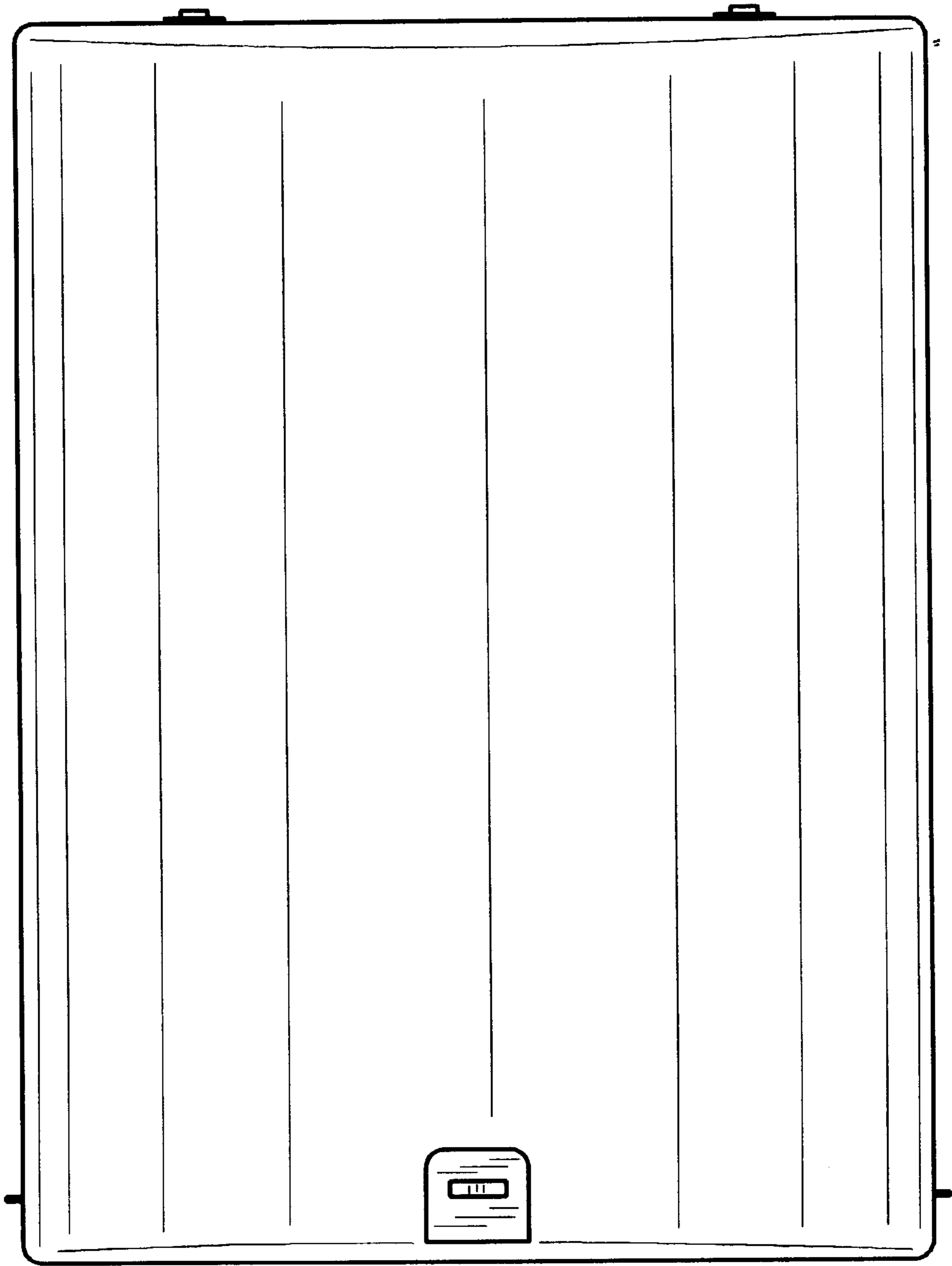


FIG. 7

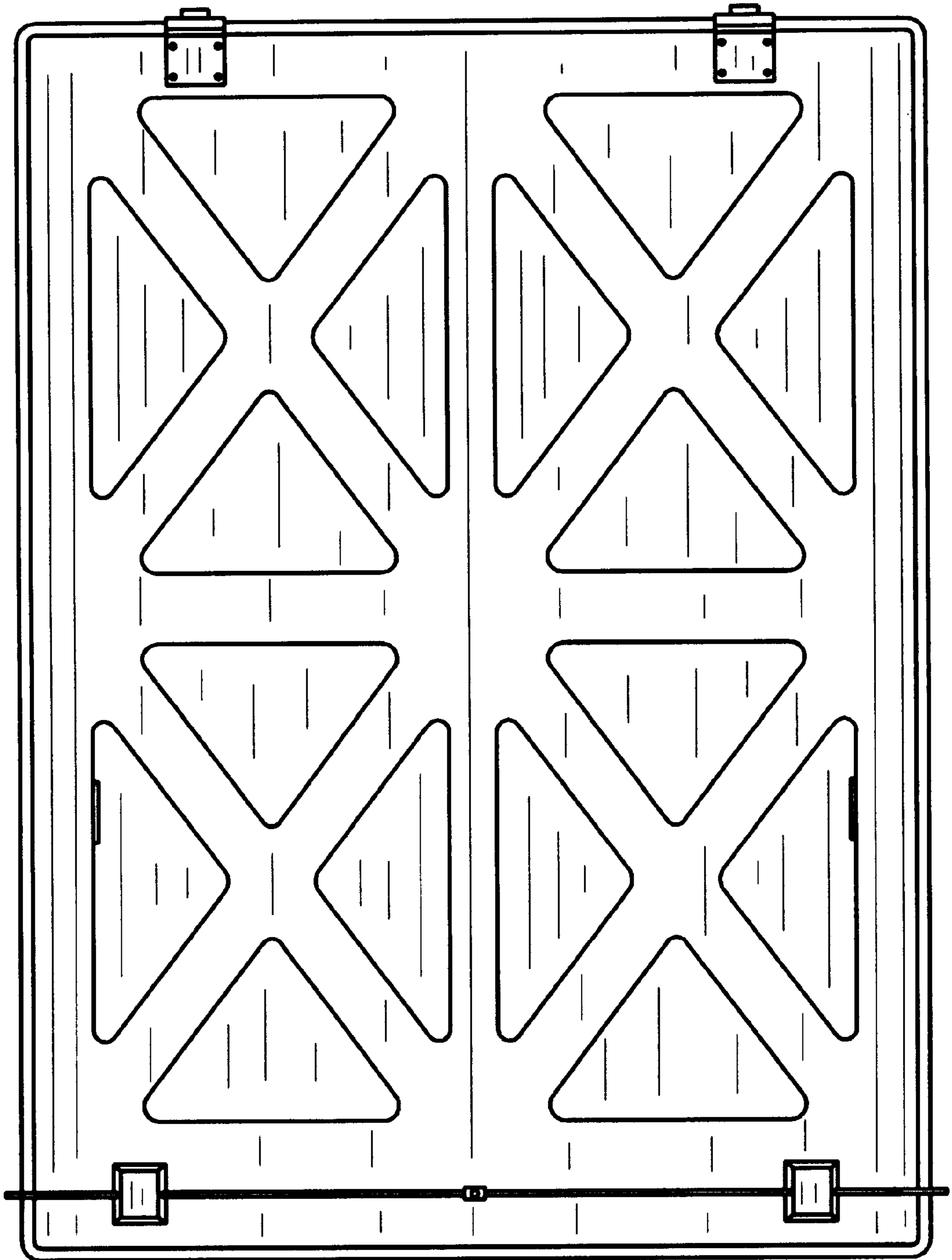


FIG. 8

UNITED STATES PATENT AND TRADEMARK OFFICE  
**CERTIFICATE OF CORRECTION**

PATENT NO. : D424,509  
DATED : May 9, 2000  
INVENTOR(S) : Eugene A Myers

Page 1 of 1

It is certified that error appears in the above-identified patent and that said Letters Patent is hereby corrected as shown below:

Item [76] should read --Inventor Eugene A. Myers

Signed and Sealed this

Third Day of July, 2001

*Nicholas P. Godici*

*Attest:*

*Attesting Officer*

NICHOLAS P. GODICI  
*Acting Director of the United States Patent and Trademark Office*