



US00D424502S

United States Patent [19] Noriega

[11] Patent Number: Des. 424,502

[45] Date of Patent: ** May 9, 2000

[54] **SPINNER FOR WHEELS**

[76] Inventor: **Frank Noriega**, 9246 Claymore St.,
Pico Rivera, Calif. 90660

[**] Term: **14 Years**

[21] Appl. No.: **29/102,362**

[22] Filed: **Mar. 23, 1999**

[51] **LOC (7) Cl.** **12-16**

[52] **U.S. Cl.** **D12/213**

[58] **Field of Search** D12/209, 213;
301/37.1-37.6, 37.42, 108.1, 108.5

[56] **References Cited**

U.S. PATENT DOCUMENTS

D. 362,233	9/1995	Miansian	D12/213
D. 366,442	1/1996	Marchisset	D12/213
D. 370,198	5/1996	Starr, Sr. et al.	D12/213
D. 372,451	8/1996	Miansian	D12/213
D. 373,103	8/1996	Miansian	D12/213
D. 378,999	4/1997	Thomas	D12/213
D. 379,080	5/1997	Choi	D12/213
D. 379,959	6/1997	Miansian	D12/213
D. 380,185	6/1997	Miansian	D12/213
D. 385,247	10/1997	Miansian	D12/213

OTHER PUBLICATIONS

J.C. Whitney Catalog, p. 63, See "Swept-Wing-Style Wheel Spinner Sets", Aug. 1995.

Primary Examiner—Doris V. Coles
Assistant Examiner—Stacia Sinuik

[57] **CLAIM**

The ornamental design for a spinner for wheels, as shown and described.

DESCRIPTION

FIG. 1 is a front perspective view of a first embodiment of the spinner for wheels showing my new design, with a flat top and two wings;

FIG. 2 is a top plan view thereof;

FIG. 3 is a front elevational view thereof;

FIG. 4 is a right side elevational view thereof;

FIG. 5 is a front perspective view of a second embodiment of the spinner for wheels showing my new design, with a dome top and two wings;

FIG. 6 is a top plan view thereof;

FIG. 7 is a front elevational view thereof;

FIG. 8 is a right side elevational view thereof;

FIG. 9 is a front perspective view of a third embodiment of the spinner for wheels showing my new design, with a flat top and three wings;

FIG. 10 is a top plan view thereof;

FIG. 11 is a front elevational view thereof;

FIG. 12 is a right side elevational view thereof;

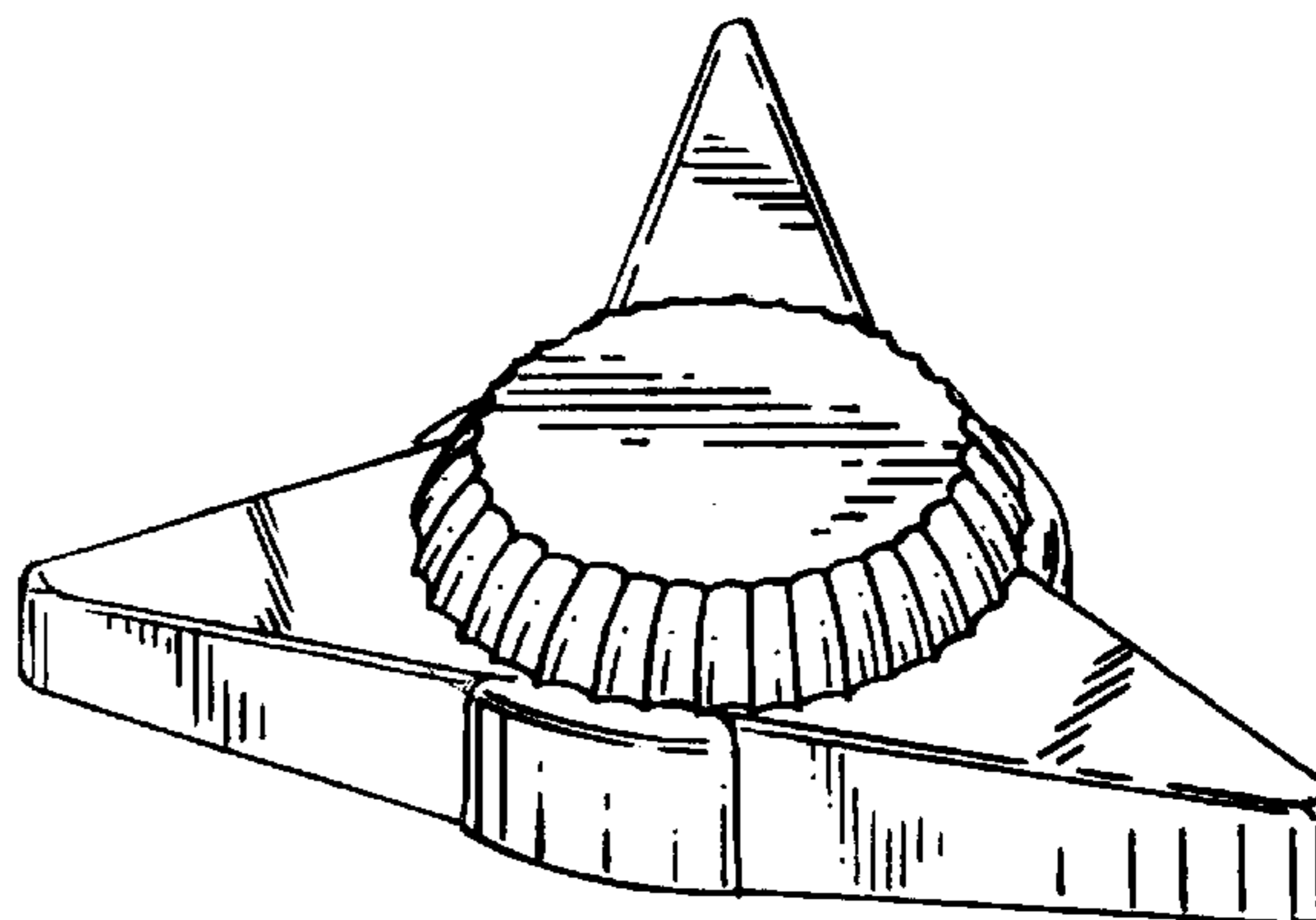
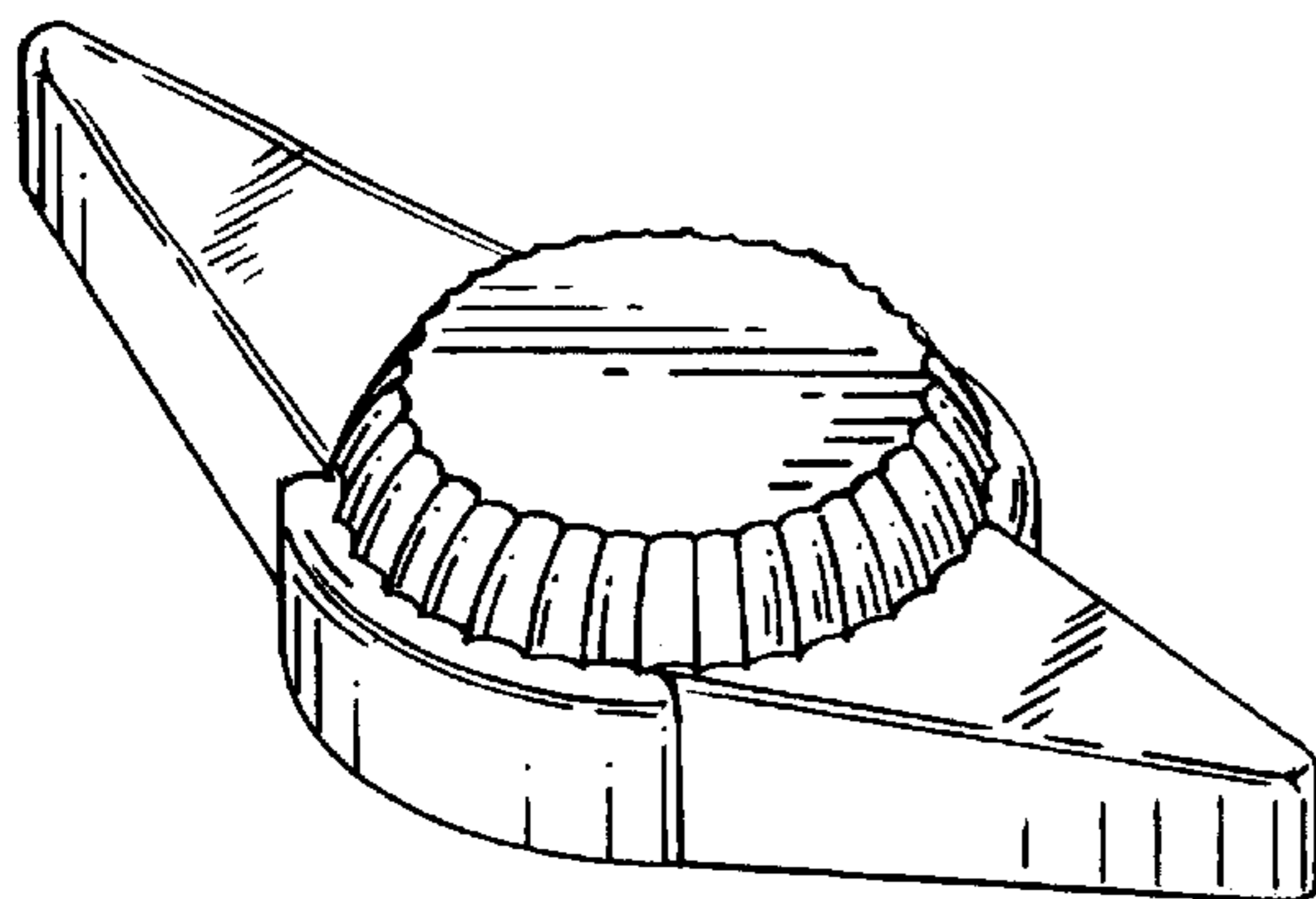
FIG. 13 is a front perspective view of a fourth embodiment of the spinner for wheels showing my new design, with a dome top and three wings;

FIG. 14 is a top plan view thereof;

FIG. 15 is a front elevational view thereof; and,

FIG. 16 is a right side elevational view thereof.

1 Claim, 4 Drawing Sheets



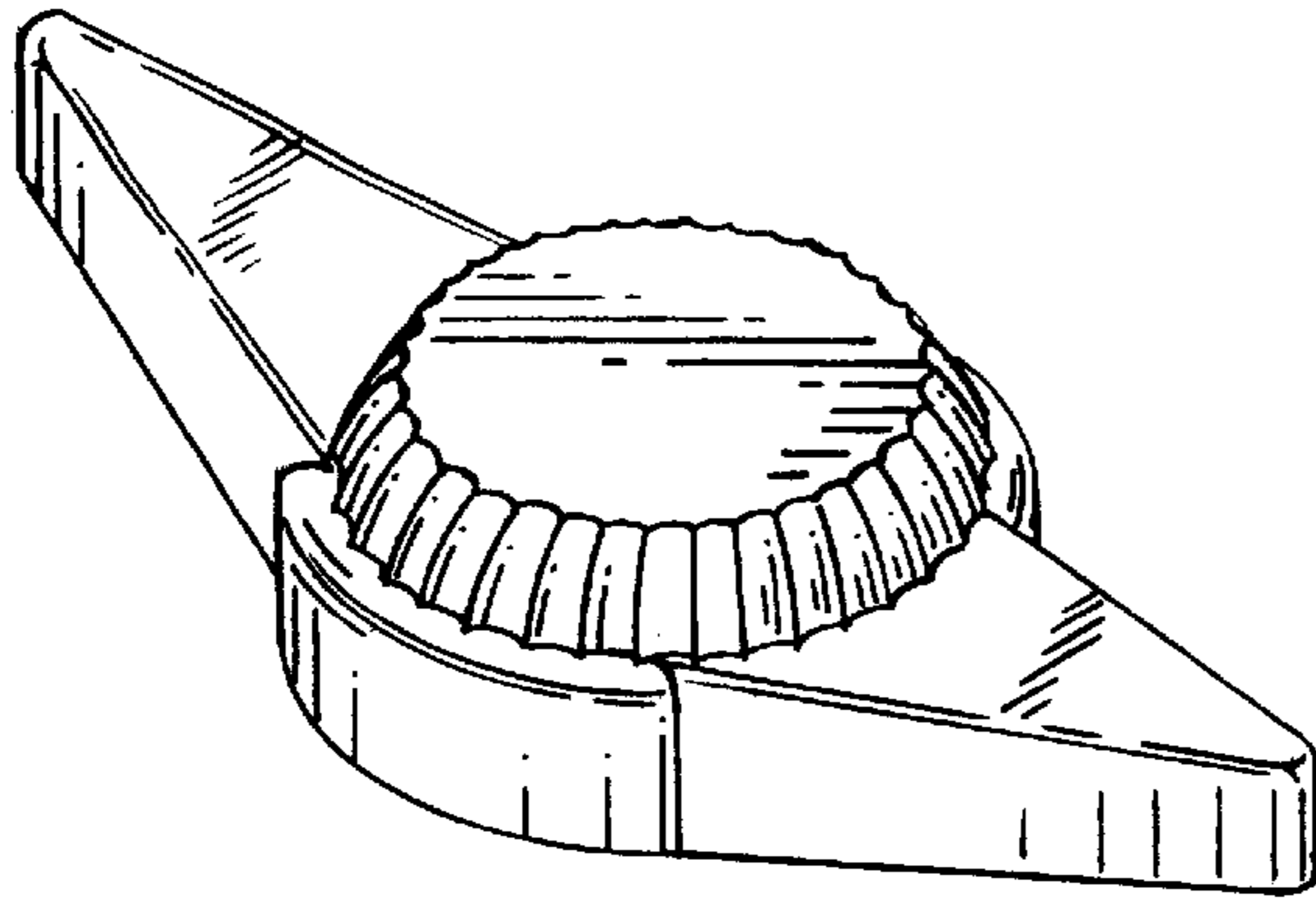


FIG. 1

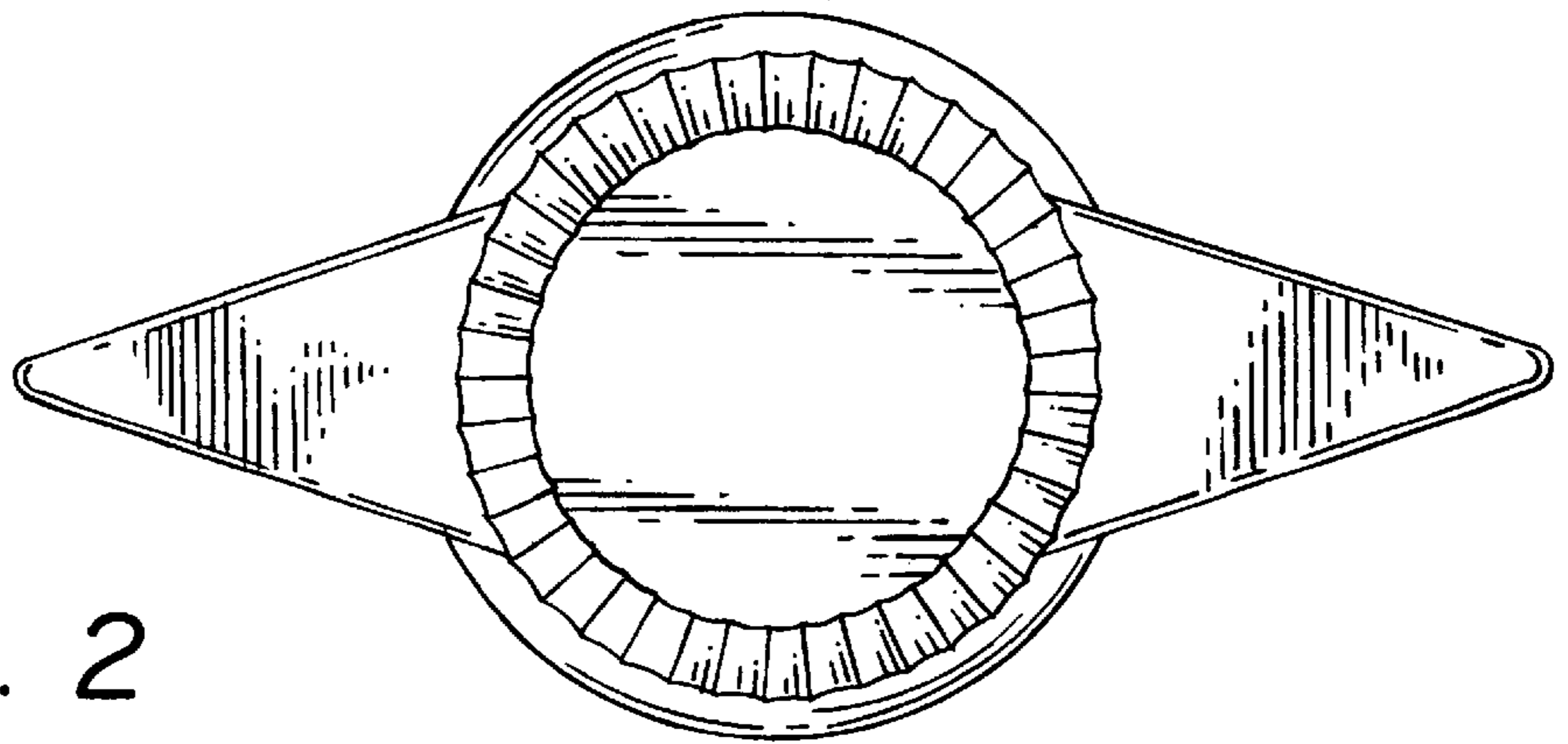


FIG. 2

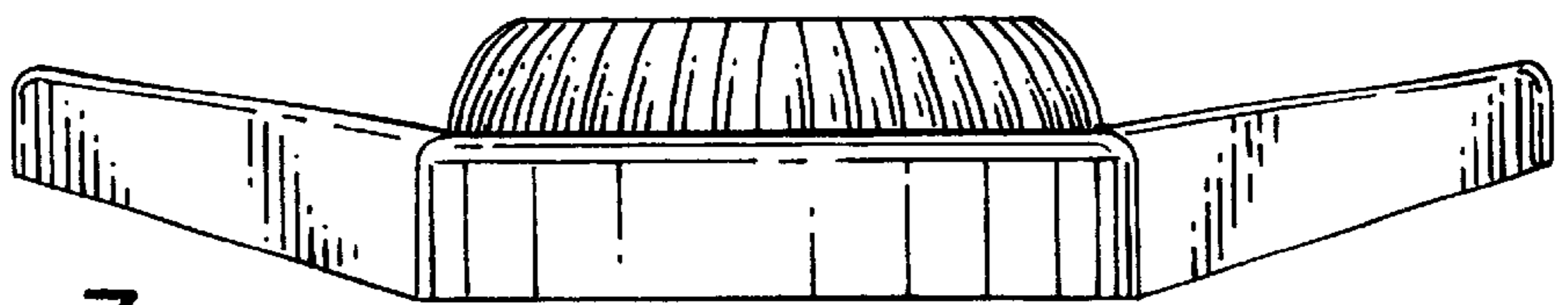


FIG. 3

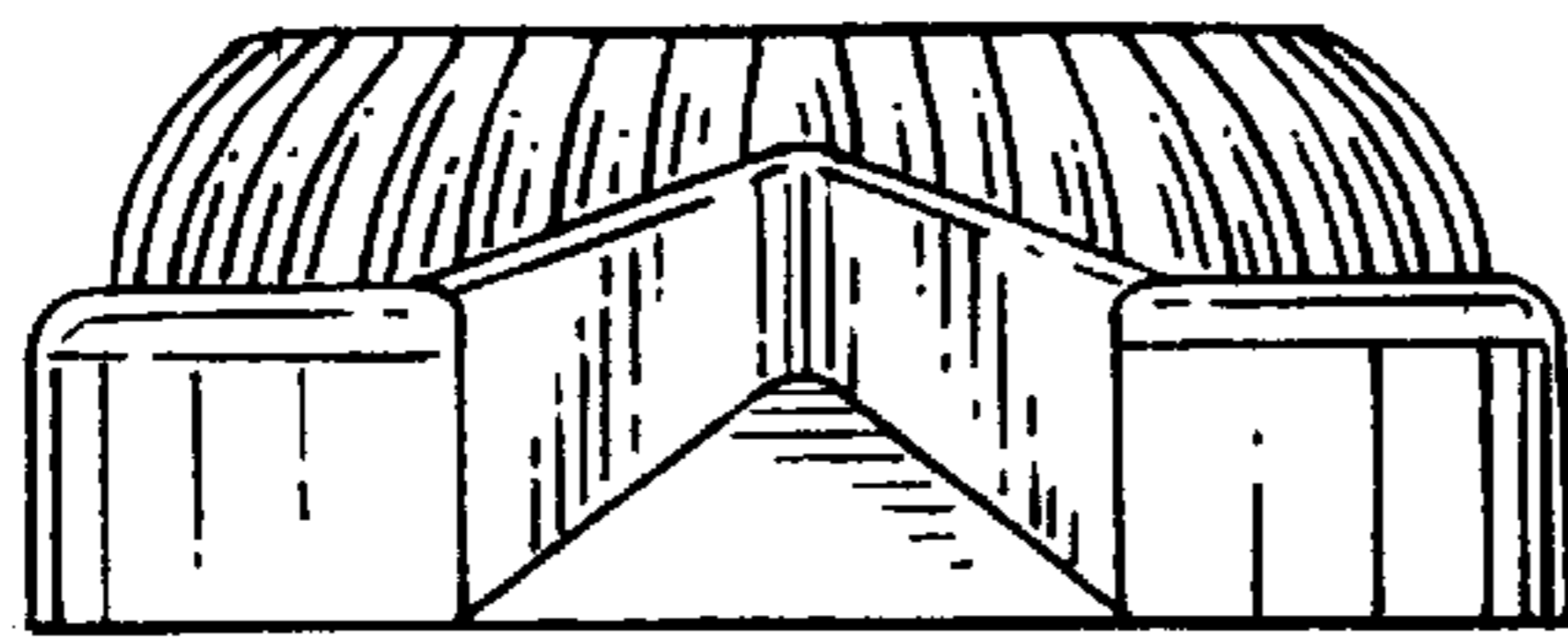


FIG. 4

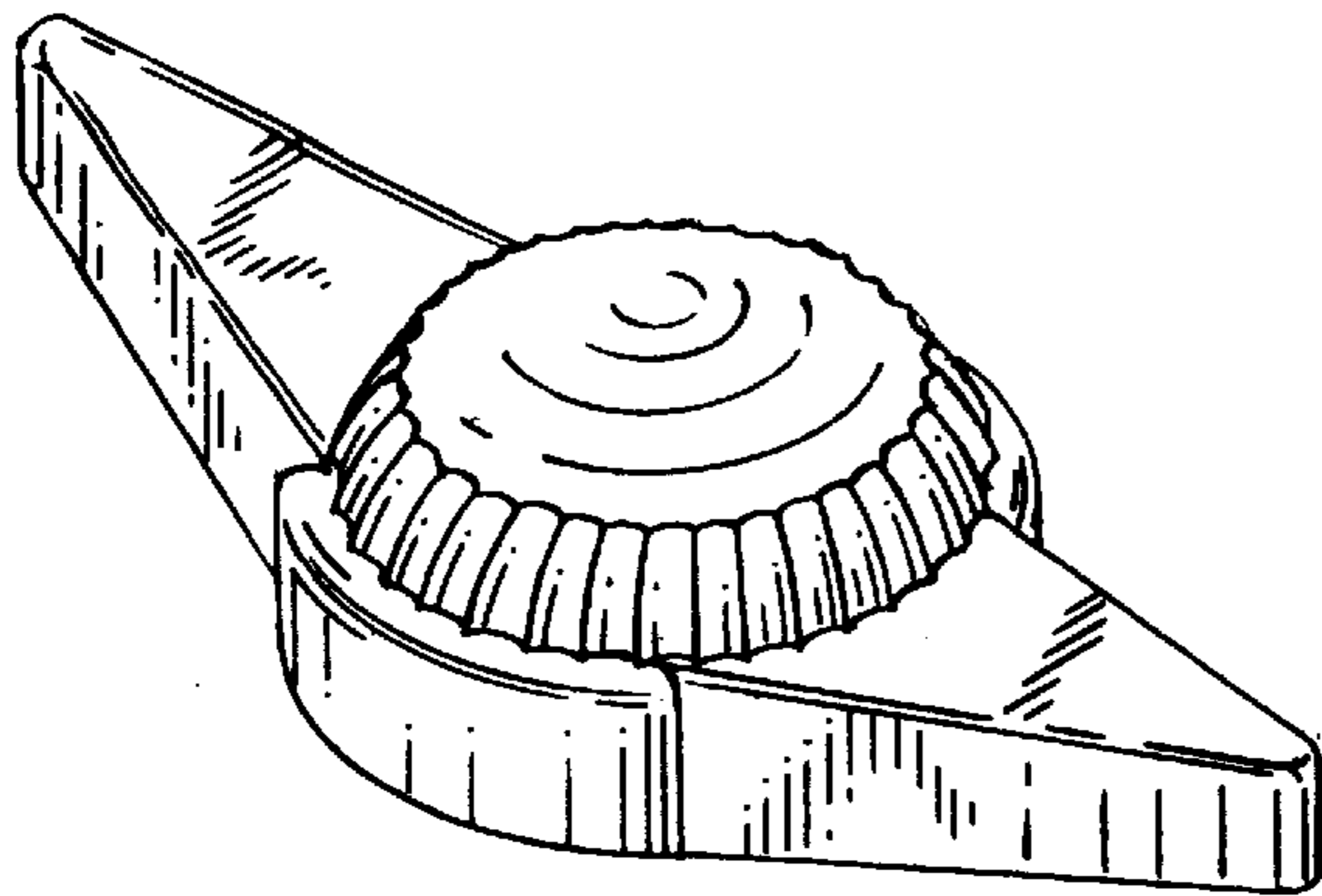


FIG. 5

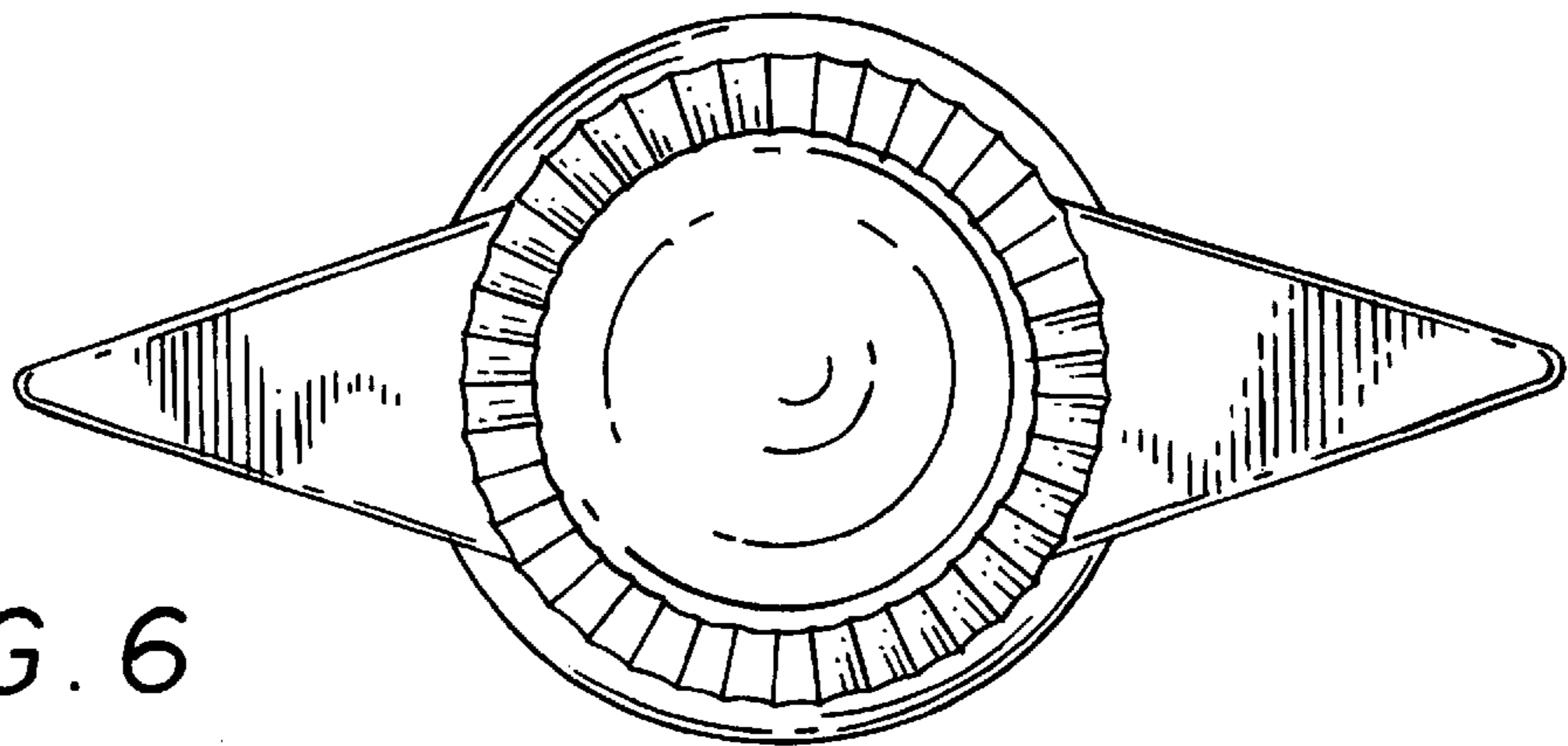


FIG. 6

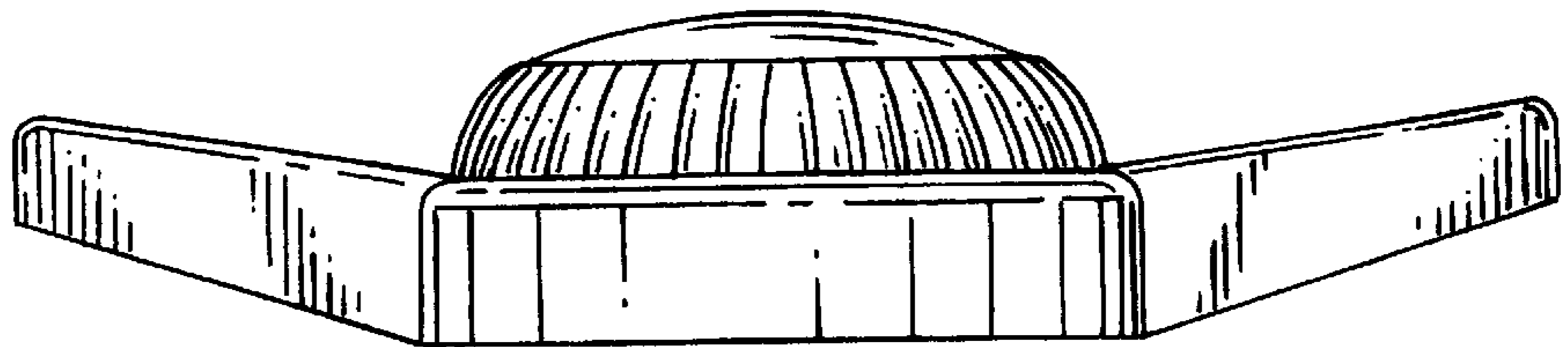


FIG. 7

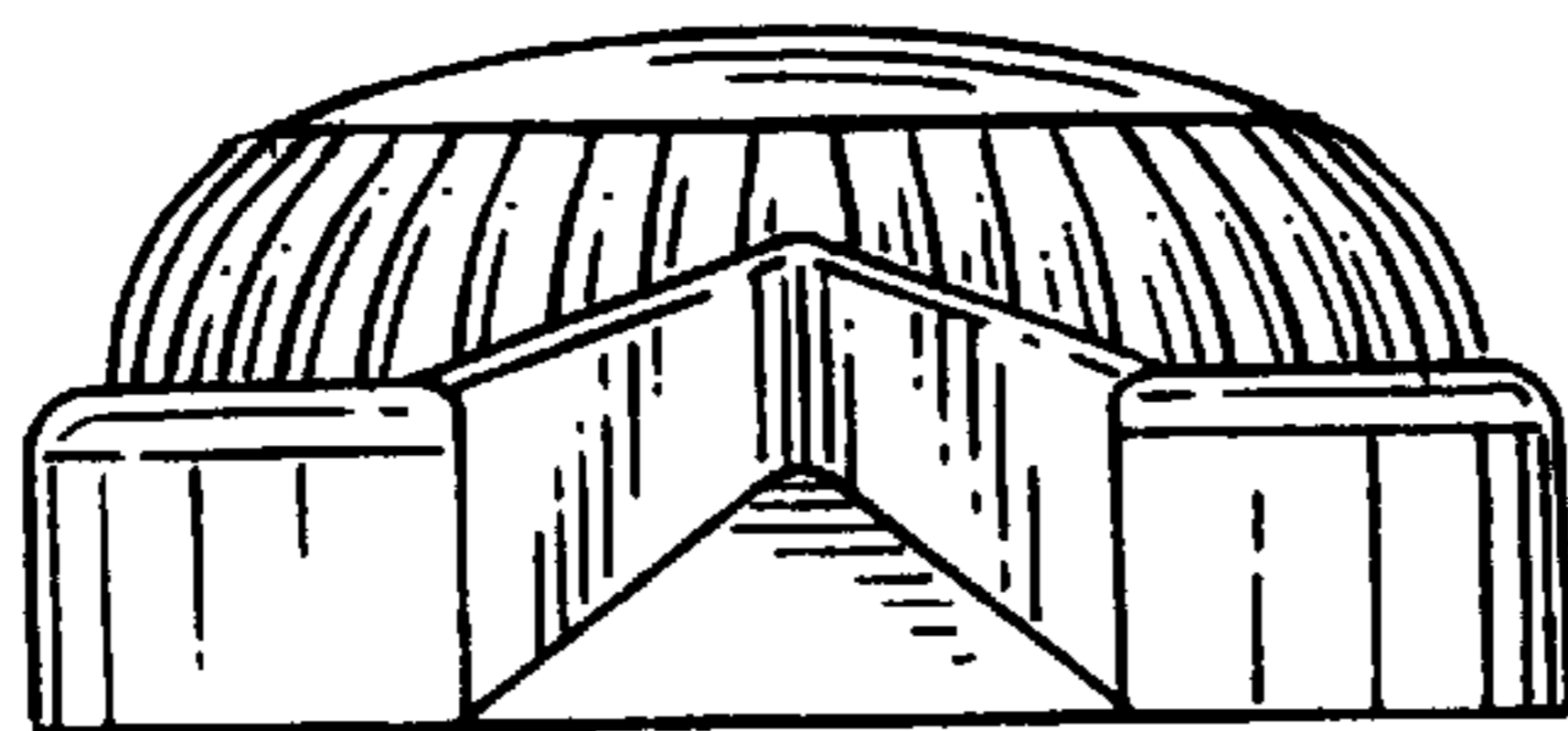


FIG. 8

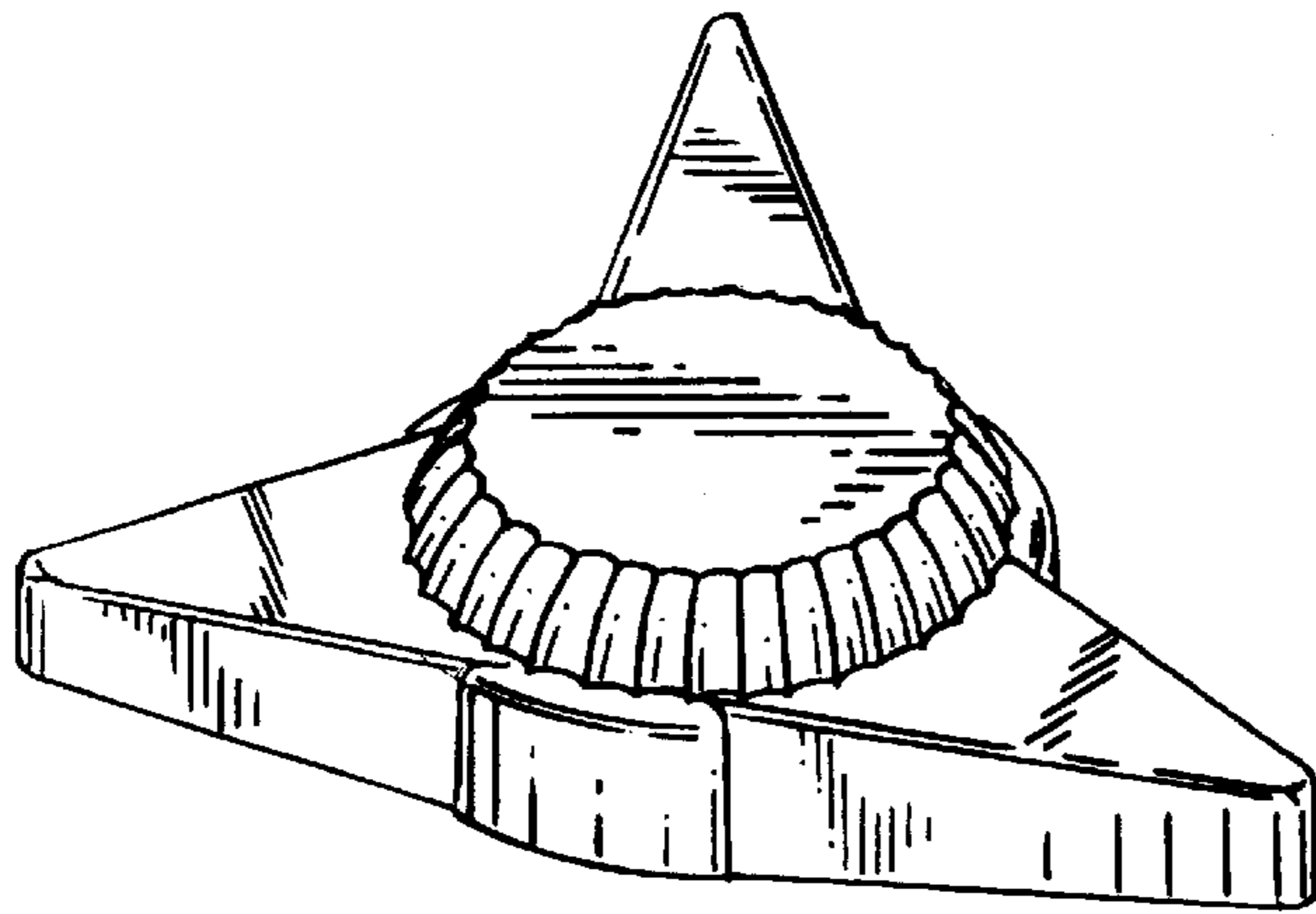


FIG. 9

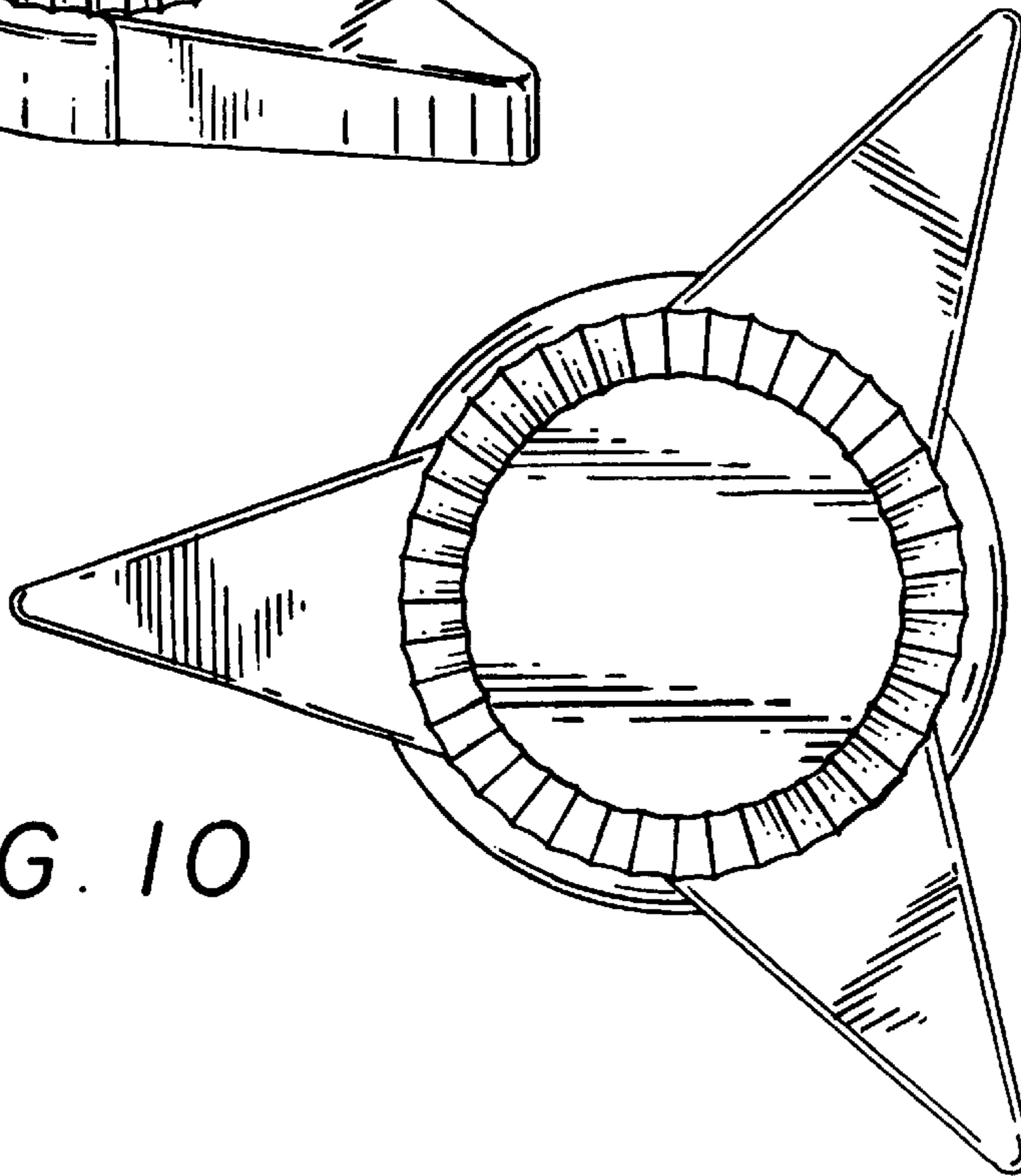


FIG. 10

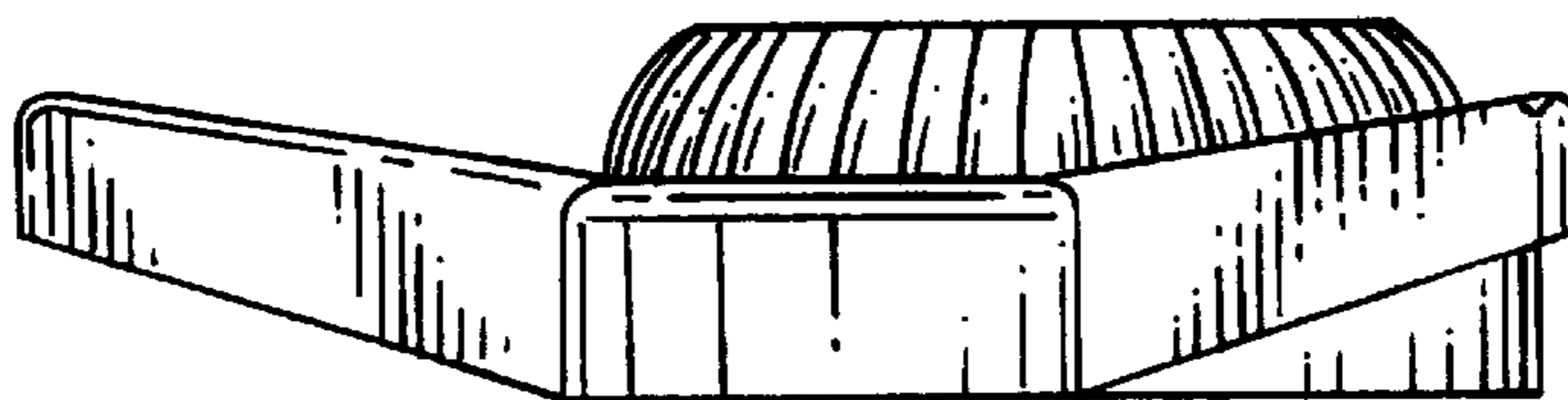


FIG. 11

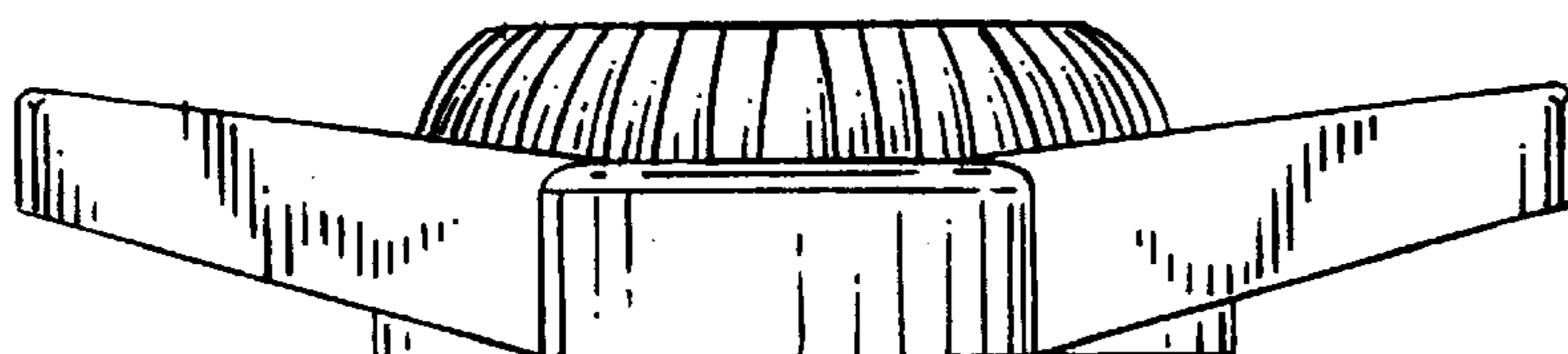


FIG. 12

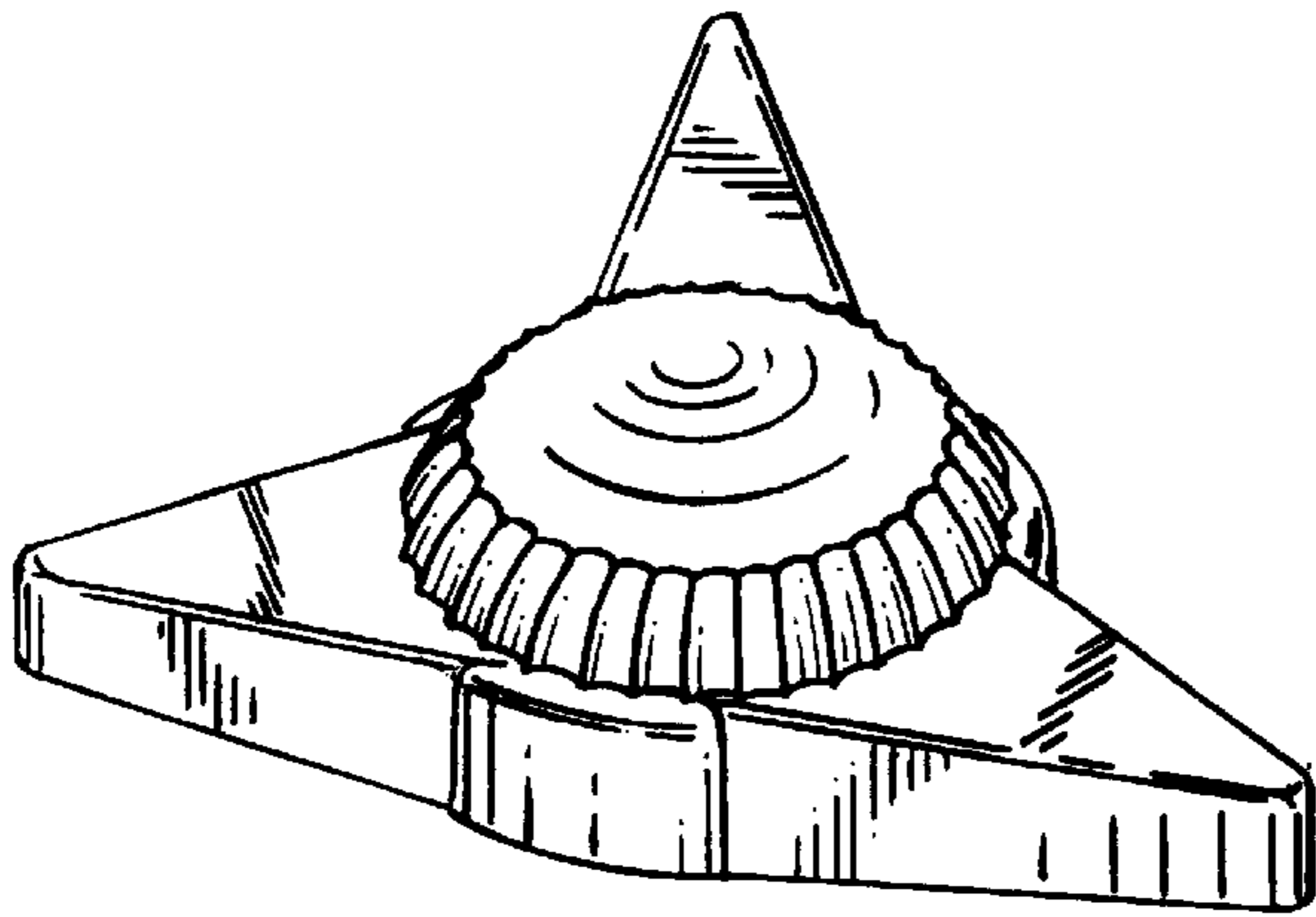


FIG. 13

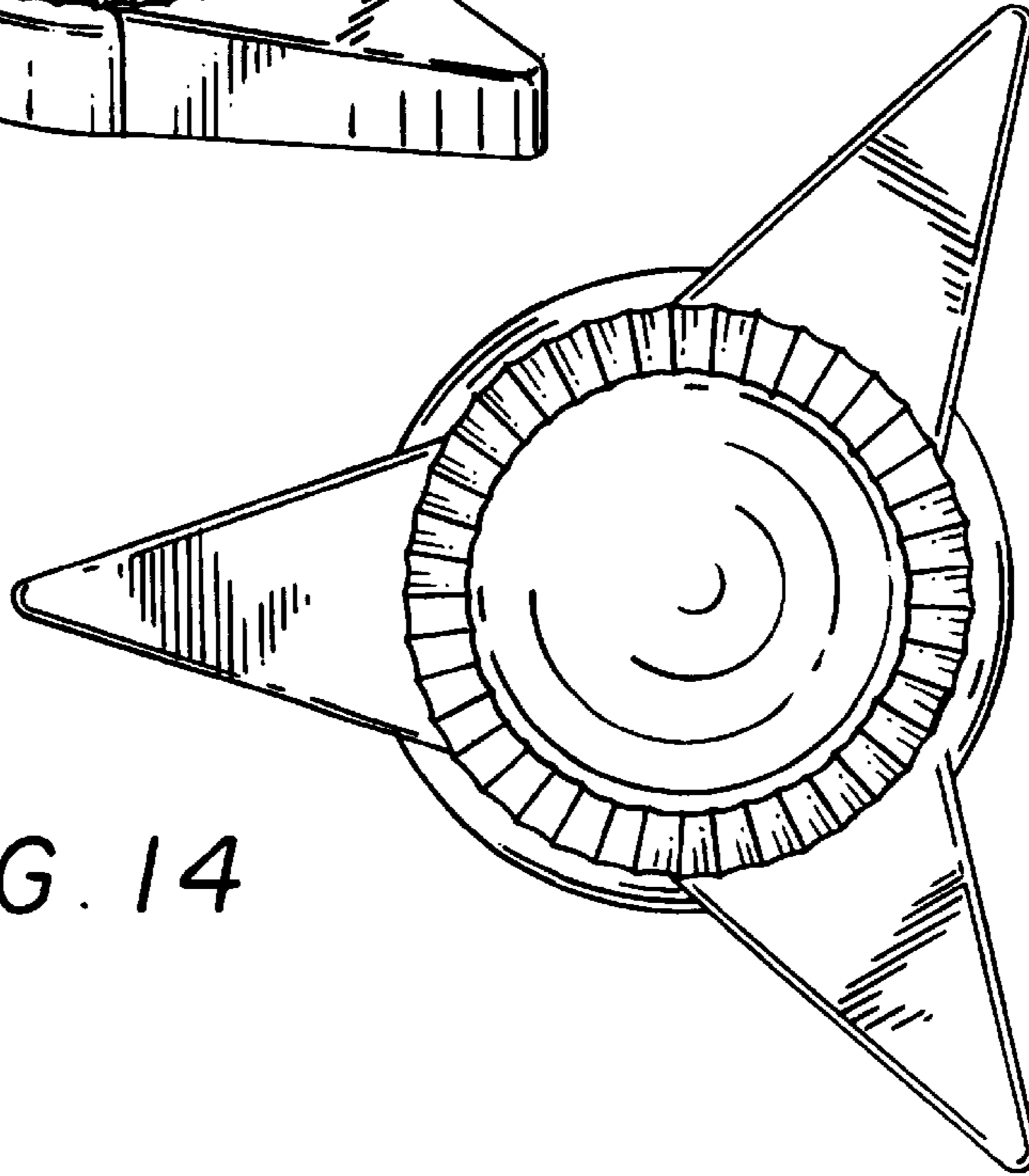


FIG. 14

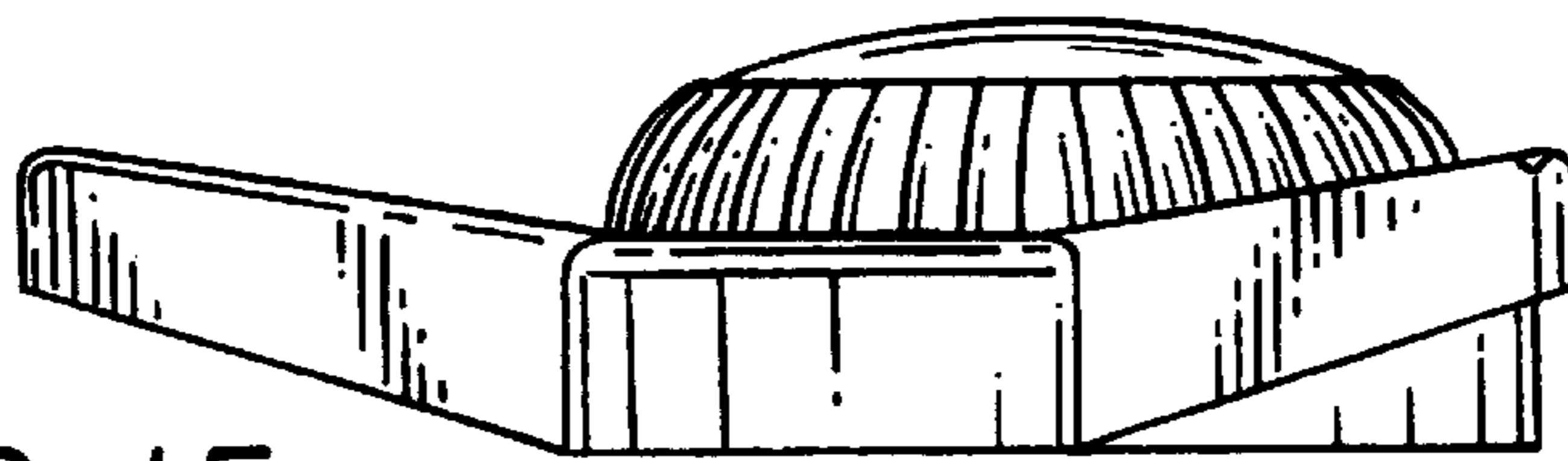


FIG. 15

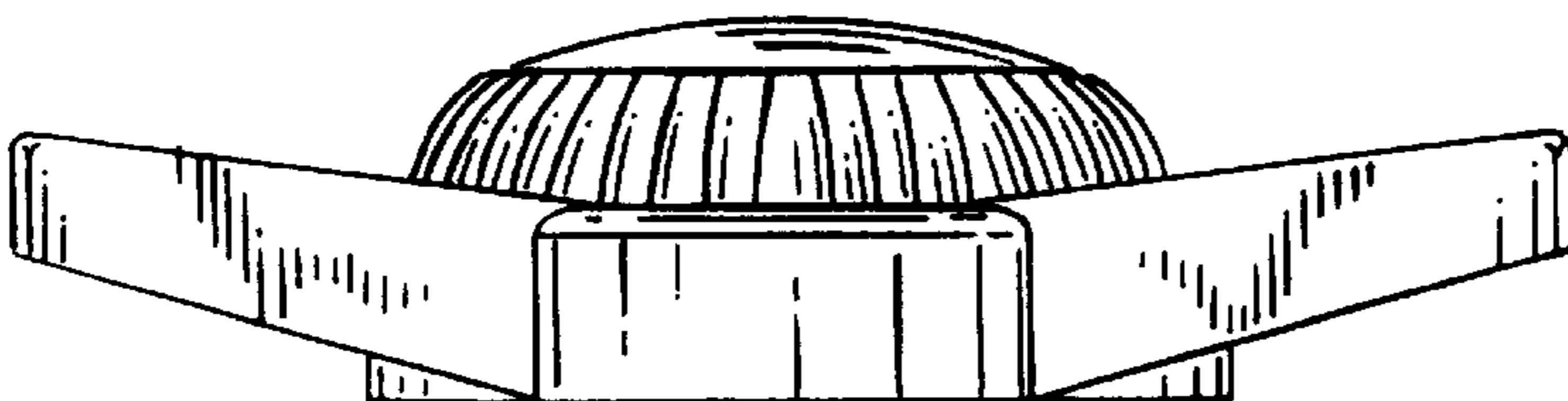


FIG. 16