



US00D424496S

United States Patent [19]

Damon et al.

[11] Patent Number: **Des. 424,496**

[45] Date of Patent: **** May 9, 2000**

[54] **EXTENDER PANEL FOR A TRUCK**

[75] Inventors: **Kenneth H. Damon**, Fort Worth; **Louis D. Heilaneh**; **Anthony M. Weiblen**, both of Lewisville, all of Tex.

[73] Assignee: **Paccar Inc**, Bellevue, Wash.

[**] Term: **14 Years**

[21] Appl. No.: **29/104,596**

[22] Filed: **May 6, 1999**

[51] **LOC (7) Cl.** **12-16**

[52] **U.S. Cl.** **D12/196**

[58] **Field of Search** D12/196, 96, 97; 296/190; 180/89.1, 89.11, 89.12

[56] **References Cited**

U.S. PATENT DOCUMENTS

D. 291,872	9/1987	Simons et al.	D12/96
D. 291,982	9/1987	Simons et al.	D12/96
D. 296,775	7/1988	Hatch et al.	D12/181
D. 305,746	1/1990	Allendorph	D12/96
D. 307,731	5/1990	Kerney et al.	D12/96
D. 308,032	5/1990	Kerney et al.	D12/96
D. 311,712	10/1990	Marlowe et al.	D12/96
D. 326,836	6/1992	Artman	D12/181
D. 332,769	1/1993	West	D12/181
D. 335,855	5/1993	Callaway et al.	D12/181
D. 340,025	10/1993	Brownlie et al.	D12/181
D. 374,418	10/1996	Griffin	D12/181
D. 384,914	10/1997	Bingaman	D12/97
D. 399,791	10/1998	Hellhake et al.	D12/96
D. 399,792	10/1998	Hellhake et al.	D12/96

D. 411,140	6/1999	Meryman et al.	D12/96
4,518,188	5/1985	Witten	296/280.2
4,750,772	6/1988	Haegert	296/280.2
4,775,179	10/1988	Riggs	296/180.2
4,883,307	11/1989	Hacker et al.	296/180.2
4,957,322	9/1990	Marlowe et al.	296/180.2
5,190,342	3/1993	Marlowe et al.	296/180.2
5,595,419	1/1997	Spears	296/180.2
5,658,038	8/1997	Griffin	296/180.2

Primary Examiner—Melody N. Brown
Attorney, Agent, or Firm—Sidley & Austin

[57] **CLAIM**

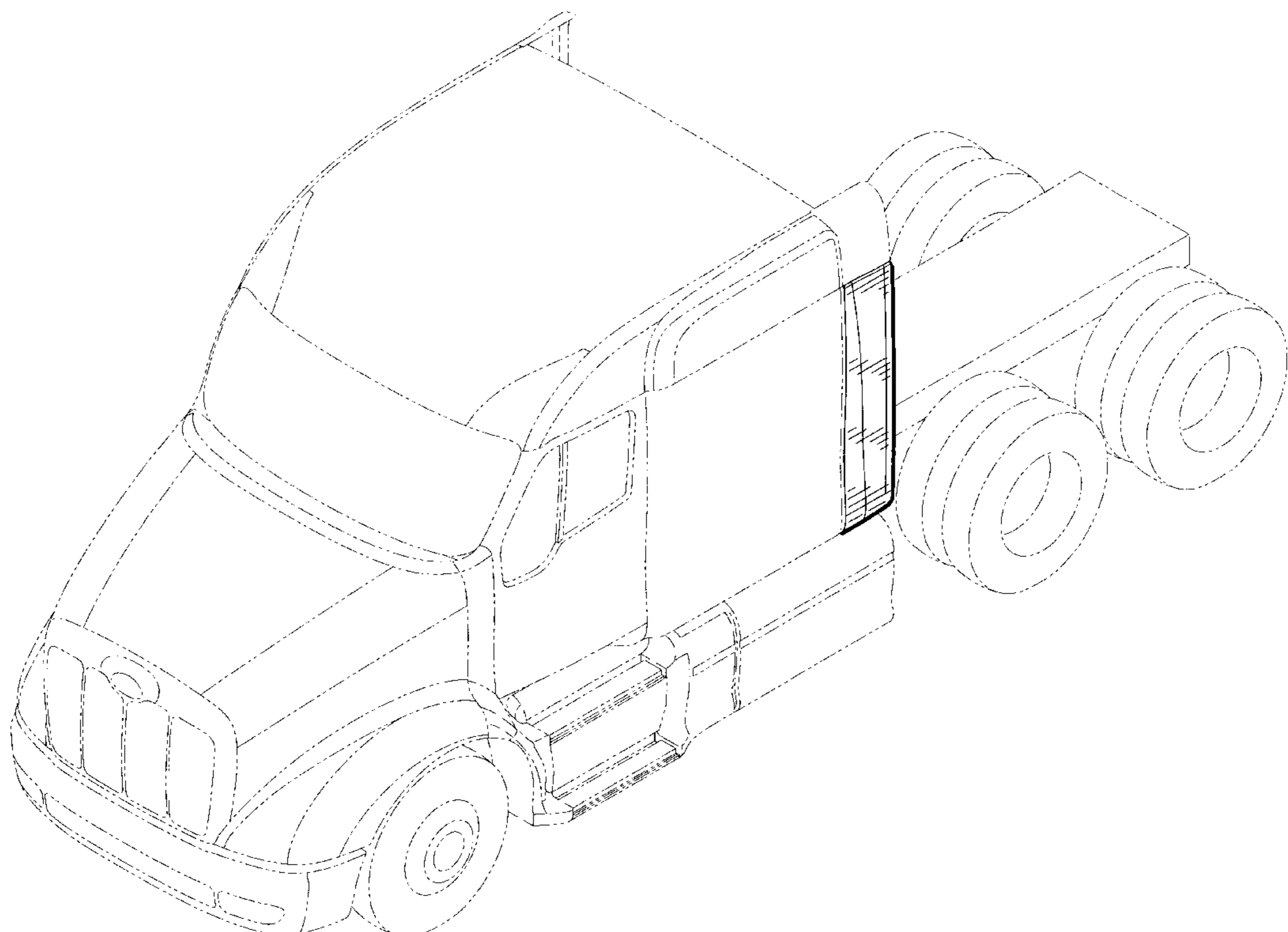
The ornamental design for an extender panel for a truck, as shown and described.

DESCRIPTION

FIG. 1 is a perspective view of our extender panel for a truck;
FIG. 2 is a left side view thereof;
FIG. 3 is a back view thereof;
FIG. 4 is a right side view thereof;
FIG. 5 is a front view thereof;
FIG. 6 is a top view thereof;
FIG. 7 is a bottom view thereof;
FIG. 8 is a reduced perspective view of our invention; and,
FIG. 9 is a reduced perspective view of a right side extender panel for a truck showing another embodiment of our novel design for the right side of a truck which is mirror symmetrical to the embodiment of FIGS. 1-8.

The broken line showing of adjacent truck parts is only for showing the surrounding environment and is not part of the claimed design.

1 Claim, 4 Drawing Sheets



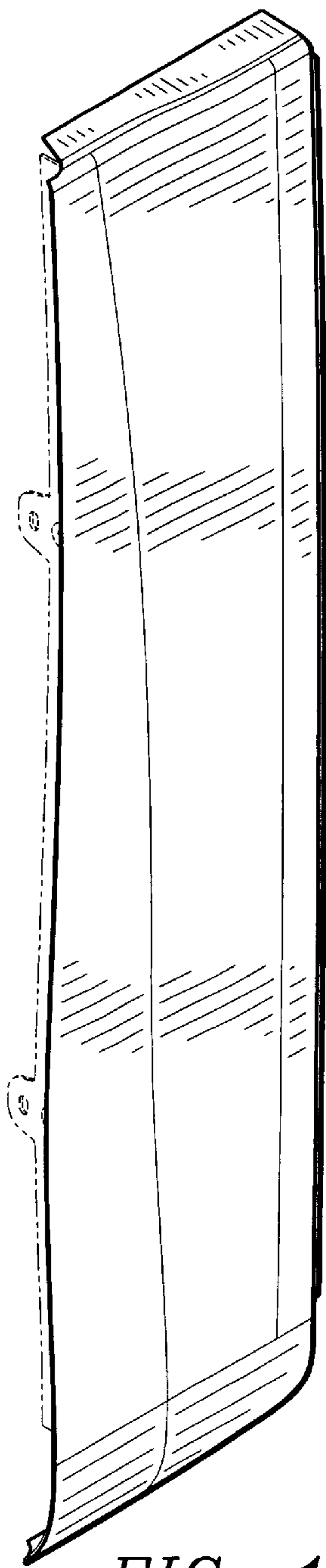


FIG. 1

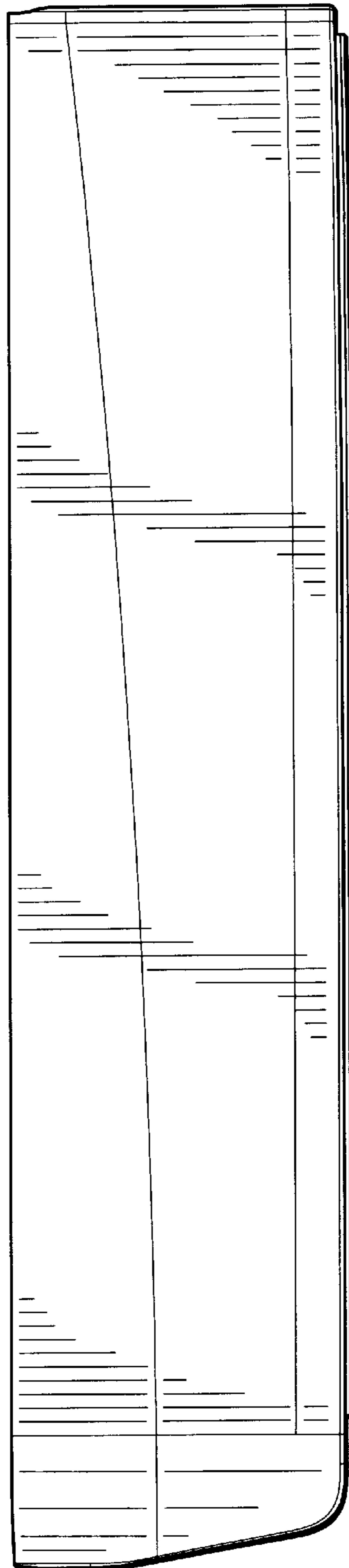


FIG. 2

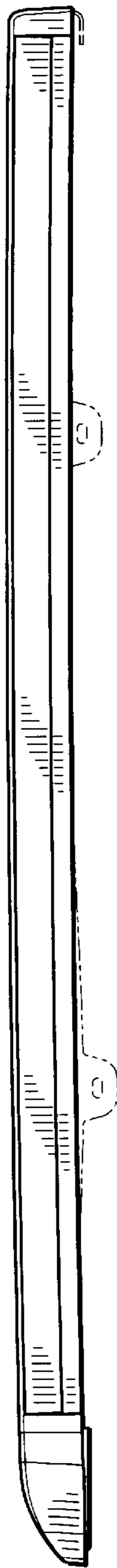


FIG. 3

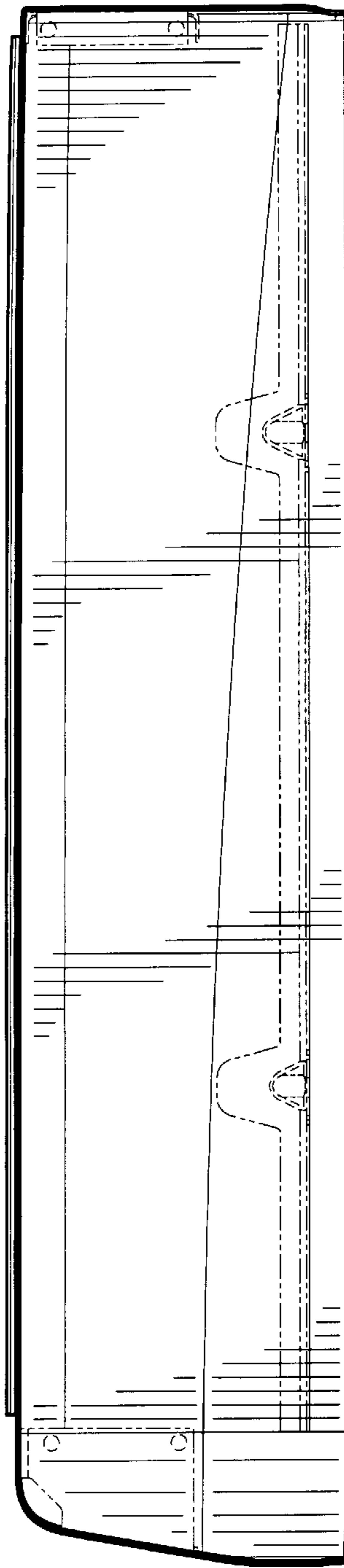


FIG. 4

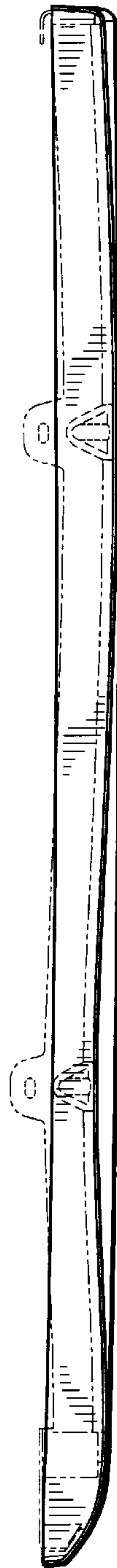


FIG. 5



FIG. 6

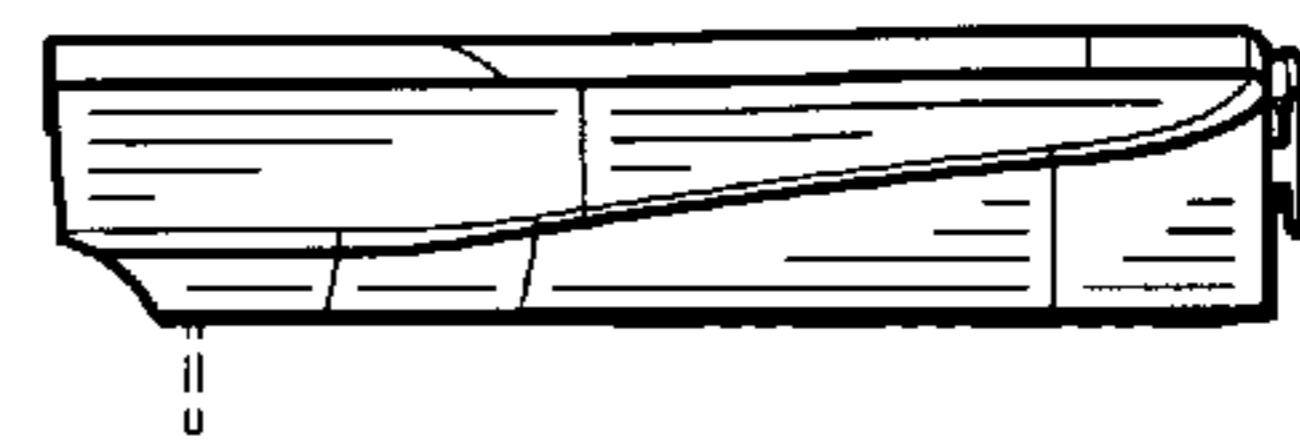


FIG. 7

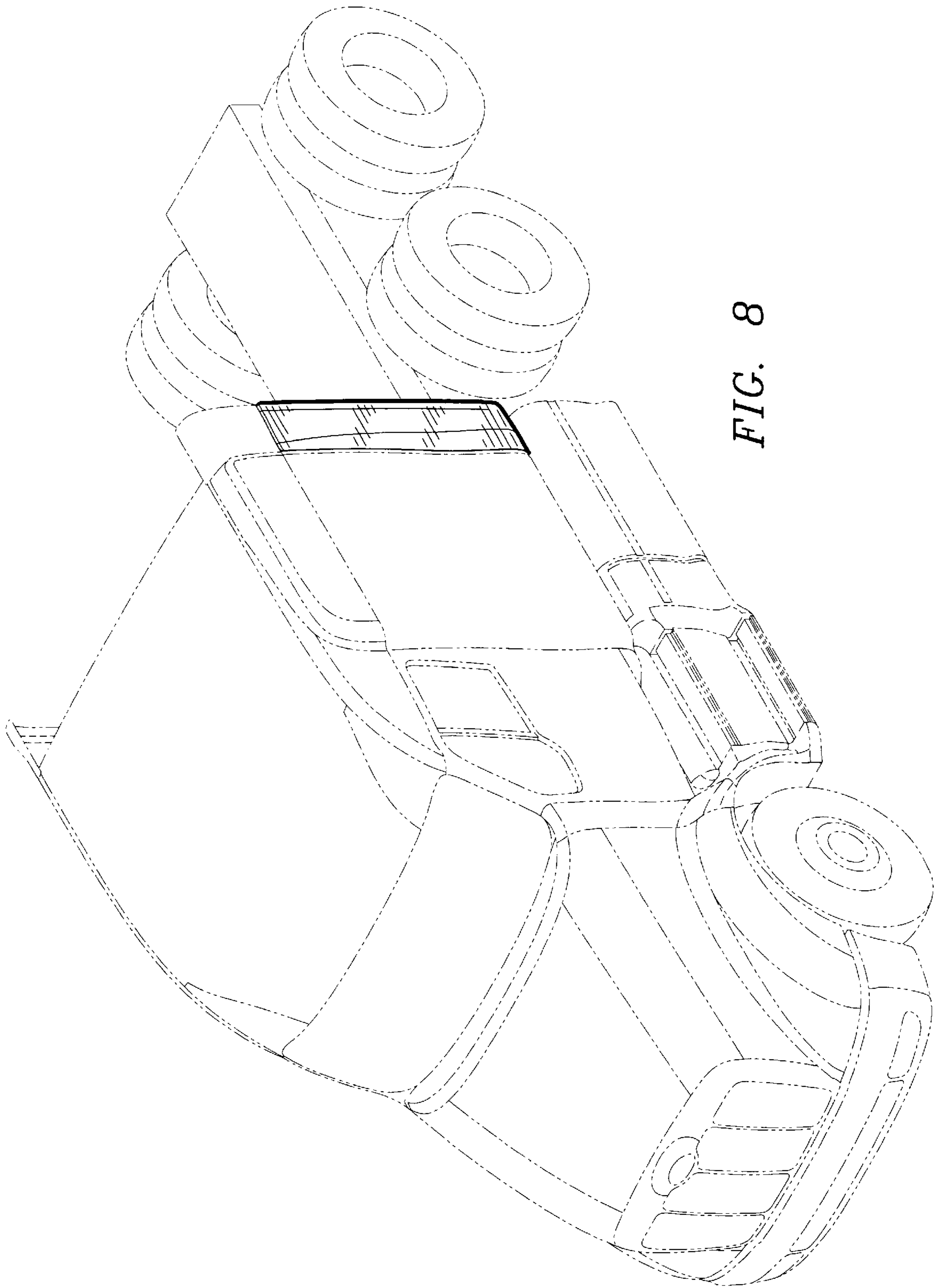


FIG. 8

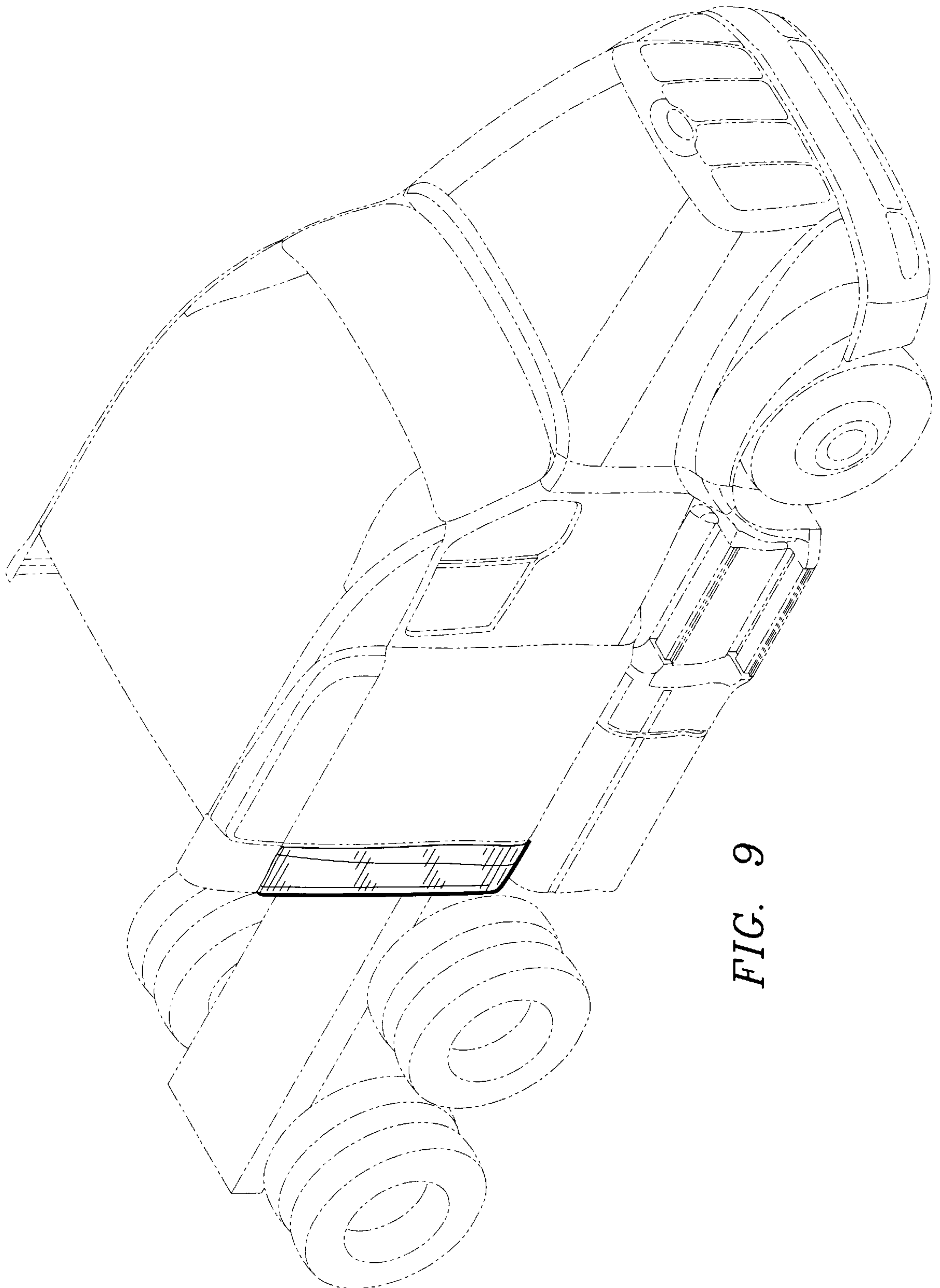


FIG. 9